



# Part 2 of 2



D  
I  
X  
O  
N

Uncommon Excellence™  
1916 - 2016



D  
P  
L  
1  
1  
6



The Right Connection®

# 2016

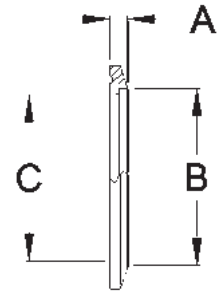
DIXONVALVE.COM  
877.963.4966

## Quick Weld Ferrules

### Features:

- 304 stainless construction
- just slip onto sanitary OD tube and weld
- butt weld is not needed

Tube OD	Dimensions			304 Stainless Steel	
	A	B	C	Part #	Price/E
1"	0.290"	1.005"	0.870"	<b>14QMP-G100</b>	<b>\$7.45</b>
1½"	0.199"	1.505"	1.370"	<b>14QMP-G150</b>	<b>7.45</b>
2"	0.205"	2.005"	1.870"	<b>14QMP-G200</b>	<b>9.50</b>
2½"	0.210"	2.505"	2.370"	<b>14QMP-G250</b>	<b>11.45</b>
3"	0.257"	3.005"	2.870"	<b>14QMP-G300</b>	<b>14.35</b>
4"	0.235"	4.005"	3.834"	<b>14QMP-G400</b>	<b>21.80</b>
6"	0.321"	6.005"	5.782"	<b>14QMP-G600</b>	<b>56.15</b>



## Breakaway Coupling - Clamp

### Applications:

- Minimizes spillage and damage associated with pull away and drive away incidents

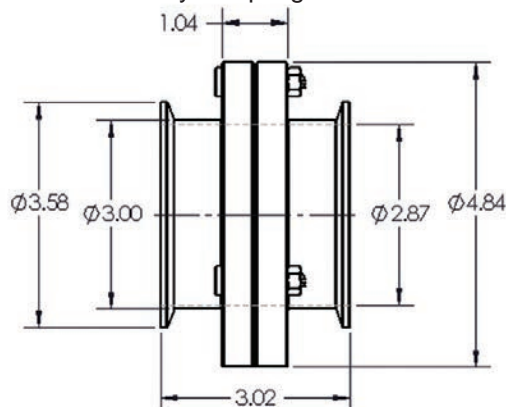
### Features:

- designed to be installed between a fixed point and a hose
- coupling breaks away with an excessive load
- EPDM standard clamp gasket
- working pressure: 350 PSI @ 70°F
- 13kN break load bolts standard, other break loads available
- 316 stainless steel polished to standard <math><32R\_a</math>, 3A finish
- other sizes, gaskets and connections available, contact Dixon™




Size	316 Stainless Steel	
	Part #	Price/E
3"	<b>SBC-E300CC13</b>	<b>\$613.80</b>

Breakaway Coupling Dimensions



## Clamp Gaskets

## Features:

Gasket materials approved by  (3A), and the USDA and complies with FDA's 21CFR177.2600 and 1550. PSI Service Ratings for the sanitary clamps DO NOT APPLY to connections (1" and above) using any PTFE gaskets, due to the potential for cold flow under normal operating conditions. PTFE gaskets, when used with any clamp, are likely to leak at pressures far below the published service ratings. This restriction does not apply to the fractionally sized 1/2" and 3/4" connections, due to their recessed, fully contained design.



Mini



Standard - type 1



Flanged - type 2

## Buna-N Clamp Gaskets - Black

Type 1 - Standard  
1/2" - 3/4"Type 1 - Standard  
1" and larger

## Features:

- color code: red dot
- meets 21CFR 177.2600

Size	Part #	Price/E
1/2"	<b>42MP-U50</b>	<b>\$1.70</b>
3/4"	<b>42MP-U75</b>	<b>2.60</b>
1"	<b>40MP-U100</b>	<b>0.85</b>
1 1/2"	<b>40MP-U150</b>	<b>0.70</b>
2"	<b>40MP-U200</b>	<b>0.85</b>
2 1/2"	<b>40MP-U250</b>	<b>0.90</b>
3"	<b>40MP-U300</b>	<b>1.05</b>
4"	<b>40MP-U400</b>	<b>1.75</b>
5"	<b>40MP-U500</b>	<b>8.60</b>
6"	<b>40MP-U600</b>	<b>19.00</b>
8"	<b>40MP-U800</b>	<b>27.30</b>

## Buna-N Clamp Gaskets - White

Type 1 - Standard  
1/2" - 3/4"Type 1 - Standard  
1" and larger

## Features:

- color code: red dot
- meets 21CFR 177.2600

Size	Part #	Price/E
1/2"	<b>42MP-UW50</b>	<b>\$2.80</b>
3/4"	<b>42MP-UW75</b>	<b>3.20</b>
1"	<b>40MP-UW100</b>	<b>1.50</b>
1 1/2"	<b>40MP-UW150</b>	<b>1.40</b>
2"	<b>40MP-UW200</b>	<b>1.65</b>
2 1/2"	<b>40MP-UW250</b>	<b>1.55</b>
3"	<b>40MP-UW300</b>	<b>1.75</b>
4"	<b>40MP-UW400</b>	<b>3.20</b>
6"	<b>40MP-UW600</b>	<b>31.35</b>

## EPDM Clamp Gaskets - Black

Type 1 - Standard  
1/2" - 3/4"Type 1 - Standard  
1" and larger

## Features:

- color code: three green dots
- peroxide cured
- meets 21CFR 177.2600
- passed USP Class VI Cytotoxicity testing

Size	Part #	Price/E
1/2"	<b>42MP-E50</b>	<b>\$2.15</b>
3/4"	<b>42MP-E75</b>	<b>2.45</b>
1"	<b>40MP-E100</b>	<b>2.15</b>
1 1/2"	<b>40MP-E150</b>	<b>2.05</b>
2"	<b>40MP-E200</b>	<b>2.15</b>
2 1/2"	<b>40MP-E250</b>	<b>2.75</b>
3"	<b>40MP-E300</b>	<b>3.20</b>
4"	<b>40MP-E400</b>	<b>3.45</b>
6"	<b>40MP-E600</b>	<b>20.65</b>

## FKM Clamp Gaskets - Black

Type 1 - Standard  
1/2" - 3/4"Type 1 - Standard  
1" and larger

## Features:

- color code: one white dot, one yellow dot
- peroxide cured
- meets 21CFR 177.2600
- passed USP Class VI Cytotoxicity testing

Size	Part #	Price/E
1/2"	<b>42MP-SFY50</b>	<b>\$5.65</b>
3/4"	<b>42MP-SFY75</b>	<b>6.00</b>
1"	<b>40MP-SFY100</b>	<b>6.00</b>
1 1/2"	<b>40MP-SFY150</b>	<b>4.45</b>
2"	<b>40MP-SFY200</b>	<b>4.70</b>
2 1/2"	<b>40MP-SFY250</b>	<b>8.30</b>
3"	<b>40MP-SFY300</b>	<b>11.35</b>
4"	<b>40MP-SFY400</b>	<b>15.50</b>
6"	<b>40MP-SFY600</b>	<b>56.05</b>

See pages 471-472 for sizing charts.

## Clamp Gaskets

Silicone Clamp Gaskets - *White*

Size	Part #	Price/E
1/2"	<b>42MP-XW50</b>	<b>\$2.95</b>
3/4"	<b>42MP-XW75</b>	<b>3.25</b>
1"	<b>40MP-XW100</b>	<b>3.20</b>
1 1/2"	<b>40MP-XW150</b>	<b>2.70</b>
2"	<b>40MP-XW200</b>	<b>3.20</b>
2 1/2"	<b>40MP-XW250</b>	<b>4.30</b>
3"	<b>40MP-XW300</b>	<b>4.65</b>
4"	<b>40MP-XW400</b>	<b>5.65</b>
6"	<b>40MP-XW600</b>	<b>37.80</b>

Type 1 - Standard  
1/2" - 3/4"Type 1 - Standard  
1" and larger**Features:**

- color code: pink dot
- peroxide cured
- meets 21CFR 177.2600
- passed USP Class VI Cytotoxicity testing

Silicone Clamp Gaskets - *Clear*

Size	Part #	Price/E
1/2"	<b>42MP-XC50</b>	<b>\$2.95</b>
3/4"	<b>42MP-XC75</b>	<b>3.25</b>
1"	<b>40MP-XC100</b>	<b>4.30</b>
1 1/2"	<b>40MP-XC150</b>	<b>4.30</b>
2"	<b>40MP-XC200</b>	<b>4.45</b>
2 1/2"	<b>40MP-XC250</b>	<b>5.25</b>
3"	<b>40MP-XC300</b>	<b>6.00</b>
4"	<b>40MP-XC400</b>	<b>8.30</b>

Type 1 - Standard  
1/2" - 3/4"Type 1 - Standard  
1" and larger**Features:**

- color code: no dot
- peroxide cured
- meets 21CFR 177.2600

PTFE Clamp Gaskets - *White*

Size	Part #	Price/E
1/2"	<b>42MP-G50</b>	<b>\$3.20</b>
3/4"	<b>42MP-G75</b>	<b>2.95</b>
1"	<b>40MP-G100</b>	<b>2.80</b>
1 1/2"	<b>40MP-G150</b>	<b>2.00</b>
2"	<b>40MP-G200</b>	<b>2.45</b>
2 1/2"	<b>40MP-G250</b>	<b>3.25</b>
3"	<b>40MP-G300</b>	<b>3.25</b>
4"	<b>40MP-G400</b>	<b>9.45</b>
5"	<b>40MP-G500</b>	<b>76.45</b>
6"	<b>40MP-G600</b>	<b>42.05</b>
8"	<b>40MP-G800</b>	<b>72.30</b>
10"	<b>40MP-G1000</b>	<b>86.20</b>
12"	<b>40MP-G1200</b>	<b>235.45</b>

Type 1 - Standard  
1/2" - 3/4"Type 1 - Standard  
1" and larger**Features:**

- color code: no dot
- meets 21CFR 177.1550
- passed USP Class VI Cytotoxicity testing
- not recommended for use with bolted clamps



PTFE is a material subject to plastic flow. When cycled through heat and then cooled down in process lines, PTFE gaskets will not return to the original configuration and it will continue to compress as the cycling continues. This plastic flow will allow leakage if clamp torques are not maintained.

See pages 471-472 for sizing charts.

## Metal Detectable Clamp Gaskets

**Feature:**

- impregnated with stainless steel particles which allows a gasket or gasket pieces to be found with metal detection equipment

### Buna-N Metal Detectable Clamp Gaskets



Type 1 - Standard  
1" and larger

**Features:**

- good general use where temperature extremes do not exist
- minimum temperature: **-20°F**
- maximum temperature: **212°F**

Size	Part #	Price/E
1"	<b>40MP-UZ100</b>	<b>\$3.65</b>
1½"	<b>40MP-UZ150</b>	<b>3.35</b>
2"	<b>40MP-UZ200</b>	<b>3.60</b>
2½"	<b>40MP-UZ250</b>	<b>5.80</b>
3"	<b>40MP-UZ300</b>	<b>6.05</b>
4"	<b>40MP-UZ400</b>	<b>6.60</b>

### EPDM Metal Detectable Clamp Gaskets



Type 1 - Standard  
1" and larger

**Features:**

- resistant to steam, water and base solutions
- minimum temperature: **-70°F**
- maximum temperature: **310°F**

Size	Part #	Price/E
1"	<b>40MP-EZ100</b>	<b>\$5.00</b>
1½"	<b>40MP-EZ150</b>	<b>4.85</b>
2"	<b>40MP-EZ200</b>	<b>5.10</b>
2½"	<b>40MP-EZ250</b>	<b>6.60</b>
3"	<b>40MP-EZ300</b>	<b>7.30</b>
4"	<b>40MP-EZ400</b>	<b>9.65</b>

### FKM Metal Detectable Clamp Gaskets



Type 1 - Standard  
1" and larger

**Features:**

- resistant to steam, heat and high acid solutions
- minimum temperature: **-20°F**
- maximum temperature: **410°F**

Size	Part #	Price/E
1"	<b>40MP-SFYZ100</b>	<b>\$11.15</b>
1½"	<b>40MP-SFYZ150</b>	<b>11.55</b>
2"	<b>40MP-SFYZ200</b>	<b>11.20</b>
2½"	<b>40MP-SFYZ250</b>	<b>19.90</b>
3"	<b>40MP-SFYZ300</b>	<b>22.80</b>
4"	<b>40MP-SFYZ400</b>	<b>29.00</b>

See pages 471-472 for sizing charts.

## Clamp Gaskets

### Buna-N Flanged Clamp Gaskets - *Black*

Size	Part #	Price/E
1"	<b>40MPF-U100</b>	<b>\$2.00</b>
1½"	<b>40MPF-U150</b>	<b>1.75</b>
2"	<b>40MPF-U200</b>	<b>2.00</b>
2½"	<b>40MPF-U250</b>	<b>2.45</b>
3"	<b>40MPF-U300</b>	<b>3.25</b>
4"	<b>40MPF-U400</b>	<b>4.45</b>
6"	<b>40MPF-U600</b>	<b>27.35</b>
8"	<b>40MPF-U800</b>	<b>44.00</b>
10"	<b>40MPF-U1000</b>	<b>78.90</b>
12"	<b>40MPF-U1200</b>	<b>96.15</b>

Type 2 - Flanged  
1" and larger**Features:**

- color code: red dot
- meets 21CFR 177.2600
- not recommended for use with bolted clamps

### Buna-N Flanged Clamp Gaskets - *White*

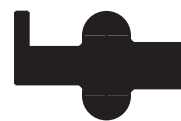
Size	Part #	Price/E
1"	<b>40MPF-UW100</b>	<b>\$3.10</b>
1½"	<b>40MPF-UW150</b>	<b>2.45</b>
2"	<b>40MPF-UW200</b>	<b>2.70</b>
2½"	<b>40MPF-UW250</b>	<b>4.70</b>
3"	<b>40MPF-UW300</b>	<b>4.70</b>
4"	<b>40MPF-UW400</b>	<b>6.40</b>
6"	<b>40MPF-UW600</b>	<b>36.45</b>

Type 2 - Flanged  
1" and larger**Features:**

- color code: red dot
- meets 21CFR 177.2600
- not recommended for use with bolted clamps

### EPDM Flanged Clamp Gaskets - *Black*

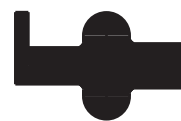
Size	Part #	Price/E
1"	<b>40MPF-E100</b>	<b>\$3.55</b>
1½"	<b>40MPF-E150</b>	<b>3.25</b>
2"	<b>40MPF-E200</b>	<b>3.60</b>
2½"	<b>40MPF-E250</b>	<b>5.30</b>
3"	<b>40MPF-E300</b>	<b>6.20</b>
4"	<b>40MPF-E400</b>	<b>6.25</b>
6"	<b>40MPF-E600</b>	<b>43.60</b>
8"	<b>40MPF-E800</b>	<b>63.30</b>
10"	<b>40MPF-E1000</b>	<b>69.10</b>
12"	<b>40MPF-E1200</b>	<b>79.70</b>

Type 2 - Flanged  
1" and larger**Features:**

- color code: three green dots
- peroxide cured
- meets 21CFR 177.2600
- passed USP Class VI Cytotoxicity testing
- not recommended for use with bolted clamps

### FKM Flanged Clamp Gaskets - *Black*

Size	Part #	Price/E
1"	<b>40MPF-SFY100</b>	<b>\$11.20</b>
1½"	<b>40MPF-SFY150</b>	<b>8.30</b>
2"	<b>40MPF-SFY200</b>	<b>9.60</b>
2½"	<b>40MPF-SFY250</b>	<b>17.95</b>
3"	<b>40MPF-SFY300</b>	<b>18.75</b>
4"	<b>40MPF-SFY400</b>	<b>21.70</b>
6"	<b>40MPF-SFY600</b>	<b>65.30</b>
8"	<b>40MPF-SFY800</b>	<b>108.80</b>
10"	<b>40MPF-SFY1000</b>	<b>136.75</b>
12"	<b>40MPF-SFY1200</b>	<b>141.55</b>

Type 2 - Flanged  
1" and larger**Features:**

- color code: one white dot, one yellow dot
- peroxide cured
- meets 21CFR 177.2600
- passed USP Class VI Cytotoxicity testing
- not recommended for use with bolted clamps

See pages 471-472 for sizing charts.

## Clamp Gaskets

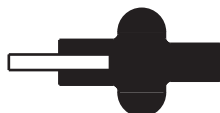
### Silicone Flanged Clamp Gaskets - White

Type 2 - Flanged  
1" and larger**Features:**

- color code: pink dot
- peroxide cured
- meets 21CFR 177.2600
- passed USP Class VI Cytotoxicity testing
- not recommended for use with bolted clamps

Size	Part #	Price/E
1"	<b>40MPF-XW100</b>	<b>\$4.65</b>
1½"	<b>40MPF-XW150</b>	<b>4.85</b>
2"	<b>40MPF-XW200</b>	<b>4.85</b>
2½"	<b>40MPF-XW250</b>	<b>5.85</b>
3"	<b>40MPF-XW300</b>	<b>7.00</b>
4"	<b>40MPF-XW400</b>	<b>9.25</b>
6"	<b>40MPF-XW600</b>	<b>49.65</b>
8"	<b>40MPF-XW800</b>	<b>61.70</b>
10"	<b>40MPF-XW1000</b>	<b>76.90</b>
12"	<b>40MPF-XW1200</b>	<b>79.10</b>

### Buna-N Mesh Screen Clamp Gasket, 316



Type 3 - Mesh

**Features:**

- color code: red dot
- meets 21CFR 177.2600
- 10 mesh standard, other mesh available-call for details

Size	Part #	Price/E
1"	<b>40MPS-U100</b>	<b>\$48.20</b>
1½"	<b>40MPS-U150</b>	<b>42.45</b>
2"	<b>40MPS-U200</b>	<b>45.40</b>
2½"	<b>40MPS-U250</b>	<b>60.25</b>
3"	<b>40MPS-U300</b>	<b>69.35</b>
4"	<b>40MPS-U400</b>	<b>108.40</b>

### PTFE Envelope Clamp Gaskets with EPDM Filler

**Features:**

- color code: usually not marked
- peroxide cured EPDM
- meets 21CFR 177.1550
- PTFE passed USP Class VI Cytotoxicity testing

Size	Part #	Price/E
½"	<b>42MP-GRE50</b>	<b>\$15.30</b>
1"	<b>40MP-GRE100</b>	<b>8.25</b>
1½"	<b>40MP-GRE150</b>	<b>7.45</b>
2"	<b>40MP-GRE200</b>	<b>7.85</b>
2½"	<b>40MP-GRE250</b>	<b>10.05</b>
3"	<b>40MP-GRE300</b>	<b>11.05</b>
4"	<b>40MP-GRE400</b>	<b>20.40</b>
6"	<b>40MP-GRE600</b>	<b>71.30</b>



PTFE is a material subject to plastic flow. When cycled through heat and then cooled down in process lines, PTFE gaskets will not return to the original configuration and it will continue to compress as the cycling continues. This plastic flow will allow leakage if clamp torques are not maintained.

### PTFE Envelope Clamp Gaskets with FKM Filler

**Features:**

- color code: FKM usually not marked
- peroxide cured FKM
- meets 21CFR 177.1550
- PTFE passed USP Class VI Cytotoxicity testing

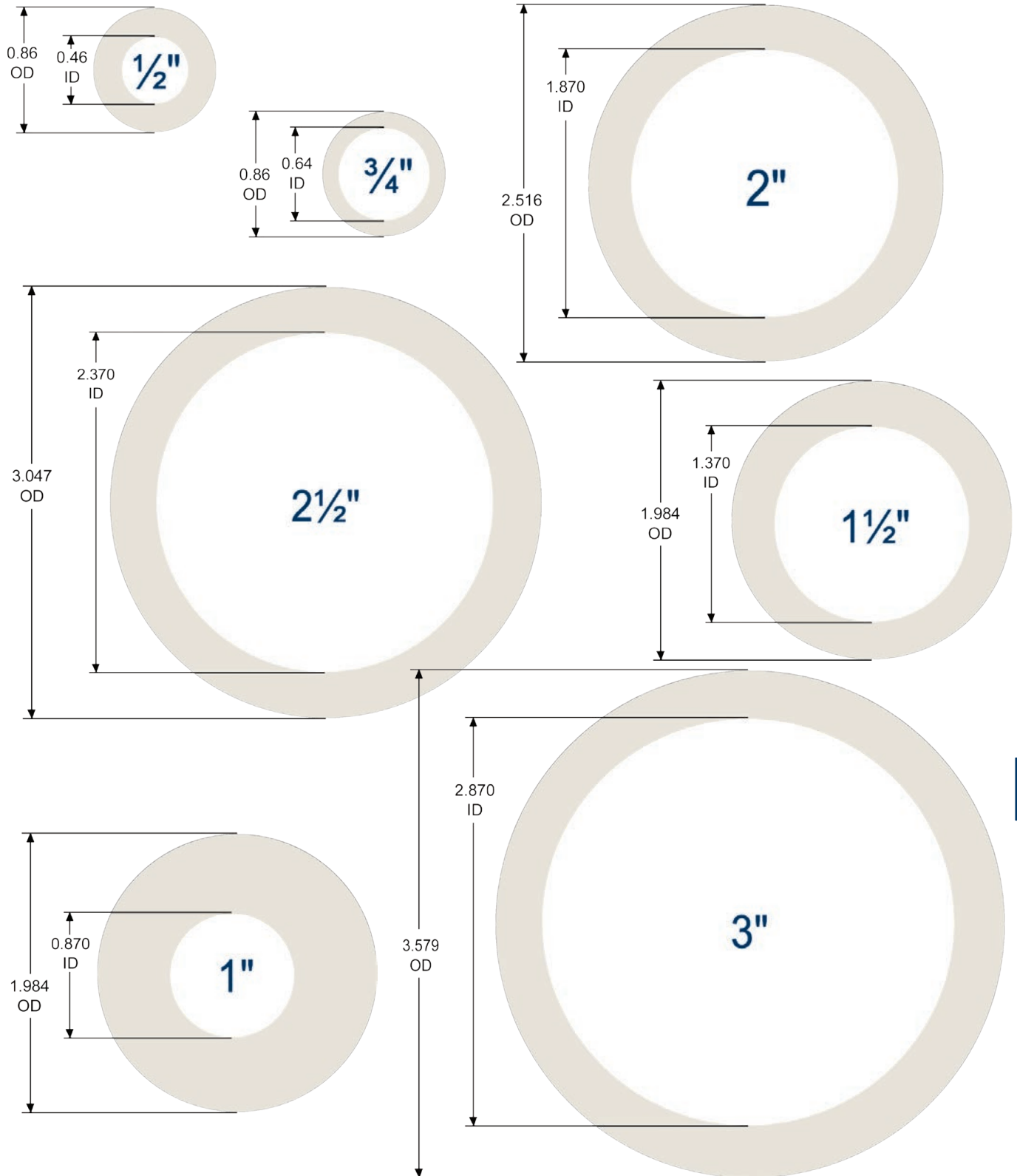
Size	Part #	Price/E
1"	<b>40MP-GR100</b>	<b>\$7.50</b>
1½"	<b>40MP-GR150</b>	<b>7.45</b>
2"	<b>40MP-GR200</b>	<b>8.45</b>
2½"	<b>40MP-GR250</b>	<b>11.10</b>
3"	<b>40MP-GR300</b>	<b>11.75</b>
4"	<b>40MP-GR400</b>	<b>18.50</b>
6"	<b>40MP-GR600</b>	<b>89.85</b>



PTFE is a material subject to plastic flow. When cycled through heat and then cooled down in process lines, PTFE gaskets will not return to the original configuration and it will continue to compress as the cycling continues. This plastic flow will allow leakage if clamp torques are not maintained.

See pages 471-472 for sizing charts.

## Clamp Fittings and Gasket Sizing Guide

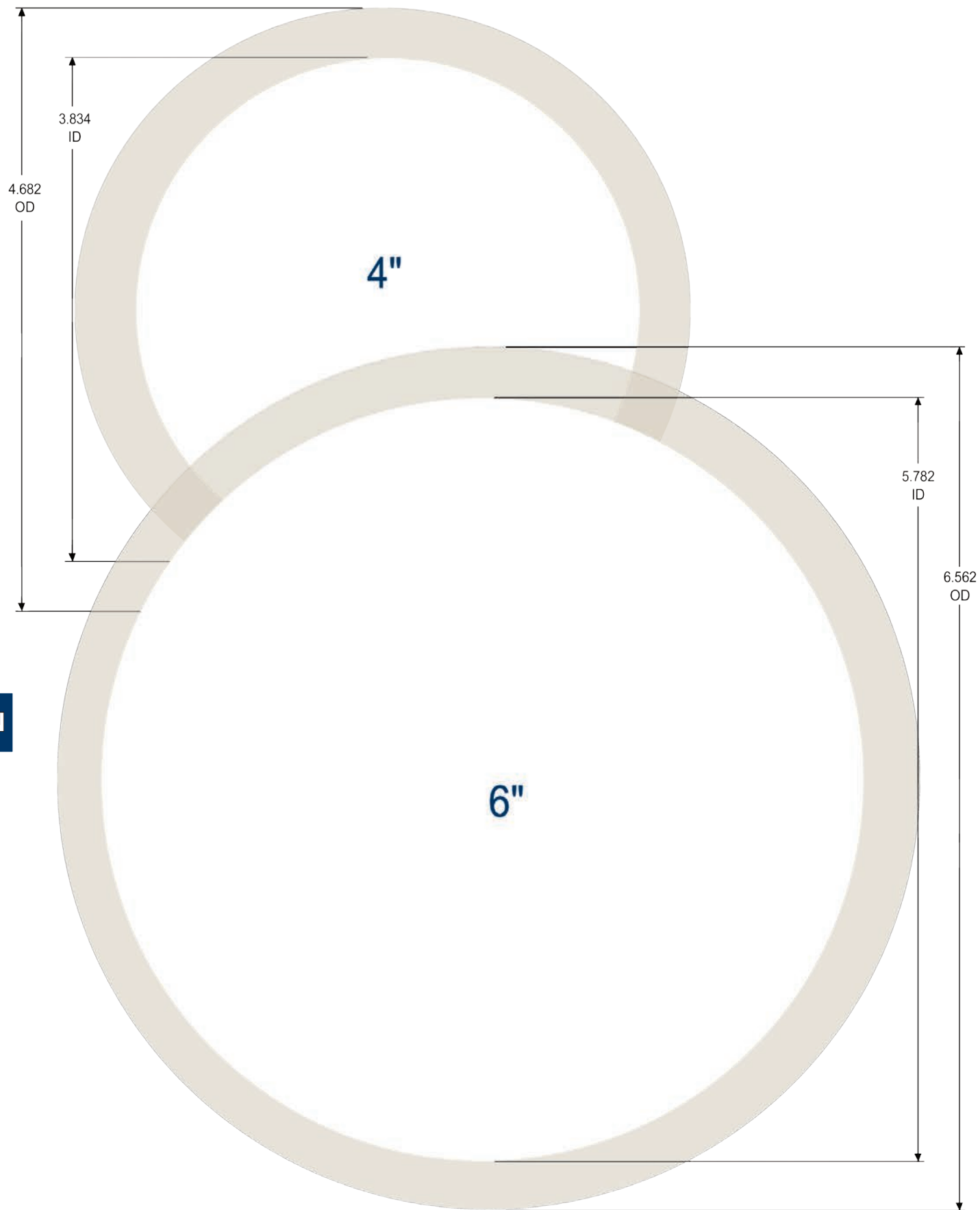


N

Sanitary Size	OD of Clamp End	ID of Fitting	Sanitary Size	OD of Clamp End	ID of Fitting
1/2"	0.992	0.370	3"	3.579	2.870
3/4"	0.992	0.620	4"	4.682	3.834
1"	1.984	0.870	6"	6.562	5.782
1 1/2"	1.984	1.370	8"	8.602	7.782
2"	2.516	1.870	10"	10.570	9.782
2 1/2"	3.047	2.370	12"	12.570	11.760



# Clamp Fittings and Gasket Sizing Guide



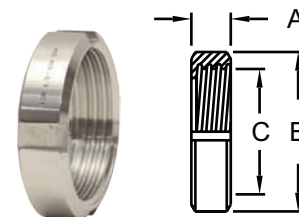
N



## European Fittings DIN 11851

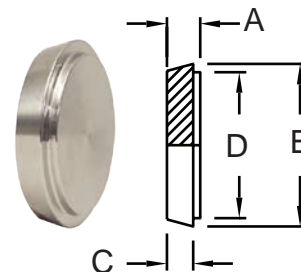
### DIN Round Nuts - 13R

Tube OD	DN Size	Dimensions			304 Stainless Steel	
		A	B	C	Part #	Price/E
1"	25	.83"	2.48"	2.05"	<b>13R-G100DIN</b>	<b>\$36.65</b>
1½"	40	.83"	3.07"	2.56"	<b>13R-G150DIN</b>	<b>45.65</b>
2"	50	.87"	3.62"	3.07"	<b>13R-G200DIN</b>	<b>58.40</b>
2½"	65	.98"	4.41"	3.74"	<b>13R-G250DIN</b>	<b>79.05</b>
3"	80	1.14"	5.00"	4.33"	<b>13R-G300DIN</b>	<b>121.40</b>
4"	100	1.22"	5.83"	5.12"	<b>13R-G400DIN</b>	<b>141.70</b>



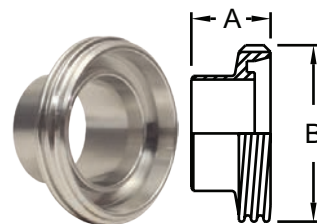
### DIN Blank Caps - 16AMP

Tube OD	DN Size	Dimensions				316 Stainless Steel	
		A	B	C	D	Part #	Price/E
1"	25	.51"	1.73"	.39"	1.38"	<b>16AMP-R100DIN</b>	<b>\$29.05</b>
1½"	40	.51"	2.20"	.39"	1.89"	<b>16AMP-R150DIN</b>	<b>47.40</b>
2"	50	.55"	2.68"	.43"	2.40"	<b>16AMP-R200DIN</b>	<b>67.55</b>
2½"	65	.63"	3.39"	.47"	3.11"	<b>16AMP-R250DIN</b>	<b>119.65</b>
3"	80	.63"	3.94"	.47"	3.66"	<b>16AMP-R300DIN</b>	<b>147.50</b>
4"	100	.79"	4.76"	.59"	4.49"	<b>16AMP-R400DIN</b>	<b>245.55</b>



### DIN Welding Males - 15A

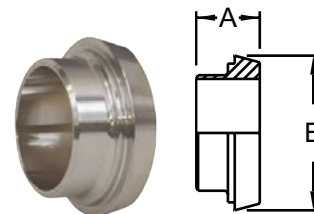
Tube OD	DN Size	Dimensions		316 Stainless Steel	
		A	B	Part #	Price/E
1"	25	1.14"	2.04"	<b>15A-R100DIN</b>	<b>\$35.05</b>
1½"	40	1.30"	2.55"	<b>15A-R150DIN</b>	<b>48.90</b>
2"	50	1.38"	3.07"	<b>15A-R200DIN</b>	<b>60.10</b>
2½"	65	1.57"	3.74"	<b>15A-R250DIN</b>	<b>94.50</b>
3"	80	1.77"	4.31"	<b>15A-R300DIN</b>	<b>146.85</b>
4"	100	2.13"	5.12"	<b>15A-R400DIN</b>	<b>165.90</b>



N

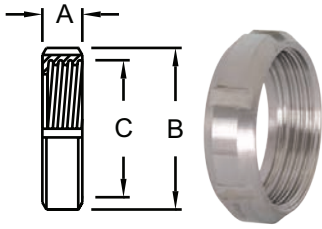
### DIN Welding Liners - 14A

Tube OD	DN Size	Dimensions		316 Stainless Steel	
		A	B	Part #	Price/E
1"	25	.87"	1.73"	<b>14A-R100DIN</b>	<b>\$24.40</b>
1½"	40	1.02"	2.20"	<b>14A-R150DIN</b>	<b>34.25</b>
2"	50	1.10"	2.68"	<b>14A-R200DIN</b>	<b>43.75</b>
2½"	65	1.26"	3.39"	<b>14A-R250DIN</b>	<b>75.05</b>
3"	80	1.46"	3.94"	<b>14A-R300DIN</b>	<b>104.30</b>
4"	100	1.73"	4.76"	<b>14A-R400DIN</b>	<b>133.00</b>



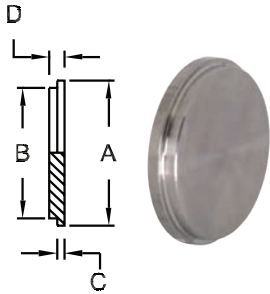
## European Fittings

## SMS Round Nuts - 13R



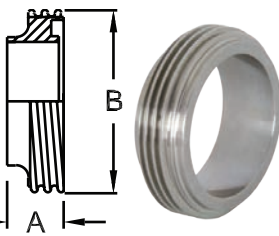
Tube OD	DN Size	Dimensions			304 Stainless Steel	
		A	B	C	Part #	Price/E
1"	25	.75"	2.01"	1.57"	<b>13R-G100SMS</b>	<b>\$36.35</b>
1½"	38	.91"	2.91"	2.36"	<b>13R-G150SMS</b>	<b>45.60</b>
2"	51	.94"	3.31"	2.76"	<b>13R-G200SMS</b>	<b>57.05</b>
2½"	63.5	1.10"	3.94"	3.35"	<b>13R-G250SMS</b>	<b>73.95</b>
3"	76	1.18"	4.49"	3.86"	<b>13R-G300SMS</b>	<b>110.80</b>
4"	101.6	1.22"	5.43"	4.92"	<b>13R-G400SMS</b>	<b>134.15</b>

## SMS Blank Caps - 16AMP



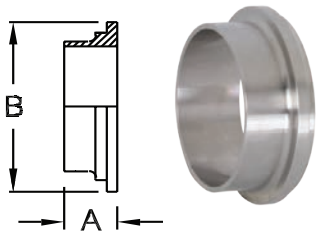
Tube OD	DN Size	Dimensions				316 Stainless Steel	
		A	B	C	D	Part #	Price/E
1"	25	1.40"	1.25"	.14"	.30"	<b>16AMP-R100SMS</b>	<b>\$25.70</b>
1½"	38	2.20"	1.89"	.16"	.31"	<b>16AMP-R150SMS</b>	<b>40.95</b>
2"	51	2.56"	2.38"	.16"	.35"	<b>16AMP-R200SMS</b>	<b>61.40</b>
2½"	63.5	3.15"	2.89"	.16"	.35"	<b>16AMP-R250SMS</b>	<b>93.20</b>
3"	76	3.66"	3.41"	.20"	.43"	<b>16AMP-R300SMS</b>	<b>133.25</b>
4"	101.6	4.65"	4.43"	.23"	.43"	<b>16AMP-R400SMS</b>	<b>199.60</b>

## SMS Welding Males - 15A



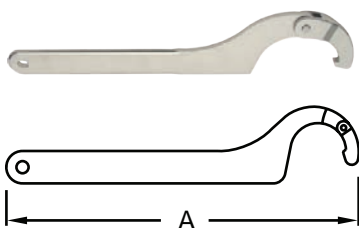
Tube OD	DN Size	Dimensions		316 Stainless Steel	
		A	B	Part #	Price/E
1"	25	.75"	1.57"	<b>15A-R100SMS</b>	<b>\$33.30</b>
1½"	38	.91"	2.36"	<b>15A-R150SMS</b>	<b>42.50</b>
2"	51	.91"	2.76"	<b>15A-R200SMS</b>	<b>59.60</b>
2½"	63.5	1.06"	3.35"	<b>15A-R250SMS</b>	<b>109.50</b>
3"	76	1.06"	3.86"	<b>15A-R300SMS</b>	<b>135.55</b>
4"	101.6	1.18"	4.92"	<b>15A-R400SMS</b>	<b>162.00</b>

## SMS Welding Liners - 14A



Tube OD	DN Size	Dimensions		316 Stainless Steel	
		A	B	Part #	Price/E
1"	25	.61"	1.40"	<b>14A-R100SMS</b>	<b>\$22.35</b>
1½"	38	.63"	2.17"	<b>14A-R150SMS</b>	<b>31.50</b>
2"	51	.67"	2.56"	<b>14A-R200SMS</b>	<b>38.50</b>
2½"	63.5	.67"	3.16"	<b>14A-R250SMS</b>	<b>50.65</b>
3"	76	.75"	3.66"	<b>14A-R300SMS</b>	<b>80.35</b>
4"	101.6	.75"	4.65"	<b>14A-R400SMS</b>	<b>102.45</b>

## DIN and SMS Spanner Wrenches - SP

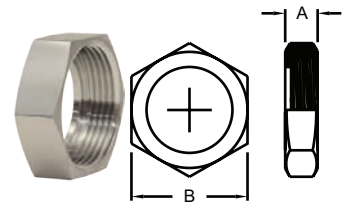


Used On	DN Size	Dimension A	Nickel Plated Steel	
			Part #	Price/E
1" - 1½"	25-40	9.75"	<b>DIN-SMS-60/90SP</b>	<b>\$220.80</b>
2" - 4"	50-101.6	13.00"	<b>DIN-SMS90/155SP</b>	<b>588.60</b>

## European Fittings

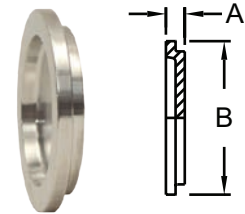
## RJT BS:4825 Hex Nuts - 13H

Tube OD	Dimensions		304 Stainless Steel	
	A	B	Part #	Price/E
1"	.87"	2.00"	<b>13H-G100RJT</b>	<b>\$33.90</b>
1½"	.87"	2.56"	<b>13H-G150RJT</b>	<b>45.45</b>
2"	.87"	3.12"	<b>13H-G200RJT</b>	<b>59.10</b>
2½"	.87"	3.62"	<b>13H-G250RJT</b>	<b>73.60</b>
3"	.87"	4.12"	<b>13H-G300RJT</b>	<b>90.30</b>
4"	.87"	5.12"	<b>13H-G400RJT</b>	<b>107.70</b>



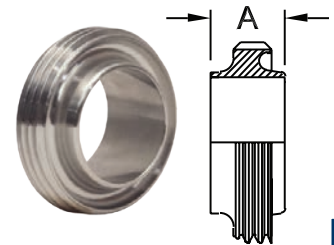
## RJT BS:4825 Blank Caps - 13RBN

Tube OD	Dimensions		304 Stainless Steel	
	A	B	Part #	Price/E
1"	.32"	1.63"	<b>13RBN-G100RJT</b>	<b>\$18.35</b>
1½"	.32"	2.12"	<b>13RBN-G150RJT</b>	<b>28.40</b>
2"	.32"	2.62"	<b>13RBN-G200RJT</b>	<b>42.40</b>
2½"	.32"	3.12"	<b>13RBN-G250RJT</b>	<b>65.90</b>
3"	.32"	3.63"	<b>13RBN-G300RJT</b>	<b>86.85</b>
4"	.32"	4.63"	<b>13RBN-G400RJT</b>	<b>160.60</b>



## RJT BS:4825 Welding Males - 15A

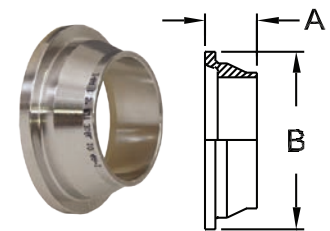
Tube OD	Dimensions		316 Stainless Steel	
	A		Part #	Price/E
1"	1.06"		<b>15A-R100RJT</b>	<b>\$40.80</b>
1½"	1.06"		<b>15A-R150RJT</b>	<b>55.40</b>
2"	1.06"		<b>15A-R200RJT</b>	<b>71.50</b>
2½"	1.06"		<b>15A-R250RJT</b>	<b>83.60</b>
3"	1.06"		<b>15A-R300RJT</b>	<b>103.65</b>
4"	1.06"		<b>15A-R400RJT</b>	<b>148.25</b>



N

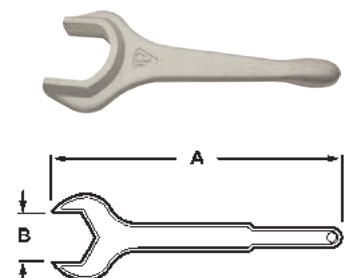
## RJT BS:4825 Welding Liners - 14A

Tube OD	Dimensions		316 Stainless Steel	
	A	B	Part #	Price/E
1"	.77"	1.63"	<b>14A-R100RJT</b>	<b>\$27.40</b>
1½"	.77"	2.13"	<b>14A-R150RJT</b>	<b>30.95</b>
2"	.77"	2.63"	<b>14A-R200RJT</b>	<b>38.80</b>
2½"	.77"	3.13"	<b>14A-R250RJT</b>	<b>52.85</b>
3"	.77"	3.63"	<b>14A-R300RJT</b>	<b>61.30</b>
4"	.77"	4.63"	<b>14A-R400RJT</b>	<b>85.45</b>



## RJT BS:4825 Spanner Wrenches - SP

Tube OD	Dimensions		Aluminum	
	A	B	Part #	Price/E
1"	10.00"	2.00"	<b>RJT-100SP</b>	<b>\$205.95</b>
1½"	11.50"	2.56"	<b>RJT-150SP</b>	<b>235.85</b>
2"	12.00"	3.12"	<b>RJT-200SP</b>	<b>276.70</b>
2½"	13.50"	3.62"	<b>RJT-250SP</b>	<b>361.55</b>
3"	14.50"	4.12"	<b>RJT-300SP</b>	<b>445.35</b>
4"	17.50"	5.12"	<b>RJT-400SP</b>	<b>557.50</b>



## European Gaskets

DIN Buna-N European Gaskets - *Black*

## Features:

- color code: red dot
- meets 21CFR 177.2600

Tube OD	DN Size	ID	OD	Height	DIN 11851 Buna-N Part #	Price/E
1"	25	1.18"	1.57"	.20"	<b>40MP-U100DIN</b>	<b>\$7.60</b>
1½"	40	1.65"	2.05"	.20"	<b>40MP-U150DIN</b>	<b>12.05</b>
2"	50	2.13"	2.52"	.20"	<b>40MP-U200DIN</b>	<b>12.55</b>
2½"	65	2.80"	3.19"	.20"	<b>40MP-U250DIN</b>	<b>14.70</b>
3"	80	3.35"	3.74"	.20"	<b>40MP-U300DIN</b>	<b>16.60</b>
4"	100	4.09"	4.49"	.24"	<b>40MP-U400DIN</b>	<b>21.20</b>

SMS Buna-N European Gaskets - *Black*

## Features:

- color code: red dot
- meets 21CFR 177.2600

Tube OD	DN Size	ID	OD	L Style Buna-N Part #	Price/E
1"	25	.98"	1.26"	<b>40MP-U100SMS</b>	<b>\$6.75</b>
1½"	38	1.49"	1.89"	<b>40MP-U150SMS</b>	<b>2.35</b>
2"	51	2.00"	2.40"	<b>40MP-U200SMS</b>	<b>2.60</b>
2½"	63.5	2.50"	2.89"	<b>40MP-U250SMS</b>	<b>2.65</b>
3"	76	2.99"	3.39"	<b>40MP-U300SMS</b>	<b>4.85</b>
4"	101.6	4.09"	4.49"	<b>40MP-U400SMS</b>	<b>20.00</b>

RJT Buna-N European Gaskets - *Black*

## Features:

- color code: red dot
- meets 21CFR 177.2600

Tube OD	ID	OD	Buna-N Part #	Price/E
1"	1.06"	.25"	<b>40MP-U100RJT</b>	<b>\$8.30</b>
1½"	1.56"	.25"	<b>40MP-U150RJT</b>	<b>9.70</b>
2"	2.06"	.25"	<b>40MP-U200RJT</b>	<b>11.30</b>
2½"	2.56"	.25"	<b>40MP-U250RJT</b>	<b>14.55</b>
3"	3.06"	.25"	<b>40MP-U300RJT</b>	<b>18.20</b>
4"	4.06"	.25"	<b>40MP-U400RJT</b>	<b>49.35</b>

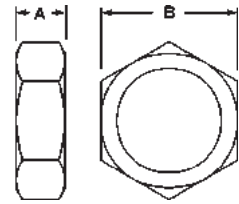
## Bevel Seat Hex Nuts

### Union Hex Nuts - 13H

**Feature:**

- maximum operating pressure: **400 PSI**

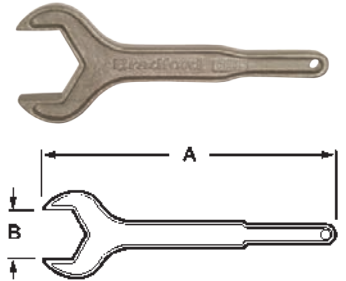
Tube OD	Dimensions		304 Stainless Steel (CF8)	
	A	B	Part #	Price/E
1"	.906"	1.812"	<b>13H-G100</b>	<b>\$18.50</b>
1½"	.968"	2.406"	<b>13H-G150</b>	<b>26.05</b>
2"	1.062"	3.000"	<b>13H-G200</b>	<b>33.45</b>
2½"	1.187"	3.594"	<b>13H-G250</b>	<b>49.95</b>
3"	1.281"	4.188"	<b>13H-G300</b>	<b>66.35</b>
4"	1.500"	5.438"	<b>13H-G400</b>	<b>115.25</b>



## Bevel Seat Hex Wrenches

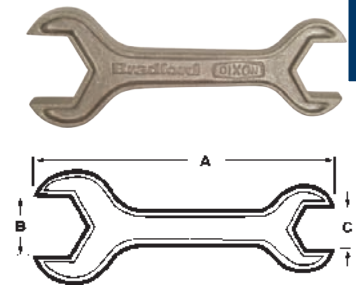
### Single Sided Hex Wrenches - 25H

Tube OD	Dimensions		Weight (Lbs.)	Aluminum	
	A	B		Part #	Price/E
1"	10.500"	1.812"	.64	<b>25H-100</b>	<b>\$52.50</b>
1½"	12.000"	2.406"	.86	<b>25H-150</b>	<b>54.25</b>
2"	14.000"	3.000"	1.76	<b>25H-200</b>	<b>66.50</b>
2½"	16.250"	3.594"	2.40	<b>25H-250</b>	<b>98.20</b>
3"	18.500"	4.188"	3.04	<b>25H-300</b>	<b>136.35</b>
4"	19.500"	5.438"	3.62	<b>25H-400</b>	<b>173.65</b>



### Two Sided Hex Wrenches - 25H

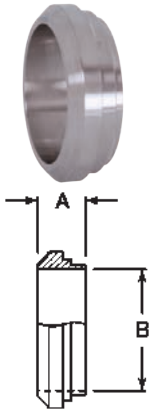
Tube OD	Dimensions			Weight (Lbs.)	Aluminum	
	A	B	C		Part #	Price/E
1½" x 1"	12.000"	2.406"	1.812"	1.00	<b>25H-150100</b>	<b>\$98.05</b>
2" x 1½"	14.000"	3.000"	2.406"	1.75	<b>25H-200150</b>	<b>109.50</b>
2½" x 2"	16.500"	3.594"	3.000"	2.80	<b>25H-250200</b>	<b>132.05</b>
3" x 2"	18.000"	4.188"	3.000"	3.20	<b>25H-300200</b>	<b>152.75</b>
3" x 2½"	18.000"	4.188"	3.594"	3.70	<b>25H-300250</b>	<b>176.00</b>



N

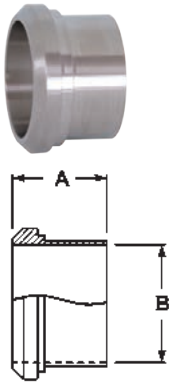
## Bevel Seat Ferrules

## 3 Short Plain Bevel Seat Weld Ferrules - 14PRF



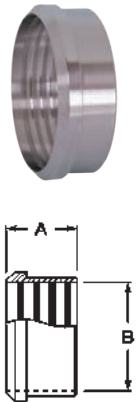
Tube OD	Dimensions		304 Stainless Steel	
	A	B	Part #	Price/E
1"	.718"	.870"	<b>14PRF-G100</b>	<b>\$11.00</b>
1½"	.718"	1.370"	<b>14PRF-G150</b>	<b>13.45</b>
2"	.750"	1.870"	<b>14PRF-G200</b>	<b>17.55</b>
2½"	.875"	2.370"	<b>14PRF-G250</b>	<b>24.35</b>
3"	.906"	2.870"	<b>14PRF-G300</b>	<b>31.50</b>
4"	1.031"	3.834"	<b>14PRF-G400</b>	<b>51.00</b>

## 3 Long Plain Bevel Seat Weld Ferrules - 14A



Tube OD	Dimensions		304 Stainless Steel	
	A	B	Part #	Price/E
1"	1.375"	.870"	<b>14A-G100</b>	<b>\$15.80</b>
1½"	1.500"	1.370"	<b>14A-G150</b>	<b>19.85</b>
2"	1.500"	1.870"	<b>14A-G200</b>	<b>30.20</b>
2½"	1.750"	2.370"	<b>14A-G250</b>	<b>37.30</b>
3"	1.750"	2.870"	<b>14A-G300</b>	<b>49.15</b>
4"	1.750"	3.834"	<b>14A-G400</b>	<b>72.50</b>

N

3<sup>1</sup> Recessless Plain Bevel Seat Ferrules for Expanding - 14R

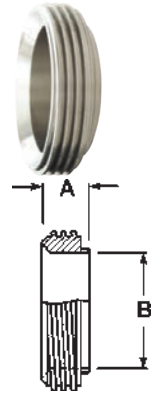
Tube OD	Dimensions		304 Stainless Steel	
	A	B	Part #	Price/E
1½"	1.125"	1.500"	<b>14R-G150</b>	<b>\$18.05</b>
2"	1.312"	2.000"	<b>14R-G200</b>	<b>23.60</b>
2½"	1.375"	2.500"	<b>14R-G250</b>	<b>30.30</b>
3"	1.437"	3.000"	<b>14R-G300</b>	<b>38.50</b>
4"	1.500"	4.000"	<b>14R-G400</b>	<b>61.70</b>

<sup>1</sup> Meets 3-A Standard Number 63-03 when used to modify or repair existing on-site farm milk handling systems.

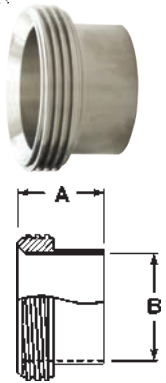
## Bevel Seat Ferrules

Short Threaded Bevel Seat Weld Ferrules - 15TRF 

Tube OD	Dimensions		304 Stainless Steel	
	A	B	Part #	Price/E
1"	.718"	.870"	<b>15TRF-G100</b>	<b>\$12.90</b>
1½"	.718"	1.370"	<b>15TRF-G150</b>	<b>15.50</b>
2"	.750"	1.870"	<b>15TRF-G200</b>	<b>20.50</b>
2½"	.875"	2.370"	<b>15TRF-G250</b>	<b>27.05</b>
3"	.906"	2.870"	<b>15TRF-G300</b>	<b>34.85</b>
4"	1.031"	3.834"	<b>15TRF-G400</b>	<b>58.50</b>

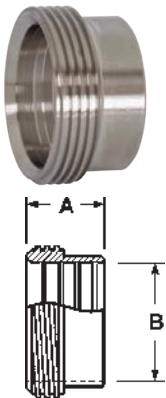
Long Threaded Bevel Seat Weld Ferrules - 15A 

Tube OD	Dimensions		304 Stainless Steel	
	A	B	Part #	Price/E
1"	1.375"	.870"	<b>15A-G100</b>	<b>\$21.75</b>
1½"	1.500"	1.370"	<b>15A-G150</b>	<b>30.35</b>
2"	1.500"	1.870"	<b>15A-G200</b>	<b>37.70</b>
2½"	1.750"	2.370"	<b>15A-G250</b>	<b>50.45</b>
3"	1.750"	2.870"	<b>15A-G300</b>	<b>66.35</b>
4"	1.750"	3.834"	<b>15A-G400</b>	<b>98.25</b>

Recessless Threaded Bevel Seat Ferrules for Expanding - 15R <sup>1</sup>

Tube OD	Dimensions		304 Stainless Steel	
	A	B	Part #	Price/E
1½"	1.125"	1.500"	<b>15R-G150</b>	<b>\$25.00</b>
2"	1.375"	2.000"	<b>15R-G200</b>	<b>31.55</b>
2½"	1.500"	2.500"	<b>15R-G250</b>	<b>42.55</b>
3"	1.675"	3.000"	<b>15R-G300</b>	<b>51.00</b>
4"	1.675"	4.000"	<b>15R-G400</b>	<b>80.60</b>

<sup>1</sup> Meets 3-A Standard Number 63-03 when used to modify or repair existing on-site farm milk handling systems.

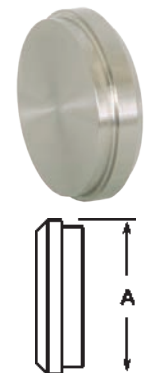


N

## Bevel Seat End Caps

Plain Bevel Seat Solid End Caps - 16A 

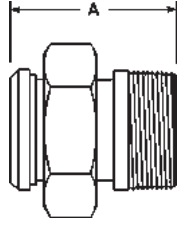
Tube OD	Dimension	304 Stainless Steel	
	A	Part #	Price/E
1"	1.312"	<b>16A-G100</b>	<b>\$8.80</b>
1½"	1.843"	<b>16A-G150</b>	<b>15.50</b>
2"	2.375"	<b>16A-G200</b>	<b>23.20</b>
2½"	2.906"	<b>16A-G250</b>	<b>30.95</b>
3"	3.437"	<b>16A-G300</b>	<b>45.40</b>
4"	4.500"	<b>16A-G400</b>	<b>81.70</b>





## Bevel Seat

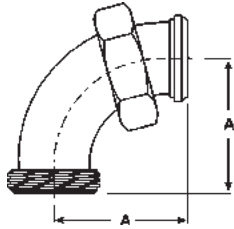
## Plain Bevel Seat x Male NPT Adapters with Hex Nut - 14-19



Tube OD	Dimension A	304 Stainless Steel	
		Part #	Price/E
1½"	3.250"	<b>14-19-G150</b>	<b>\$369.75</b>
2"	3.312"	<b>14-19-G200</b>	<b>451.40</b>
3"	4.250"	<b>14-19-G300</b>	<b>542.15</b>

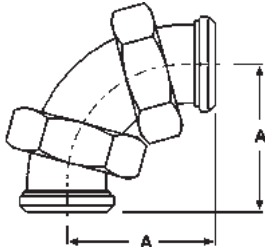
## Bevel Seat Elbows

## Threaded Bevel Seat x Plain Bevel Seat with Hex Nut 90° Elbows - B2F



Tube OD	Dimension A	304 Stainless Steel	
		Part #	Price/E
1½"	2.968"	<b>B2F-G150</b>	<b>\$189.70</b>
2"	3.750"	<b>B2F-G200</b>	<b>197.15</b>
2½"	4.625"	<b>B2F-G250</b>	<b>262.20</b>
3"	5.406"	<b>B2F-G300</b>	<b>315.15</b>

## Plain Bevel Seat x Plain Bevel Seat with Hex Nut 90° Elbows - B2E

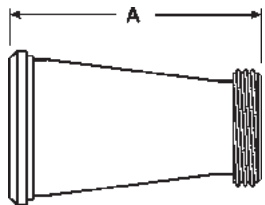


Tube OD	Dimension A	304 Stainless Steel	
		Part #	Price/E
1½"	2.968"	<b>B2E-G150</b>	<b>\$234.55</b>
2"	3.750"	<b>B2E-G200</b>	<b>293.85</b>
2½"	4.625"	<b>B2E-G250</b>	<b>309.05</b>
3"	5.406"	<b>B2E-G300</b>	<b>432.40</b>

N

## Bevel Seat Reducers

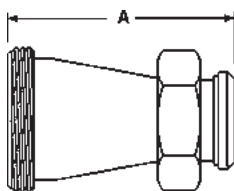
## Plain Bevel Seat x Threaded Bevel Seat Concentric Reducers - B3115F



Tube OD	Dimension A	304 Stainless Steel	
		Part #	Price/E
2" x 1½"	3.468"	<b>B3115F-G200150</b>	<b>\$162.50</b>
2½" x 2"	3.625"	<b>B3115F-G250200</b>	<b>182.30</b>
3" x 2"	5.656"	<b>B3115F-G300200</b>	<b>225.80</b>
3" x 2½"	3.781"	<b>B3115F-G300250</b>	<b>281.05</b>
4" x 3"	5.937"	<b>B3115F-G400300</b>	<b>328.65</b>

## Threaded Bevel Seat x Plain Bevel Seat with Hex Nut

## Concentric Reducers - B31TP



Tube OD	Dimension A	304 Stainless Steel	
		Part #	Price/E
2" x 1½"	3.468"	<b>B31TP-G200150</b>	<b>\$191.45</b>
2½" x 2"	3.625"	<b>B31TP-G250200</b>	<b>217.30</b>
3" x 2"	5.656"	<b>B31TP-G300200</b>	<b>285.95</b>
3" x 2½"	3.781"	<b>B31TP-G300250</b>	<b>323.25</b>
4" x 3"	5.937"	<b>B31TP-G400300</b>	<b>361.60</b>

## Breakaway Coupling - Bevel Seat

### Applications:

- minimizes spillage and damage associated with pull away and drive away incidents

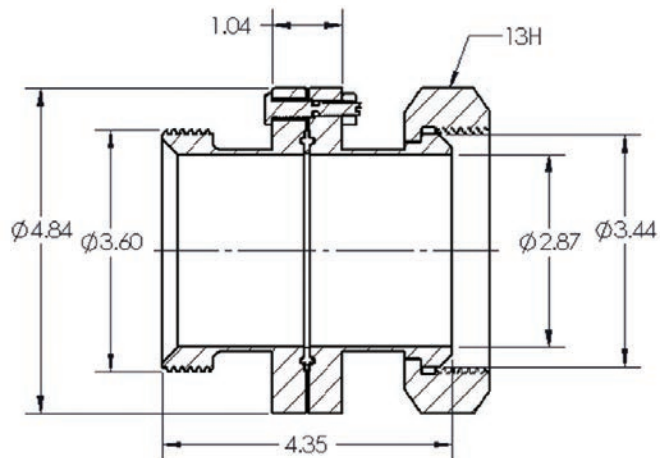
### Features:

- designed to be installed between a fixed point and a hose
- coupling breaks away with an excessive load
- bevel seat connection standard
- EPDM standard clamp gasket
- working pressure: **350 PSI @ 70°F**
- 13kN break load bolts standard, other break loads available
- 316 stainless steel polished to standard  $<32R_a$ , 3A finish
- other sizes, gaskets and connections available, contact Dixon™



Size	316 Stainless Steel Part #	Price/E
3"	<b>SBC-E300TP13</b>	<b>\$747.60</b>

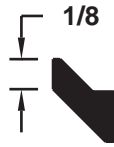
### Breakaway Coupling Dimensions



N

## Bevel Seat Gaskets

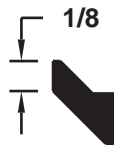
### Buna-N Bevel Seat Gaskets - *Black*


**Features:**

- color code: red dot
- meets 21CFR 177.2600

Size	Buna-N Part #	Price/E
1"	<b>40BS-O100</b>	<b>\$1.65</b>
1½"	<b>40BS-O150</b>	<b>1.40</b>
2"	<b>40BS-O200</b>	<b>1.50</b>
2½"	<b>40BS-O250</b>	<b>2.65</b>
3"	<b>40BS-O300</b>	<b>3.10</b>
4"	<b>40BS-O400</b>	<b>5.45</b>

### PTFE Bevel Seat Gaskets - *White*


**Features:**

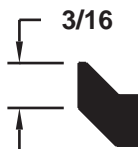
- color code: no dot
- meets 21CFR 177.1550
- passed USP Class VI Cytotoxicity testing

Size	PTFE Part #	Price/E
1"	<b>40BS-S100</b>	<b>\$3.75</b>
1½"	<b>40BS-S150</b>	<b>3.15</b>
2"	<b>40BS-S200</b>	<b>3.50</b>
2½"	<b>40BS-S250</b>	<b>4.85</b>
3"	<b>40BS-S300</b>	<b>6.50</b>
4"	<b>40BS-S400</b>	<b>11.40</b>



PTFE is a material subject to plastic flow. When cycled through heat and then cooled down in process lines, PTFE gaskets will not return to the original configuration and it will continue to compress as the cycling continues. This plastic flow will allow leakage if clamp torques are not maintained.

### Heavy PTFE Bevel Seat Gaskets - *White*

**N**

**Features:**

- color code: no dot
- meets 21CFR 177.1550
- passed USP Class VI Cytotoxicity testing

Size	PTFE Part #	Price/E
1"	<b>40BS-H100</b>	<b>\$4.60</b>
1½"	<b>40BS-H150</b>	<b>4.85</b>
2"	<b>40BS-H200</b>	<b>5.35</b>
2½"	<b>40BS-H250</b>	<b>8.45</b>
3"	<b>40BS-H300</b>	<b>9.85</b>
4"	<b>40BS-H400</b>	<b>16.20</b>



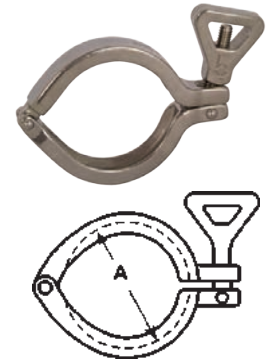
PTFE is a material subject to plastic flow. When cycled through heat and then cooled down in process lines, PTFE gaskets will not return to the original configuration and it will continue to compress as the cycling continues. This plastic flow will allow leakage if clamp torques are not maintained.

## I-Line Clamps

### Heavy Duty Clamps - 13ILH

Tube OD	Service Pressure Rating @ 70°F <sup>1</sup>	Service Pressure Rating @ 250°F <sup>1</sup>	Dimension A	304 Stainless Steel	
				Part #	Price/E
1" - 1½"	<b>700</b>	<b>250</b>	2.122"	<b>13ILH100-150</b>	<b>\$28.30</b>
2"	<b>450</b>	<b>250</b>	2.654"	<b>13ILH200</b>	<b>37.45</b>
2½"	<b>450</b>	<b>200</b>	3.185"	<b>13ILH250</b>	<b>51.35</b>
3"	<b>350</b>	<b>150</b>	3.717"	<b>13ILH300</b>	<b>62.25</b>
4"	<b>200</b>	<b>125</b>	4.820"	<b>13ILH400</b>	<b>76.90</b>
6"	<b>150</b>	<b>100</b>	7.689"	<b>13ILH600</b>	<b>145.45</b>
8"	<b>125</b>	<b>75</b>	9.689"	<b>13ILH800</b>	<b>194.85</b>

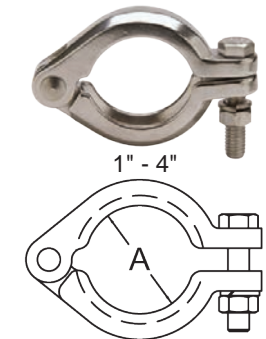
<sup>1</sup> wing nut tightened to 25 in. lbs. of torque



## Bolted Clamps - 13ILB

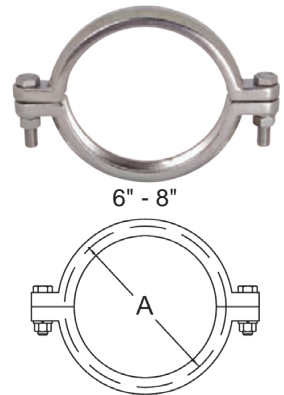
Tube OD	Service Pressure Rating @ 70°F <sup>1</sup>	Service Pressure Rating @ 250°F <sup>1</sup>	Dimension A	304 Stainless Steel	
				Part #	Price/E
1" - 1½"	<b>1220</b>	<b>1100</b>	2.122"	<b>13ILB100-150</b>	<b>\$30.60</b>
2"	<b>900</b>	<b>830</b>	2.654"	<b>13ILB200</b>	<b>51.75</b>
2½"	<b>720</b>	<b>660</b>	3.185"	<b>13ILB250</b>	<b>74.70</b>
3"	<b>600</b>	<b>550</b>	3.717"	<b>13ILB300</b>	<b>106.50</b>
4"	<b>570</b>	<b>525</b>	4.820"	<b>13ILB400</b>	<b>128.65</b>

<sup>1</sup> nut tightened to 20 ft. lbs. of torque



Tube OD	Service Pressure Rating @ 70°F <sup>1</sup>	Service Pressure Rating @ 250°F <sup>1</sup>	Dimension A	304 Stainless Steel	
				Part #	Price/E
6"	<b>300</b>	<b>200</b>	7.689"	<b>13ILB600</b>	<b>\$195.30</b>
8"	<b>250</b>	<b>150</b>	9.689"	<b>13ILB800</b>	<b>384.55</b>

<sup>1</sup> nut tightened to 20 ft. lbs. of torque



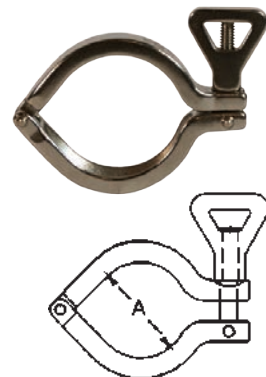
N

## Q-Line Clamps

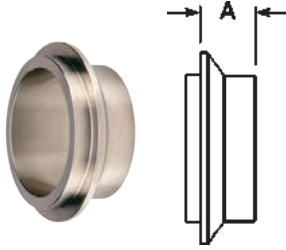
### Heavy Duty Clamps - 13QLH<sup>1</sup>

Tube OD	Dimension A	304 Stainless Steel	
		Part #	Price/E
1" - 1½"	2.122"	<b>13QLH100-150</b>	<b>\$30.05</b>
2"	2.654"	<b>13QLH200</b>	<b>39.75</b>
2½"	3.185"	<b>13QLH250</b>	<b>54.45</b>
3"	3.717"	<b>13QLH300</b>	<b>66.15</b>
4"	4.820"	<b>13QLH400</b>	<b>81.70</b>

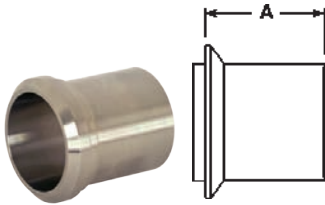
<sup>1</sup> wing nut tightened to 25 in. lbs. of torque



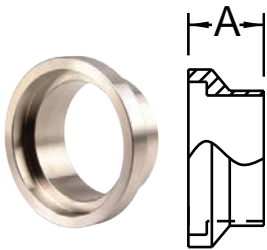
## I-Line Ferrules

 Male I-Line Short Weld Ferrules - 14WI


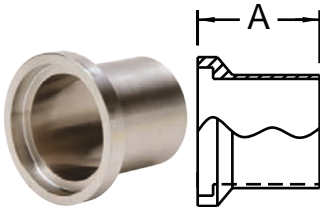
Tube OD	Dimension A	304 Stainless Steel		316L Stainless Steel	
		Part #	Price/E	Part #	Price/E
1"	.600"	<b>14WI-G100</b>	<b>\$14.05</b>	<b>14WI-R100</b>	<b>\$20.70</b>
1½"	.765"	<b>14WI-G150</b>	<b>15.15</b>	<b>14WI-R150</b>	<b>21.45</b>
2"	.790"	<b>14WI-G200</b>	<b>23.15</b>	<b>14WI-R200</b>	<b>31.00</b>
2½"	.848"	<b>14WI-G250</b>	<b>32.30</b>	<b>14WI-R250</b>	<b>43.75</b>
3"	.906"	<b>14WI-G300</b>	<b>42.60</b>	<b>14WI-R300</b>	<b>67.40</b>
4"	1.031"	<b>14WI-G400</b>	<b>72.25</b>	<b>14WI-R400</b>	<b>97.85</b>
6"	.940"	---	---	<b>14WI-R600</b>	<b>354.40</b>
8"	.940"	---	---	<b>14WI-R800</b>	<b>563.95</b>

 Male I-line Long Weld Ferrules - 14WLI


Tube OD	Dimension A	304 Stainless Steel		316L Stainless Steel	
		Part #	Price/E	Part #	Price/E
1"	1.562"	<b>14WLI-G100</b>	<b>\$44.70</b>	<b>14WLI-R100</b>	<b>\$137.40</b>
1½"	1.843"	<b>14WLI-G150</b>	<b>44.75</b>	<b>14WLI-R150</b>	<b>142.95</b>
2"	2.062"	<b>14WLI-G200</b>	<b>52.65</b>	<b>14WLI-R200</b>	<b>164.55</b>
2½"	2.188"	<b>14WLI-G250</b>	<b>78.15</b>	<b>14WLI-R250</b>	<b>246.90</b>
3"	2.375"	<b>14WLI-G300</b>	<b>101.85</b>	<b>14WLI-R300</b>	<b>334.15</b>
4"	2.688"	<b>14WLI-G400</b>	<b>148.00</b>	<b>14WLI-R400</b>	<b>POR</b>
6"	2.688"	---	---	<b>14WLI-R600</b>	<b>1851.95</b>

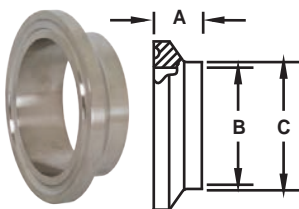
 Female I-line Short Weld Ferrules - 15WI


Tube OD	Dimension A	304 Stainless Steel		316L Stainless Steel	
		Part #	Price/E	Part #	Price/E
1"	.785"	<b>15WI-G100</b>	<b>\$14.90</b>	<b>15WI-R100</b>	<b>\$21.70</b>
1½"	.950"	<b>15WI-G150</b>	<b>15.10</b>	<b>15WI-R150</b>	<b>21.95</b>
2"	1.040"	<b>15WI-G200</b>	<b>23.15</b>	<b>15WI-R200</b>	<b>31.70</b>
2½"	1.160"	<b>15WI-G250</b>	<b>32.50</b>	<b>15WI-R250</b>	<b>45.95</b>
3"	1.220"	<b>15WI-G300</b>	<b>44.65</b>	<b>15WI-R300</b>	<b>68.50</b>
4"	1.350"	<b>15WI-G400</b>	<b>68.75</b>	<b>15WI-R400</b>	<b>99.40</b>
6"	1.125"	---	---	<b>15WI-R600</b>	<b>372.35</b>
8"	1.125"	---	---	<b>15WI-R800</b>	<b>544.60</b>

 Female I-line Long Weld Ferrules - 15WLI


Tube OD	Dimension A	304 Stainless Steel		316L Stainless Steel	
		Part #	Price/E	Part #	Price/E
1"	1.750"	<b>15WLI-G100</b>	<b>\$42.15</b>	<b>15WLI-R100</b>	<b>\$134.85</b>
1½"	2.031"	<b>15WLI-G150</b>	<b>42.00</b>	<b>15WLI-R150</b>	<b>134.85</b>
2"	2.312"	<b>15WLI-G200</b>	<b>49.55</b>	<b>15WLI-R200</b>	<b>218.65</b>
2½"	2.500"	<b>15WLI-G250</b>	<b>73.55</b>	<b>15WLI-R250</b>	<b>349.80</b>
3"	2.688"	<b>15WLI-G300</b>	<b>101.10</b>	<b>15WLI-R300</b>	<b>462.45</b>
4"	3.000"	<b>15WLI-G400</b>	<b>139.35</b>	<b>15WLI-R400</b>	<b>581.30</b>
6"	3.000"	---	---	<b>15WLI-R600</b>	<b>1669.25</b>

## Q-line Ferrules

 Q-line Weld Ferrules - 14WQ


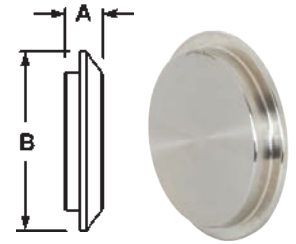
Tube OD	Dimensions			304 Stainless Steel	
	A	B	C	Part #	Price/E
1"	.531"	.870"	1.000"	<b>14WQ-G100</b>	<b>\$53.05</b>
1½"	.563"	1.370"	1.500"	<b>14WQ-G150</b>	<b>39.20</b>
2"	.813"	1.870"	2.000"	<b>14WQ-G200</b>	<b>73.10</b>
2½"	.938"	2.370"	2.500"	<b>14WQ-G250</b>	<b>96.25</b>
3"	.938"	2.870"	3.000"	<b>14WQ-G300</b>	<b>167.00</b>
4"	1.000"	3.834"	4.000"	<b>14WQ-G400</b>	<b>332.45</b>

## I-Line End Caps

## Male I-line Solid End Caps - 16AI-14I



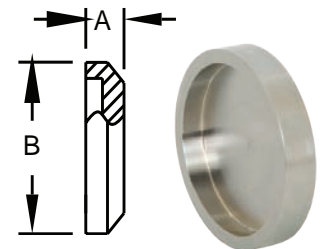
Tube OD	Dimensions		304 Stainless Steel		316L Stainless Steel	
	A	B	Part #	Price/E	Part #	Price/E
1"	.500"	1.985"	<b>16AI-14I100</b>	<b>\$15.85</b>	<b>16AI-14I100R</b>	<b>\$42.35</b>
1½"	.500"	1.985"	<b>16AI-14I150</b>	<b>15.85</b>	<b>16AI-14I150R</b>	<b>55.40</b>
2"	.562"	2.640"	<b>16AI-14I200</b>	<b>25.35</b>	<b>16AI-14I200R</b>	<b>62.05</b>
2½"	.750"	3.307"	<b>16AI-14I250</b>	<b>40.50</b>	<b>16AI-14I250R</b>	<b>124.05</b>
3"	.750"	3.870"	<b>16AI-14I300</b>	<b>52.50</b>	<b>16AI-14I300R</b>	<b>129.70</b>
4"	.750"	4.870"	<b>16AI-14I400</b>	<b>88.75</b>	<b>16AI-14I400R</b>	<b>214.25</b>
6"	.750"	7.495"	---	---	<b>16AI-14I600R</b>	<b>807.15</b>
8"	.880"	9.495"	---	---	<b>16AI-14I800R</b>	<b>1372.45</b>



## Female I-line Solid End Caps - 16AI-15I



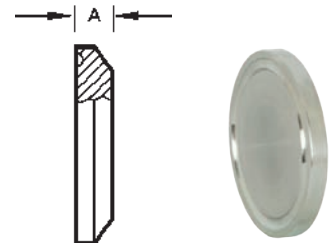
Tube OD	Dimensions		304 Stainless Steel		316L Stainless Steel	
	A	B	Part #	Price/E	Part #	Price/E
1"	.500"	1.985"	<b>16AI-15I100</b>	<b>\$17.55</b>	<b>16AI-15I100R</b>	<b>\$56.40</b>
1½"	.500"	1.985"	<b>16AI-15I150</b>	<b>17.55</b>	<b>16AI-15I150R</b>	<b>51.90</b>
2"	.562"	2.640"	<b>16AI-15I200</b>	<b>25.35</b>	<b>16AI-15I200R</b>	<b>90.35</b>
2½"	.750"	3.307"	<b>16AI-15I250</b>	<b>40.50</b>	<b>16AI-15I250R</b>	<b>191.10</b>
3"	.750"	3.870"	<b>16AI-15I300</b>	<b>52.05</b>	<b>16AI-15I300R</b>	<b>188.85</b>
4"	.750"	4.870"	<b>16AI-15I400</b>	<b>88.95</b>	<b>16AI-15I400R</b>	<b>286.95</b>
6"	.750"	7.495"	---	---	<b>16AI-15I600R</b>	<b>578.10</b>
8"	.880"	9.495"	---	---	<b>16AI-15I800R</b>	<b>1543.10</b>



## Q-Line Solid End Caps - 16AQ



Tube OD	Dimension A	304 Stainless Steel	
		Part #	Price/E
1"	.313"	<b>16AQ-G100</b>	<b>\$40.75</b>
1½"	.313"	<b>16AQ-G150</b>	<b>40.75</b>
2"	.438"	<b>16AQ-G200</b>	<b>62.60</b>
2½"	.500"	<b>16AQ-G250</b>	<b>86.80</b>
3"	.500"	<b>16AQ-G300</b>	<b>140.10</b>
4"	.625"	<b>16AQ-G400</b>	<b>311.85</b>



N

## I-Line Gaskets

### Buna-N I-Line Gaskets - Black

**Features:**

- color code: red dot
- meets 21CFR 177.2600
- 3/32" thickness

Size	Buna-N Part #	Price/E
1"	40IH100	\$1.70
1½"	40IH150	1.50
2"	40IH200	1.65
2½"	40IH250	2.50
3"	40IH300	3.05
4"	40IH400	3.95
6"	40IH600	37.50
8"	40IH800	42.45

### PTFE I-Line Gaskets - White

**Features:**

- color code: no dot
- meets 21CFR 177.1550
- passed USP class VI cytotoxicity testing
- 1/16" thickness

PTFE is a material subject to plastic flow. When cycled through heat and then cooled down in process lines, PTFE gaskets will not return to the original configuration and it will continue to compress as the cycling continues. This plastic flow will allow leakage if clamp torques are not maintained.



Size	PTFE Part #	Price/E
1"	40IT100	\$2.85
1½"	40IT150	3.35
2"	40IT200	3.55
2½"	40IT250	4.10
3"	40IT300	4.70
4"	40IT400	6.20
6"	40IT600	132.30
8"	40IT800	155.65

### EPDM I-Line Gaskets - White

**Features:**

- color code: three green dots
- meets 21CFR 177.2600
- passed USP class VI cytotoxicity testing
- peroxide cured
- 3/32" thickness

Size	EPDM Part #	Price/E
1"	40IE100	\$2.70
1½"	40IE150	2.70
2"	40IE200	3.20
2½"	40IE250	3.90
3"	40IE300	4.50
4"	40IE400	7.70
6"	40IE600	POR
8"	40IE800	36.30

### FKM I-Line Gaskets - Black

**Features:**

- color code: one white dot, one yellow dot
- meets 21CFR 177.1550
- passed USP Class VI Cytotoxicity testing
- peroxide cured
- 1/16" thickness

Size	FKM Part #	Price/E
1"	40IV100	\$9.30
1½"	40IV150	11.20
2"	40IV200	13.05
2½"	40IV250	15.50
3"	40IV300	19.45
4"	40IV400	24.45
6"	40IV600	120.45
8"	40IV800	118.30

## Q-line Gaskets

### Buna-N Q-Line Gaskets - Black

**Features:**

- color code: red dot
- meets 21CFR 177.2600

Size	Buna-N Part #	Price/E
1"	40QH100	\$3.65
1½"	40QH150	3.35
2"	40QH200	4.40
2½"	40QH250	5.65
3"	40QH300	7.10
4"	40QH400	11.75

### PTFE Q-Line Gaskets - White

**Features:**

- color code: no dot
- meets 21CFR 177.1550
- passed USP Class VI Cytotoxicity testing

PTFE is a material subject to plastic flow. When cycled through heat and then cooled down in process lines, PTFE gaskets will not return to the original configuration and it will continue to compress as the cycling continues. This plastic flow will allow leakage if clamp torques are not maintained.

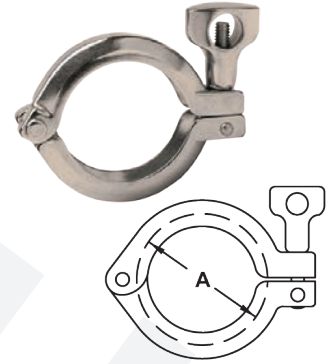


Size	PTFE Part #	Price/E
1"	40QT100	\$10.65
1½"	40QT150	10.65
2"	40QT200	13.75
2½"	40QT250	18.55
3"	40QT300	19.65
4"	40QT400	27.85

## Pipe Size Clamps

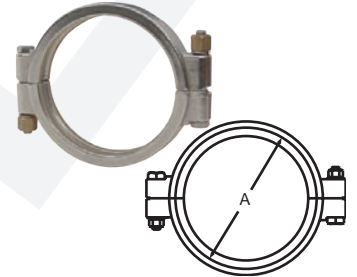
## Schedule 5S and 10S Single Pin Heavy Duty Clamps - 13MHHV

Pipe Size	Service pressure rating @ 70°F <sup>1</sup>	Dimension A	304 Stainless Steel	
			Part #	Price/E
1"	<b>500</b>	2.122"	<b>13MHHV100</b>	<b>\$15.50</b>
1½"	<b>450</b>	2.654"	<b>13MHHV150</b>	<b>17.55</b>
2"	<b>400</b>	3.185"	<b>13MHHV200</b>	<b>20.15</b>
2½"	<b>350</b>	3.717"	<b>13MHHV250</b>	<b>21.85</b>
3"	<b>250</b>	4.263"	<b>13MHHV300</b>	<b>43.95</b>
4"	<b>150</b>	5.263"	<b>13MHHV400</b>	<b>69.10</b>
6"	<b>100</b>	7.500"	<b>13MHHV600</b>	<b>224.05</b>

<sup>1</sup> wing nut tightened to 25 in. lbs. of torque

## Bolted Clamp - 13MHPV400

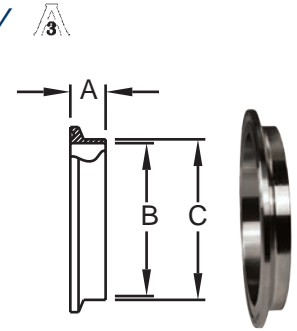
Pipe Size	Service pressure rating @ 70°F <sup>1</sup>	Dimension A	304 Stainless Steel	
			Part #	Price/E
4"	<b>400</b>	5.187"	<b>13MHPV400</b>	<b>\$91.60</b>

<sup>1</sup> nut tightened to 20 ft. lbs. of torque

## Pipe Size Ferrules

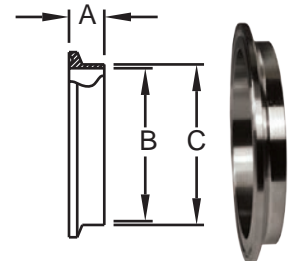
## Schedule 5S Short Weld Ferrules - 14WMV

Pipe Size	Dimensions			316L Stainless Steel	
	A	B	C	Part #	Price/E
1"	.500"	1.185"	1.315"	<b>14WMV-R100</b>	<b>\$33.10</b>
1½"	.500"	1.770"	1.900"	<b>14WMV-R150</b>	<b>45.00</b>
2"	.500"	2.245"	2.375"	<b>14WMV-R200</b>	<b>66.30</b>
2½"	.500"	2.709"	2.875"	<b>14WMV-R250</b>	<b>85.55</b>
3"	.500"	3.334"	3.500"	<b>14WMV-R300</b>	<b>107.40</b>
4"	.625"	4.334"	4.500"	<b>14WMV-R400</b>	<b>180.00</b>
6"	.875"	6.407"	6.625"	<b>14WMV-R600</b>	<b>212.20</b>



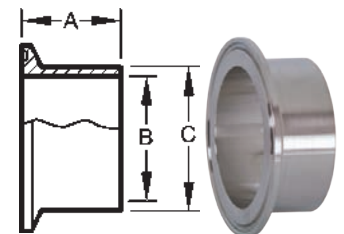
## Schedule 10S Short Weld Ferrules - 14WMX

Pipe Size	Dimensions			316L Stainless Steel	
	A	B	C	Part #	Price/E
1"	.500"	1.097"	1.315"	<b>14WMX-R100</b>	<b>\$33.10</b>
1½"	.500"	1.682"	1.900"	<b>14WMX-R150</b>	<b>45.00</b>
2"	.500"	2.157"	2.375"	<b>14WMX-R200</b>	<b>66.30</b>
2½"	.500"	2.635"	2.875"	<b>14WMX-R250</b>	<b>85.55</b>
3"	.500"	3.260"	3.500"	<b>14WMX-R300</b>	<b>107.40</b>
4"	.625"	4.260"	4.500"	<b>14WMX-R400</b>	<b>180.00</b>



## Schedule 5S Long Weld Ferrules - L14AM7V

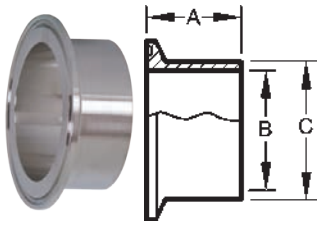
Pipe Size	Dimensions			316L Stainless Steel	
	A	B	C	Part #	Price/E
1"	1.125"	1.185"	1.315"	<b>L14AM7V-R100</b>	<b>\$65.15</b>
1½"	1.125"	1.770"	1.900"	<b>L14AM7V-R150</b>	<b>82.55</b>
2"	1.125"	2.245"	2.375"	<b>L14AM7V-R200</b>	<b>123.35</b>
2½"	1.125"	2.709"	2.875"	<b>L14AM7V-R250</b>	<b>144.15</b>
3"	1.125"	3.334"	3.500"	<b>L14AM7V-R300</b>	<b>203.00</b>
4"	1.125"	4.334"	4.500"	<b>L14AM7V-R400</b>	<b>302.20</b>





## Pipe Size Ferrules

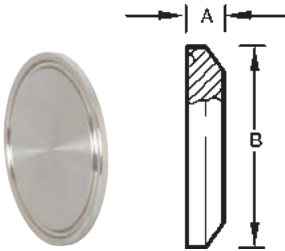
## Schedule 10S Long Weld Ferrules - L14AM7X



Pipe Size	Dimensions			316L Stainless Steel	
	A	B	C	Part #	Price/E
1"	1.125"	1.097"	1.315"	<b>L14AM7X-R100</b>	<b>\$65.15</b>
1½"	1.125"	1.682"	1.900"	<b>L14AM7X-R150</b>	<b>82.55</b>
2"	1.125"	2.157"	2.375"	<b>L14AM7X-R200</b>	<b>123.35</b>
2½"	1.125"	2.635"	2.875"	<b>L14AM7X-R250</b>	<b>144.15</b>
3"	1.125"	3.260"	3.500"	<b>L14AM7X-R300</b>	<b>203.00</b>
4"	1.125"	4.260"	4.500"	<b>L14AM7X-R400</b>	<b>302.20</b>

## Pipe Size End Caps

## Schedule 5S and 10S Solid End Caps - 16AMV

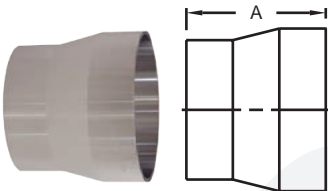


Pipe Size	Dimensions		304 Stainless Steel		316L Stainless Steel	
	A	B	Part #	Price/E	Part #	Price/E
1"	.250"	1.984"	<b>16AMV-G100</b>	<b>\$8.45</b>	<b>16AMV-R100</b>	<b>\$10.80</b>
1½"	.250"	2.516"	<b>16AMV-G150</b>	<b>9.25</b>	<b>16AMV-R150</b>	<b>13.95</b>
2"	.250"	3.047"	<b>16AMV-G200</b>	<b>13.85</b>	<b>16AMV-R200</b>	<b>20.20</b>
2½"	.250"	3.579"	<b>16AMV-G250</b>	<b>18.95</b>	<b>16AMV-R250</b>	<b>27.35</b>
3"	.312"	4.125"	<b>16AMV-G300</b>	<b>230.65</b>	<b>16AMV-R300</b>	<b>236.30</b>
4"	.312"	5.125"	<b>16AMV-G400</b>	<b>294.50</b>	<b>16AMV-R400</b>	<b>295.70</b>

- Specify if you are using a piping system or a tubing system when ordering.

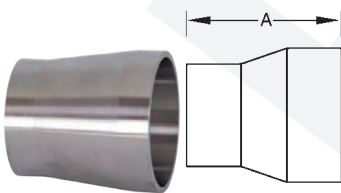
## Pipe Size Adapters

## Tube OD Weld x Schedule 5S Weld Adapters - B19WV



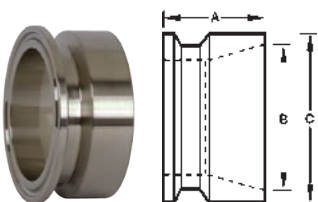
Pipe Size	Dimension A	Tube Wall Thickness	Pipe Wall Thickness	316L Stainless Steel	
				Part #	Price/E
1"	2.000"	.065"	.065"	<b>B19WV-R100</b>	<b>\$96.25</b>
1½"	2.500"	.065"	.065"	<b>B19WV-R150</b>	<b>107.20</b>
2"	2.500"	.065"	.065"	<b>B19WV-R200</b>	<b>125.40</b>
2½"	2.500"	.065"	.084"	<b>B19WV-R250</b>	<b>147.75</b>
3"	2.500"	.065"	.084"	<b>B19WV-R300</b>	<b>168.65</b>
4"	3.000"	.084"	.084"	<b>B19WV-R400</b>	<b>316.20</b>

## Tube OD Weld x Schedule 10S Weld Adapters - B19WX



Pipe Size	Dimension A	Tube Wall Thickness	Pipe Wall Thickness	316L Stainless Steel	
				Part #	Price/E
1"	2.000"	.065"	.109"	<b>B19WX-R100</b>	<b>\$91.05</b>
1½"	2.500"	.065"	.109"	<b>B19WX-R150</b>	<b>101.35</b>
2"	2.500"	.065"	.109"	<b>B19WX-R200</b>	<b>118.65</b>
2½"	2.500"	.065"	.120"	<b>B19WX-R250</b>	<b>139.70</b>
3"	2.500"	.065"	.120"	<b>B19WX-R300</b>	<b>159.45</b>
4"	3.000"	.084"	.120"	<b>B19WX-R400</b>	<b>298.90</b>

## Clamp x Schedule 10S Weld Adapters - B19MPX

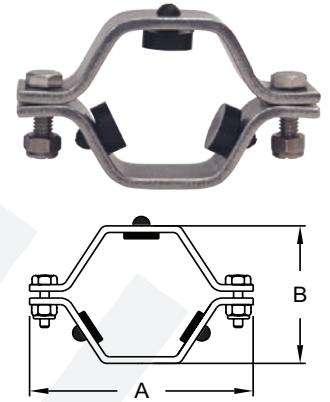


Pipe Size	Dimensions			Pipe Wall Thickness	316L Stainless Steel	
	A	B	C		Part #	Price/E
1"	1.125"	1.097"	1.315"	.109"	<b>B19MPX-R100</b>	<b>\$72.30</b>
1½"	1.125"	1.682"	1.900"	.109"	<b>B19MPX-R150</b>	<b>143.90</b>
2"	1.125"	2.157"	2.375"	.109"	<b>B19MPX-R200</b>	<b>216.65</b>
2½"	1.125"	2.635"	2.875"	.120"	<b>B19MPX-R250</b>	<b>237.75</b>
3"	1.125"	3.260"	3.500"	.120"	<b>B19MPX-R300</b>	<b>295.65</b>
4"	1.125"	4.260"	4.500"	.120"	<b>B19MPX-R400</b>	<b>355.15</b>

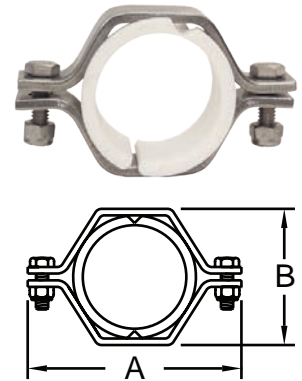
## Pipe Size Hangers

Pipe Size Hex Hanger with Rubber Grommets - B24RV<sup>1</sup>

Pipe Size	Dimensions		304 Stainless Steel	
	A	B	Part #	Price/E
1"	3.625"	2.125"	<b>B24RV-G100</b>	<b>\$23.85</b>
1½"	3.625"	2.125"	<b>B24RV-G150</b>	<b>26.00</b>
2"	4.312"	2.625"	<b>B24RV-G200</b>	<b>26.65</b>
2½"	4.875"	3.125"	<b>B24RV-G250</b>	<b>30.25</b>
3"	5.375"	3.625"	<b>B24RV-G300</b>	<b>38.25</b>
4"	7.500"	4.750"	<b>B24RV-G400</b>	<b>38.80</b>
6"	9.000"	6.625"	<b>B24RV-G600</b>	<b>109.80</b>

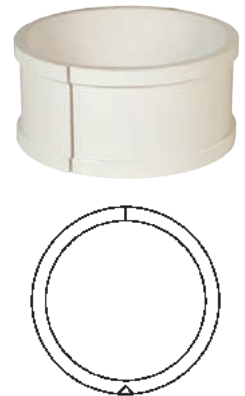
<sup>1</sup> for coupler options call Dixon™Pipe Size Hex Hanger with Polypropylene Sleeves - B24PV<sup>1</sup>

Pipe Size	Dimensions		304 Stainless Steel	
	A	B	Part #	Price/E
1"	3.750"	3.000"	<b>B24PV-G100</b>	<b>\$34.00</b>
1½"	4.312"	2.625"	<b>B24PV-G150</b>	<b>34.60</b>
2"	5.000"	3.125"	<b>B24PV-G200</b>	<b>41.10</b>
2½"	5.625"	3.500"	<b>B24PV-G250</b>	<b>50.75</b>
3"	6.000"	4.250"	<b>B24PV-G300</b>	<b>51.00</b>
4"	7.500"	2.000"	<b>B24PV-G400</b>	<b>58.10</b>
6"	9.750"	7.125"	<b>B24PV-G600</b>	<b>205.35</b>

<sup>1</sup> for coupler options call Dixon™

## Pipe Size Sleeves - 13PV

Pipe Size	Polypropylene	
	Part #	Price/E
1"	<b>13PV-100</b>	<b>\$19.10</b>
1½"	<b>13PV-150</b>	<b>19.10</b>
2"	<b>13PV-200</b>	<b>19.95</b>
2½"	<b>13PV-250</b>	<b>29.05</b>
3"	<b>13PV-300</b>	<b>29.25</b>
4"	<b>13PV-400</b>	<b>32.75</b>
6"	<b>13PV-600</b>	<b>128.30</b>



N

## Schedule 5S and 10S Pipe Gaskets

## Buna-N Pipe Gaskets- 40MPV-U, Black

**Features:**

- color code: red dot
- meets 21CFR 177.2600

Size	Buna-N Part #	Price/E
1"	<b>40MPV-U100</b>	<b>\$7.10</b>
1½"	<b>40MPV-U150</b>	<b>7.10</b>
2"	<b>40MPV-U200</b>	<b>7.10</b>
2½"	<b>40MPV-U250</b>	<b>7.60</b>
3"	<b>40MPV-U300</b>	<b>8.10</b>
4"	<b>40MPV-U400</b>	<b>8.95</b>

## PTFE Pipe Gaskets - 40MPV-G, White

**Features:**

- color code: no dot
- meets 21CFR 177.1550
- passed USP Class VI Cytotoxicity testing
- not recommended for use with bolted clamps

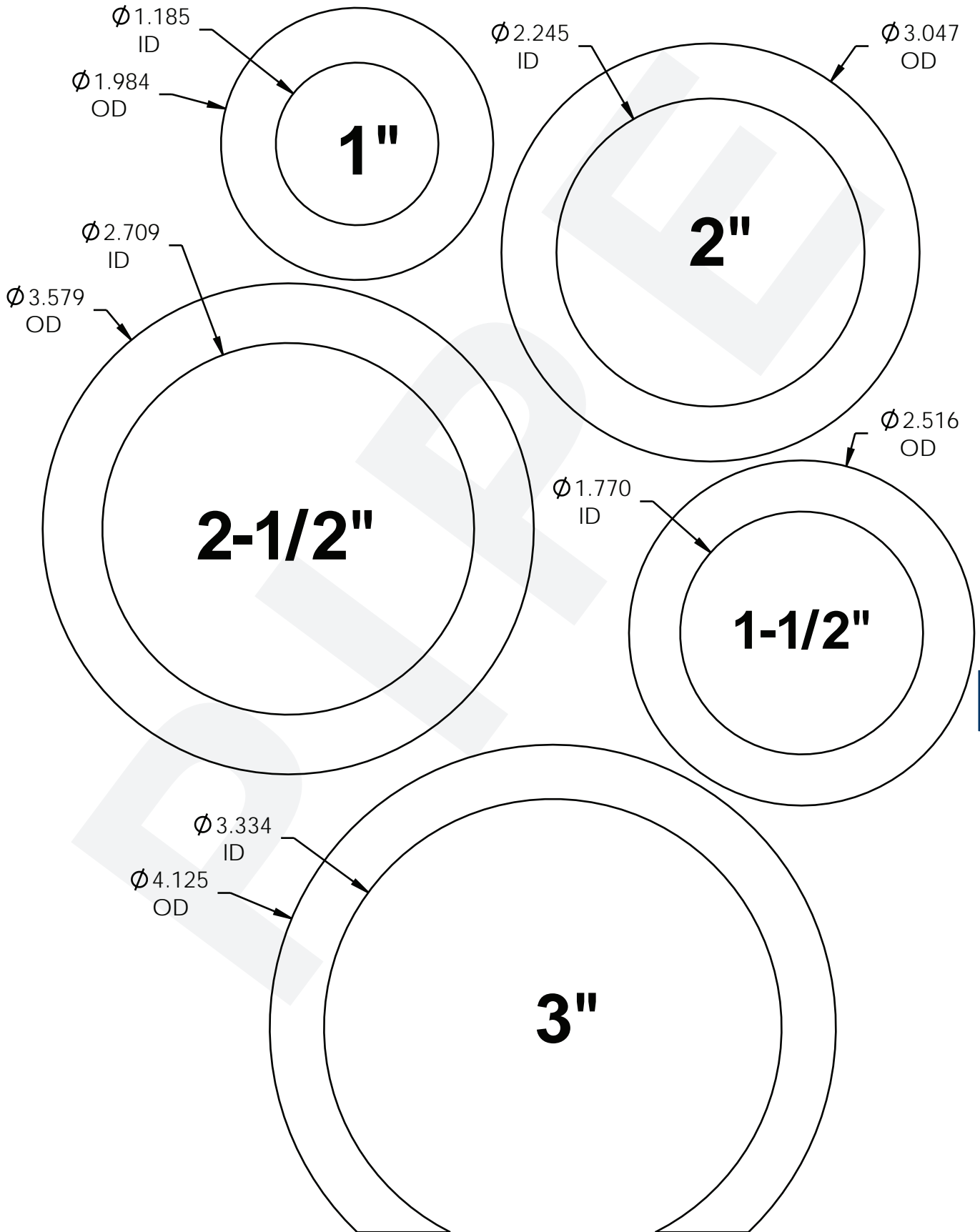


Size	PTFE Part #	Price/E
1"	<b>40MPV-G100</b>	<b>\$31.65</b>
1½"	<b>40MPV-G150</b>	<b>23.85</b>
2"	<b>40MPV-G200</b>	<b>35.85</b>
2½"	<b>40MPV-G250</b>	<b>52.95</b>
3"	<b>40MPV-G300</b>	<b>70.60</b>
4"	<b>40MPV-G400</b>	<b>68.70</b>



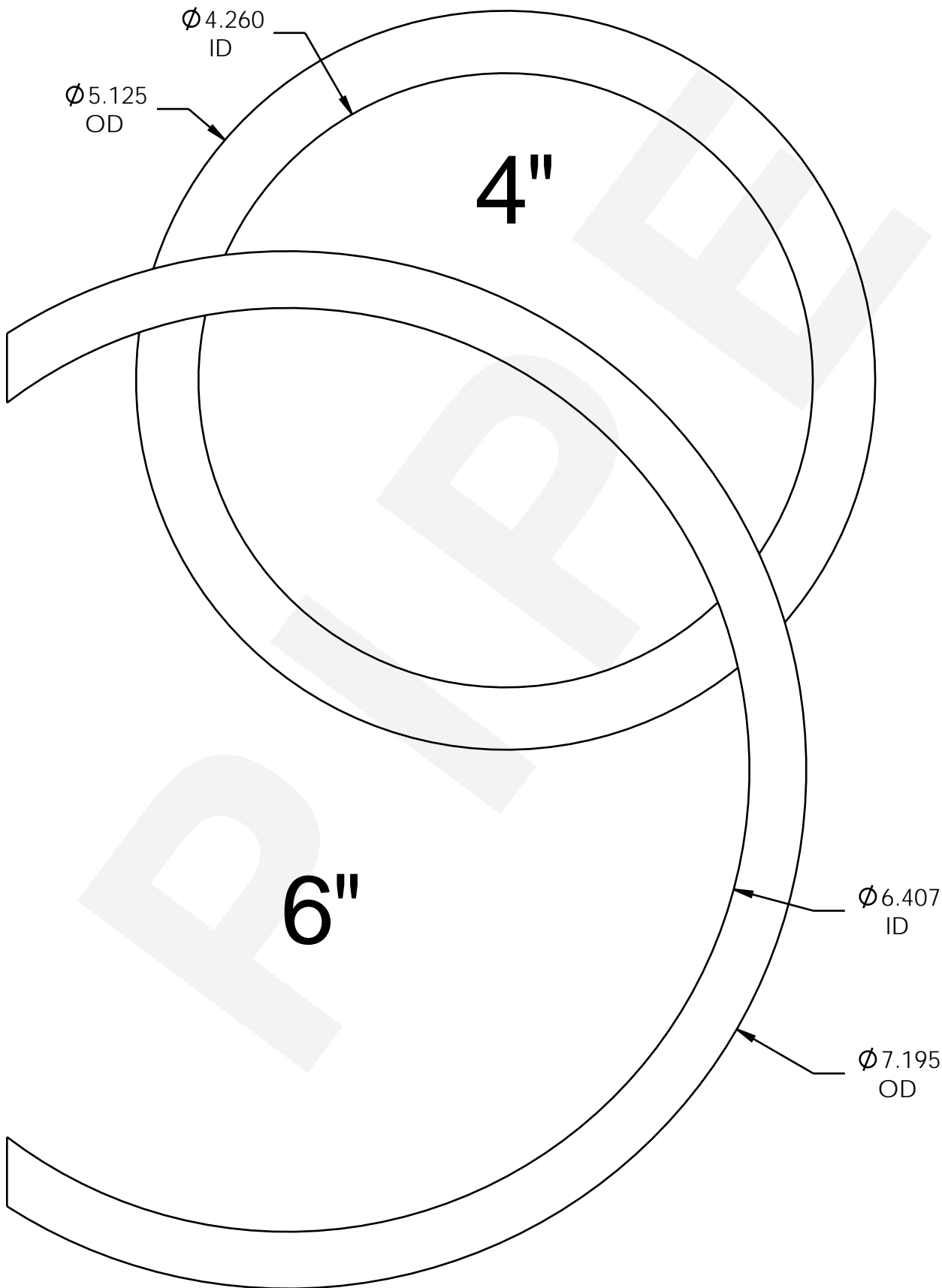
PTFE is a material subject to plastic flow. When cycled through heat and then cooled down in process lines, PTFE gaskets will not return to the original configuration and it will continue to compress as the cycling continues. This plastic flow will allow leakage if clamp torques are not maintained.

## Pipe Fittings and Gasket Sizing Guide



N

# Pipe Fittings and Gasket Sizing Guide

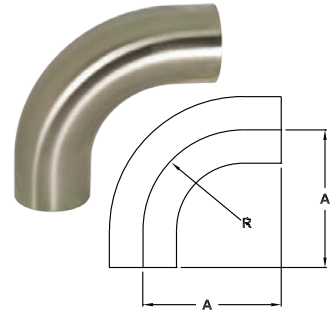


N

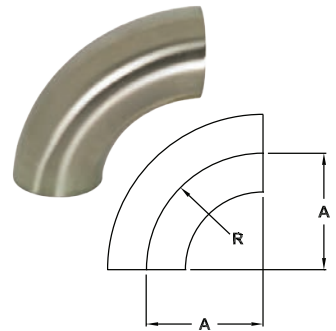
## Weld Elbows

Polished 90° Weld Elbows with Tangents - B2S 

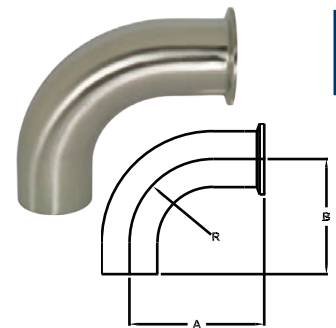
Tube OD	Dimensions		Wall Thickness	polished ID/OD 304 Stainless Steel		polished ID/OD 316L Stainless Steel	
	A	R		Part #	Price/E	Part #	Price/E
1/2"	3.000"	1.125"	.065"	---	---	<b>B2S-R50P</b>	<b>\$74.45</b>
3/4"	3.000"	1.125"	.065"	---	---	<b>B2S-R75P</b>	<b>74.45</b>
1"	2.062"	1.500"	.065"	<b>B2S-G100P</b>	<b>\$31.10</b>	<b>B2S-R100P</b>	<b>34.80</b>
1 1/2"	2.937"	2.250"	.065"	<b>B2S-G150P</b>	<b>33.30</b>	<b>B2S-R150P</b>	<b>38.85</b>
2"	4.062"	3.000"	.065"	<b>B2S-G200P</b>	<b>36.20</b>	<b>B2S-R200P</b>	<b>53.65</b>
2 1/2"	5.187"	3.750"	.065"	<b>B2S-G250P</b>	<b>51.50</b>	<b>B2S-R250P</b>	<b>80.75</b>
3"	6.312"	4.500"	.065"	<b>B2S-G300P</b>	<b>74.95</b>	<b>B2S-R300P</b>	<b>111.30</b>
4"	8.312"	6.000"	.083"	<b>B2S-G400P</b>	<b>134.05</b>	<b>B2S-R400P</b>	<b>204.35</b>

Polished 90° Weld Elbows - B2WCL 

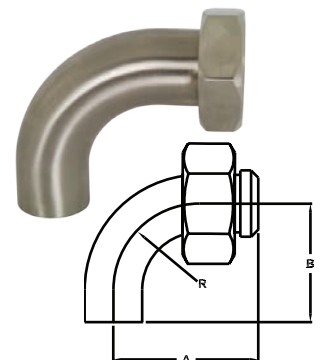
Tube OD	Dimensions		Wall Thickness	polished ID/OD 304 Stainless Steel		polished ID/OD 316L Stainless Steel	
	A	R		Part #	Price/E	Part #	Price/E
1/2"	1.125"	1.125"	.065"	---	---	<b>B2WCL-R50P</b>	<b>\$32.25</b>
3/4"	1.125"	1.125"	.065"	---	---	<b>B2WCL-R75P</b>	<b>32.25</b>
1"	1.500"	1.500"	.065"	<b>B2WCL-G100P</b>	<b>\$16.75</b>	<b>B2WCL-R100P</b>	<b>20.20</b>
1 1/2"	2.250"	2.250"	.065"	<b>B2WCL-G150P</b>	<b>21.40</b>	<b>B2WCL-R150P</b>	<b>27.00</b>
2"	3.000"	3.000"	.065"	<b>B2WCL-G200P</b>	<b>29.25</b>	<b>B2WCL-R200P</b>	<b>37.15</b>
2 1/2"	3.750"	3.750"	.065"	<b>B2WCL-G250P</b>	<b>47.00</b>	<b>B2WCL-R250P</b>	<b>61.50</b>
3"	4.500"	4.500"	.065"	<b>B2WCL-G300P</b>	<b>66.85</b>	<b>B2WCL-R300P</b>	<b>85.35</b>
4"	6.000"	6.000"	.083"	<b>B2WCL-G400P</b>	<b>127.90</b>	<b>B2WCL-R400P</b>	<b>155.50</b>
6"	9.000"	9.000"	.109"	<b>B2WCL-G600P</b>	<b>471.35</b>	<b>B2WCL-R600P</b>	<b>510.25</b>
8"	12.000"	12.000"	.120"	<b>B2WCL-G800P</b>	<b>1336.00</b>	<b>B2WCL-R800P</b>	<b>1513.65</b>

Polished 90° Clamp x Weld Elbows - B2CM 

Tube OD	Dimensions			Wall Thickness	polished ID/OD 304 Stainless Steel		polished ID/OD 316L Stainless Steel	
	A	B	R		Part #	Price/E	Part #	Price/E
1"	2.562"	2.062"	1.500"	.065"	<b>B2CM-G100</b>	<b>\$77.45</b>	<b>B2CM-R100</b>	<b>\$94.20</b>
1 1/2"	3.438"	2.937"	2.250"	.065"	<b>B2CM-G150</b>	<b>77.45</b>	<b>B2CM-R150</b>	<b>94.20</b>
2"	4.562"	4.062"	3.000"	.065"	<b>B2CM-G200</b>	<b>86.90</b>	<b>B2CM-R200</b>	<b>104.45</b>
2 1/2"	5.688"	5.187"	3.750"	.065"	<b>B2CM-G250</b>	<b>113.70</b>	<b>B2CM-R250</b>	<b>158.20</b>
3"	6.812"	6.312"	4.500"	.065"	<b>B2CM-G300</b>	<b>151.15</b>	<b>B2CM-R300</b>	<b>220.65</b>
4"	8.937"	8.312"	6.000"	.083"	<b>B2CM-G400</b>	<b>259.10</b>	<b>B2CM-R400</b>	<b>327.60</b>

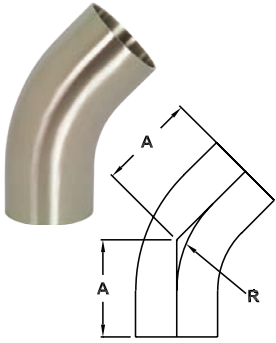
Polished 90° Plain Bevel Seat with Hex Nut x Weld Elbows - B2FP 

Tube OD	Dimensions			Wall Thickness	polished ID/OD 304 Stainless Steel	
	A	B	R		Part #	Price/E
1 1/2"	3.656"	2.937"	2.250"	.065"	<b>B2FP-G150</b>	<b>\$135.75</b>
2"	4.812"	4.062"	3.000"	.065"	<b>B2FP-G200</b>	<b>152.80</b>
2 1/2"	6.062"	5.187"	3.750"	.065"	<b>B2FP-G250</b>	<b>240.25</b>
3"	7.218"	6.312"	4.500"	.065"	<b>B2FP-G300</b>	<b>262.75</b>



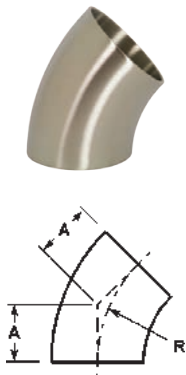
## Weld Elbows

## 3 Polished 45° Weld Elbows with Tangents - B2KS



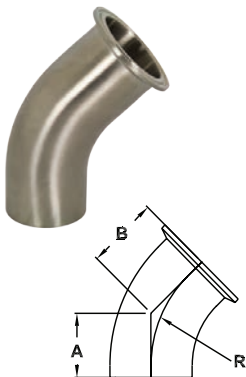
Tube OD	Dimensions		Wall Thickness	polished ID/OD 304 Stainless Steel		polished ID/OD 316L Stainless Steel	
	A	R		Part #	Price/E	Part #	Price/E
¾"	2.250"	2.250"	.065"	---	---	<b>B2KS-R75P</b>	<b>\$111.45</b>
1"	1.188"	1.188"	.065"	<b>B2KS-G100P</b>	<b>\$25.65</b>	<b>B2KS-R100P</b>	<b>27.80</b>
1½"	1.625"	1.625"	.065"	<b>B2KS-G150P</b>	<b>27.80</b>	<b>B2KS-R150P</b>	<b>32.70</b>
2"	2.312"	2.312"	.065"	<b>B2KS-G200P</b>	<b>34.35</b>	<b>B2KS-R200P</b>	<b>45.25</b>
2½"	3.000"	3.000"	.065"	<b>B2KS-G250P</b>	<b>47.35</b>	<b>B2KS-R250P</b>	<b>63.10</b>
3"	3.688"	3.688"	.065"	<b>B2KS-G300P</b>	<b>64.00</b>	<b>B2KS-R300P</b>	<b>90.75</b>
4"	4.812"	4.812"	.083"	<b>B2KS-G400P</b>	<b>110.10</b>	<b>B2KS-R400P</b>	<b>148.15</b>

## 3 Polished 45° Weld Elbows - B2WK



Tube OD	Dimensions		Wall Thickness	polished ID/OD 304 Stainless Steel		polished ID/OD 316L Stainless Steel	
	A	R		Part #	Price/E	Part #	Price/E
1"	.625"	1.500"	.065"	<b>B2WK-G100P</b>	<b>\$19.95</b>	<b>B2WK-R100P</b>	<b>\$21.10</b>
1½"	.937"	2.250"	.065"	<b>B2WK-G150P</b>	<b>19.25</b>	<b>B2WK-R150P</b>	<b>21.95</b>
2"	1.250"	3.000"	.065"	<b>B2WK-G200P</b>	<b>25.35</b>	<b>B2WK-R200P</b>	<b>34.20</b>
2½"	1.562"	3.750"	.065"	<b>B2WK-G250P</b>	<b>37.05</b>	<b>B2WK-R250P</b>	<b>49.70</b>
3"	1.875"	4.500"	.065"	<b>B2WK-G300P</b>	<b>62.70</b>	<b>B2WK-R300P</b>	<b>79.30</b>
4"	2.500"	6.000"	.083"	<b>B2WK-G400P</b>	<b>112.00</b>	<b>B2WK-R400P</b>	<b>154.35</b>
6"	3.750"	9.000"	.109"	<b>B2WK-G600P</b>	<b>387.35</b>	<b>B2WK-R600P</b>	<b>465.65</b>
8"	5.000"	12.000"	.120"	---	---	<b>B2WK-R800P</b>	<b>1023.85</b>

## 3 Polished 45° Clamp x Weld Elbows - B2KM



Tube OD	Dimensions			Wall Thickness	polished ID/OD 304 Stainless Steel		polished ID/OD 316L Stainless Steel	
	A	B	R		Part #	Price/E	Part #	Price/E
1"	1.188"	1.688"	1.500"	.065"	<b>B2KM-G100</b>	<b>\$87.95</b>	<b>B2KM-R100</b>	<b>\$103.80</b>
1½"	1.625"	2.125"	2.250"	.065"	<b>B2KM-G150</b>	<b>96.90</b>	<b>B2KM-R150</b>	<b>92.70</b>
2"	2.312"	2.812"	3.000"	.065"	<b>B2KM-G200</b>	<b>115.75</b>	<b>B2KM-R200</b>	<b>121.55</b>
2½"	3.000"	3.500"	3.750"	.065"	<b>B2KM-G250</b>	<b>152.15</b>	<b>B2KM-R250</b>	<b>154.45</b>
3"	3.688"	4.188"	4.500"	.065"	<b>B2KM-G300</b>	<b>193.90</b>	<b>B2KM-R300</b>	<b>200.65</b>
4"	4.812"	5.437"	6.000"	.083"	<b>B2KM-G400</b>	<b>261.10</b>	<b>B2KM-R400</b>	<b>331.10</b>

N

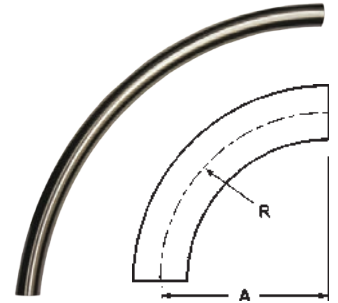
## Weld Sweep Elbows

## Feature:

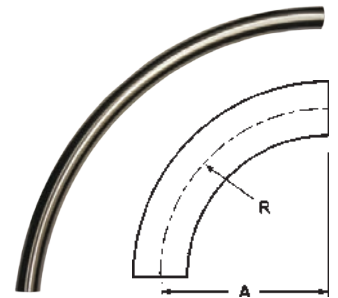
- Available options: call Dixon™ for tangents, 45° and other radii elbows.

Polished 12" 90° Weld Sweep Elbows - B2SXL 

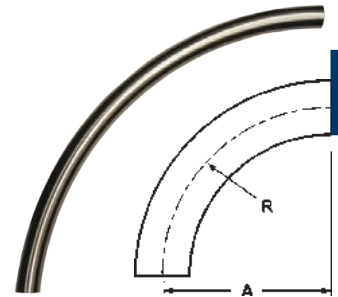
Tube OD	Dimensions		316L Stainless Steel	
	A	R	Part #	Price/E
1½"	12.00"	12.00"	<b>B2SXL12-R150</b>	<b>\$913.55</b>
2"	12.00"	12.00"	<b>B2SXL12-R200</b>	<b>907.30</b>
3"	12.00"	12.00"	<b>B2SXL12-R300</b>	<b>1064.75</b>
4"	12.00"	12.00"	<b>B2SXL12-R400</b>	<b>1450.50</b>

Polished 18" 90° Weld Sweep Elbows - B2SXL 

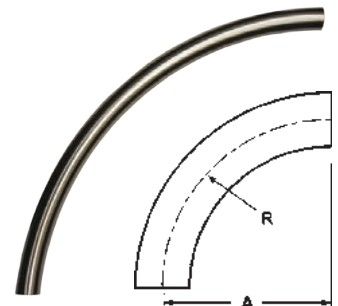
Tube OD	Dimensions		316L Stainless Steel	
	A	R	Part #	Price/E
1½"	18.00"	18.00"	<b>B2SXL18-R150</b>	<b>\$1172.70</b>
2"	18.00"	18.00"	<b>B2SXL18-R200</b>	<b>1172.70</b>
2½"	18.00"	18.00"	<b>B2SXL18-R250</b>	<b>1197.40</b>
3"	18.00"	18.00"	<b>B2SXL18-R300</b>	<b>1419.65</b>

Polished 24" 90° Weld Sweep Elbows - B2SXL 

Tube OD	Dimensions		316L Stainless Steel	
	A	R	Part #	Price/E
1½"	24.00"	24.00"	<b>B2SXL24-R150</b>	<b>\$953.95</b>
2"	24.00"	24.00"	<b>B2SXL24-R200</b>	<b>1197.35</b>
2½"	24.00"	24.00"	<b>B2SXL24-R250</b>	<b>1296.20</b>
3"	24.00"	24.00"	<b>B2SXL24-R300</b>	<b>1573.95</b>

Polished 36" 90° Weld Sweep Elbows - B2SXL 

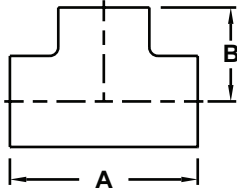
Tube OD	Dimensions		316L Stainless Steel	
	A	R	Part #	Price/E
3"	36.00"	36.00"	<b>B2SXL36-R300</b>	<b>\$2607.80</b>
4"	36.00"	36.00"	<b>B2SXL36-R400</b>	<b>3317.55</b>





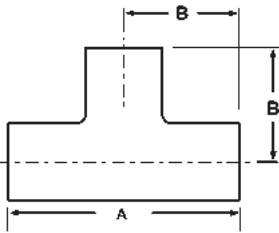
## Weld Tees

## 3 Polished Short Weld Tees - B7WWW



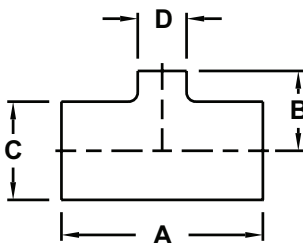
Tube OD	Dimensions		Wall Thickness	polished ID/OD 304 Stainless Steel		polished ID/OD 316L Stainless Steel	
	A	B		Part #	Price/E	Part #	Price/E
1"	2.250"	1.125"	.065"	<b>B7WWW-G100P</b>	<b>\$36.10</b>	<b>B7WWW-R100P</b>	<b>\$42.95</b>
1½"	3.312"	1.656"	.065"	<b>B7WWW-G150P</b>	<b>40.75</b>	<b>B7WWW-R150P</b>	<b>44.95</b>
2"	4.124"	2.062"	.065"	<b>B7WWW-G200P</b>	<b>51.25</b>	<b>B7WWW-R200P</b>	<b>57.00</b>
2½"	4.688"	2.344"	.065"	<b>B7WWW-G250P</b>	<b>63.30</b>	<b>B7WWW-R250P</b>	<b>78.20</b>
3"	5.188"	2.594"	.065"	<b>B7WWW-G300P</b>	<b>89.50</b>	<b>B7WWW-R300P</b>	<b>110.00</b>
4"	6.876"	3.438"	.083"	<b>B7WWW-G400P</b>	<b>138.55</b>	<b>B7WWW-R400P</b>	<b>162.50</b>

## 3 Polished Long Weld Tees - B7W



Tube OD	Dimensions		Wall Thickness	polished ID/OD 304 Stainless Steel		polished ID/OD 316L Stainless Steel	
	A	B		Part #	Price/E	Part #	Price/E
¾"	4.000"	2.000"	.065"	---	---	<b>B7W-R75P</b>	<b>\$136.30</b>
1"	3.750"	1.875"	.065"	<b>B7W-G100P</b>	<b>\$40.85</b>	<b>B7W-R100P</b>	<b>48.50</b>
1½"	4.500"	2.250"	.065"	<b>B7W-G150P</b>	<b>40.80</b>	<b>B7W-R150P</b>	<b>53.45</b>
2"	6.000"	3.000"	.065"	<b>B7W-G200P</b>	<b>48.50</b>	<b>B7W-R200P</b>	<b>75.45</b>
2½"	6.000"	3.000"	.065"	<b>B7W-G250P</b>	<b>66.45</b>	<b>B7W-R250P</b>	<b>104.85</b>
3"	6.500"	3.250"	.065"	<b>B7W-G300P</b>	<b>99.35</b>	<b>B7W-R300P</b>	<b>130.15</b>
4"	7.750"	3.875"	.083"	<b>B7W-G400P</b>	<b>148.20</b>	<b>B7W-R400P</b>	<b>216.70</b>

## 3 Polished Reducing Weld Tees - B7RWWW



Tube OD	Dimensions				Wall Thk.	polished ID/OD 304 Stainless Steel		polished ID/OD 316L Stainless Steel	
	A	B	C	D		Part #	Price/E	Part #	Price/E
1½" x 1"	3.312"	1.375"	1.500"	1.000"	.065"	<b>B7RWWW-G150100P</b>	<b>\$70.05</b>	<b>B7RWWW-R150100P</b>	<b>\$77.75</b>
2" x 1"	4.124"	1.625"	2.000"	1.000"	.065"	<b>B7RWWW-G200100P</b>	<b>86.15</b>	<b>B7RWWW-R200100P</b>	<b>98.55</b>
2" x 1½"	4.124"	1.906"	2.000"	1.500"	.065"	<b>B7RWWW-G200150P</b>	<b>86.15</b>	<b>B7RWWW-R200150P</b>	<b>98.55</b>
2½" x 1½"	4.688"	2.156"	2.500"	1.500"	.065"	<b>B7RWWW-G250150P</b>	<b>94.45</b>	<b>B7RWWW-R250150P</b>	<b>100.85</b>
2½" x 2"	4.688"	2.312"	2.500"	2.000"	.065"	<b>B7RWWW-G250200P</b>	<b>94.45</b>	<b>B7RWWW-R250200P</b>	<b>100.85</b>
3" x 1½"	5.188"	2.406"	3.000"	1.500"	.065"	<b>B7RWWW-G300150P</b>	<b>132.40</b>	<b>B7RWWW-R300150P</b>	<b>160.95</b>
3" x 2"	5.188"	2.562"	3.000"	2.000"	.065"	<b>B7RWWW-G300200P</b>	<b>132.40</b>	<b>B7RWWW-R300200P</b>	<b>160.95</b>
4" x 2"	6.876"	3.062"	4.000"	2.000"	.083"	<b>B7RWWW-G400200P</b>	<b>202.85</b>	<b>B7RWWW-R400200P</b>	<b>257.20</b>
4" x 3"	6.876"	3.094"	4.000"	3.000"	.083"	<b>B7RWWW-G400300P</b>	<b>202.85</b>	<b>B7RWWW-R400300P</b>	<b>257.20</b>

N

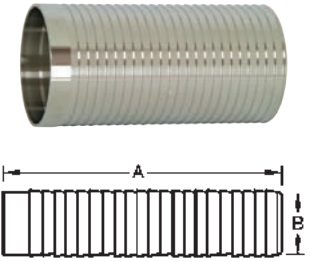
## Weld Adapters

## Long Weld Hose Adapters - 14WHRL

## Feature:

- suitable for use with band clamps

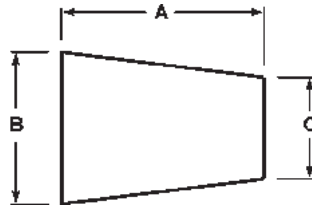
Tube OD	Dimensions		Wall Thickness	316L Stainless Steel	
	A	B		Part #	Price/E
1"	3.000"	1.030"	.116"	<b>14WHRL-R100</b>	<b>\$38.85</b>
1½"	4.500"	1.030"	.116"	<b>14WHRL-R150</b>	<b>66.25</b>
2"	4.500"	2.030"	.116"	<b>14WHRL-R200</b>	<b>84.45</b>
2½"	5.000"	2.530"	.116"	<b>14WHRL-R250</b>	<b>115.50</b>
3"	5.000"	3.030"	.116"	<b>14WHRL-R300</b>	<b>137.75</b>
4"	4.875"	4.030"	.116"	<b>14WHRL-R400</b>	<b>193.15</b>



Use of PVC tubing requires special installation techniques to prevent leakage. All assembly work must be done with heated tube. Cold durometer is 90 as opposed to rubber hose at 65 to 70 durometer.

Banding buckles must be at 180° from one another.

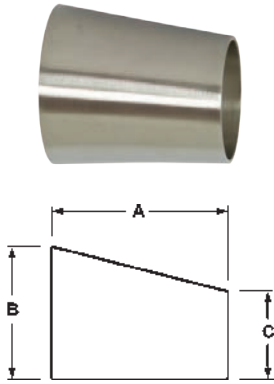
## Weld Reducers

Polished Concentric Weld Reducers - B31W 

Tube OD	Dimensions			Wall Thickness	polished ID/OD 304 Stainless Steel		polished ID/OD 316L Stainless Steel	
	A	B	C		Part #	Price/E	Part #	Price/E
¾" x ½"	1.000"	.750"	.500"	.065"	---	---	<b>B31W-R7550P</b>	<b>\$108.30</b>
1" x ½"	2.000"	1.000"	.500"	.065"	---	---	<b>B31W-R10050P</b>	<b>85.20</b>
1" x ¾"	1.000"	1.000"	.750"	.065"	---	---	<b>B31W-R10075P</b>	<b>103.00</b>
1½" x ¾"	3.000"	1.500"	.750"	.065"	---	---	<b>B31W-R15075P</b>	<b>170.65</b>
1½" x 1"	2.000"	1.500"	1.000"	.065"	<b>B31W-G150100P</b>	<b>\$40.00</b>	<b>B31W-R150100P</b>	<b>56.50</b>
2" x 1"	4.000"	2.000"	1.000"	.065"	<b>B31W-G200100P</b>	<b>70.40</b>	<b>B31W-R200100P</b>	<b>110.75</b>
2" x 1½"	2.000"	2.000"	1.500"	.065"	<b>B31W-G200150P</b>	<b>40.75</b>	<b>B31W-R200150P</b>	<b>68.80</b>
2½" x 1½"	4.000"	2.500"	1.500"	.065"	<b>B31W-G250150P</b>	<b>66.85</b>	<b>B31W-R250150P</b>	<b>111.65</b>
2½" x 2"	2.000"	2.500"	2.000"	.065"	<b>B31W-G250200P</b>	<b>47.50</b>	<b>B31W-R250200P</b>	<b>74.95</b>
3" x 1½"	6.000"	3.000"	1.500"	.065"	<b>B31W-G300150P</b>	<b>123.90</b>	<b>B31W-R300150P</b>	<b>183.40</b>
3" x 2"	4.000"	3.000"	2.000"	.065"	<b>B31W-G300200P</b>	<b>69.80</b>	<b>B31W-R300200P</b>	<b>112.25</b>
3" x 2½"	2.000"	3.000"	2.500"	.065"	<b>B31W-G300250P</b>	<b>82.80</b>	<b>B31W-R300250P</b>	<b>136.75</b>
4" x 2"	8.000"	4.000"	2.000"	.083"	<b>B31W-G400200P</b>	<b>180.05</b>	<b>B31W-R400200P</b>	<b>251.75</b>
4" x 2½"	6.000"	4.000"	2.500"	.083"	<b>B31W-G400250P</b>	<b>193.00</b>	<b>B31W-R400250P</b>	<b>232.15</b>
4" x 3"	4.000"	4.000"	3.000"	.083"	<b>B31W-G400300P</b>	<b>103.45</b>	<b>B31W-R400300P</b>	<b>131.70</b>
6" x 3"	5.500"	6.000"	3.000"	.109"	<b>B31W-G600300P</b>	<b>316.55</b>	<b>B31W-R600300P</b>	<b>470.90</b>
6" x 4"	5.500"	6.000"	4.000"	.109"	<b>B31W-G600400P</b>	<b>317.70</b>	<b>B31W-R600400P</b>	<b>351.60</b>

## Weld Reducers

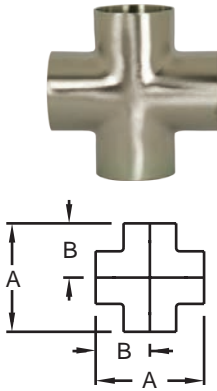
## Polished Eccentric Weld Reducers - B32W



Tube OD	Dimensions			Wall Thk.	polished ID/OD 304 Stainless Steel		polished ID/OD 316L Stainless Steel	
	A	B	C		Part #	Price/E	Part #	Price/E
1" x 1/2"	2.000"	1.000"	.500"	.065"	---	---	<b>B32W-R10050P</b>	<b>\$181.40</b>
2" x 1"	4.000"	2.000"	1.000"	.065"	<b>B32W-G200100P</b>	<b>\$146.30</b>	<b>B32W-R200100P</b>	<b>161.85</b>
2" x 1 1/2"	2.000"	2.000"	1.500"	.065"	<b>B32W-G200150P</b>	<b>67.70</b>	<b>B32W-R200150P</b>	<b>91.75</b>
2 1/2" x 2"	2.000"	2.500"	2.000"	.065"	<b>B32W-G250200P</b>	<b>71.00</b>	<b>B32W-R250200P</b>	<b>93.95</b>
3" x 2"	4.000"	3.000"	2.000"	.065"	<b>B32W-G300200P</b>	<b>114.90</b>	<b>B32W-R300200P</b>	<b>129.85</b>
3" x 2 1/2"	2.000"	3.000"	2.500"	.065"	<b>B32W-G300250P</b>	<b>124.70</b>	<b>B32W-R300250P</b>	<b>145.05</b>
4" x 2"	8.000"	4.000"	2.000"	.083"	<b>B32W-G400200P</b>	<b>238.55</b>	<b>B32W-R400200P</b>	<b>280.50</b>
4" x 3"	4.000"	4.000"	3.000"	.083"	<b>B32W-G400300P</b>	<b>137.15</b>	<b>B32W-R400300P</b>	<b>189.15</b>

## Weld Crosses

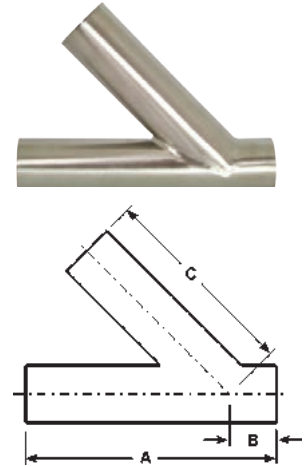
## Polished Weld Crosses - B9WWWW



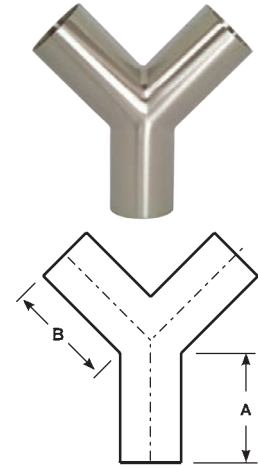
Tube OD	Dimensions		Wall Thickness	polished ID/OD 304 Stainless Steel		polished ID/OD 316L Stainless Steel	
	A	B		Part #	Price/E	Part #	Price/E
1 1/2"	3.312"	1.656"	.065"	<b>B9WWWW-G150P</b>	<b>\$174.65</b>	<b>B9WWWW-R150P</b>	<b>\$320.05</b>
2"	4.125"	2.062"	.065"	<b>B9WWWW-G200P</b>	<b>217.75</b>	<b>B9WWWW-R200P</b>	<b>364.80</b>
3"	5.187"	2.593"	.065"	<b>B9WWWW-G300P</b>	<b>314.30</b>	<b>B9WWWW-R300P</b>	<b>591.75</b>
4"	6.875"	3.437"	.083"	<b>B9WWWW-G400P</b>	<b>484.95</b>	<b>B9WWWW-R400P</b>	<b>756.50</b>

Miscellaneous **Weld Configurations**Polished Weld Laterals - *B28WA* 

Tube OD	Dimensions			Wall Thickness	polished ID/OD 316L Stainless Steel	
	A	B	C		Part #	Price/E
1"	6.000"	1.000"	5.000"	.065"	<b>B28WA-R100P</b>	<b>\$476.20</b>
1½"	7.375"	1.188"	6.188"	.065"	<b>B28WA-R150P</b>	<b>476.20</b>
2"	8.750"	1.625"	7.125"	.065"	<b>B28WA-R200P</b>	<b>566.60</b>
2½"	10.000"	1.500"	8.500"	.065"	<b>B28WA-R250P</b>	<b>684.00</b>
3"	10.750"	1.875"	8.875"	.065"	<b>B28WA-R300P</b>	<b>784.80</b>
4"	12.812"	2.015"	10.750"	.083"	<b>B28WA-R400P</b>	<b>1242.10</b>

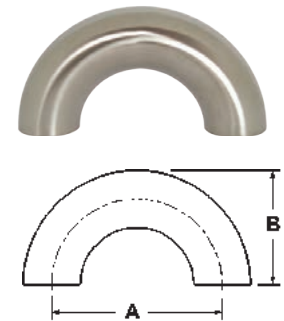
Polished Weld True Wyes - *B28W* 

Tube OD	Dimensions		Wall Thickness	polished ID/OD 316L Stainless Steel	
	A	B		Part #	Price/E
1"	2.000"	2.438"	.065"	<b>B28W-R100P</b>	<b>\$430.25</b>
1½"	2.000"	2.438"	.065"	<b>B28W-R150P</b>	<b>448.15</b>
2"	2.625"	3.250"	.065"	<b>B28W-R200P</b>	<b>493.90</b>
2½"	3.370"	4.125"	.065"	<b>B28W-R250P</b>	<b>685.20</b>
3"	4.000"	4.875"	.065"	<b>B28W-R300P</b>	<b>740.85</b>
4"	5.375"	5.375"	.083"	<b>B28W-R400P</b>	<b>1116.55</b>

Polished Weld 180° Return Bends - *B2WUL* **Feature:**

- bends are standard 1.5 x tube diameter

Tube OD	Dimensions		polished ID/OD 316L Stainless Steel	
	A	B	Part #	Price/E
1"	3.000"	2.000"	<b>B2WUL-R100P</b>	<b>\$208.65</b>
1½"	4.500"	3.000"	<b>B2WUL-R150P</b>	<b>322.55</b>
2"	6.000"	4.000"	<b>B2WUL-R200P</b>	<b>415.35</b>
2½"	7.500"	5.000"	<b>B2WUL-R250P</b>	<b>525.00</b>
3"	9.000"	6.000"	<b>B2WUL-R300P</b>	<b>721.50</b>
4"	12.000"	8.000"	<b>B2WUL-R400P</b>	<b>814.20</b>



## Weld End Blue Protection Covers - BCW

## Feature:

- Use these covers to protect all weld ends on fittings and valves.



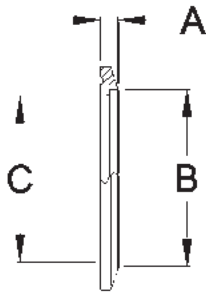
Size	Vinyl Plastic Part #	Price/E
1/2"	<b>BCW-050</b>	<b>\$0.55</b>
3/4"	<b>BCW-075</b>	<b>0.90</b>
1"	<b>BCW-100</b>	<b>1.30</b>
1 1/2"	<b>BCW-150</b>	<b>1.65</b>
2"	<b>BCW-200</b>	<b>2.15</b>
2 1/2"	<b>BCW-250</b>	<b>2.90</b>
3"	<b>BCW-300</b>	<b>3.55</b>
4"	<b>BCW-400</b>	<b>5.30</b>
6"	<b>BCW-600</b>	<b>12.50</b>
8"	<b>BCW-800</b>	<b>23.65</b>

## Quick Weld Ferrules



## Features:

- 304 stainless construction
- just slip onto sanitary OD tube and weld
- butt weld is not needed



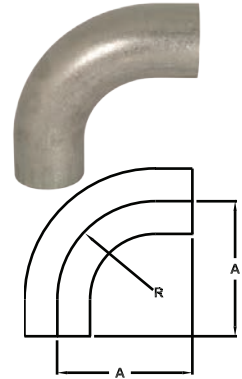
Tube OD	Dimensions			304 Stainless Steel	
	A	B	C	Part #	Price/E
1"	0.290"	1.005"	0.870"	<b>14QMP-G100</b>	<b>\$7.45</b>
1 1/2"	0.199"	1.505"	1.370"	<b>14QMP-G150</b>	<b>7.45</b>
2"	0.205"	2.005"	1.870"	<b>14QMP-G200</b>	<b>9.50</b>
2 1/2"	0.210"	2.505"	2.370"	<b>14QMP-G250</b>	<b>11.45</b>
3"	0.257"	3.005"	2.870"	<b>14QMP-G300</b>	<b>14.35</b>
4"	0.235"	4.005"	3.834"	<b>14QMP-G400</b>	<b>21.80</b>
6"	0.321"	6.005"	5.782"	<b>14QMP-G600</b>	<b>56.15</b>

N

## Unpolished Elbows

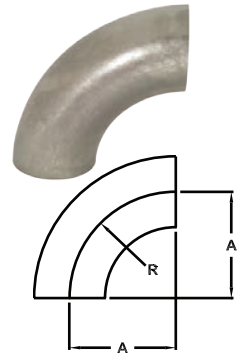
### Unpolished 90° Weld Elbows with Tangents - B2S

Tube OD	Dimensions		Wall Thickness	unpolished 304 Stainless Steel		unpolished 316L Stainless Steel	
	A	R		Part #	Price/E	Part #	Price/E
¾"	3.000"	1.125"	.065"	---	---	<b>B2S-R75U</b>	<b>\$69.30</b>
1"	2.062"	1.500"	.065"	<b>B2S-G100U</b>	<b>\$21.35</b>	<b>B2S-R100U</b>	<b>28.10</b>
1½"	2.937"	2.250"	.065"	<b>B2S-G150U</b>	<b>24.55</b>	<b>B2S-R150U</b>	<b>32.15</b>
2"	4.062"	3.000"	.065"	<b>B2S-G200U</b>	<b>29.55</b>	<b>B2S-R200U</b>	<b>43.30</b>
2½"	5.187"	3.750"	.065"	<b>B2S-G250U</b>	<b>42.75</b>	<b>B2S-R250U</b>	<b>68.00</b>
3"	6.312"	4.500"	.065"	<b>B2S-G300U</b>	<b>67.00</b>	<b>B2S-R300U</b>	<b>100.15</b>
4"	8.312"	6.000"	.083"	<b>B2S-G400U</b>	<b>119.30</b>	<b>B2S-R400U</b>	<b>191.25</b>



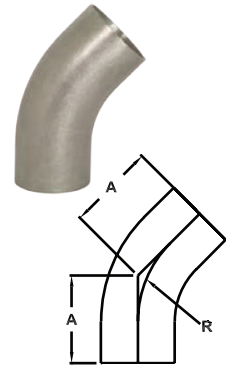
### Unpolished 90° Weld Elbows - B2WCL

Tube OD	Dimensions		Wall Thickness	unpolished 304 Stainless Steel		unpolished 316L Stainless Steel	
	A	R		Part #	Price/E	Part #	Price/E
½"	1.125"	1.125"	.065"	---	---	<b>B2WCL-R50U</b>	<b>\$25.25</b>
¾"	1.125"	1.125"	.065"	---	---	<b>B2WCL-R75U</b>	<b>27.00</b>
1"	1.500"	1.500"	.065"	<b>B2WCL-G100U</b>	<b>\$13.95</b>	<b>B2WCL-R100U</b>	<b>18.30</b>
1½"	2.250"	2.250"	.065"	<b>B2WCL-G150U</b>	<b>14.90</b>	<b>B2WCL-R150U</b>	<b>18.80</b>
2"	3.000"	3.000"	.065"	<b>B2WCL-G200U</b>	<b>20.70</b>	<b>B2WCL-R200U</b>	<b>27.15</b>
2½"	3.750"	3.750"	.065"	<b>B2WCL-G250U</b>	<b>33.45</b>	<b>B2WCL-R250U</b>	<b>43.10</b>
3"	4.500"	4.500"	.065"	<b>B2WCL-G300U</b>	<b>48.25</b>	<b>B2WCL-R300U</b>	<b>62.90</b>
4"	6.000"	6.000"	.083"	<b>B2WCL-G400U</b>	<b>96.05</b>	<b>B2WCL-R400U</b>	<b>122.20</b>
6"	9.000"	9.000"	.109"	<b>B2WCL-G600U</b>	<b>356.00</b>	<b>B2WCL-R600U</b>	<b>433.05</b>
8"	12.000"	12.000"	.120"	<b>B2WCL-G800U</b>	<b>642.65</b>	<b>B2WCL-R800U</b>	<b>826.70</b>



### Unpolished 45° Long Weld Elbows with Tangents - B2KS

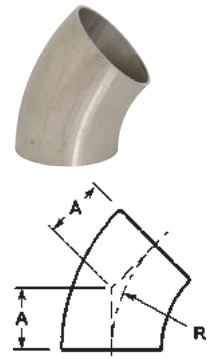
Tube OD	Dimension		Wall Thickness	unpolished 304 Stainless Steel		unpolished 316L Stainless Steel	
	A	R		Part #	Price/E	Part #	Price/E
¾"	2.250"	1.125"	.065"	---	---	<b>B2KS-R75U</b>	<b>\$108.20</b>
1"	1.188"	1.500"	.065"	<b>B2KS-G100U</b>	<b>\$19.50</b>	<b>B2KS-R100U</b>	<b>23.75</b>
1½"	1.625"	2.250"	.065"	<b>B2KS-G150U</b>	<b>20.80</b>	<b>B2KS-R150U</b>	<b>27.90</b>
2"	2.312"	3.000"	.065"	<b>B2KS-G200U</b>	<b>27.30</b>	<b>B2KS-R200U</b>	<b>35.45</b>
2½"	3.000"	3.750"	.065"	<b>B2KS-G250U</b>	<b>37.15</b>	<b>B2KS-R250U</b>	<b>54.90</b>
3"	3.688"	4.500"	.065"	<b>B2KS-G300U</b>	<b>52.00</b>	<b>B2KS-R300U</b>	<b>73.30</b>
4"	4.812"	6.000"	.083"	<b>B2KS-G400U</b>	<b>95.55</b>	<b>B2KS-R400U</b>	<b>128.45</b>

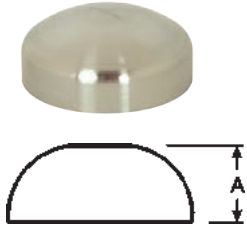


N

### Unpolished 45° Weld Elbows - B2WK

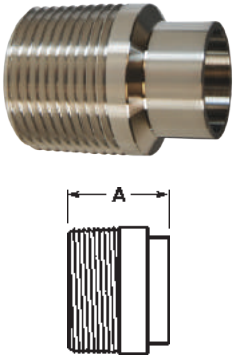
Tube OD	Dimensions		Wall Thickness	unpolished 304 Stainless Steel		unpolished 316L Stainless Steel	
	A	R		Part #	Price/E	Part #	Price/E
¾"	.466"	1.125"	.065"	---	---	<b>B2WK-R75U</b>	<b>\$50.00</b>
1"	.625"	1.500"	.065"	<b>B2WK-G100U</b>	<b>\$17.35</b>	<b>B2WK-R100U</b>	<b>19.15</b>
1½"	.937"	2.250"	.065"	<b>B2WK-G150U</b>	<b>14.20</b>	<b>B2WK-R150U</b>	<b>18.50</b>
2"	1.250"	3.000"	.065"	<b>B2WK-G200U</b>	<b>18.30</b>	<b>B2WK-R200U</b>	<b>22.10</b>
2½"	1.562"	3.750"	.065"	<b>B2WK-G250U</b>	<b>26.05</b>	<b>B2WK-R250U</b>	<b>35.05</b>
3"	1.875"	4.500"	.065"	<b>B2WK-G300U</b>	<b>33.45</b>	<b>B2WK-R300U</b>	<b>48.30</b>
4"	2.500"	6.000"	.083"	<b>B2WK-G400U</b>	<b>73.20</b>	<b>B2WK-R400U</b>	<b>93.85</b>
6"	3.750"	9.000"	.109"	<b>B2WK-G600U</b>	<b>292.15</b>	<b>B2WK-R600U</b>	<b>382.45</b>
8"	5.000"	12.000"	.120"	<b>B2WK-G800U</b>	<b>454.60</b>	<b>B2WK-R800U</b>	<b>551.20</b>



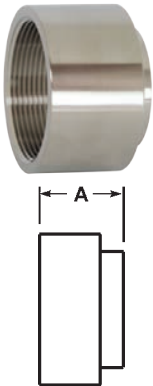
Unpolished End Caps - *B16W*

Tube OD	Dimension A	unpolished 304 Stainless Steel	
		Part #	Price/E
1"	.375"	<b>B16W-G100</b>	<b>\$10.30</b>
1½"	.562"	<b>B16W-G150</b>	<b>12.35</b>
2"	.750"	<b>B16W-G200</b>	<b>20.95</b>
2½"	1.000"	<b>B16W-G250</b>	<b>28.40</b>
3"	1.250"	<b>B16W-G300</b>	<b>33.85</b>
4"	1.500"	<b>B16W-G400</b>	<b>61.25</b>

## Unpolished Adapters

Male NPT x Weld End Adapters - *B19WB*

Tube OD	Dimension A	Wall Thickness	304 Stainless Steel	
			Part #	Price/E
1"	1.750"	.065"	<b>B19WB-G100</b>	<b>\$19.10</b>
1½"	1.750"	.065"	<b>B19WB-G150</b>	<b>24.65</b>
2"	1.812"	.065"	<b>B19WB-G200</b>	<b>33.90</b>
2½"	2.312"	.065"	<b>B19WB-G250</b>	<b>56.90</b>
3"	2.500"	.065"	<b>B19WB-G300</b>	<b>78.70</b>
4"	2.562"	.083"	<b>B19WB-G400</b>	<b>150.60</b>

Female NPT x Weld End Adapters - *B22WB*

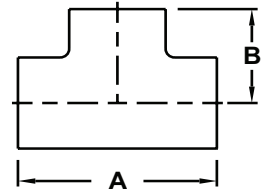
Tube OD	Dimension A	Wall Thickness	304 Stainless Steel	
			Part #	Price/E
1"	1.750"	.065"	<b>B22WB-G100</b>	<b>\$128.60</b>
1½"	1.750"	.065"	<b>B22WB-G150</b>	<b>150.45</b>
2"	1.812"	.065"	<b>B22WB-G200</b>	<b>193.65</b>
2½"	2.312"	.065"	<b>B22WB-G250</b>	<b>301.25</b>
3"	2.500"	.065"	<b>B22WB-G300</b>	<b>320.80</b>
4"	2.500"	.083"	<b>B22WB-G400</b>	<b>428.00</b>

N

## Unpolished Tees

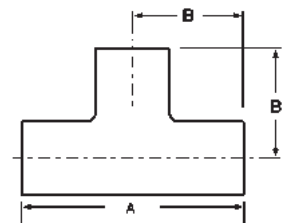
## Unpolished Short Weld Tees - B7WWW

Tube OD	Dimensions		Wall Thickness	unpolished 304 Stainless Steel		unpolished 316L Stainless Steel	
	A	B		Part #	Price/E	Part #	Price/E
1"	2.250	1.125	.065	<b>B7WWW-G100U</b>	<b>\$20.30</b>	<b>B7WWW-R100U</b>	<b>\$30.15</b>
1½"	3.312	1.656	.065	<b>B7WWW-G150U</b>	<b>21.70</b>	<b>B7WWW-R150U</b>	<b>39.60</b>
2"	4.124	2.062	.065	<b>B7WWW-G200U</b>	<b>27.60</b>	<b>B7WWW-R200U</b>	<b>48.75</b>
2½"	4.688	2.344	.065	<b>B7WWW-G250U</b>	<b>42.10</b>	<b>B7WWW-R250U</b>	<b>80.60</b>
3"	5.188	2.594	.065	<b>B7WWW-G300U</b>	<b>56.90</b>	<b>B7WWW-R300U</b>	<b>82.50</b>
4"	6.876	3.438	.083	<b>B7WWW-G400U</b>	<b>117.85</b>	<b>B7WWW-R400U</b>	<b>153.05</b>



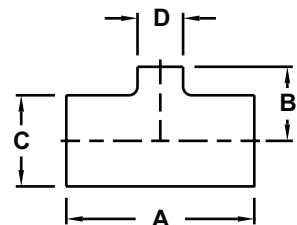
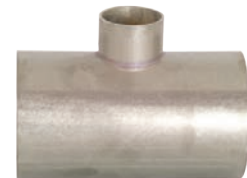
## Unpolished Long Weld Tees - B7W

Tube OD	Dimensions		Wall Thickness	unpolished 304 Stainless Steel		unpolished 316L Stainless Steel	
	A	B		Part #	Price/E	Part #	Price/E
¾"	4.000	2.000	.065	---	---	<b>B7W-R75U</b>	<b>\$95.00</b>
1"	3.750	1.875	.065	<b>B7W-G100U</b>	<b>\$22.90</b>	<b>B7W-R100U</b>	<b>29.25</b>
1½"	4.500	2.250	.065	<b>B7W-G150U</b>	<b>25.35</b>	<b>B7W-R150U</b>	<b>37.15</b>
2"	6.000	3.000	.065	<b>B7W-G200U</b>	<b>31.10</b>	<b>B7W-R200U</b>	<b>44.90</b>
2½"	6.000	3.000	.065	<b>B7W-G250U</b>	<b>44.65</b>	<b>B7W-R250U</b>	<b>68.60</b>
3"	6.500	3.250	.065	<b>B7W-G300U</b>	<b>60.70</b>	<b>B7W-R300U</b>	<b>96.75</b>
4"	7.750	3.875	.083	<b>B7W-G400U</b>	<b>100.05</b>	<b>B7W-R400U</b>	<b>206.90</b>



## Unpolished Reducing Weld Tees - B7RWWW

Tube OD	Dimensions				Wall Thk.	unpolished 304 Stainless Steel		unpolished 316L Stainless Steel	
	A	B	C	D		Part #	Price/E	Part #	Price/E
1½" x 1"	3.312"	1.375"	1.500"	1.000"	.065"	<b>B7RWWW-G150100U</b>	<b>\$36.20</b>	<b>B7RWWW-R150100U</b>	<b>\$59.70</b>
2" x 1"	4.124"	1.625"	2.000"	1.000"	.065"	<b>B7RWWW-G200100U</b>	<b>45.20</b>	<b>B7RWWW-R200100U</b>	<b>97.10</b>
2" x 1½"	4.124"	1.906"	2.000"	1.500"	.065"	<b>B7RWWW-G200150U</b>	<b>45.20</b>	<b>B7RWWW-R200150U</b>	<b>97.10</b>
2½" x 1½"	4.688"	2.156"	2.500"	1.500"	.065"	<b>B7RWWW-G250150U</b>	<b>70.65</b>	<b>B7RWWW-R250150U</b>	<b>79.80</b>
2½" x 2"	4.688"	2.312"	2.500"	2.000"	.065"	<b>B7RWWW-G250200U</b>	<b>70.65</b>	<b>B7RWWW-R250200U</b>	<b>79.80</b>
3" x 1½"	5.188"	2.406"	3.000"	1.500"	.065"	<b>B7RWWW-G300150U</b>	<b>103.10</b>	<b>B7RWWW-R300150U</b>	<b>160.05</b>
3" x 2"	5.188"	2.562"	3.000"	2.000"	.065"	<b>B7RWWW-G300200U</b>	<b>103.10</b>	<b>B7RWWW-R300200U</b>	<b>160.05</b>
4" x 2"	6.876"	3.062"	4.000"	2.000"	.083"	<b>B7RWWW-G400200U</b>	<b>114.70</b>	<b>B7RWWW-R400200U</b>	<b>165.80</b>
4" x 3"	6.876"	3.094"	4.000"	3.000"	.083"	<b>B7RWWW-G400300U</b>	<b>114.70</b>	<b>B7RWWW-R400300U</b>	<b>165.80</b>

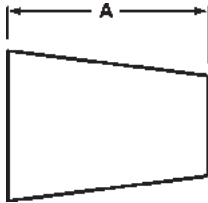


N



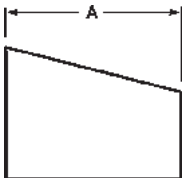
## Unpolished Weld Reducers

## Unpolished Concentric Weld Reducers - B31W



Tube OD	Dim. A	Wall Thickness	unpolished 304 Stainless Steel		unpolished 316L Stainless Steel	
			Part #	Price/E	Part #	Price/E
¾" x ½"	1.000"	.065"	---	---	<b>B31W-R7550U</b>	<b>\$74.30</b>
1" x ½"	2.000"	.065"	---	---	<b>B31W-R10050U</b>	<b>82.35</b>
1" x ¾"	1.000"	.065"	---	---	<b>B31W-R10075U</b>	<b>82.35</b>
1½" x ¾"	3.000"	.065"	---	---	<b>B31W-R15075U</b>	<b>162.05</b>
1½" x 1"	2.000"	.065"	<b>B31W-G150100U</b>	<b>\$21.70</b>	<b>B31W-R150100U</b>	<b>27.45</b>
2" x 1"	4.000"	.065"	<b>B31W-G200100U</b>	<b>40.45</b>	<b>B31W-R200100U</b>	<b>61.60</b>
2" x 1½"	2.000"	.065"	<b>B31W-G200150U</b>	<b>24.45</b>	<b>B31W-R200150U</b>	<b>31.30</b>
2½" x 1½"	4.000"	.065"	<b>B31W-G250150U</b>	<b>50.50</b>	<b>B31W-R250150U</b>	<b>65.95</b>
2½" x 2"	2.000"	.065"	<b>B31W-G250200U</b>	<b>29.05</b>	<b>B31W-R250200U</b>	<b>34.80</b>
3" x 1½"	6.000"	.065"	<b>B31W-G300150U</b>	<b>83.90</b>	<b>B31W-R300150U</b>	<b>132.15</b>
3" x 2"	4.000"	.065"	<b>B31W-G300200U</b>	<b>49.20</b>	<b>B31W-R300200U</b>	<b>61.75</b>
3" x 2½"	2.000"	.065"	<b>B31W-G300250U</b>	<b>38.35</b>	<b>B31W-R300250U</b>	<b>47.80</b>
4" x 2"	8.000"	.083"	<b>B31W-G400200U</b>	<b>121.05</b>	<b>B31W-R400200U</b>	<b>138.30</b>
4" x 2½"	6.000"	.083"	<b>B31W-G400250U</b>	<b>116.05</b>	<b>B31W-R400250U</b>	<b>214.15</b>
4" x 3"	4.000"	.083"	<b>B31W-G400300U</b>	<b>49.65</b>	<b>B31W-R400300U</b>	<b>66.85</b>
6" x 4"	5.500"	.109"	<b>B31W-G600400U</b>	<b>314.00</b>	<b>B31W-R600400U</b>	<b>433.90</b>

## Unpolished Eccentric Weld Reducers - B32W



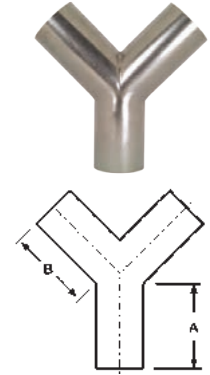
Tube OD	Dim. A	Wall Thickness	unpolished 304 Stainless Steel		unpolished 316L Stainless Steel	
			Part #	Price/E	Part #	Price/E
1" x ½"	2.000"	.065"	---	---	<b>B32W-R10050U</b>	<b>\$96.65</b>
2" x 1"	4.000"	.065"	<b>B32W-G200100U</b>	<b>\$59.75</b>	<b>B32W-R200100U</b>	<b>126.40</b>
2" x 1½"	2.000"	.065"	<b>B32W-G200150U</b>	<b>33.95</b>	<b>B32W-R200150U</b>	<b>36.55</b>
2½" x 2"	2.000"	.065"	<b>B32W-G250200U</b>	<b>44.90</b>	<b>B32W-R250200U</b>	<b>46.80</b>
3" x 2"	4.000"	.065"	<b>B32W-G300200U</b>	<b>67.20</b>	<b>B32W-R300200U</b>	<b>93.70</b>
3" x 2½"	2.000"	.065"	<b>B32W-G300250U</b>	<b>87.65</b>	<b>B32W-R300250U</b>	<b>105.70</b>
4" x 2"	8.000"	.083"	<b>B32W-G400200U</b>	<b>180.90</b>	<b>B32W-R400200U</b>	<b>239.25</b>
4" x 3"	4.000"	.083"	<b>B32W-G400300U</b>	<b>77.40</b>	<b>B32W-R400300U</b>	<b>117.95</b>

N

## Unpolished Miscellaneous Configurations

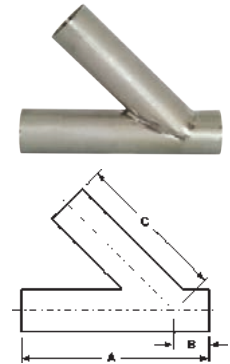
### Unpolished Weld True Wyes - B28W

Tube OD	Dimensions		Wall Thickness	unpolished 316L Stainless Steel	
	A	B		Part #	Price/E
1"	2.000"	2.438"	.065"	<b>B28W-R100U</b>	<b>\$340.85</b>
1½"	2.000"	2.438"	.065"	<b>B28W-R150U</b>	<b>436.20</b>
2"	2.625"	3.250"	.065"	<b>B28W-R200U</b>	<b>482.45</b>
2½"	3.370"	4.125"	.065"	<b>B28W-R250U</b>	<b>681.25</b>
3"	4.000"	4.875"	.065"	<b>B28W-R300U</b>	<b>694.95</b>
4"	5.375"	5.375"	.083"	<b>B28W-R400U</b>	<b>768.10</b>



### Unpolished Weld Laterals - B28WA

Tube OD	Dimensions			Wall Thickness	unpolished 316L Stainless Steel	
	A	B	C		Part #	Price/E
1"	6.000"	1.000"	5.000"	.065"	<b>B28WA-R100U</b>	<b>\$390.15</b>
1½"	7.375"	1.188"	6.188"	.065"	<b>B28WA-R150U</b>	<b>455.20</b>
2"	8.750"	1.625"	7.125"	.065"	<b>B28WA-R200U</b>	<b>431.65</b>
2½"	10.000"	1.500"	8.500"	.065"	<b>B28WA-R250U</b>	<b>483.95</b>
3"	10.750"	1.875"	8.875"	.065"	<b>B28WA-R300U</b>	<b>631.80</b>
4"	12.812"	2.015"	10.750"	.083"	<b>B28WA-R400U</b>	<b>670.60</b>

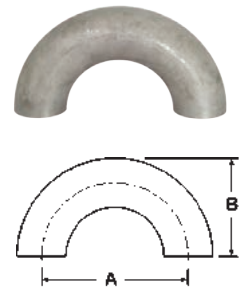


### Unpolished Weld 180° Return Bends - B2WUL

**Feature:**

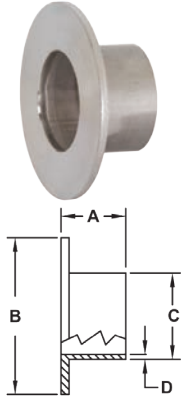
- bends are standard 1.5 x tube diameter

Tube OD	Dimensions		Wall Thickness	unpolished 316L Stainless Steel	
	A	B		Part #	Price/E
1"	3.000"	2.000"	.065"	<b>B2WUL-R100U</b>	<b>\$149.45</b>
1½"	4.500"	3.000"	.065"	<b>B2WUL-R150U</b>	<b>168.90</b>
2"	6.000"	4.000"	.065"	<b>B2WUL-R200U</b>	<b>239.45</b>
2½"	7.500"	5.000"	.065"	---	---
3"	9.000"	6.000"	.065"	<b>B2WUL-R300U</b>	<b>434.50</b>
4"	12.000"	8.000"	.083"	<b>B2WUL-R400U</b>	<b>491.25</b>


**N**

See pages 500 for weld end protection covers.

## Unpolished Type A Stub Ends - 14VB

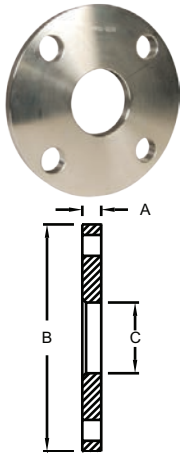
**Feature:**

- typically used with B38SL flanges

Tube OD	Dimensions				316L Stainless Steel	
	A	B	C	D	Part #	Price/E
1"	1.625"	2.000"	1.000"	.065"	<b>14VB-R100</b>	<b>\$67.50</b>
1½"	1.750"	2.875"	1.500"	.065"	<b>14VB-R150</b>	<b>76.65</b>
2"	1.500"	3.625"	2.000"	.065"	<b>14VB-R200</b>	<b>114.95</b>
2½"	2.000"	4.125"	2.500"	.065"	<b>14VB-R250</b>	<b>153.20</b>
3"	2.250"	5.000"	3.000"	.065"	<b>14VB-R300</b>	<b>191.55</b>
4"	2.625"	6.187"	4.000"	.084"	<b>14VB-R400</b>	<b>306.35</b>
6"	3.000"	8.500"	6.000"	.109"	<b>14VB-R600</b>	<b>595.90</b>
8"	3.000"	10.625"	8.000"	.120"	<b>14VB-R800</b>	<b>1002.55</b>

## Flanges

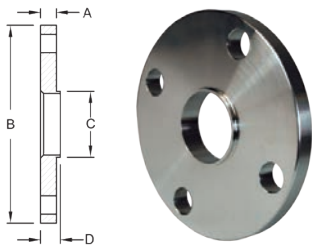
## Unpolished Slip-On 150# Flanges - B38SL



Tube OD	Dimensions			Number & Diameter Bolt Holes	Bolt Circle	304 Stainless Steel		316L Stainless Steel	
	A	B	C			Part #	Price/E	Part #	Price/E
1"	.375"	4.250"	1.063"	4/.625"	3.125"	<b>B38SL-G100</b>	<b>\$90.25</b>	<b>B38SL-R100</b>	<b>\$125.00</b>
1½"	.375"	5.000"	1.563"	4/.625"	3.875"	<b>B38SL-G150</b>	<b>112.20</b>	<b>B38SL-R150</b>	<b>152.75</b>
2"	.437"	6.000"	2.063"	4/.750"	4.750"	<b>B38SL-G200</b>	<b>138.50</b>	<b>B38SL-R200</b>	<b>256.75</b>
3"	.500"	7.500"	3.063"	4/.750"	6.000"	<b>B38SL-G300</b>	<b>250.60</b>	<b>B38SL-R300</b>	<b>468.05</b>
4"	.562"	9.000"	4.063"	8/.750"	7.500"	<b>B38SL-G400</b>	<b>343.55</b>	<b>B38SL-R400</b>	<b>663.60</b>
6"	.562"	11.000"	6.063"	8/.875"	9.500"	<b>B38SL-G600</b>	<b>530.85</b>	<b>B38SL-R600</b>	<b>873.20</b>
8"	.687"	13.500"	8.063"	8/.875"	11.750"	<b>B38SL-G800</b>	<b>1061.75</b>	<b>B38SL-R800</b>	<b>1536.65</b>

N

## Unpolished Weld Neck Flanges - B38W



Tube OD	Dimensions				Number & Diameter Bolt Holes	Bolt Circle	316L Stainless Steel	
	A	B	C	D			Part #	Price/E
1"	.375"	4.250"	1.000"	.500"	4/.625"	3.125"	<b>B38W-R100</b>	<b>\$216.10</b>
1½"	.375"	5.000"	1.500"	.500"	4/.625"	3.875"	<b>B38W-R150</b>	<b>247.05</b>
2"	.500"	6.000"	2.000"	.625"	4/.750"	4.750"	<b>B38W-R200</b>	<b>295.40</b>
2½"	.500"	7.000"	2.500"	.625"	4/.750"	5.500"	<b>B38W-R250</b>	<b>412.70</b>
3"	.500"	7.500"	3.000"	.625"	4/.750"	6.000"	<b>B38W-R300</b>	<b>471.95</b>
4"	.500"	9.000"	4.000"	.625"	8/.750"	7.500"	<b>B38W-R400</b>	<b>613.90</b>
6"	.500"	11.000"	6.000"	.625"	8/.875"	9.500"	<b>B38W-R600</b>	<b>2562.00</b>
8"	.500"	13.500"	8.000"	.625"	8/.875"	11.750"	<b>B38W-R800</b>	<b>3519.80</b>

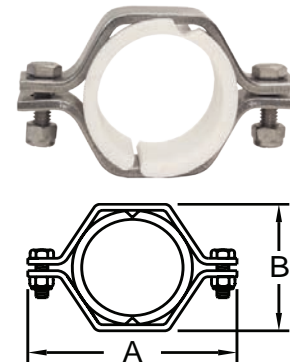
## Tube Hangers

### Hex Tube Hanger with ABS Sleeve - B24PS

**Feature:**

- maximum temperatures: **230°F**

Tube OD	Dimensions		304 Stainless Steel	
	A	B	Part #	Price/E
½"	2.800"	1.150"	<b>B24PS-G50</b>	<b>\$9.25</b>
¾"	2.800"	1.150"	<b>B24PS-G75</b>	<b>9.25</b>
1"	3.425"	1.450"	<b>B24PS-G100</b>	<b>12.40</b>
1½"	4.000"	2.125"	<b>B24PS-G150</b>	<b>13.60</b>
2"	4.500"	2.500"	<b>B24PS-G200</b>	<b>16.25</b>
2½"	4.950"	3.125"	<b>B24PS-G250</b>	<b>18.95</b>
3"	5.500"	3.750"	<b>B24PS-G300</b>	<b>21.30</b>
4"	6.950"	4.750"	<b>B24PS-G400</b>	<b>28.05</b>
5"	8.063"	5.625"	<b>B24PS-G500</b>	<b>79.90</b>
6"	9.250"	6.625"	<b>B24PS-G600</b>	<b>69.85</b>
8"	11.500"	8.625"	<b>B24PS-G800</b>	<b>112.25</b>



### Sleeves - 13PS

**Features:**

- maximum temperature: **230°F**
- high temperature sleeves are also available, contact Dixon™

Size	ABS		Size	ABS	
	Part #	Price/E		Part #	Price/E
½"	<b>13PS-50</b>	<b>\$7.05</b>	3"	<b>13PS-300</b>	<b>\$8.50</b>
¾"	<b>13PS-75</b>	<b>7.05</b>	4"	<b>13PS-400</b>	<b>10.75</b>
1"	<b>13PS-100</b>	<b>5.65</b>	5"	<b>13PS-500</b>	<b>64.40</b>
1½"	<b>13PS-150</b>	<b>5.65</b>	6"	<b>13PS-600</b>	<b>17.20</b>
2"	<b>13PS-200</b>	<b>5.65</b>	8"	<b>13PS-800</b>	<b>33.55</b>
2½"	<b>13PS-250</b>	<b>8.20</b>			

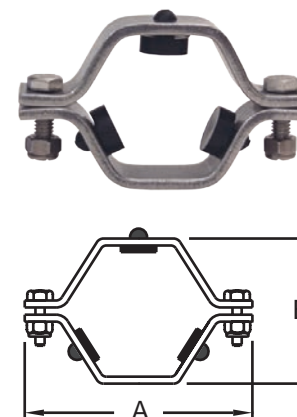


### Hex Tube Hanger with Nitrile Grommets - B24RG

**Features:**

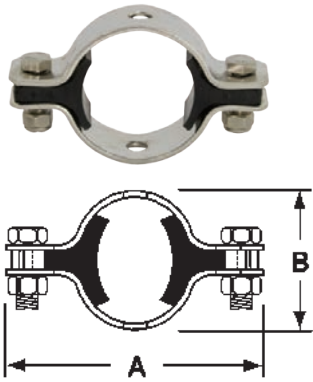
- replacement grommets are available, contact Dixon™
- nitrile grommets; maximum temperature: **230°F**

Tube OD	Dimensions		304 Stainless Steel	
	A	B	Part #	Price/E
½" - ¾"	3.425"	1.450"	<b>B24RG-G75</b>	<b>\$11.35</b>
1"	3.425"	1.450"	<b>B24RG-G100</b>	<b>11.30</b>
1½"	4.000"	2.125"	<b>B24RG-G150</b>	<b>12.15</b>
2"	4.500"	2.500"	<b>B24RG-G200</b>	<b>14.60</b>
2½"	4.950"	3.125"	<b>B24RG-G250</b>	<b>16.65</b>
3"	5.500"	3.750"	<b>B24RG-G300</b>	<b>18.80</b>
4"	6.950"	4.750"	<b>B24RG-G400</b>	<b>24.45</b>
5"	8.000"	5.625"	<b>B24RG-G500</b>	<b>43.75</b>
6"	9.250"	6.625"	<b>B24RG-G600</b>	<b>40.60</b>
8"	11.500"	8.625"	<b>B24RG-G800</b>	<b>95.90</b>


**N**

## Tube Hangers

### Round Tube Hangers with Nitrile Inserts - B24RPH


**Feature:**

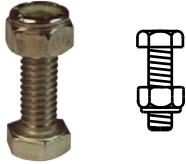
- Nitrile inserts, maximum temperature: **230°F**

Tube OD	Dimensions		304 Stainless Steel with nitrile insert	
	A	B	Part #	Price/E
1/2"	2.750"	1.125"	<b>B24RPH-G50</b>	<b>\$12.05</b>
3/4"	2.750"	1.125"	<b>B24RPH-G75</b>	<b>12.05</b>
1"	3.310"	1.500"	<b>B24RPH-G100</b>	<b>19.20</b>
1 1/2"	3.810"	2.000"	<b>B24RPH-G150</b>	<b>20.45</b>
2"	4.250"	2.562"	<b>B24RPH-G200</b>	<b>23.65</b>
2 1/2"	5.000"	3.000"	<b>B24RPH-G250</b>	<b>26.35</b>
3"	5.500"	3.562"	<b>B24RPH-G300</b>	<b>29.55</b>
4"	6.500"	4.688"	<b>B24RPH-G400</b>	<b>37.20</b>

### Nuts and Bolts - 13NHN

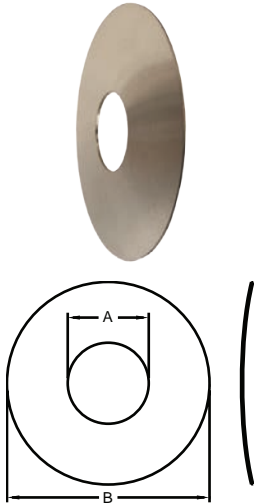
**Features:**

- all size hex hangers with grommets and round hangers 1" to 4" use 13NHN-G100-600 fastener sets
- 1/2" and 3/4" round and sleeved hangers use 13NHN-G75 fastener sets
- 2 nuts and bolts supplied to a set



Size	Description	304 Stainless Steel Part #	Price/E
1/2" - 3/4"	1/4"-20 x 3/4" bolt with nylock nut	<b>13NHN-G75</b>	<b>\$2.90</b>
1" - 12"	5/16"-18 x 1" bolt with nylock nut	<b>13NHN-G100-600</b>	<b>9.15</b>

### Wall Flanges - B25



Tube OD	Dimensions		Wall Thickness	304 Stainless Steel	
	A	B		Part #	Price/E
1/2"	.50"	3.00"	.065"	<b>B25-G050300</b>	<b>\$31.05</b>
1/2"	.50"	5.00"	.065"	<b>B25-G050500</b>	<b>34.10</b>
3/4"	.75"	3.00"	.065"	<b>B25-G075300</b>	<b>29.75</b>
3/4"	.75"	5.00"	.065"	<b>B25-G075500</b>	<b>33.75</b>
1"	1.00"	3.00"	.065"	<b>B25-G100300</b>	<b>25.40</b>
1"	1.00"	5.00"	.065"	<b>B25-G100500</b>	<b>28.85</b>
1 1/2"	1.50"	5.00"	.065"	<b>B25-G150500</b>	<b>29.35</b>
2"	2.00"	5.00"	.065"	<b>B25-G200500</b>	<b>29.90</b>
2 1/2"	2.50"	5.00"	.065"	<b>B25-G250500</b>	<b>30.45</b>
3"	3.00"	6.00"	.065"	<b>B25-G300600</b>	<b>30.90</b>
4"	4.00"	7.00"	.065"	<b>B25-G400700</b>	<b>37.80</b>
6"	6.00"	10.00"	.065"	<b>B25-G6001000</b>	<b>171.50</b>
8"	8.00"	12.00"	.065"	<b>B25-G8001200</b>	<b>212.35</b>
10"	10.00"	14.00"	.065"	<b>B25-G10001400</b>	<b>272.00</b>
12"	12.00"	16.00"	.065"	<b>B25-G12001600</b>	<b>286.50</b>

N

# Tubing

## Product Specifications

### Features:

- size range: ½" - 6" OD tube
- materials:
  - 304 stainless steel
  - 316L stainless steel
- finishes:
  - ASTM-A210 3A sanitary finish ID and OD
  - ASTM-A269 unpolished ID and OD
  - BPE finishes are available
- tubing available in 20' lengths only
- surcharges change MONTHLY
- tubing only ships via truck
- tubing is NOT returnable
- if not ordered in full box quantity, broken box charge will be applied
- other sizes may be available, call Dixon™ for information



Tube OD	Wall Thickness	Gage Number	Box Qty	Weight Pounds per feet
½"	.065"	16	100'	0.31
¾"	.065"	16	100'	0.49
1"	.065"	16	280'	0.67
1½"	.065"	16	340'	1.02
2"	.065"	16	340'	1.36
2½"	.065"	16	220'	1.71
3"	.065"	16	220'	2.06
4"	.083"	14	100'	3.45
6"	.109"	12	40'	6.92

## Operating Pressures

### 304 Stainless Steel Tube

Tube OD	Wall Thickness	Pressure (PSI)		
		working	yield	burst
½"	.065"	4,870	7,800	19,500
¾"	.065"	3,250	5,200	13,000
1"	.065"	2,440	3,900	9,800
1½"	.065"	1,630	2,600	6,500
2"	.065"	1,220	2,000	4,900
2½"	.065"	980	1,600	3,900
3"	.065"	810	1,300	3,300
4"	.083"	780	1,200	3,100
6"	.109"	680	1,090	2,720

The pressures shown in the table above are calculated using Barlow's formula and the following properties:

- material: 304 stainless steel
- yield strength (PSI): 30,000
- tensile strength (PSI): 75,000

working pressure = ¼ of burst pressure, these calculate from **-20°F to 100°F**

### 316L Stainless Steel Tube

Tube OD	Wall Thickness	Pressure (PSI)		
		working	yield	burst
½"	.065"	3,250	6,500	19,500
¾"	.065"	2,167	4,330	13,000
1"	.065"	2,280	3,300	9,100
1½"	.065"	1,520	2,200	6,100
2"	.065"	1,140	1,600	4,600
2½"	.065"	910	1,300	3,600
3"	.065"	760	1,100	3,000
4"	.083"	730	1,000	2,900
6"	.109"	635	900	2,540

The pressures shown in the table above are calculated using Barlow's formula and the following properties:

- material: 316L stainless steel
- yield strength (PSI): 25,000
- tensile strength (PSI): 70,000

working pressure = ¼ of burst pressure, these calculate from **-20°F to 100°F**



Pipe size and tube OD size materials are not interchangeable

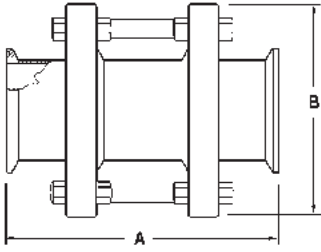
Call Dixon™ 800.789.1718 for pricing and freight allowance.

## Sight Glasses

## Product Specifications

## Features:

- size range: 1" - 6" OD tube
- material:
  - 316L stainless steel
  - Borosilicate glass
  - white buna gaskets
- finish:
  - 32R<sub>a</sub> sanitary finish, ID and OD



## In-Line Sight Glasses - B54BMP

## Features:

- various end configurations are available: clamp, weld, bevel seat, John Perry, I-Line and Q-Line
- maximum temperature: 200°F

Tube OD	Dimensions		Working Pressure PSI	316L Stainless Steel Part #	Price/E
	A	B			
1"	5.625"	3.250"	145	<b>B54BMP-R100</b>	<b>\$568.40</b>
1½"	5.625"	4.000"	145	<b>B54BMP-R150</b>	<b>645.30</b>
2"	5.625"	4.250"	145	<b>B54BMP-R200</b>	<b>683.80</b>
2½"	6.125"	4.750"	120	<b>B54BMP-R250</b>	<b>876.30</b>
3"	7.250"	5.500"	120	<b>B54BMP-R300</b>	<b>1029.95</b>
4"	7.375"	6.500"	95	<b>B54BMP-R400</b>	<b>1232.45</b>
6"	7.625"	9.500"	80	<b>B54BMP-R600</b>	<b>6179.50</b>

## Kits and Replacement Parts

Seal kit contains:

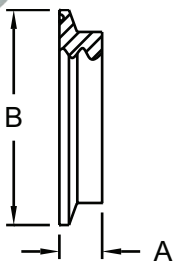
- (2) white buna gaskets

Size	Seal Kit Part Number	Price/E	Replacement Glass Part #	Price/E
1"	<b>B54BMP-SK100</b>	<b>\$10.90</b>	<b>B54G-P100</b>	<b>\$291.60</b>
1½"	<b>B54BMP-SK150</b>	<b>10.90</b>	<b>B54G-P150</b>	<b>338.45</b>
2"	<b>B54BMP-SK200</b>	<b>10.90</b>	<b>B54G-P200</b>	<b>360.75</b>
2½"	<b>B54BMP-SK250</b>	<b>14.70</b>	<b>B54G-P250</b>	<b>463.20</b>
3"	<b>B54BMP-SK300</b>	<b>14.70</b>	<b>B54G-P300</b>	<b>548.05</b>
4"	<b>B54BMP-SK400</b>	<b>14.70</b>	<b>B54G-P400</b>	<b>651.40</b>
6"	<b>B54BMP-SK600</b>	<b>POR</b>	<b>B54G-P600</b>	<b>POR</b>

## Acrylic Sight Glass End Caps - B5416MP

## Features:

- for use on any line with a clamp and gasket
- maximum temperature: 150°F
- maximum operating pressure: 100 PSI



Tube OD	Dimensions		Acrylic Part #	Price/E
	A	B		
1" - 1½"	.438"	1.984"	<b>B5416MP-A100150</b>	<b>\$133.80</b>
2"	.438"	2.516"	<b>B5416MP-A200</b>	<b>140.75</b>
2½"	.438"	3.047"	<b>B5416MP-A250</b>	<b>165.10</b>
3"	.438"	3.579"	<b>B5416MP-A300</b>	<b>173.05</b>
4"	.438"	4.682"	<b>B5416MP-A400</b>	<b>355.55</b>
6"	.438"	6.562"	<b>B5416MP-A600</b>	<b>766.70</b>

## Compact Sight Glasses

**NEW****Applications:**

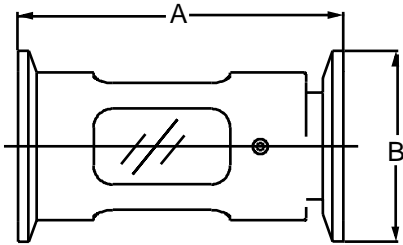
- Used widely in the food, dairy and beverage sanitary processes to view products and fluids. This design is perfect for hoses.

**Features:**

- easier to clean than bolted styles
- less cost to repair than bolted styles
- clamp connections standard
- sizes available: 1", 1½", 2", 3"
- maximum temperature: 200°F
- maximum pressure: 100 PSI

**Materials:**

- body: 316L stainless steel
- sight glass: Borosilicate glass
- gasket: buna



Tube OD	Dimensions		316L Stainless Steel Part #	Price/E
	A	B		
1"	3.375	1.980	<b>B54BMPS-R100</b>	<b>\$219.30</b>
1½"	3.640	1.980	<b>B54BMPS-R150</b>	<b>332.70</b>
2"	3.830	2.516	<b>B54BMPS-R200</b>	<b>362.95</b>
3"	4.130	3.800	<b>B54BMPS-R300</b>	<b>622.80</b>
4"	4.340	4.680	<b>B54BMPS-R400</b>	<b>909.20</b>

**N**

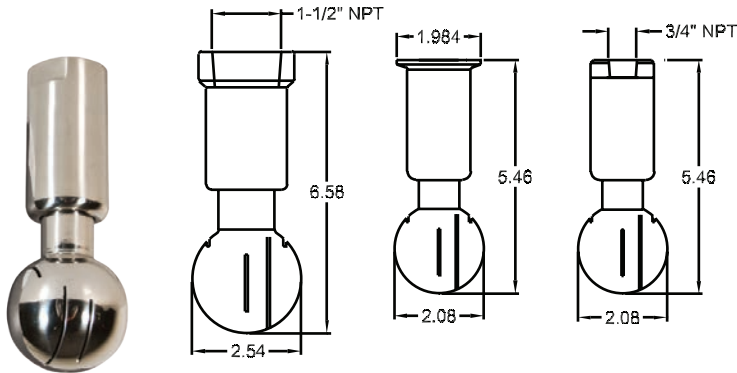
## Kits and Replacement Parts

Size	Seal Kit Part Number	Price/E	Replacement Glass Part #	Price/E
1"	<b>B54BMPS-SK100</b>	<b>\$12.05</b>	<b>B54BMPS-GL100</b>	<b>\$85.55</b>
1½"	<b>B54BMPS-SK150</b>	<b>12.05</b>	<b>B54BMPS-GL150</b>	<b>133.45</b>
2"	<b>B54BMPS-SK200</b>	<b>12.05</b>	<b>B54BMPS-GL200</b>	<b>151.35</b>
3"	<b>B54BMPS-SK300</b>	<b>16.25</b>	<b>B54BMPS-GL300</b>	<b>207.05</b>
4"	<b>B54BMPS-SK400</b>	<b>28.40</b>	<b>B54BMPS-GL400</b>	<b>362.30</b>



# Spray Balls

## Rotating Spray Balls - SRH



SRH360NPT-R150 SRH360CMP-G150 SRH360NPT-R075  
SRH360CMP-R150

**Application:**

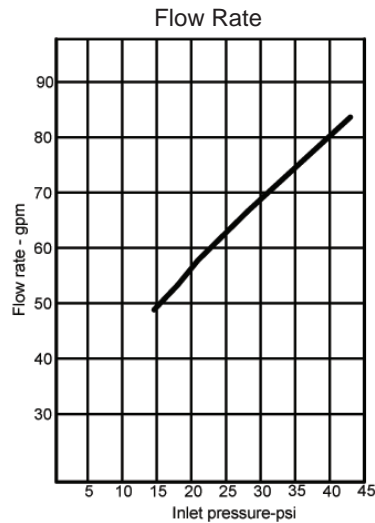
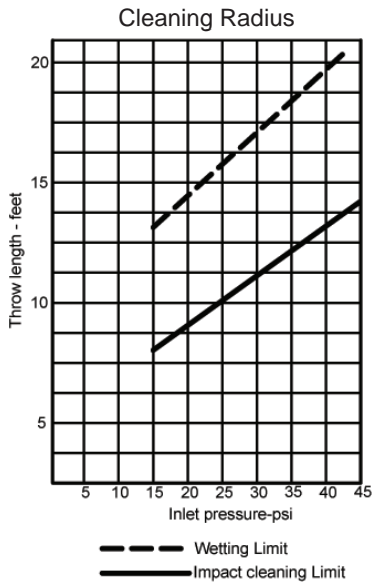
- ideal for cleaning all types of tanks and vessels

**Features:**

- stainless steel ball bearings eliminate rust
- cleaning solution lubricates unit
- mirror-like finish (OD)
- spray pattern: 360°
- available connections: clamp and NPT

Size	Type	304 Stainless Steel		316L Stainless Steel	
		Part #	Price/E	Part #	Price/E
3/4"	NPT	<b>SRH360NPT-G075</b>	<b>\$140.70</b>	---	---
1 1/2"	NPT	---	---	<b>SRH360NPT-R150</b>	<b>\$308.10</b>
1 1/2"	clamp	<b>SRH360CMP-G150</b>	<b>150.05</b>	<b>SRH360CMP-R150</b>	<b>202.55</b>

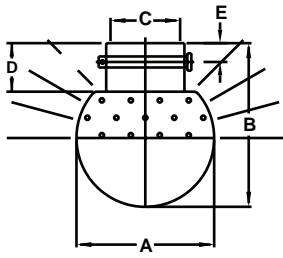
### Technical Data



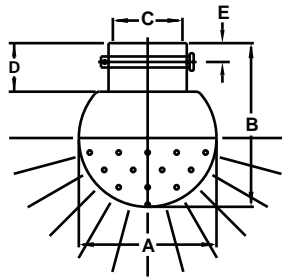
N

# Spray Balls

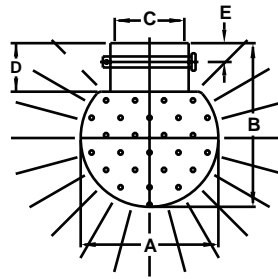
## Stationary Spray Balls - STC



180° Top Pattern



180° Bottom Pattern



360° Pattern



### Application:

- typically used in food and beverage industries for cleaning storage tanks

### Features:

- heavy duty 316L stainless steel construction provides longer life
- stationary - designed to be mounted to a tube or pipe
- 2 mm spray holes
- various spray patterns available (blanks available as special order)

Size	Pin Length	Spray Pattern	Dimensions					Pin Size	316L Stainless Steel	
			A	B	C	D	E		Part #	Price/E
1"	1.47"	360°	3.04"	2.95"	1.005"	.975"	.445"	.226"	<b>STC-360-R100</b>	<b>\$121.05</b>
1½"	1.95"	360°	3.54"	2.95"	1.505"	.975"	.445"	.226"	<b>STC-360-R150</b>	<b>186.65</b>
1"	1.47"	180° bottom	3.54"	2.95"	1.005"	.975"	.445"	.226"	<b>STC-180B-R100</b>	<b>123.20</b>
1½"	1.95"	180° bottom	3.54"	2.95"	1.505"	.975"	.445"	.226"	<b>STC-180B-R150</b>	<b>175.95</b>
1"	1.47"	180° top	3.54"	2.95"	1.005"	.975"	.445"	.226"	<b>STC-180T-R100</b>	<b>123.20</b>
1½"	1.95"	180° top	3.54"	2.95"	1.505"	.975"	.445"	.226"	<b>STC-180T-R150</b>	<b>175.95</b>

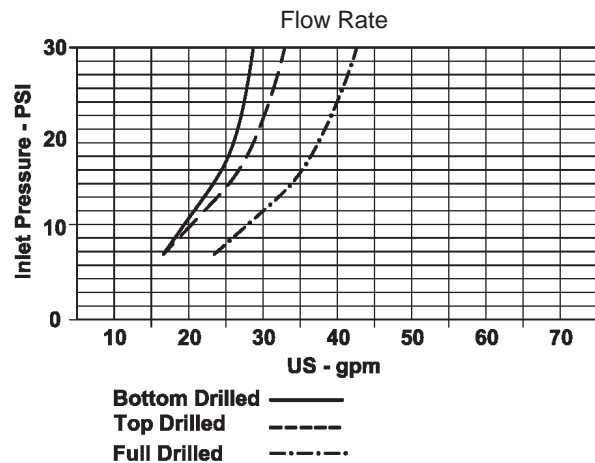
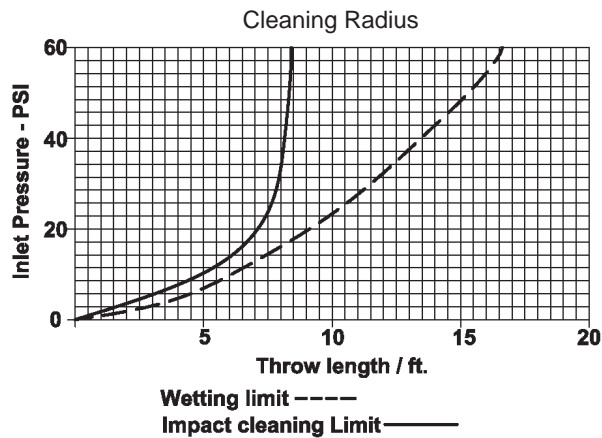
## Repair Kits

Repair kit contains:

- (1) pin
- (1) R clip

Size	Part #	Price/E
1"	<b>STC-RK100</b>	<b>\$8.85</b>
1½"	<b>STC-RK150</b>	<b>9.10</b>

## Technical Data





# Dixon™ Strainers

## Product Specifications



### Size range:

- 1" - 3" clamp connection

### Type:

- Inline
  - short
  - long
- Side Entry
  - long

### Material:

- 316L stainless steel

### Finish:

- 3A sanitary, ID and OD

## What Are Strainers and Filters Used For?

### Strainers

A strainer is a device used to separate solids from fluids. Can be used to remove larger particulate matter from liquid or gas. It uses cleanable media.

### Filters

A filter uses a disposable media to remove finer particulate from the stream. Dixon™ holds Authorization Number 1446 for the 3A Sanitary Standard for Filters using Single Service Filter Media, Number: 10-4. Vertical mounting is necessary to meet 3A 10-04 requirements for minimal product clingage.

N



Full Flow Coarse Strainers:  
1/4" or 1/8" perforations.  
(1/8" not 3A)



Full Flow Fine/Medium Strainers:  
Can be equipped with a variety of mesh screens for removing finer particles (20 to 100 mesh). See chart on page 517. (not 3A)

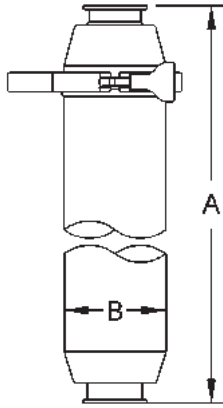


### Full Flow Filters:

Can be equipped with a variety of filtering media, down to 40 microns. Media options include polyester, cotton cheesecloth and nylon mesh. See chart on page 517.

## Strainers

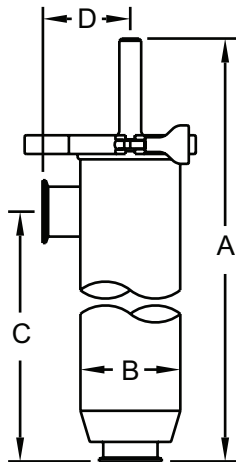
### In-line Strainer - *BSCCQ*

**Features:**

- in-line units ship standard with the following: spring, distributor cap, clamp gasket, ¼" perforated back-up tube, inlet and outlet bodies and squeeze clamp
- must be vertically mounted to be 3A compliant
- bevel seat, I-line and weld ends available, call Dixon™ for information
- ½" perforated back-up tube available, must specify when ordering (not 3A)

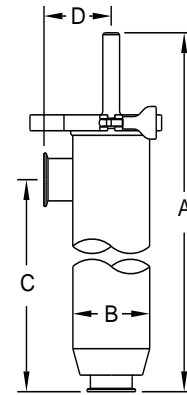
Size	Dimensions			Short 316L Stainless Steel Part #	Price/E	Long 316L Stainless Steel Part #	Price/E
	A short	A long	B				
1"	15.75"	--	4.00"	<b>BSCCQ1-R100</b>	<b>\$1439.45</b>	---	---
1½"	15.75"	35.375"	4.00"	<b>BSCCQ1-R150</b>	<b>1439.45</b>	<b>BSCCQ2-R150</b>	<b>\$2545.35</b>
2"	15.75"	35.375"	4.00"	<b>BSCCQ1-R200</b>	<b>1439.45</b>	<b>BSCCQ2-R200</b>	<b>2545.35</b>
2½"	15.75"	--	4.50"	<b>BSCCS1-R250</b>	<b>1698.95</b>	---	---
3"	15.75"	35.375"	4.50"	<b>BSCCS1-R300</b>	<b>1698.95</b>	<b>BSCCS2-R300</b>	<b>3110.25</b>

### Side-Entry Strainer - *BSCCQ*

**N****Features:**

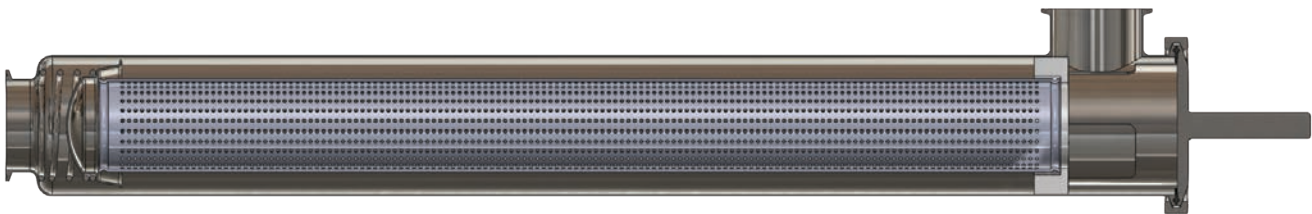
- side entry units ship standard with the following: spring, end cap with handle, distributor cap, clamp gasket, ¼" perforated back-up tube, body and squeeze clamp
- serviceable without removing from the line
- must be a vertically mounted to be 3A compliant
- bevel seat, I-line and weld ends available, call Dixon™ for information
- ½" perforated back-up tube available, must specify when ordering (not 3A certified)

Size	Dimensions				316L Stainless Steel Part #	Price/E
	A	B	C	D		
1½"	41.90"	4.00"	35.00"	3.50"	<b>BSCCQ3-R150</b>	<b>\$3302.05</b>
2"	41.90"	4.00"	35.00"	3.50"	<b>BSCCQ3-R200</b>	<b>3302.05</b>
3"	41.90"	4.50"	35.00"	3.75"	<b>BSCCQ3-R300</b>	<b>4066.65</b>

**NEW**Side-Outlet Reverse Strainer - *BSCCQ***Features:**

- ships standard with: spring, end cap with handle, distributor cap, clamp gasket, ¼" perforated back-up tube, body and squeeze clamp
- ½" perforated back-up tube available (not 3A certified)
- bevel seat, I-line and weld ends available, call Dixon™ for information
- can be serviced in-line

Size	Dimensions				316L Stainless Steel Part #	Price/E
	A	B	C	D		
1½"	41.90"	4.00"	35.00"	3.50"	<b>BSCCQ4-R150</b>	<b>\$4693.80</b>
2"	41.90"	4.00"	35.00"	3.50"	<b>BSCCQ4-R200</b>	<b>4693.80</b>
3"	41.90"	4.50"	35.00"	3.75"	<b>BSCCQ4-R300</b>	<b>5991.45</b>

**N**

## Strainers

## Filters

## Features:

- filter medium are special order and minimum quantities apply, not included with base unit
- filters require retaining ring

Size	Micron Rating	Description	Short Part Number	Price/E	Long/Side Entry Part Number	Price/E
1" - 2"	38	nonwoven rayon (glued seam)	<b>BF30A-100-200</b>	POR	---	---
2½" - 3"	38	nonwoven rayon (glued seam)	<b>BF30A-250-300</b>	POR	---	---
1" - 2"	513	woven knapped cotton flannel	<b>BF30B-100-200</b>	POR	---	---
2½" - 3"	513	woven knapped cotton flannel	<b>BF30B-250-300</b>	POR	---	---
1" - 2"	300	cheese cloth, single thickness cotton	<b>BF30C-100-200</b>	POR	---	---
2½" - 3"	300	cheese cloth, single thickness cotton	<b>BF30C-250-300</b>	POR	---	---
1" - 2"	765	nylon, 26/29 mesh, rectangular opening, (.025 x .030)	<b>BF30D-100-200</b>	POR	---	---
2½" - 3"	765	nylon, 26/29 mesh, rectangular opening, (.025 x .030)	<b>BF30D-250-300</b>	POR	---	---
1" - 2"	40-42	nonwoven rayon	<b>BF30E-100-200</b>	POR	<b>BF302E-100-200</b>	POR
2½" - 3"	40-42	nonwoven rayon	<b>BF30E-250-300</b>	POR	<b>BF302E-250-300</b>	POR
1" - 2"	40	nonwoven rayon	<b>BF30F-100-200</b>	POR	---	---
1" - 2"	420	woven nylon, 40 mesh	<b>BF30G-100-200</b>	POR	---	---
2½" - 3"	420	woven nylon, 40 mesh	<b>BF30G-250-300</b>	POR	<b>BF302G-250-300</b>	POR

## 316 Stainless Wire Cloth Mesh Over Screens

## Features:

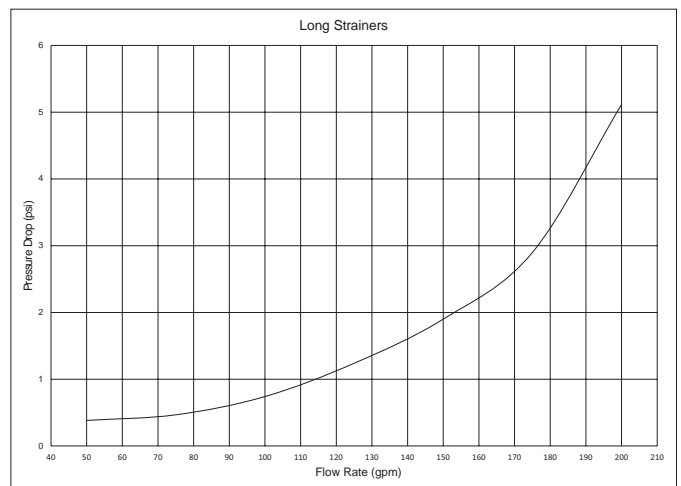
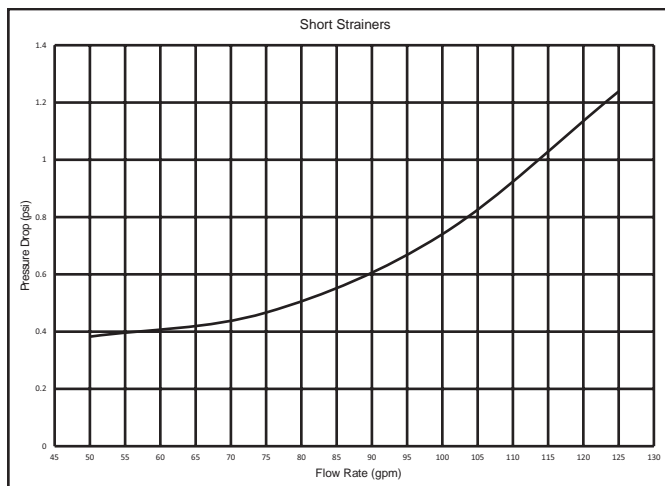
- not all sizes are stocked, additional sizes are available (5 piece minimum), call Dixon™
- not 3A compatible, not included with base unit

Size	Micron Rating	Square Mesh	Space Between Wires	Percent of Open Area	Short Part Number	Price/E	Long/Side Entry Part Number	Price/E
1" - 2"	864	20	0.034"	46.2	<b>BS20-100-200</b>	POR	<b>BS202-100-200</b>	POR
2½" - 3"	864	20	0.034"	46.2	<b>BS20-250-300</b>	POR	<b>BS202-250-300</b>	POR
1" - 2"	381	40	0.015"	36.0	<b>BS40-100-200</b>	POR	<b>BS402-100-200</b>	POR
2½" - 3"	381	40	0.015"	36.0	<b>BS40-250-300</b>	POR	<b>BS402-250-300</b>	POR
1" - 2"	229	60	0.009"	30.3	<b>BS60-100-200</b>	POR	<b>BS602-100-200</b>	POR
2½" - 3"	229	60	0.009"	30.3	<b>BS60-250-300</b>	POR	<b>BS602-250-300</b>	POR
1" - 2"	178	80	0.007"	31.4	<b>BS80-100-200</b>	POR	<b>BS802-100-200</b>	POR
2½" - 3"	178	80	0.007"	31.4	<b>BS80-250-300</b>	POR	<b>BS802-250-300</b>	POR
1" - 2"	140	100	0.006"	30.3	<b>BS100-100-200</b>	POR	<b>BS1002-100-200</b>	POR
2½" - 3"	140	100	0.006"	30.3	<b>BS100-250-300</b>	POR	<b>BS1002-250-300</b>	POR

## Pressure Drop Curves for Filter and Strainer

water at ambient temperature

- maximum flow for short units is 125 GPM
- maximum flow for long units is 175 GPM



## Dual Strainers

### Application:

- Use when system needs to be cleaned regularly but product flow needs to be maintained. Short, long and side entry dual units are available with manual or actuated valves, contact Dixon™ for information.

### Design Using 3-way Ball Valves

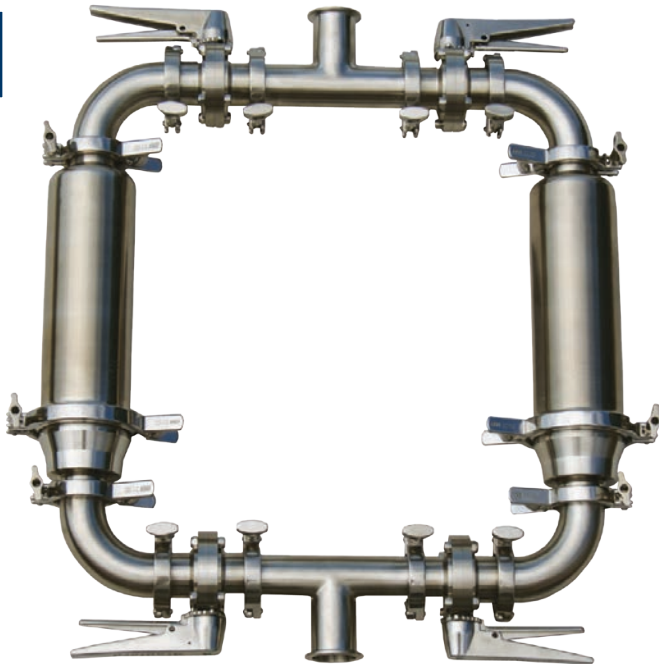


#### Features:

- fully customizable
- available sizes: 1" - 3"

Components Description	Base Part #	Qty
3-way L port ball valves	<b>BV3SVLF</b>	2
squeeze clamps	<b>13MHMM-Q</b>	4
single pin clamps, sizes 1" to 3"	<b>13MHMM</b>	4
clamp 90° elbow	<b>B2CMP-R</b>	4
clamp gaskets (various materials available)	<b>40MP</b>	8

### Design Using Butterfly Valves



#### Features:

- fully customizable
- available sizes: 1" - 3"

Components Description	Base Part #	Qty
butterfly valve, various handles, actuation and seat materials	<b>B5101</b>	2
clamp tee	<b>B7MP</b>	4
clamp 90° elbow	<b>B2CMP</b>	4
squeeze clamps	<b>13MHMM-Q</b>	4
single pin clamps	<b>13MHMM</b>	8
clamp gaskets (various materials available)	<b>40MP</b>	12

N

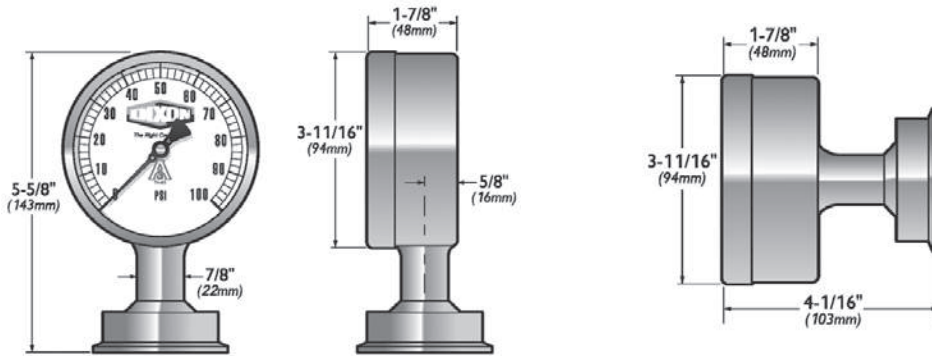
## Sanitary Pressure Gauges

## Features:

- accuracy:  $\pm 1.5\%$  of full scale
- over range capacity: 30%
- wetted surfaces: 316L stainless steel
- surface finishes (wetted parts):  $R_a$  max = 25 microinches
- case material: 304 stainless steel
- dial size:  $3\frac{1}{2}$ "
- lens material: polycarbonate
- temperature range:  $0^\circ\text{F}$  ( $-18^\circ\text{C}$ ) to  $250^\circ\text{F}$  ( $121^\circ\text{C}$ )
- standard fill: food grade glycerin
- rezero feature: standard on pointer
- shipping weight: approximately 3 lbs. (1.3 kg)



3S-B-2U-GFBTSS

 $3\frac{1}{2}$ " Gauge - (90 mm)

Dial Size	Clamp Size	Pressure Range (PSI)	Mount	Part #	Price/E
$3\frac{1}{2}$ "	$1\frac{1}{2}$ "	0-30	bottom	<b>3S-B-15U-GFBTSS</b>	<b>\$1022.25</b>
$3\frac{1}{2}$ "	$1\frac{1}{2}$ "	0-60	bottom	<b>3S-C-15U-GFBTSS</b>	1022.25
$3\frac{1}{2}$ "	$1\frac{1}{2}$ "	0-100	bottom	<b>3S-D-15U-GFBTSS</b>	1022.25
$3\frac{1}{2}$ "	$1\frac{1}{2}$ "	0-160	bottom	<b>3S-E-15U-GFBTSS</b>	1022.25
$3\frac{1}{2}$ "	$1\frac{1}{2}$ "	0-200	bottom	<b>3S-F-15U-GFBTSS</b>	1022.25
$3\frac{1}{2}$ "	$1\frac{1}{2}$ "	0-300	bottom	<b>3S-G-15U-GFBTSS</b>	1022.25
$3\frac{1}{2}$ "	$1\frac{1}{2}$ "	0-30	back	<b>3S-B-15U-GFBKSS</b>	1022.25
$3\frac{1}{2}$ "	$1\frac{1}{2}$ "	0-60	back	<b>3S-C-15U-GFBKSS</b>	1022.25
$3\frac{1}{2}$ "	$1\frac{1}{2}$ "	0-100	back	<b>3S-D-15U-GFBKSS</b>	1022.25
$3\frac{1}{2}$ "	$1\frac{1}{2}$ "	0-160	back	<b>3S-E-15U-GFBKSS</b>	1022.25
$3\frac{1}{2}$ "	$1\frac{1}{2}$ "	0-200	back	<b>3S-F-15U-GFBKSS</b>	1022.25
$3\frac{1}{2}$ "	$1\frac{1}{2}$ "	0-300	back	<b>3S-G-15U-GFBKSS</b>	1022.25
$3\frac{1}{2}$ "	2"	0-30	bottom	<b>3S-B-2U-GFBTSS</b>	1022.25
$3\frac{1}{2}$ "	2"	0-60	bottom	<b>3S-C-2U-GFBTSS</b>	1022.25
$3\frac{1}{2}$ "	2"	0-100	bottom	<b>3S-D-2U-GFBTSS</b>	1022.25
$3\frac{1}{2}$ "	2"	0-160	bottom	<b>3S-E-2U-GFBTSS</b>	1022.25
$3\frac{1}{2}$ "	2"	0-200	bottom	<b>3S-F-2U-GFBTSS</b>	1022.25
$3\frac{1}{2}$ "	2"	0-300	bottom	<b>3S-G-2U-GFBTSS</b>	1022.25
$3\frac{1}{2}$ "	2"	0-30	back	<b>3S-B-2U-GFBKSS</b>	1022.25
$3\frac{1}{2}$ "	2"	0-60	back	<b>3S-C-2U-GFBKSS</b>	1022.25
$3\frac{1}{2}$ "	2"	0-100	back	<b>3S-D-2U-GFBKSS</b>	1022.25
$3\frac{1}{2}$ "	2"	0-160	back	<b>3S-E-2U-GFBKSS</b>	1022.25
$3\frac{1}{2}$ "	2"	0-200	back	<b>3S-F-2U-GFBKSS</b>	1022.25
$3\frac{1}{2}$ "	2"	0-300	back	<b>3S-G-2U-GFBKSS</b>	1022.25



## Swivels

## Product Specifications

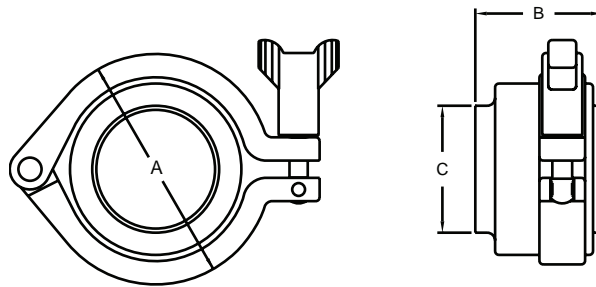
## Features:

- available in clamp and weld configurations
- elastomers: silicone and PTFE
- optional elastomers available
- size range: 1" - 4" tube OD
- materials: 316L stainless steel
- finish: sanitary finish ID and OD



Size	PSI at 70°F	PSI at 250°F
1"	500	300
1½"	500	300
2"	450	250
2½"	400	200
3"	350	175
4"	300	150

## Straight Swivel - SJSS



## straight clamp - style 20

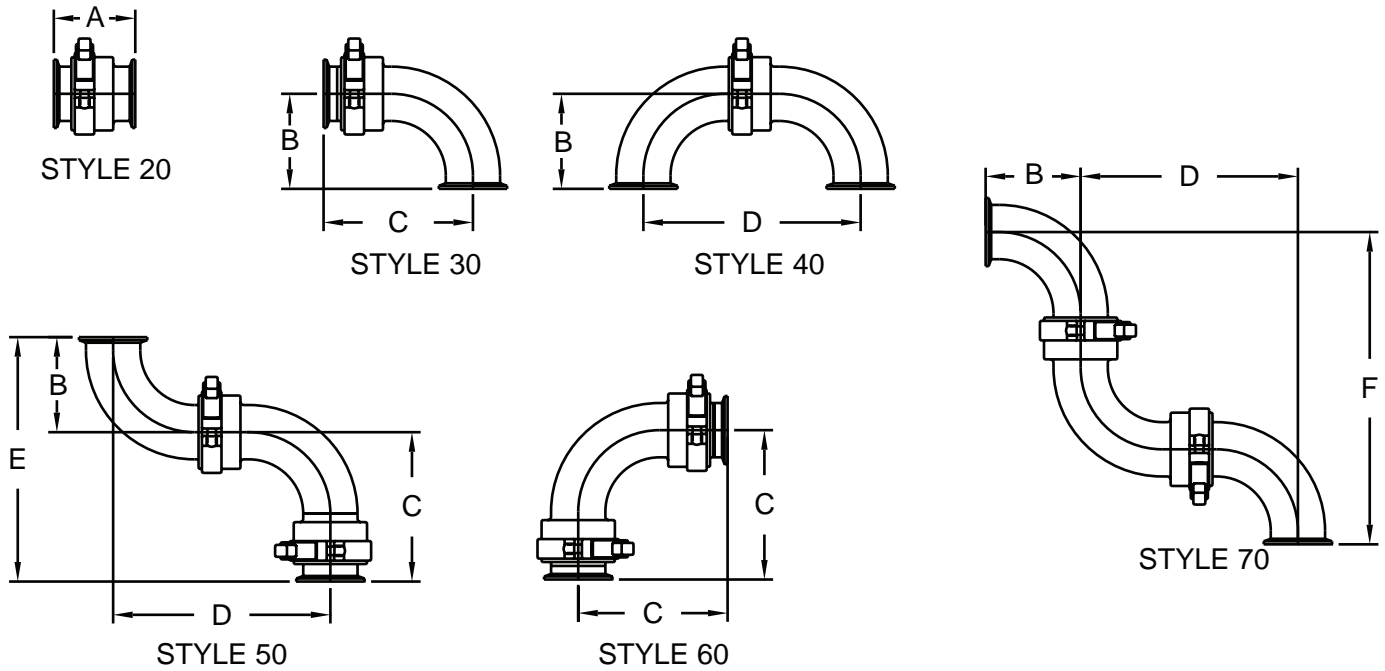
N

Size	Dimensions			316L Stainless Steel Part #	Price/E
	A	B	C		
1"	2.56"	3.00"	1.00"	<b>SJSS100CC-20</b>	POR
1½"	2.56"	3.00"	1.50"	<b>SJSS150CC-20</b>	POR
2"	3.09"	3.00"	2.00"	<b>SJSS200CC-20</b>	POR
2½"	3.44"	3.00"	2.50"	<b>SJSS250CC-20</b>	POR
3"	3.94"	3.00"	3.00"	<b>SJSS300CC-20</b>	POR
4"	5.08"	4.19"	4.00"	<b>SJSS400CC-20</b>	POR

## straight weld connection - style 20

Size	Dimensions			316L Stainless Steel Part #	Price/E
	A	B	C		
1"	2.56"	2.00"	1.00"	<b>SJSS100BB-20</b>	POR
1½"	2.56"	2.00"	1.50"	<b>SJSS150BB-20</b>	POR
2"	3.09"	2.00"	2.00"	<b>SJSS200BB-20</b>	POR
2½"	3.44"	2.00"	2.50"	<b>SJSS250BB-20</b>	POR
3"	3.94"	2.00"	3.00"	<b>SJSS300BB-20</b>	POR
4"	5.08"	2.94"	4.00"	<b>SJSS400BB-20</b>	POR

## Straight Swivels - SJSS Configurations



clamp joint dimensions

Part Number	Size	Dimensions					
		A	B	C	D	E	F
<i>SJSS100CC-*</i>	1"	3.00"	2.00"	4.00"	5.00"	6.00"	7.00"
<i>SJSS150CC-*</i>	1½"	3.00"	2.75"	4.75"	6.50"	7.50"	9.25"
<i>SJSS200CC-*</i>	2"	3.00"	3.50"	5.50"	8.00"	9.00"	11.50"
<i>SJSS250CC-*</i>	2½"	3.00"	4.25"	6.25"	9.50"	10.50"	13.75"
<i>SJSS300CC-*</i>	3"	3.00"	5.00"	7.00"	11.00"	12.00"	16.00"
<i>SJSS400CC-*</i>	4"	5.19"	6.63"	9.63"	14.94"	15.94"	21.56"

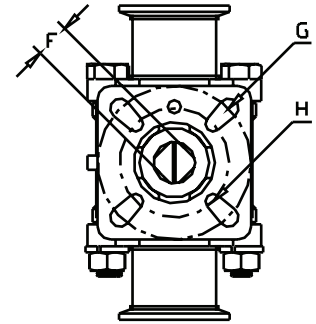
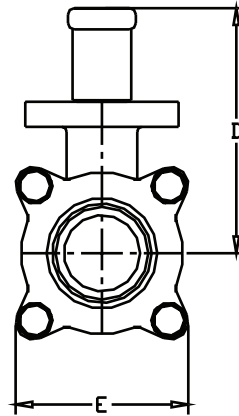
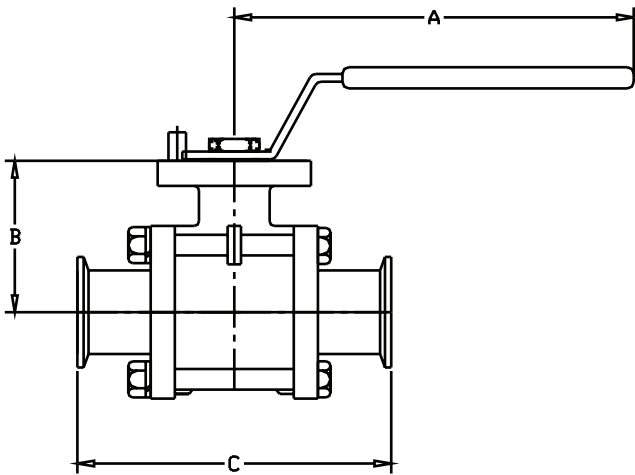
- contact Dixon™ for pricing

## 2-Way 3 Piece Encapsulated Ball Valves



### Features:

- ½" - 2" rated at **1,000 PSI WOG**; 2½" - 4" rated at 800 PSI WOG
- balanced encapsulated construction minimizes cold flow
- live-loaded stem packing
- precision stainless steel balls reduce torque and friction losses while extending seat life
- lockable handle can prevent accidental actuation
- standard internal entry blow out proof stem design
- full port design matches ball and seat ports to tube ID for lower pressure drop and less turbulent flow
- compact design for areas with tight space restrictions
- fully encapsulated construction produces bubble tight seal
- integral ISO 5211 mounting pad
- ID polish: Ra 32 minimum
- virgin PTFE seats
- for valve seat options, call Dixon™
- identification tagging available
- repair kits available

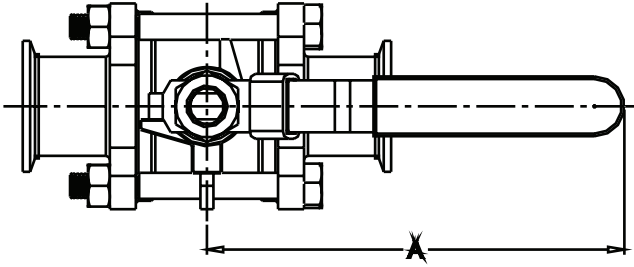


N

Size	Dimensions								316 Stainless Steel	
	A	B	C	D	E	F (mm)	G	H	Part #	Price/E
½"	4.9"	1.5"	4.3"	3.0"	1.9"	9.0	F04	F03	<b>BV2CV-050CC-A</b>	<b>\$155.20</b>
¾"	4.9"	1.8"	4.7"	3.3"	2.2"	9.0	F04	F03	<b>BV2CV-075CC-A</b>	<b>187.40</b>
1"	5.6"	2.1"	4.9"	3.6"	2.4"	11.0	F05	F04	<b>BV2CV-100CC-A</b>	<b>245.70</b>
1½"	9.5"	2.7"	5.6"	4.4"	3.1"	14.0	F07	F05	<b>BV2CV-150CC-A</b>	<b>414.40</b>
2"	9.5"	3.1"	6.4"	4.8"	3.7"	14.0	F07	F05	<b>BV2CV-200CC-A</b>	<b>599.45</b>
2½"	18.0"	3.8"	7.8"	5.2"	4.8"	17.0	F10	F07	<b>BV2CV-250CC-A</b>	<b>1285.20</b>
3"	18.0"	4.2"	9.0"	5.7"	5.4"	17.0	F10	F07	<b>BV2CV-300CC-A</b>	<b>1696.50</b>
4"	18.0"	5.3"	9.5"	6.8"	8.8"	22.0	F12	F10	<b>BV2CV-400CC-A</b>	<b>2914.80</b>

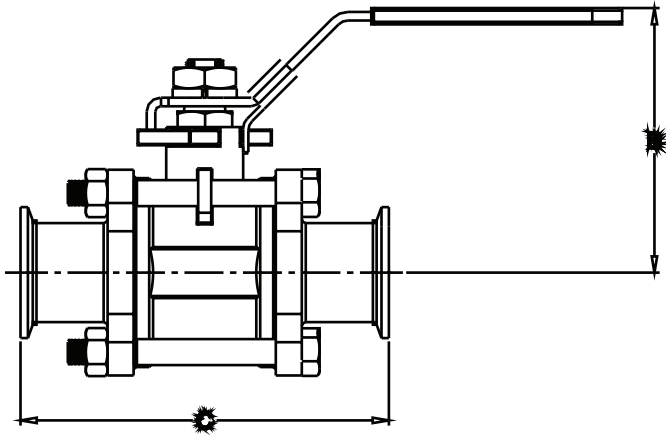
Dixon™'s commitment to excellence and continuous research and development for improving product quality may warrant periodic changes in design and specification. We reserve the right to modify product design without prior notification and without incurring any liability to provide these modifications to products previously purchased.

## Non-Encapsulated 2-way 3 Piece Stainless Steel Ball Valves



### Features:

- blow-out proof stem
- live-loaded stem packing
- lockable handle
- 15% glass reinforced PTFE seats
- ID polish is  $R_a$  32
- CF8M stainless body, ends and ball
- pressure ratings: ½" - 2" **1,000 PSI WOG**  
2½" - 4" **800 PSI WOG**
- repair kits available
- for valve seat options, call Dixon™



Size	Dimensions			Break Torque (in-lbs.)	Weight (lbs.)	316 Stainless Steel	
	A	B	C			Part #	Price/E
½"	4.1"	2.3"	4.6"	55	1.4	<b>BV2GG-050CC-A</b>	<b>\$121.20</b>
¾"	4.1"	2.5"	4.7"	71	1.8	<b>BV2GG-075CC-A</b>	<b>132.25</b>
1"	5.0"	2.8"	4.9"	101	2.6	<b>BV2GG-100CC-A</b>	<b>195.05</b>
1½"	6.1"	3.5"	5.6"	221	4.6	<b>BV2GG-150CC-A</b>	<b>330.50</b>
2"	7.6"	3.9"	6.4"	345	8.5	<b>BV2GG-200CC-A</b>	<b>498.05</b>
2½"	7.6"	4.4"	7.8"	883	17.8	<b>BV2GG-250CC-A</b>	<b>877.95</b>
3"	10.9"	4.9"	9.0"	830	28.2	<b>BV2GG-300CC-A</b>	<b>1337.35</b>
4"	13.2"	6.6"	9.6"	1323	41.4	<b>BV2GG-400CC-A</b>	<b>2430.05</b>

Dimensions are approximate. Engineering dimensions are available upon request. Specifications are subject to change without notice.

## Butterfly Valves

### Features:

- available with three handle options:
  - The *pull style handle* allows you to set the valve in four different positions simply by pulling and turning.
  - The *infinite handle* has incremental marks on the top which can be used when needing a throttling valve.
  - The *trigger handle* offers twelve positions which make it easy to understand how to actuate the valve.
- Handle is not assembled when shipped. To order with handle assembled on the valve please request assembly in the special instructions of your order.
- 100% hydraulic tested / 100% inspected
- all wetted surfaces are sanitary finished to < 32R<sub>a</sub>
- field serviceable (no special tools required)
- various end configurations available: weld, I-line, Q-line, bevel seat and John Perry
- actuation available: double-acting, air-to-spring, electric, call Dixon™ for details
- vacuum rating: 0.4 inches Hg at 68°F
- temperature range: 15°F to 200°F
- clamp style is standard

### Clamp End Butterfly Valve with Pull Handle - [A]



Size	316L Stainless Steel with Silicone Seats		316L Stainless Steel with FKM Seats		316L Stainless Steel with EPDM Seats	
	Part #	Price/E	Part #	Price/E	Part #	Price/E
1/2"	<b>B5101S050CC-A</b>	<b>\$332.55</b>	<b>B5101V050CC-A</b>	<b>\$359.70</b>	<b>B5101E050CC-A</b>	<b>\$326.45</b>
3/4"	<b>B5101S075CC-A</b>	<b>332.55</b>	<b>B5101V075CC-A</b>	<b>359.70</b>	<b>B5101E075CC-A</b>	<b>326.45</b>
1"	<b>B5101S100CC-A</b>	<b>320.40</b>	<b>B5101V100CC-A</b>	<b>340.90</b>	<b>B5101E100CC-A</b>	<b>306.80</b>
1 1/2"	<b>B5101S150CC-A</b>	<b>304.35</b>	<b>B5101V150CC-A</b>	<b>347.95</b>	<b>B5101E150CC-A</b>	<b>296.65</b>
2"	<b>B5101S200CC-A</b>	<b>368.60</b>	<b>B5101V200CC-A</b>	<b>430.85</b>	<b>B5101E200CC-A</b>	<b>358.00</b>
2 1/2"	<b>B5101S250CC-A</b>	<b>460.60</b>	<b>B5101V250CC-A</b>	<b>589.75</b>	<b>B5101E250CC-A</b>	<b>437.10</b>
3"	<b>B5101S300CC-A</b>	<b>615.30</b>	<b>B5101V300CC-A</b>	<b>817.85</b>	<b>B5101E300CC-A</b>	<b>596.90</b>
4" <sup>1</sup>	<b>B5101S400CC-A</b>	<b>948.00</b>	<b>B5101V400CC-A</b>	<b>1408.75</b>	<b>B5101E400CC-A</b>	<b>918.30</b>
6"	<b>B5101S600CC-A</b>	<b>2143.95</b>	---	---	<b>B5101E600CC-A</b>	<b>2121.15</b>
8"	---	---	---	---	<b>B5101E800CC-A</b>	<b>6146.35</b>

<sup>1</sup> 4" high pressure butterfly valve is available, call Dixon™ for more information

Size	Dimensions							Break Torque (in. lbs.) Silicone	Break Torque (in. lbs.) FKM	Break Torque (in. lbs.) EPDM	PSI @ 68°F
	A	B	C	D	E	F	G				
1/2"	4.4"	2.8"	1.4"	0.9"	3.5"	.37"	3.1"	20	70	75	140
3/4"	4.4"	2.8"	1.4"	0.9"	3.5"	.62"	3.1"	20	70	75	140
1"	4.4"	2.8"	1.4"	0.9"	3.5"	0.9"	3.1"	20	70	75	140
1 1/2"	4.4"	2.8"	1.4"	0.9"	3.5"	1.4"	3.1"	40	125	130	140
2"	4.4"	3.1"	1.4"	0.9"	3.8"	1.9"	3.9"	55	175	165	140
2 1/2"	4.4"	3.5"	1.4"	0.9"	3.8"	2.4"	4.6"	70	220	210	110
3"	6.2"	3.8"	1.3"	1.2"	4.1"	2.9"	5.2"	165	310	350	110
4"	6.2"	4.5"	1.3"	1.2"	4.8"	3.8"	6.7"	350	450	540	85
6"	11.5"	5.5"	1.3"	1.2"	5.5"	5.8"	8.5"	700	n/a	1550	60
8"	18.0"	6.9"	1.6"	1.2"	4.9"	7.8"	11.2"	n/a	n/a	1650	60

### Clamp End Butterfly Valves with Infinite Position Handle - [B]



Size	316L Stainless Steel with Silicone Seats		316L Stainless Steel with FKM Seats		316L Stainless Steel with EPDM Seats	
	Part #	Price/E	Part #	Price/E	Part #	Price/E
1/2"	<b>B5101S050CC-B</b>	<b>\$332.55</b>	<b>B5101V050CC-B</b>	<b>\$359.70</b>	<b>B5101E050CC-B</b>	<b>\$326.45</b>
3/4"	<b>B5101S075CC-B</b>	<b>332.55</b>	<b>B5101V075CC-B</b>	<b>359.70</b>	<b>B5101E075CC-B</b>	<b>326.45</b>
1"	<b>B5101S100CC-B</b>	<b>312.90</b>	<b>B5101V100CC-B</b>	<b>340.90</b>	<b>B5101E100CC-B</b>	<b>306.80</b>
1 1/2"	<b>B5101S150CC-B</b>	<b>304.35</b>	<b>B5101V150CC-B</b>	<b>347.95</b>	<b>B5101E150CC-B</b>	<b>296.65</b>
2"	<b>B5101S200CC-B</b>	<b>368.60</b>	<b>B5101V200CC-B</b>	<b>430.85</b>	<b>B5101E200CC-B</b>	<b>358.00</b>
2 1/2"	<b>B5101S250CC-B</b>	<b>460.60</b>	<b>B5101V250CC-B</b>	<b>589.75</b>	<b>B5101E250CC-B</b>	<b>437.10</b>
3"	<b>B5101S300CC-B</b>	<b>615.30</b>	<b>B5101V300CC-B</b>	<b>817.85</b>	<b>B5101E300CC-B</b>	<b>596.90</b>
4"	<b>B5101S400CC-B</b>	<b>948.00</b>	<b>B5101V400CC-B</b>	<b>1408.75</b>	<b>B5101E400CC-B</b>	<b>918.30</b>

Size	Dimensions							Break Torque (in. lbs.) Silicone	Break Torque (in. lbs.) FKM	Break Torque (in. lbs.) EPDM	PSI @ 68°F
	A	B	C	D	E	F	G				
1/2"	4.3"	2.6"	1.3"	0.9"	3.5"	.37"	3.1"	20	70	75	140
3/4"	4.3"	2.6"	1.3"	0.9"	3.5"	.62"	3.1"	20	70	75	140
1"	4.3"	2.6"	1.3"	0.9"	3.5"	0.9"	3.1"	20	70	75	140
1 1/2"	4.3"	2.6"	1.3"	0.9"	3.5"	1.4"	3.1"	40	125	130	140
2"	4.3"	2.9"	1.3"	0.9"	3.8"	1.9"	3.9"	55	175	165	140
2 1/2"	4.3"	3.3"	1.3"	0.9"	3.8"	2.4"	4.6"	70	220	210	110
3"	6.4"	3.6"	1.3"	1.2"	4.1"	2.9"	5.2"	165	310	350	110
4"	6.4"	4.4"	1.3"	1.2"	4.8"	3.8"	6.7"	350	450	540	85

## Butterfly Valves

### Clamp End **Butterfly Valve with Trigger Handle - [C]**

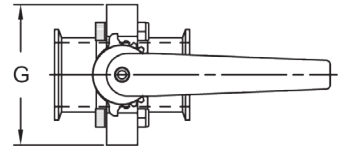
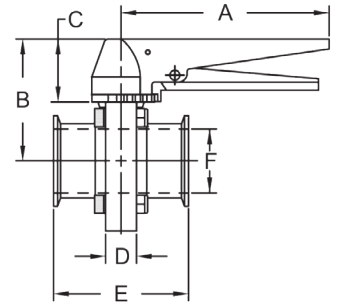
**Features:**

- lockout / tagout handle
- Handle is not assembled when shipped. To order with handle assembled on the valve please request assembly in the special instructions of your order.

Size	316L Stainless Steel with Silicone seats		316L Stainless Steel with FKM seats		316L Stainless Steel with EPDM seats	
	Part #	Price/E	Part #	Price/E	Part #	Price/E
½"	<b>B5101S050CC-C</b>	<b>\$332.55</b>	<b>B5101V050CC-C</b>	<b>\$359.70</b>	<b>B5101E050CC-C</b>	<b>\$326.45</b>
¾"	<b>B5101S075CC-C</b>	<b>332.55</b>	<b>B5101V075CC-C</b>	<b>359.70</b>	<b>B5101E075CC-C</b>	<b>326.45</b>
1"	<b>B5101S100CC-C</b>	<b>312.90</b>	<b>B5101V100CC-C</b>	<b>340.90</b>	<b>B5101E100CC-C</b>	<b>306.80</b>
1½"	<b>B5101S150CC-C</b>	<b>304.35</b>	<b>B5101V150CC-C</b>	<b>347.95</b>	<b>B5101E150CC-C</b>	<b>337.20</b>
2"	<b>B5101S200CC-C</b>	<b>368.60</b>	<b>B5101V200CC-C</b>	<b>430.85</b>	<b>B5101E200CC-C</b>	<b>358.00</b>
2½"	<b>B5101S250CC-C</b>	<b>460.60</b>	<b>B5101V250CC-C</b>	<b>589.75</b>	<b>B5101E250CC-C</b>	<b>437.10</b>
3"	<b>B5101S300CC-C</b>	<b>615.30</b>	<b>B5101V300CC-C</b>	<b>817.85</b>	<b>B5101E300CC-C</b>	<b>596.90</b>
4"	<b>B5101S400CC-C</b>	<b>948.00</b>	<b>B5101V400CC-C</b>	<b>1408.75</b>	<b>B5101E400CC-C</b>	<b>918.30</b>



Size	Dimensions							Break Torque (in. lbs.) silicone	Break Torque (in. lbs.) FKM	Break Torque (in. lbs.) EPDM	PSI @ 68°F
	A	B	C	D	E	F	G				
½"	6.6"	3.0"	1.7"	0.9"	3.5"	.37"	3.1"	20	70	75	140
¾"	6.6"	3.0"	1.7"	0.9"	3.5"	.62"	3.1"	20	70	75	140
1"	6.6"	3.0"	1.7"	0.9"	3.5"	0.9"	3.1"	20	70	75	140
1½"	6.6"	3.0"	1.7"	0.9"	3.5"	1.4"	3.1"	40	125	130	140
2"	6.6"	3.5"	1.7"	0.9"	3.8"	1.9"	3.9"	55	175	165	140
2½"	6.6"	3.7"	1.7"	0.9"	3.8"	2.4"	4.6"	70	220	210	110
3"	6.6"	3.9"	1.7"	1.2"	4.1"	2.9"	5.2"	165	310	350	110
4"	6.6"	4.8"	1.7"	1.2"	4.8"	3.8"	6.7"	350	450	540	85



### Repair Kit for **Butterfly Valves**

**Features:**

Repair kit contains:

- (1) seat
- (2) bushings

for valves located on pages 524-525

Valve Size	Black EPDM		Red Silicone		Brown FKM	
	Part #	Price/E	Part #	Price/E	Part #	Price/E
½" - 1"	<b>B5101-RKE100</b>	<b>\$27.15</b>	<b>B5101-RKS100</b>	<b>\$34.75</b>	<b>B5101-RKV100</b>	<b>\$74.95</b>
1½"	<b>B5101-RKE150</b>	<b>29.35</b>	<b>B5101-RKS150</b>	<b>40.30</b>	<b>B5101-RKV150</b>	<b>103.75</b>
2"	<b>B5101-RKE200</b>	<b>35.50</b>	<b>B5101-RKS200</b>	<b>44.20</b>	<b>B5101-RKV200</b>	<b>136.05</b>
2½"	<b>B5101-RKE250</b>	<b>39.85</b>	<b>B5101-RKS250</b>	<b>49.40</b>	<b>B5101-RKV250</b>	<b>254.75</b>
3"	<b>B5101-RKE300</b>	<b>64.05</b>	<b>B5101-RKS300</b>	<b>78.10</b>	<b>B5101-RKV300</b>	<b>448.25</b>
4"	<b>B5101-RKE400</b>	<b>97.45</b>	<b>B5101-RKS400</b>	<b>120.55</b>	<b>B5101-RKV400</b>	<b>823.45</b>
6"	<b>B5101-RKE600</b>	<b>154.80</b>	<b>B5101-RKS600</b>	<b>296.95</b>	---	---
8"	<b>B5101-RKE800</b>	<b>316.80</b>	---	---	---	---

Dixon™'s commitment to excellence and continuous research and development for improving product quality may warrant periodic changes in design and specification. We reserve the right to modify product design without prior notification and without incurring any liability to provide these modifications to products previously purchased.

## Butterfly Valves

### Clamp Butterfly Valves

**Features:**

- minimal line pressure: 0.4 inches Hg vacuum @ 68°F
- temperature range: **15°F - 200°F**
- PTFE valve disc bushings decrease friction and increase cycle life
- valve is only 1-3/8" wide on all sizes and uses only 3/4" of the space
- 3 position reversible handle
- the grooved clamp housing connects directly to the corresponding sanitary clamp size
- easy assembly requires a hex key for the handle and wing nuts to secure and seal the housing onto lines
- can be modified for lockout/tagout
- actuation available: double acting, spring return and electric, call Dixon™ for details

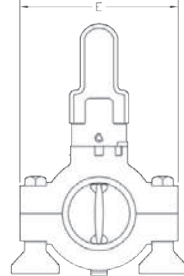
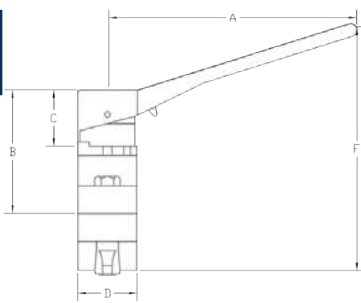
Information supplied based on water media @ 68°F

Size	Break Torque (in-lbs.)	Assembly Torque (in-lbs.)	Pressure Rating (PSI)	Flow Coefficient (C <sub>v</sub> )	Weight w/standard handle (lbs.)
1"	125	36	140	23	1.5
1½"	185	36	140	80	2
2"	200	21.6	120	230	2.5
2½"	260	21.6	120	264	3
3"	350	28.8	100	372	4
4"	495	43.2	70	800	6



Size	316L Stainless Steel with Silicone Seats		316L Stainless Steel with FKM Seats		316L Stainless Steel with EPDM Seats	
	Part #	Price/E	Part #	Price/E	Part #	Price/E
1"	<b>B5102S100-A</b>	<b>\$202.50</b>	<b>B5102V100-A</b>	<b>\$250.20</b>	<b>B5102E100-A</b>	<b>\$202.50</b>
1½"	<b>B5102S150-A</b>	<b>202.50</b>	<b>B5102V150-A</b>	<b>247.90</b>	<b>B5102E150-A</b>	<b>202.50</b>
2"	<b>B5102S200-A</b>	<b>246.35</b>	<b>B5102V200-A</b>	<b>302.75</b>	<b>B5102E200-A</b>	<b>246.35</b>
2½"	<b>B5102S250-A</b>	<b>318.10</b>	<b>B5102V250-A</b>	<b>388.25</b>	<b>B5102E250-A</b>	<b>318.10</b>
3"	<b>B5102S300-A</b>	<b>376.30</b>	<b>B5102V300-A</b>	<b>454.55</b>	<b>B5102E300-A</b>	<b>376.30</b>
4"	<b>B5102S400-A</b>	<b>550.00</b>	<b>B5102V400-A</b>	<b>659.80</b>	<b>B5102E400-A</b>	<b>550.00</b>

N



Size	Dimensions						Break Torque (inch lbs.)	PSI @ 68°F
	A	B	C	D	E	F		
1"	5.6"	2.8"	1.3"	1.3"	3.6"	5.6"	125	140
1½"	5.6"	2.8"	1.3"	1.3"	3.6"	5.6"	185	140
2"	5.6"	3.0"	1.3"	1.3"	4.1"	6.1"	200	120
2½"	5.6"	3.3"	1.3"	1.3"	4.6"	6.6"	260	120
3"	5.6"	3.6"	1.3"	1.3"	5.3"	7.1"	350	100
4"	5.6"	4.1"	1.3"	1.3"	6.4"	8.2"	495	70

### Repair Kit for Clamp Butterfly Valves

Repair kit contains:

- (1) seat
- (2) bushings

Valve Size	Black EPDM		Red Silicone		Black FKM	
	Part #	Price/E	Part #	Price/E	Part #	Price/E
1"	<b>B5102-RKE100</b>	<b>\$22.95</b>	<b>B5102-RKS100</b>	<b>\$29.15</b>	<b>B5102-RKV100</b>	<b>\$98.05</b>
1½"	<b>B5102-RKE150</b>	<b>16.65</b>	<b>B5102-RKS150</b>	<b>22.65</b>	<b>B5102-RKV150</b>	<b>88.00</b>
2"	<b>B5102-RKE200</b>	<b>24.60</b>	<b>B5102-RKS200</b>	<b>31.05</b>	<b>B5102-RKV200</b>	<b>111.75</b>
2½"	<b>B5102-RKE250</b>	<b>31.50</b>	<b>B5102-RKS250</b>	<b>37.00</b>	<b>B5102-RKV250</b>	<b>135.50</b>
3"	<b>B5102-RKE300</b>	<b>71.85</b>	<b>B5102-RKS300</b>	<b>83.00</b>	<b>B5102-RKV300</b>	<b>200.35</b>
4"	<b>B5102-RKE400</b>	<b>96.10</b>	<b>B5102-RKS400</b>	<b>104.00</b>	<b>B5102-RKV400</b>	<b>263.75</b>

# Butterfly Valve Automation

## Butterfly Valve with Stainless Steel Vertical Spring Return Actuation

### Features:

- silicone and FKM elastomers also available
- other end configurations are available
- contact Dixon™ for more information

### Butterfly Valve with EPDM seats and a vertical spring return normally closed pneumatic canister style actuator

Valve Size	Style B5101 Part #	Price/E	Style B5102 Part #	Price/E
1/2"	<b>B5101E050CC-G</b>	<b>\$949.65</b>	---	---
3/4"	<b>B5101E075CC-G</b>	<b>949.65</b>	---	---
1"	<b>B5101E100CC-G</b>	<b>831.25</b>	<b>B5102E100-G</b>	<b>\$656.80</b>
1 1/2"	<b>B5101E150CC-G</b>	<b>824.70</b>	<b>B5102E150-G</b>	<b>659.05</b>
2"	<b>B5101E200CC-G</b>	<b>976.15</b>	<b>B5102E200-G</b>	<b>685.35</b>
2 1/2"	<b>B5101E250CC-G</b>	<b>930.95</b>	<b>B5102E250-G</b>	<b>726.00</b>
3"	<b>B5101E300CC-G</b>	<b>1088.50</b>	<b>B5102E300-G</b>	<b>771.35</b>
4"	<b>B5101E400CC-G</b>	<b>1377.75</b>	<b>B5102E400-G</b>	<b>885.15</b>

### Butterfly Valve with EPDM seats and a vertical spring return normally open pneumatic canister style actuator

Valve Size	Style B5101 Part #	Price/E	Style B5102 Part #	Price/E
1/2"	<b>B5101E050CC-F</b>	<b>\$949.65</b>	---	---
3/4"	<b>B5101E075CC-F</b>	<b>949.65</b>	---	---
1"	<b>B5101E100CC-F</b>	<b>812.50</b>	<b>B5102E100-F</b>	<b>\$671.90</b>
1 1/2"	<b>B5101E150CC-F</b>	<b>806.15</b>	<b>B5102E150-F</b>	<b>659.05</b>
2"	<b>B5101E200CC-F</b>	<b>862.30</b>	<b>B5102E200-F</b>	<b>701.15</b>
2 1/2"	<b>B5101E250CC-F</b>	<b>930.95</b>	<b>B5102E250-F</b>	<b>726.00</b>
3"	<b>B5101E300CC-F</b>	<b>1064.00</b>	<b>B5102E300-F</b>	<b>789.15</b>
4"	<b>B5101E400CC-F</b>	<b>1346.75</b>	<b>B5102E400-F</b>	<b>905.55</b>

### Butterfly Valve with EPDM seats and a vertical double acting pneumatic canister style actuator

Valve Size	Style B5101 Part #	Price/E	Style B5102 Part #	Price/E
1/2"	<b>B5101E050CC-H</b>	<b>\$949.65</b>	---	---
3/4"	<b>B5101E075CC-H</b>	<b>949.65</b>	---	---
1"	<b>B5101E100CC-H</b>	<b>831.25</b>	<b>B5102E100-H</b>	<b>\$671.90</b>
1 1/2"	<b>B5101E150CC-H</b>	<b>806.15</b>	<b>B5102E150-H</b>	<b>659.05</b>
2"	<b>B5101E200CC-H</b>	<b>862.30</b>	<b>B5102E200-H</b>	<b>701.15</b>
2 1/2"	<b>B5101E250CC-H</b>	<b>930.95</b>	<b>B5102E250-H</b>	<b>726.00</b>
3"	<b>B5101E300CC-H</b>	<b>1088.50</b>	<b>B5102E300-H</b>	<b>771.35</b>
4"	<b>B5101E400CC-H</b>	<b>1346.75</b>	<b>B5102E400-H</b>	<b>885.15</b>

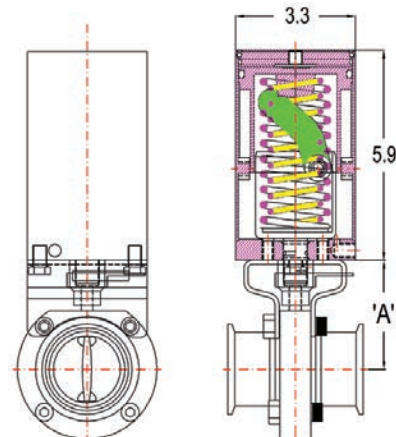


N

### Dimensions

#### Dimension 'A'

Valve Size	Valve Style	
	B5101	B5102
1/2" - 1"	2.7"	2.5"
1 1/2"	2.7"	2.5"
2"	3.1"	2.9"
2 1/2"	3.5"	3.2"
3"	3.7"	3.4"
4"	4.5"	4.0"

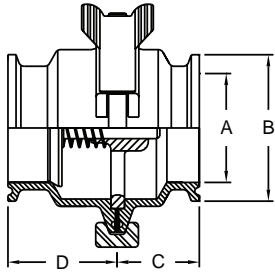


All dimensions are in inches, unless noted. Dimensions are approximate.  
Engineering dimensions are available upon request. Specifications are subject to change without notice.





## Spring Check Valves



### Features:

- 3A authorized 58-00
- full size flow plate
- long stem bushing for increased cycle life
- suitable for low and medium viscosity fluids
- field serviceable (no special tools required)
- operating temperature range: **15°F to 200°F**
- maximum operating pressure: **145 PSI**
- various end connections available, contact Dixon™ for information

Size	Dimensions				316L Stainless Steel	
	A	B	C	D	Part #	Price/E
½"	0.37"	0.99"	1.10"	1.60"	<b>B45MP-R50</b>	<b>\$403.25</b>
¾"	0.62"	0.99"	1.10"	1.60"	<b>B45MP-R75</b>	<b>453.00</b>
1"	0.87"	1.99"	1.37"	1.92"	<b>B46MP-R100</b>	<b>440.60</b>
1½"	1.37"	1.99"	1.44"	1.92"	<b>B46MP-R150</b>	<b>439.70</b>
2"	1.87"	2.52"	1.44"	1.92"	<b>B46MP-R200</b>	<b>556.10</b>
2½"	2.37"	3.05"	1.44"	1.92"	<b>B46MP-R250</b>	<b>798.50</b>
3"	2.87"	3.58"	1.44"	1.92"	<b>B46MP-R300</b>	<b>1026.30</b>
4"	3.84"	4.69"	1.88"	2.15"	<b>B46MP-R400</b>	<b>1315.00</b>

### Repair Kits for Spring Check Valves

Repair kit for ½" - ¾" contains:

- (1) 316L spring
- (1) FKM stem seat
- (1) Buna body O-ring

Repair kit for 1" - 4" contains:

- (1) 316L spring
- (1) FKM stem seat
- (1) Buna clamp gasket

Size	Part #	Price/E
½"	<b>B45MP-RK050</b>	<b>\$18.80</b>
¾"	<b>B45MP-RK075</b>	<b>18.80</b>
1"	<b>B46MP-RK100</b>	<b>29.75</b>
1½"	<b>B46MP-RK150</b>	<b>31.10</b>
2"	<b>B46MP-RK200</b>	<b>37.40</b>
2½"	<b>B46MP-RK250</b>	<b>38.55</b>
3"	<b>B46MP-RK300</b>	<b>48.55</b>
4"	<b>B46MP-RK400</b>	<b>51.35</b>

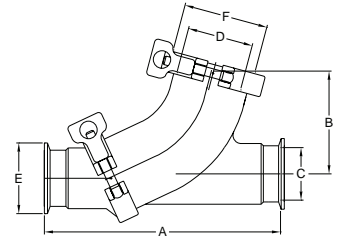
N

## Y Ball Check Valves

When liquid flows through the valve, the ball is forced into the branch of the valve allowing full fluid flow. When the liquid stops, equalizing the pressure, the ball drops back into the seat, preventing backflow. Should reverse flow occur, the differential pressure will cause the ball to seal firmly against the seat preventing leakage.

### Features:

- maximum operating pressure: **150 PSI**
- temperature range: **15° to 200°F**
- two piece construction for easier alignment during installation
- ID and OD polished to 3A standards
- all metal contact surfaces of 316L stainless steel construction
- PTFE ball
- replaceable seat
- field serviceable without special tools
- various end configurations available: clamp, weld, I-line, Q-line, bevel seat and John Perry
- air blow check valve can be added (see air blow for sizing)



Size	Dimensions						316L Stainless Steel	
	A	B	C	D	E	F	Part #	Price/E
1½"	7.50"	3.30"	1.36"	1.87"	1.98"	2.51"	<b>B45BY-R150</b>	<b>\$806.30</b>
2"	8.50"	3.90"	1.86"	2.33"	2.51"	3.04"	<b>B45BY-R200</b>	<b>1006.95</b>
2½"	10.00"	4.50"	2.37"	2.87"	3.04"	3.57"	<b>B45BY-R250</b>	<b>1331.25</b>
3"	11.50"	5.30"	2.87"	3.83"	3.57"	4.68"	<b>B45BY-R300</b>	<b>2176.85</b>

## Kits for Ball Check Valves

### Repair Kits

repair kit contains:

- (1) PTFE ball
- (1) EPDM/CF8M seat
- (1) EPDM cap gasket

Size	Part #	Price/E
1½"	<b>B45BY-RK150</b>	<b>\$122.50</b>
2"	<b>B45BY-RK200</b>	<b>160.60</b>
2½"	<b>B45BY-RK250</b>	<b>324.40</b>
3"	<b>B45BY-RK300</b>	<b>679.85</b>

### Seal Kits

seal kit contains:

- (1) EPDM/CF8M seat
- (1) EPDM cap gasket

Size	Part #	Price/E
1½"	<b>B45BY-SK150</b>	<b>\$47.85</b>
2"	<b>B45BY-SK200</b>	<b>57.05</b>
2½"	<b>B45BY-SK250</b>	<b>76.15</b>
3"	<b>B45BY-SK300</b>	<b>106.40</b>

### All FKM Seal Kits

FKM seal kit contains:

- (1) FKM/CF8M seat
- (1) FKM cap gasket

Size	Part #	Price/E
1½"	<b>B45BY-SKV150</b>	<b>\$100.35</b>
2"	<b>B45BY-SKV200</b>	<b>125.00</b>
2½"	<b>B45BY-SKV250</b>	<b>161.75</b>
3"	<b>B45BY-SKV300</b>	<b>234.20</b>

### Replacement Balls

(1) PTFE Ball

Size	Part #	Price/E
1½"	<b>B45BY-TB150</b>	<b>\$110.15</b>
2"	<b>B45BY-TB200</b>	<b>164.15</b>
2½"	<b>B45BY-TB250</b>	<b>378.15</b>
3"	<b>B45BY-TB300</b>	<b>813.00</b>



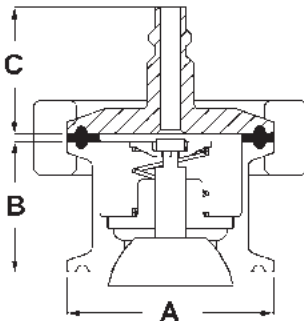
## Air Blow Check Valves

### Applications:

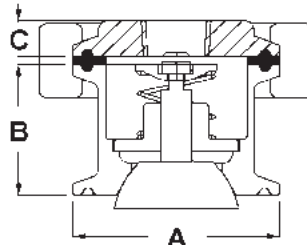
- The air blow check valve is designed to pressurize lines with air to clean out product or cleaning solutions. It is fail-safe because the simple air-to-open, spring-to-close mechanism prevents backflow. Can be used with a check valve.

### Features:

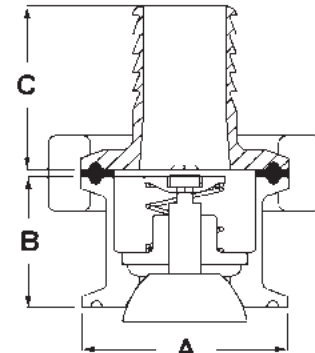
- EPDM seat and gasket
- conforms to 3A practice 604-05 with optional filter disc, sold separately in packs of 50
- maximum temperature: **212°F**
- maximum operating pressure: **145 PSI**



B45AB



B45BC



B45CC

Size	Dimensions		Quick Connect Plug 316L Stainless Steel		Dim. C	Female NPT 316L Stainless Steel		Dim. C	Hose Barb 316L Stainless Steel		Dim. C
	A	B	Part #	Price/E		Part #	Price/E		Part #	Price/E	
1"-1½"	1.984"	1.300"	<b>B45AB-R100150</b>	<b>\$350.20</b>	1.26"	<b>B45BC-R100150</b>	<b>\$372.50</b>	0.60"	<b>B45CC-R100150</b>	<b>\$372.15</b>	1.70"
2"	2.516"	1.300"	<b>B45AB-R200</b>	<b>349.70</b>	1.26"	<b>B45BC-R200</b>	<b>379.20</b>	0.60"	<b>B45CC-R200</b>	<b>379.20</b>	1.70"
2½"	3.047"	1.300"	<b>B45AB-R250</b>	<b>459.20</b>	1.26"	<b>B45BC-R250</b>	<b>488.00</b>	0.60"	<b>B45CC-R250</b>	<b>488.00</b>	1.70"
3"	3.579"	1.300"	<b>B45AB-R300</b>	<b>566.30</b>	1.26"	<b>B45BC-R300</b>	<b>566.30</b>	0.60"	<b>B45CC-R300</b>	<b>566.30</b>	1.70"
4"	4.682"	1.300"	<b>B45AB-R400</b>	<b>643.70</b>	1.26"	<b>B45BC-R400</b>	<b>643.70</b>	0.60"	<b>B45CC-R400</b>	<b>643.70</b>	1.70"

### Repair Kit for Air Blow Check Valves

Repair kit contains:

- (1) EPDM / 316L stainless perforated disc
- (1) 304 stainless spring retainer
- (1) 304 stainless spring
- (1) nylon stem guide
- (1) EPDM / 316L stainless steel plug and stem

Part #	Price/E
<b>B45AB-RK</b>	<b>\$110.10</b>

When using air blow check valves with ball check valves, refer to the sizing chart below.

#### Sizing Chart

Ball Check Valve Size	Air Blow Check Valve Size
1½"	2"
2"	2½"
2½"	3"
3"	4"

Dixon™'s commitment to excellence and continuous research and development for improving product quality may warrant periodic changes in design and specification. We reserve the right to modify product design without prior notification and without incurring any liability to provide these modifications to products previously purchased.



## Air & Vacuum Relief Tank Vent Valve

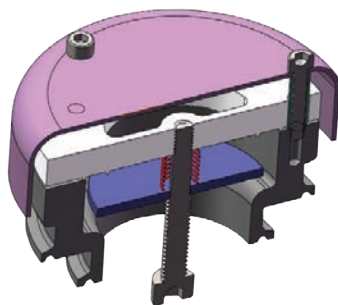
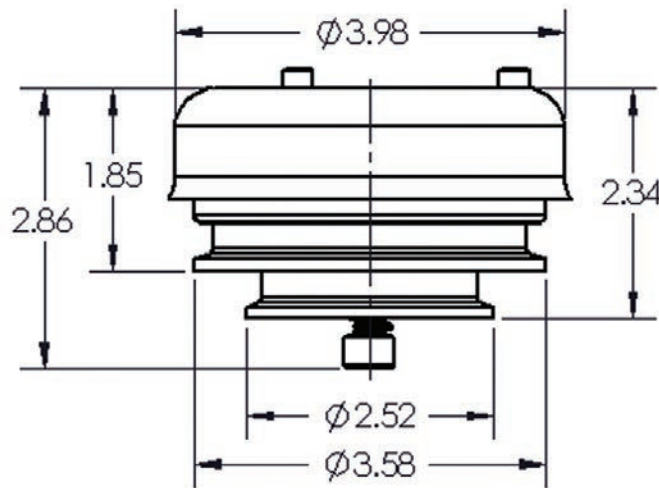
### Features:

- valve relieves pressure as the fluid level rises while filling a tank
- valve relieves vacuum as the fluid level drops while emptying a tank
- 2" and 3" clamp connections on the same valve
- dome helps in preventing external contamination
- light weight, robust PVC and 304 stainless steel construction
- can use any clamp gasket
- maximum flow rate: 500 GPM
- vacuum break: .1 PSI
- pressure relief: .1 PSI

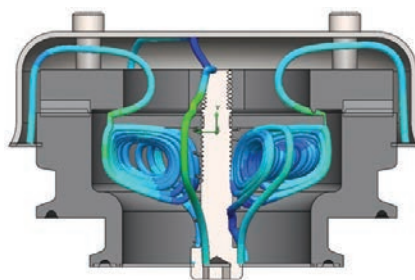


Size	304 Stainless Steel Part #	Price/E
2" - 3"	<b>TVPC200-300</b>	<b>\$98.55</b>

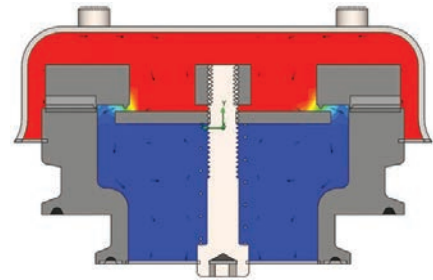
### Dimensions



Assembly



Vent Flow Pipes



Pressure Analysis

N

## Stainless Steel Air &amp; Vacuum Relief Tank Vent Valve

**NEW****Applications:**

- used to relieve pressure or vacuum when product filling or evacuation in a tank

**Features:**

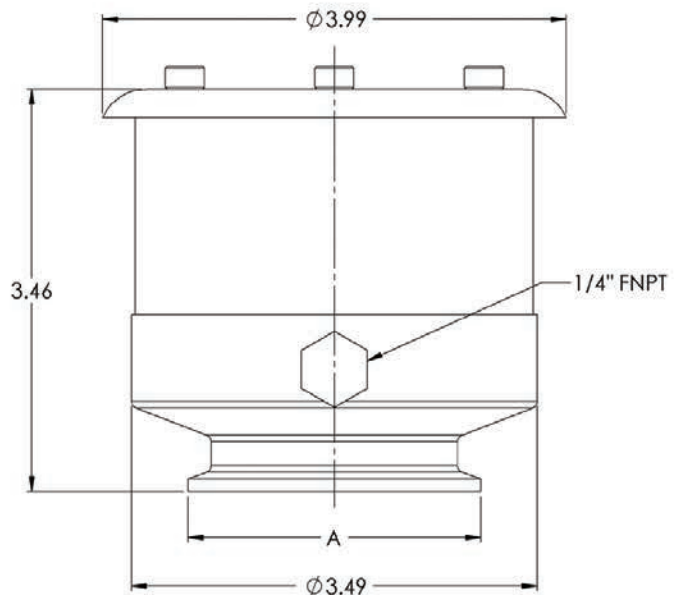
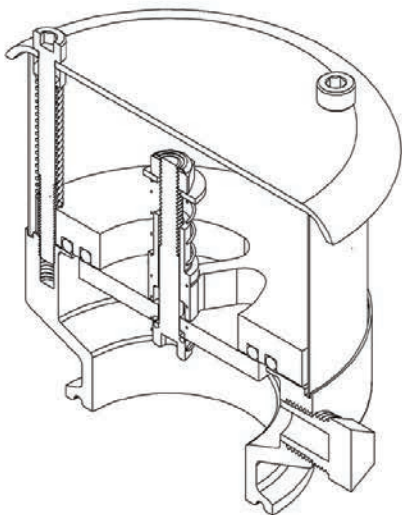
- triple action
  - valve relieves pressure as the fluid level rises while filling a tank
  - valve relieves vacuum as the fluid level drops while emptying a tank
  - seals under equal pressure
- stainless steel screen surrounds the entire vacuum and pressure flow area
- sizes: 2", 3" or 4" – clamp connection standard
- other sanitary connections optional
- ¼" FNPT connection for gas inlet, plug also supplied
- vacuum break: 2" water column, 0.1 PSI
- pressure relief: 22" water column, 0.8 PSI
- maximum temperature and pressure rating: **3 PSI @ 70°F**
- maximum flow rate: 500 GPM

**Materials:**

- 304 stainless steel, EPDM elastomer

Tube OD	304 Stainless Steel	
	Part Number	Price/E
2"	<b>TVSEC-G200</b>	<b>\$682.45</b>
3"	<b>TVSEC-G300</b>	<b>682.45</b>
4"	<b>TVSEC-G400</b>	<b>770.15</b>

N



## Dixon™ Pump Line

### Applications:

- used in food processing, beverage, dairy, pharmaceutical and chemical applications
- used in many industrial applications when cleanability is an important factor

Dixon™/JEC Positive Displacement Pumps



### RZL-Series of Rotary Lobe Pumps

#### Features:

- sizes: 1" to 10"
- flow: 1.32 to 290 Gal / per 100 rev
- maximum working pressure: **435 PSI**
- maximum speed: 1,000 RPM
- 316L stainless steel and 25Ra standard
- 100% CIPable
- universal mounting
- rotors: single and bi-wing, bi-lobe, tri-lobe and 5-lobe, single and double heli-lobe, spur gear
- front loading seals: single and double O-ring, triple lip, single and double mechanical, flush
- stainless steel gear box standard
- for all other options – contact Dixon™'s Engineering Department 800.789.1718



### RZP-Series of Circumferential Piston Pumps

#### Features:

- sizes: 1½" to 4"
- flow: 1.38 to 81.10 Gal/100rev
- maximum working pressure: **246 PSI**
- maximum speed: 800 RPM
- 316L stainless steel and 25Ra standard
- 100% CIPable
- universal mounting
- front loading seals: single and double O-ring, triple lip seal, single and double mechanical, flush
- stainless steel gear box standard
- for all other options – contact Dixon™'s Engineering Department 800.789.1718



N

### Dixon™ BC-Series and BP-Series Sanitary Centrifugal Pumps



#### Features:

- sizes: 1½" to 6" inlet; 1½" to 4" outlet
- flow: up to 1200 GPM
- speed: up to 3500 RPM – 60 Hz
- 316L and 32Ra standard for wetted parts
- seals: D, DG and optional flush
- interchangeable with other C-Series pumps
- BC-Series features impeller retainer
- BP-Series features threaded impeller nut
- complete information is available in Dixon™'s Engineered Products Catalog





# High Purity BioPharm Fittings

## Specifications

- All fittings are manufactured to meet the latest edition of the ASME BPE International Standard, Bioprocessing Equipment.
- 316L stainless steel material and dimensions meet all orbital welding specifications with controlled sulphur.

## Markets

- pharmaceutical
- cosmetics
- bioprocessing
- food processing
- semiconductor
- beverage

## Packaging

Product markings per ASME BPE 2012 DT-10.1

- job number
- 316L
- Dixon™ part number
- heat number(s)
- surface finish code
- ASME BPE


Per the specification, the size of the fitting may limit the space available for markings. When this occurs, the markings starting at the bottom of the list are not applied. The Dixon™ part number will describe the part configuration and size.

MTR (material test report) certifications are included inside a resealable bag with each fitting. The MTRs are traceable through the job number found on each fitting. All fittings are capped to prevent damage and contamination. Material test reports are also available from the Dixon™ website [dixonvalve.com](http://dixonvalve.com); just enter the job number located on each fitting.

For easy identification each finish will have a different color cap.

- PL finish - SF1...blue caps
- PM finish - SF4...white caps

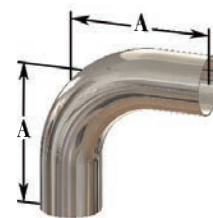
## Example MTR

Dixon Sanitary High Purity BioPharm Fittings										
316L (S31603) Stainless Steel Material Test Report										
Job Number		AB242								
Bradford™ Part Number	Description	Size				Surface finish				
T7RWVWV-100075PL	Automatic Weld Reducing Tee per Table DT-4.1.2-6	1"x¼"				SF1 (20Ra)				
Chemical analysis (%) per ASME BPE 2012 Table MM-2.1-1 and Section MM-5.1.1										
Item	Heat number	C	Mn	P	S	Si	Cr	Ni	Mo	N
		0.030	2.00	0.045	0.017	1.00	16.00	10.00	2.00	
M	952862	0.018	1.53	0.032	0.012	0.42	16.80	10.10	2.03	0.06
B	H4V0	0.019	1.46	0.035	0.015	0.25	16.70	10.10	2.05	0.05
Mechanical Test Results										
Item	Yield Strength (0.2%), MPa	Tensile Strength, MPa	Elongation, %	Hardness, HRB	Specification					
	170 minimum	485 minimum	35 minimum	90 maximum						
M	330	600	62.0	84	ASTM A270/A270M S2					
B	387	621	50.0	85	ASTM A270/A270M S2					
<i>Product of Thailand</i>										
<p>We certify that the above is a true copy of the test results issued by the material supplier. This MTR conforms to EN10204-3.1. All fittings supplied by Dixon Sanitary conform to the requirements of the European Union Directive 2002/95/EC on the restriction of the use of certain hazardous substances in electrical and electronic equipment (RoHS).</p>										
<p><i>James G. LeClair</i></p> <p>James G. LeClair VP / Division Manager</p>										
<p>Dixon Sanitary N25 W23040 Paul Rd. Pewaukee, WI 53072 USA 800-789-1718</p>										
 <i>The Right Connection®</i>										

High Purity BioPharm Fittings 

## 90° Weld Elbows - T2S

Size	Dimension A	PL finish - SF1		PM finish - SF4	
		Part #	Price/E	Part #	Price/E
1/2"	3.00"	<b>T2S-050PL</b>	<b>\$50.30</b>	<b>T2S-050PM</b>	<b>\$80.30</b>
3/4"	3.00"	<b>T2S-075PL</b>	<b>50.30</b>	<b>T2S-075PM</b>	<b>80.30</b>
1"	3.00"	<b>T2S-100PL</b>	<b>44.25</b>	<b>T2S-100PM</b>	<b>73.50</b>
1 1/2"	3.75"	<b>T2S-150PL</b>	<b>46.35</b>	<b>T2S-150PM</b>	<b>82.45</b>
2"	4.75"	<b>T2S-200PL</b>	<b>55.45</b>	<b>T2S-200PM</b>	<b>97.40</b>
2 1/2"	5.50"	<b>T2S-250PL</b>	<b>105.60</b>	<b>T2S-250PM</b>	<b>145.10</b>
3"	6.25"	<b>T2S-300PL</b>	<b>132.15</b>	<b>T2S-300PM</b>	<b>193.15</b>
4"	8.00"	<b>T2S-400PL</b>	<b>253.75</b>	<b>T2S-400PM</b>	<b>319.55</b>



BPE Table DT-4.1.1-1

## 90° Clamp x Weld Elbows - T2CM

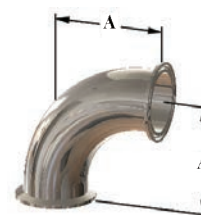
Size	Dimensions		PL finish - SF1		PM finish - SF4	
	A	B	Part #	Price/E	Part #	Price/E
1/2"	3.00"	1.625"	<b>T2CM-050PL</b>	<b>\$91.30</b>	<b>T2CM-050PM</b>	<b>\$108.80</b>
3/4"	3.00"	1.625"	<b>T2CM-075PL</b>	<b>91.30</b>	<b>T2CM-075PM</b>	<b>108.80</b>
1"	3.00"	2.000"	<b>T2CM-100PL</b>	<b>80.75</b>	<b>T2CM-100PM</b>	<b>102.10</b>
1 1/2"	3.75"	2.750"	<b>T2CM-150PL</b>	<b>83.45</b>	<b>T2CM-150PM</b>	<b>103.40</b>
2"	4.75"	3.500"	<b>T2CM-200PL</b>	<b>105.60</b>	<b>T2CM-200PM</b>	<b>130.60</b>
2 1/2"	5.50"	4.250"	<b>T2CM-250PL</b>	<b>162.05</b>	<b>T2CM-250PM</b>	<b>196.80</b>
3"	6.25"	5.000"	<b>T2CM-300PL</b>	<b>211.40</b>	<b>T2CM-300PM</b>	<b>248.25</b>
4"	8.00"	6.625"	<b>T2CM-400PL</b>	<b>329.15</b>	<b>T2CM-400PM</b>	<b>377.60</b>



BPE Table DT-4.1.1-2

## 90° Clamp x Clamp Elbows - T2CMP

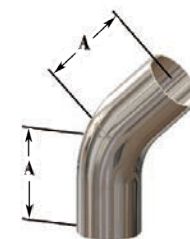
Size	Dimension A	PL finish - SF1		PM finish - SF4	
		Part #	Price/E	Part #	Price/E
1/2"	1.625"	<b>T2CMP-050PL</b>	<b>\$87.35</b>	<b>T2CMP-050PM</b>	<b>\$106.10</b>
3/4"	1.625"	<b>T2CMP-075PL</b>	<b>87.35</b>	<b>T2CMP-075PM</b>	<b>106.10</b>
1"	2.000"	<b>T2CMP-100PL</b>	<b>74.55</b>	<b>T2CMP-100PM</b>	<b>93.95</b>
1 1/2"	2.750"	<b>T2CMP-150PL</b>	<b>77.05</b>	<b>T2CMP-150PM</b>	<b>106.20</b>
2"	3.500"	<b>T2CMP-200PL</b>	<b>103.10</b>	<b>T2CMP-200PM</b>	<b>139.20</b>
2 1/2"	4.250"	<b>T2CMP-250PL</b>	<b>169.65</b>	<b>T2CMP-250PM</b>	<b>200.75</b>
3"	5.000"	<b>T2CMP-300PL</b>	<b>192.40</b>	<b>T2CMP-300PM</b>	<b>228.45</b>
4"	6.625"	<b>T2CMP-400PL</b>	<b>394.95</b>	<b>T2CMP-400PM</b>	<b>493.70</b>



BPE Table DT-4.11.1-3

## 45° Weld Elbows - T2KS

Size	Dimension A	PL finish - SF1		PM finish - SF4	
		Part #	Price/E	Part #	Price/E
1/2"	2.250"	<b>T2KS-050PL</b>	<b>\$53.40</b>	<b>T2KS-050PM</b>	<b>\$82.95</b>
3/4"	2.250"	<b>T2KS-075PL</b>	<b>53.40</b>	<b>T2KS-075PM</b>	<b>82.95</b>
1"	2.250"	<b>T2KS-100PL</b>	<b>56.55</b>	<b>T2KS-100PM</b>	<b>74.95</b>
1 1/2"	2.500"	<b>T2KS-150PL</b>	<b>58.80</b>	<b>T2KS-150PM</b>	<b>77.55</b>
2"	3.000"	<b>T2KS-200PL</b>	<b>63.05</b>	<b>T2KS-200PM</b>	<b>97.40</b>
2 1/2"	3.375"	<b>T2KS-250PL</b>	<b>79.55</b>	<b>T2KS-250PM</b>	<b>115.25</b>
3"	3.625"	<b>T2KS-300PL</b>	<b>93.95</b>	<b>T2KS-300PM</b>	<b>153.15</b>
4"	4.500"	<b>T2KS-400PL</b>	<b>163.35</b>	<b>T2KS-400PM</b>	<b>237.75</b>



BPE Table DT-4.1.1-4

PL Finish – SF1  
 OD = 32R<sub>a</sub> Mechanically Polished  
 ID = 20R<sub>a</sub> Mechanically Polished

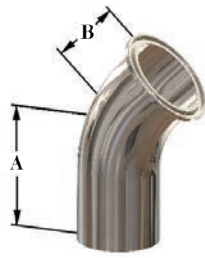
PM Finish – SF4  
 OD = 32R<sub>a</sub> Mechanically Polished  
 ID = 15R<sub>a</sub> Mechanically Polished and Electropolished





# High Purity BioPharm Fittings

## 45° Clamp x Weld Elbows - T2KM



BPE Table DT-4.1.1-5

Size	Dimensions		PL finish - SF1		PM finish - SF4	
	A	B	Part #	Price/E	Part #	Price/E
1/2"	2.250"	1.000"	<b>T2KM-050PL</b>	<b>\$86.15</b>	<b>T2KM-050PM</b>	<b>\$104.80</b>
3/4"	2.250"	1.000"	<b>T2KM-075PL</b>	<b>86.15</b>	<b>T2KM-075PM</b>	<b>104.80</b>
1"	2.250"	1.125"	<b>T2KM-100PL</b>	<b>80.75</b>	<b>T2KM-100PM</b>	<b>102.15</b>
1 1/2"	2.500"	1.438"	<b>T2KM-150PL</b>	<b>83.45</b>	<b>T2KM-150PM</b>	<b>103.40</b>
2"	3.000"	1.750"	<b>T2KM-200PL</b>	<b>95.25</b>	<b>T2KM-200PM</b>	<b>130.25</b>
2 1/2"	3.375"	2.063"	<b>T2KM-250PL</b>	<b>121.35</b>	<b>T2KM-250PM</b>	<b>167.05</b>
3"	3.625"	2.380"	<b>T2KM-300PL</b>	<b>162.05</b>	<b>T2KM-300PM</b>	<b>216.50</b>
4"	4.500"	3.125"	<b>T2KM-400PL</b>	<b>219.00</b>	<b>T2KM-400PM</b>	<b>289.05</b>

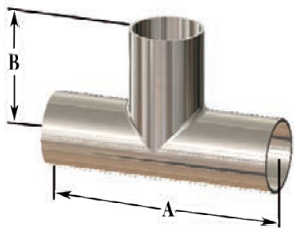
## 45° Clamp x Clamp Elbows - T2KMP



BPE Table DT-4.1.1-6

Size	Dimension A	PL finish - SF1		PM finish - SF4	
		Part #	Price/E	Part #	Price/E
1/2"	1.000"	<b>T2KMP-050PL</b>	<b>\$104.30</b>	<b>T2KMP-050PM</b>	<b>\$123.80</b>
3/4"	1.000"	<b>T2KMP-075PL</b>	<b>104.30</b>	<b>T2KMP-075PM</b>	<b>123.80</b>
1"	1.125"	<b>T2KMP-100PL</b>	<b>90.90</b>	<b>T2KMP-100PM</b>	<b>111.65</b>
1 1/2"	1.438"	<b>T2KMP-150PL</b>	<b>94.55</b>	<b>T2KMP-150PM</b>	<b>112.90</b>
2"	1.750"	<b>T2KMP-200PL</b>	<b>108.30</b>	<b>T2KMP-200PM</b>	<b>145.10</b>
2 1/2"	2.063"	<b>T2KMP-250PL</b>	<b>167.10</b>	<b>T2KMP-250PM</b>	<b>200.75</b>
3"	2.380"	<b>T2KMP-300PL</b>	<b>211.40</b>	<b>T2KMP-300PM</b>	<b>248.25</b>
4"	3.125"	<b>T2KMP-400PL</b>	<b>474.70</b>	<b>T2KMP-400PM</b>	<b>534.60</b>

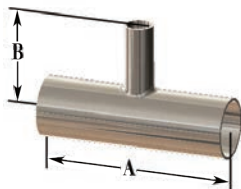
## Weld x Weld x Weld Tees - T7WWW



BPE Table DT-4.1.2-1

Size	Dimensions		PL finish - SF1		PM finish - SF4	
	A	B	Part #	Price/E	Part #	Price/E
1/2"	3.750"	1.875"	<b>T7WWW-050PL</b>	<b>\$78.40</b>	<b>T7WWW-050PM</b>	<b>\$110.15</b>
3/4"	4.000"	2.000"	<b>T7WWW-075PL</b>	<b>76.90</b>	<b>T7WWW-075PM</b>	<b>110.15</b>
1"	4.250"	2.125"	<b>T7WWW-100PL</b>	<b>58.85</b>	<b>T7WWW-100PM</b>	<b>100.65</b>
1 1/2"	4.750"	2.375"	<b>T7WWW-150PL</b>	<b>71.20</b>	<b>T7WWW-150PM</b>	<b>112.45</b>
2"	5.750"	2.875"	<b>T7WWW-200PL</b>	<b>87.85</b>	<b>T7WWW-200PM</b>	<b>136.70</b>
2 1/2"	6.250"	3.125"	<b>T7WWW-250PL</b>	<b>121.35</b>	<b>T7WWW-250PM</b>	<b>164.20</b>
3"	6.750"	3.375"	<b>T7WWW-300PL</b>	<b>168.40</b>	<b>T7WWW-300PM</b>	<b>216.50</b>
4"	8.250"	4.125"	<b>T7WWW-400PL</b>	<b>244.30</b>	<b>T7WWW-400PM</b>	<b>310.80</b>

## Weld x Weld x Weld Reducing Tees - T7RWWW



BPE Table DT-4.1.2-6

Size	Dimensions		PL finish - SF1		PM finish - SF4	
	A	B	Part #	Price/E	Part #	Price/E
3/4" x 1/2"	4.000"	2.000"	<b>T7RWWW-075050PL</b>	<b>\$118.65</b>	<b>T7RWWW-075050PM</b>	<b>\$142.65</b>
1" x 1/2"	4.250"	2.125"	<b>T7RWWW-100050PL</b>	<b>122.40</b>	<b>T7RWWW-100050PM</b>	<b>147.95</b>
1" x 3/4"	4.250"	2.125"	<b>T7RWWW-100075PL</b>	<b>122.40</b>	<b>T7RWWW-100075PM</b>	<b>147.95</b>
1 1/2" x 1/2"	4.750"	2.375"	<b>T7RWWW-150050PL</b>	<b>128.70</b>	<b>T7RWWW-150050PM</b>	<b>172.85</b>
1 1/2" x 3/4"	4.750"	2.375"	<b>T7RWWW-150075PL</b>	<b>128.70</b>	<b>T7RWWW-150075PM</b>	<b>157.15</b>
1 1/2" x 1"	4.750"	2.375"	<b>T7RWWW-150100PL</b>	<b>128.70</b>	<b>T7RWWW-150100PM</b>	<b>157.15</b>
2" x 1/2"	5.750"	2.625"	<b>T7RWWW-200050PL</b>	<b>166.65</b>	<b>T7RWWW-200050PM</b>	<b>198.10</b>
2" x 3/4"	5.750"	2.625"	<b>T7RWWW-200075PL</b>	<b>166.65</b>	<b>T7RWWW-200075PM</b>	<b>198.10</b>
2" x 1"	5.750"	2.625"	<b>T7RWWW-200100PL</b>	<b>166.65</b>	<b>T7RWWW-200100PM</b>	<b>198.10</b>
2" x 1 1/2"	5.750"	2.625"	<b>T7RWWW-200150PL</b>	<b>166.65</b>	<b>T7RWWW-200150PM</b>	<b>198.10</b>

PL Finish – SF1

OD = 32R<sub>a</sub> Mechanically Polished

ID = 20R<sub>a</sub> Mechanically Polished

PM Finish – SF4

OD = 32R<sub>a</sub> Mechanically Polished

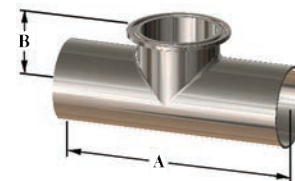
ID = 15R<sub>a</sub> Mechanically Polished and Electropolished

## High Purity BioPharm Fittings



## Weld x Weld x Clamp Short Outlet Tees - T7WWMS

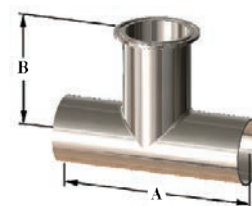
Size	Dimensions		PL finish - SF1		PM finish - SF4	
	A	B	Part #	Price/E	Part #	Price/E
1/2"	3.750"	1.000"	<b>T7WWMS-050PL</b>	<b>\$109.55</b>	<b>T7WWMS-050PM</b>	<b>\$130.60</b>
3/4"	4.000"	1.125"	<b>T7WWMS-075PL</b>	<b>109.55</b>	<b>T7WWMS-075PM</b>	<b>130.60</b>
1"	4.250"	1.125"	<b>T7WWMS-100PL</b>	<b>97.85</b>	<b>T7WWMS-100PM</b>	<b>115.65</b>
1 1/2"	4.750"	1.375"	<b>T7WWMS-150PL</b>	<b>97.85</b>	<b>T7WWMS-150PM</b>	<b>119.65</b>
2"	5.750"	1.625"	<b>T7WWMS-200PL</b>	<b>117.40</b>	<b>T7WWMS-200PM</b>	<b>142.65</b>
2 1/2"	6.250"	1.825"	<b>T7WWMS-250PL</b>	<b>153.25</b>	<b>T7WWMS-250PM</b>	<b>188.80</b>
3"	6.750"	2.125"	<b>T7WWMS-300PL</b>	<b>199.45</b>	<b>T7WWMS-300PM</b>	<b>246.95</b>
4"	8.250"	2.750"	<b>T7WWMS-400PL</b>	<b>378.90</b>	<b>T7WWMS-400PM</b>	<b>496.35</b>



BPE Table DT-4.1.2-2

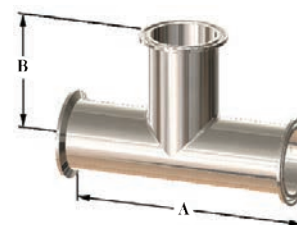
## Weld x Weld x Clamp Tees - T7WWM

Size	Dimensions		PL finish - SF1		PM finish - SF4	
	A	B	Part #	Price/E	Part #	Price/E
1/2"	3.750"	2.250"	<b>T7WWM-050PL</b>	<b>\$109.55</b>	<b>T7WWM-050PM</b>	<b>\$130.60</b>
3/4"	4.000"	2.375"	<b>T7WWM-075PL</b>	<b>109.55</b>	<b>T7WWM-075PM</b>	<b>130.60</b>
1"	4.250"	2.625"	<b>T7WWM-100PL</b>	<b>94.75</b>	<b>T7WWM-100PM</b>	<b>115.75</b>
1 1/2"	4.750"	2.875"	<b>T7WWM-150PL</b>	<b>97.85</b>	<b>T7WWM-150PM</b>	<b>131.60</b>
2"	5.750"	3.375"	<b>T7WWM-200PL</b>	<b>117.40</b>	<b>T7WWM-200PM</b>	<b>156.90</b>
2 1/2"	6.250"	3.625"	<b>T7WWM-250PL</b>	<b>153.25</b>	<b>T7WWM-250PM</b>	<b>207.80</b>
3"	6.750"	3.875"	<b>T7WWM-300PL</b>	<b>208.90</b>	<b>T7WWM-300PM</b>	<b>271.60</b>
4"	8.250"	4.750"	<b>T7WWM-400PL</b>	<b>426.30</b>	<b>T7WWM-400PM</b>	<b>496.35</b>



## Clamp x Clamp x Clamp Tees - T7MP

Size	Dimensions		PL finish - SF1		PM finish - SF4	
	A	B	Part #	Price/E	Part #	Price/E
1/2"	4.500"	2.250"	<b>T7MP-050PL</b>	<b>\$140.50</b>	<b>T7MP-050PM</b>	<b>\$162.40</b>
3/4"	4.750"	2.375"	<b>T7MP-075PL</b>	<b>140.50</b>	<b>T7MP-075PM</b>	<b>162.40</b>
1"	5.250"	2.625"	<b>T7MP-100PL</b>	<b>122.40</b>	<b>T7MP-100PM</b>	<b>146.65</b>
1 1/2"	5.750"	2.875"	<b>T7MP-150PL</b>	<b>126.45</b>	<b>T7MP-150PM</b>	<b>165.65</b>
2"	6.750"	3.375"	<b>T7MP-200PL</b>	<b>143.00</b>	<b>T7MP-200PM</b>	<b>190.35</b>
2 1/2"	7.250"	3.625"	<b>T7MP-250PL</b>	<b>188.65</b>	<b>T7MP-250PM</b>	<b>251.30</b>
3"	7.750"	3.875"	<b>T7MP-300PL</b>	<b>405.05</b>	<b>T7MP-300PM</b>	<b>455.50</b>
4"	9.500"	4.750"	<b>T7MP-400PL</b>	<b>778.40</b>	<b>T7MP-400PM</b>	<b>860.70</b>



BPE Table DT-4.1.2-4

PL Finish – SF1

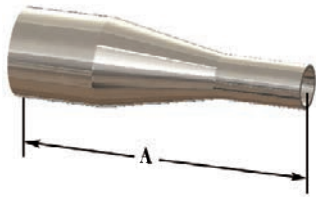
OD = 32R<sub>a</sub> Mechanically PolishedID = 20R<sub>a</sub> Mechanically Polished

PM Finish – SF4

OD = 32R<sub>a</sub> Mechanically PolishedID = 15R<sub>a</sub> Mechanically Polished and Electropolished



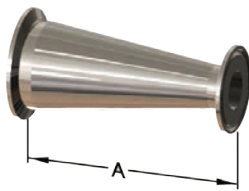
## High Purity BioPharm Fittings Weld x Weld Concentric Reducers - T31W



BPE Table DT-4.1.3-1(a)

Size	Dimension A	PL finish - SF1		PM finish - SF4	
		Part #	Price/E	Part #	Price/E
¾" x ½"	4.00"	<b>T31W-075050PL</b>	<b>\$96.20</b>	<b>T31W-075050PM</b>	<b>\$119.95</b>
1" x ½"	4.50"	<b>T31W-100050PL</b>	<b>118.70</b>	<b>T31W-100050PM</b>	<b>143.95</b>
1" x ¾"	4.00"	<b>T31W-100075PL</b>	<b>96.20</b>	<b>T31W-100075PM</b>	<b>119.95</b>
1½" x ½"	5.50"	<b>T31W-150050PL</b>	<b>247.50</b>	<b>T31W-150050PM</b>	<b>286.50</b>
1½" x ¾"	5.00"	<b>T31W-150075PL</b>	<b>247.50</b>	<b>T31W-150075PM</b>	<b>286.50</b>
1½" x 1"	5.00"	<b>T31W-150100PL</b>	<b>126.25</b>	<b>T31W-150100PM</b>	<b>151.85</b>
2" x ½"	7.75"	<b>T31W-200050PL</b>	<b>276.85</b>	<b>T31W-200050PM</b>	<b>413.70</b>
2" x ¾"	7.25"	<b>T31W-200075PL</b>	<b>246.60</b>	<b>T31W-200075PM</b>	<b>397.95</b>
2" x 1"	7.25"	<b>T31W-200100PL</b>	<b>139.65</b>	<b>T31W-200100PM</b>	<b>172.30</b>
2" x 1½"	5.25"	<b>T31W-200150PL</b>	<b>123.95</b>	<b>T31W-200150PM</b>	<b>155.85</b>

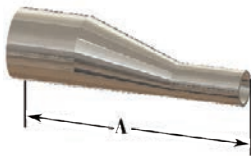
## Clamp x Clamp Concentric Reducers - T3114MP



BPE Table DT-4.1.3-3(a)

Size	Dimension A	PL finish - SF1		PM finish - SF4	
		Part #	Price/E	Part #	Price/E
¾" x ½"	2.000"	<b>T3114MP075050PL</b>	<b>\$189.90</b>	<b>T3114MP075050PM</b>	<b>\$221.85</b>
1" x ½"	2.500"	<b>T3114MP100050PL</b>	<b>227.85</b>	<b>T3114MP100050PM</b>	<b>265.40</b>
1" x ¾"	2.000"	<b>T3114MP100075PL</b>	<b>189.90</b>	<b>T3114MP100075PM</b>	<b>221.80</b>
1½" x ½"	3.500"	<b>T3114MP150050PL</b>	<b>319.70</b>	<b>T3114MP150050PM</b>	<b>368.30</b>
1½" x ¾"	3.000"	<b>T3114MP150075PL</b>	<b>319.70</b>	<b>T3114MP150075PM</b>	<b>368.30</b>
1½" x 1"	3.000"	<b>T3114MP150100PL</b>	<b>227.85</b>	<b>T3114MP150100PM</b>	<b>268.00</b>
2" x ½"	5.500"	<b>T3114MP200050PL</b>	<b>319.15</b>	<b>T3114MP200050PM</b>	<b>426.45</b>
2" x ¾"	5.000"	<b>T3114MP200075PL</b>	<b>463.00</b>	<b>T3114MP200075PM</b>	<b>525.45</b>
2" x 1"	5.000"	<b>T3114MP200100PL</b>	<b>280.55</b>	<b>T3114MP200100PM</b>	<b>322.15</b>
2" x 1½"	3.000"	<b>T3114MP200150PL</b>	<b>197.25</b>	<b>T3114MP200150PM</b>	<b>229.75</b>

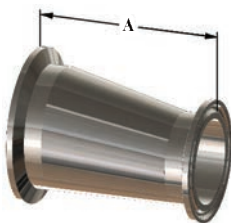
## Weld x Weld Eccentric Reducers - T32W



BPE Table DT-4.1.3-1(a)

Size	Dimension A	PL finish - SF1		PM finish - SF4	
		Part #	Price/E	Part #	Price/E
¾" x ½"	4.00"	<b>T32W-075050PL</b>	<b>\$153.15</b>	<b>T32W-075050PM</b>	<b>\$180.90</b>
1" x ½"	4.50"	<b>T32W-100050PL</b>	<b>155.60</b>	<b>T32W-100050PM</b>	<b>183.60</b>
1" x ¾"	4.00"	<b>T32W-100075PL</b>	<b>155.60</b>	<b>T32W-100075PM</b>	<b>180.90</b>
1½" x ½"	5.50"	<b>T32W-150050PL</b>	<b>316.05</b>	<b>T32W-150050PM</b>	<b>361.70</b>
1½" x ¾"	5.00"	<b>T32W-150075PL</b>	<b>316.05</b>	<b>T32W-150075PM</b>	<b>361.70</b>
1½" x 1"	5.00"	<b>T32W-150100PL</b>	<b>156.85</b>	<b>T32W-150100PM</b>	<b>188.90</b>
2" x ½"	7.75"	<b>T32W-200050PL</b>	<b>348.60</b>	<b>T32W-200050PM</b>	<b>440.65</b>
2" x ¾"	7.25"	<b>T32W-200075PL</b>	<b>330.05</b>	<b>T32W-200075PM</b>	<b>422.00</b>
2" x 1"	7.25"	<b>T32W-200100PL</b>	<b>173.95</b>	<b>T32W-200100PM</b>	<b>237.65</b>
2" x 1½"	5.25"	<b>T32W-200150PL</b>	<b>134.75</b>	<b>T32W-200150PM</b>	<b>190.10</b>

## Clamp x Clamp Eccentric Reducers - T3214MP



BPE Table DT-4.1.3-3(a)

Size	Dimension A	PL finish - SF1		PM finish - SF4	
		Part #	Price/E	Part #	Price/E
¾" x ½"	2.000"	<b>T3214MP075050PL</b>	<b>\$204.70</b>	<b>T3214MP075050PM</b>	<b>\$273.30</b>
1" x ½"	2.500"	<b>T3214MP100050PL</b>	<b>245.60</b>	<b>T3214MP100050PM</b>	<b>273.30</b>
1" x ¾"	2.000"	<b>T3214MP100075PL</b>	<b>276.85</b>	<b>T3214MP100075PM</b>	<b>318.25</b>
1½" x ½"	3.500"	<b>T3214MP150050PL</b>	<b>384.65</b>	<b>T3214MP150050PM</b>	<b>407.05</b>
1½" x ¾"	3.000"	<b>T3214MP150075PL</b>	<b>384.65</b>	<b>T3214MP150075PM</b>	<b>407.05</b>
1½" x 1"	3.000"	<b>T3214MP150100PL</b>	<b>279.30</b>	<b>T3214MP150100PM</b>	<b>328.75</b>
2" x ½"	5.500"	<b>T3214MP200050PL</b>	<b>316.85</b>	<b>T3214MP200050PM</b>	<b>408.80</b>
2" x ¾"	5.000"	<b>T3214MP200075PL</b>	<b>300.25</b>	<b>T3214MP200075PM</b>	<b>392.15</b>
2" x 1"	5.000"	<b>T3214MP200100PL</b>	<b>358.85</b>	<b>T3214MP200100PM</b>	<b>411.95</b>
2" x 1½"	3.000"	<b>T3214MP200150PL</b>	<b>245.00</b>	<b>T3214MP200150PM</b>	<b>286.50</b>

PL Finish – SF1

OD = 32R<sub>a</sub> Mechanically Polished

ID = 20R<sub>a</sub> Mechanically Polished

PM Finish – SF4

OD = 32R<sub>a</sub> Mechanically Polished

ID = 15R<sub>a</sub> Mechanically Polished and Electropolished

# High Purity BioPharm Fittings



## Solid End Caps - T16AMP

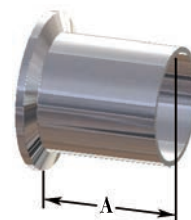
Size	Dimensions		PL finish - SF1		PM finish - SF4	
	A	B	Part #	Price/E	Part #	Price/E
1/2" - 3/4"	0.19"	1.00"	<b>T16AMP-050075PL</b>	<b>\$13.05</b>	<b>T16AMP-050075PM</b>	<b>\$24.10</b>
1" - 1 1/2"	0.25"	1.99"	<b>T16AMP-100150PL</b>	<b>11.85</b>	<b>T16AMP-100150PM</b>	<b>22.70</b>
2"	0.25"	2.52"	<b>T16AMP-200PL</b>	<b>16.60</b>	<b>T16AMP-200PM</b>	<b>30.70</b>
2 1/2"	0.25"	3.05"	<b>T16AMP-250PL</b>	<b>22.70</b>	<b>T16AMP-250PM</b>	<b>41.75</b>
3"	0.25"	3.58"	<b>T16AMP-300PL</b>	<b>35.30</b>	<b>T16AMP-300PM</b>	<b>55.55</b>
4"	0.31"	4.69"	<b>T16AMP-400PL</b>	<b>92.20</b>	<b>T16AMP-400PM</b>	<b>114.85</b>



BPE Table DT-4.1.5-2

## Auto Weld Ferrules - TL14AM7

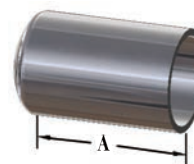
Size	Dimension A	PL finish - SF1		PM finish - SF4	
		Part #	Price/E	Part #	Price/E
1/2"	1.75"	<b>TL14AM7-050PL</b>	<b>\$20.35</b>	<b>TL14AM7-050PM</b>	<b>\$39.05</b>
3/4"	1.75"	<b>TL14AM7-075PL</b>	<b>20.35</b>	<b>TL14AM7-075PM</b>	<b>39.05</b>
1"	1.75"	<b>TL14AM7-100PL</b>	<b>25.35</b>	<b>TL14AM7-100PM</b>	<b>46.35</b>
1 1/2"	1.75"	<b>TL14AM7-150PL</b>	<b>27.15</b>	<b>TL14AM7-150PM</b>	<b>59.30</b>
2"	2.25"	<b>TL14AM7-200PL</b>	<b>35.85</b>	<b>TL14AM7-200PM</b>	<b>76.30</b>
2 1/2"	2.25"	<b>TL14AM7-250PL</b>	<b>55.95</b>	<b>TL14AM7-250PM</b>	<b>106.20</b>
3"	2.25"	<b>TL14AM7-300PL</b>	<b>68.90</b>	<b>TL14AM7-300PM</b>	<b>128.00</b>
4"	2.25"	<b>TL14AM7-400PL</b>	<b>132.70</b>	<b>TL14AM7-400PM</b>	<b>174.15</b>



BPE Table DT-4.1.4-1

## Weld Caps - T16W

Size	Dimension A	PL finish - SF1		PM finish - SF4	
		Part #	Price/E	Part #	Price/E
1/2"	1.50"	<b>T16W-050PL</b>	<b>\$45.70</b>	<b>T16W-050PM</b>	<b>\$61.35</b>
3/4"	1.50"	<b>T16W-075PL</b>	<b>43.10</b>	<b>T16W-075PM</b>	<b>59.00</b>
1"	1.50"	<b>T16W-100PL</b>	<b>41.95</b>	<b>T16W-100PM</b>	<b>57.30</b>
1 1/2"	1.50"	<b>T16W-150PL</b>	<b>53.40</b>	<b>T16W-150PM</b>	<b>82.70</b>
2"	1.50"	<b>T16W-200PL</b>	<b>70.35</b>	<b>T16W-200PM</b>	<b>90.80</b>



BPE Table DT-4.1.5-1


PL Finish – SF1  
 OD = 32R<sub>a</sub> Mechanically Polished  
 ID = 20R<sub>a</sub> Mechanically Polished

PM Finish – SF4  
 OD = 32R<sub>a</sub> Mechanically Polished  
 ID = 15R<sub>a</sub> Mechanically Polished and Electropolished



# ULC UL Factory Set Pressure Reducing (regulating) Valves

**Features:**

- true combination shut-off and pressure reducing valves
- 1½" reduces inlet pressure of 300 PSI (2069 kPa) or less to working pressures of **10** through **175 PSI** (69-1207 kPa); 2½" reduces inlet pressures of 400 PSI (2758 kPa) or less to working pressures of **20** through **175 PSI** (138-1207 kPa) under discharge or static conditions
- female x female valves have an open / closed indicator bonnet for confirmation of valve status
- valves are tamper resistant and automatic
- available with a tamper proof switch
- complete switch, with bracket and housing, available for field mounting, consult Dixon™ for price and availability
- all debris must be flushed from the system prior to being placed into service 
- other configurations are available, contact Dixon™ for additional information

**Specifications:**

- pressure reducing (regulating) valves are listed by:
  1. Underwriters Laboratories for Automatic Sprinkler Systems as floor or zone control valves
  2. Standpipe Systems, Class I, II and III
  3. Automatic Check Valve for Dual Riser Systems
  4. Approved by New York City Board of Standards and Appeals, approval # MEA 54-07-E
  5. Approved by City of Los Angeles and the City of San Francisco (ULC 2½")

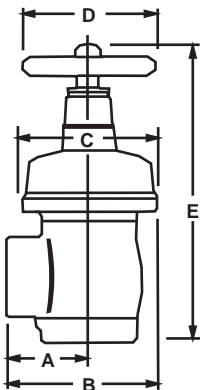


Inlet Female NPT	Outlet Male NST (NH)	Cast Brass Part #	Price/E
1½"	1½"	NAPRAV150F-15	\$720.00
		NAPRAV150F-20	720.00
		NAPRAV150F-25	720.00
		NAPRAV150F-30	720.00
		NAPRAV150F-35	720.00
2½"	2½"	NAPRAV250F-55	940.00
		NAPRAV250F-60	940.00
		NAPRAV250F-65	940.00
		NAPRAV250F-70	940.00
		NAPRAV250F-75	940.00
		NAPRAV250F-80	940.00
		NAPRAV250F-90	940.00



Inlet Female NPT	Outlet Female NPT	Cast Brass Part #	Price/E
1½"	1½"	NAPRAVF150-15	\$720.00
		NAPRAVF150-20	720.00
		NAPRAVF150-25	720.00
		NAPRAVF150-30	720.00
		NAPRAVF150-50	720.00
2½"	2½"	NAPRAVF250-55	940.00
		NAPRAVF250-60	940.00
		NAPRAVF250-65	940.00
		NAPRAVF250-70	940.00
		NAPRAVF250-75	940.00
		NAPRAVF250-80	940.00
		NAPRAVF250-85	940.00

**Dimensions**



Size	A	B	C	D	E closed	E open
1½"	2-7/32"	4-5/32"	3-7/8"	3-3/4"	9-25/64"	8-53/64"
2½"	3-7/32"	6-3/32"	5-3/4"	5-3/4"	11-3/8"	10-13/16"

P

# Factory Set Pressure Reducing (regulating) Valves



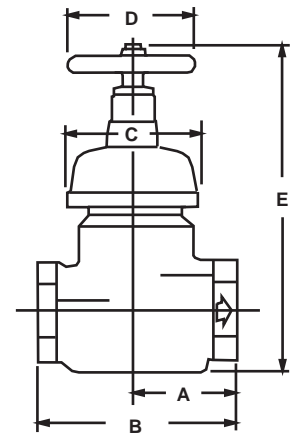
Inlet Female NPT	Outlet Female NPT	Cast Brass Part #	Price/E
2½"	2½"	<b>NAPRVF250-55</b>	<b>\$940.00</b>
		<b>NAPRVF250-60</b>	<b>940.00</b>
		<b>NAPRVF250-65</b>	<b>940.00</b>
		<b>NAPRVF250-70</b>	<b>940.00</b>
		<b>NAPRVF250-75</b>	<b>940.00</b>
		<b>NAPRVF250-80</b>	<b>940.00</b>
		<b>NAPRVF250-85</b>	<b>940.00</b>

Inlet Grooved	Outlet Grooved	Cast Brass Part #	Price/E
2½"	2½"	<b>NAPRVG250-55</b>	<b>\$940.00</b>
		<b>NAPRVG250-60</b>	<b>940.00</b>
		<b>NAPRVG250-65</b>	<b>940.00</b>
		<b>NAPRVG250-70</b>	<b>940.00</b>
		<b>NAPRVG250-75</b>	<b>940.00</b>
		<b>NAPRVG250-85</b>	<b>940.00</b>



### Dimensions

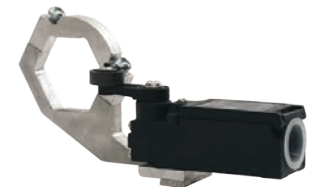
Size	Style	A	B	C	D	E closed	E open
2½"	NPT	3-7/8"	7-3/4"	5-3/4"	5-3/4"	12-3/4"	12-13/16"
2½"	grooved	4-3/8"	8-3/4"	5-3/4"	5-3/4"	12-3/4"	12-13/16"



## Accessories for Pressure Reducing Brass Valves

P

Description	Part #	Price/E
1½" tamper switch bracket kit (bonnet, nut, switch, bracket)	<b>4201901588</b>	<b>\$271.55</b>
2½" tamper switch bracket kit (bonnet, nut, switch, bracket)	<b>4201901587</b>	<b>307.40</b>
switch bracket only	<b>18-458-00017</b>	<b>52.95</b>
replacement handles for 1½" valves	<b>AV150-W</b>	<b>17.45</b>
replacement handles for 2½" valves	<b>46-030-00025</b>	<b>26.00</b>



**ULC UL** Factory Set Pressure Reducing (regulating) Valves

**Features:**

- (4) drilled and tapped bosses:
  - two on each side for upstream and downstream pressure monitoring
  - saves installation time and provides a cleaner appearance
- 2½" size reduces inlet pressures of **400 PSI** (2758 kPa) or less to desired working pressures from **20** through **175 PSI** (138-1207 kPa) under discharge or static conditions
- tamper switch available

angle valves



grooved x grooved

Inlet Grooved	Outlet Grooved	Cast Brass Part #	Price/E
2½"	2½"	<b>NAPRAVGT250-55</b>	<b>\$1181.10</b>
		<b>NAPRAVGT250-60</b>	<b>1181.10</b>
		<b>NAPRAVGT250-65</b>	<b>1181.10</b>
		<b>NAPRAVGT250-70</b>	<b>1181.10</b>
		<b>NAPRAVGT250-75</b>	<b>1181.10</b>
		<b>NAPRAVGT250-80</b>	<b>1181.10</b>
		<b>NAPRAVGT250-85</b>	<b>1181.10</b>
		<b>NAPRAVGT250-95</b>	<b>1181.10</b>



grooved x female

Inlet Grooved	Outlet Female NPT	Cast Brass Part #	Price/E
2½"	2½"	<b>NAPRAVGT250-55</b>	<b>\$1181.10</b>
		<b>NAPRAVGT250-60</b>	<b>1181.10</b>
		<b>NAPRAVGT250-65</b>	<b>1181.10</b>
		<b>NAPRAVGT250-70</b>	<b>1181.10</b>
		<b>NAPRAVGT250-75</b>	<b>1181.10</b>
		<b>NAPRAVGT250-80</b>	<b>1181.10</b>
		<b>NAPRAVGT250-85</b>	<b>1181.10</b>
		<b>NAPRAVGT250-95</b>	<b>1181.10</b>

globe valves

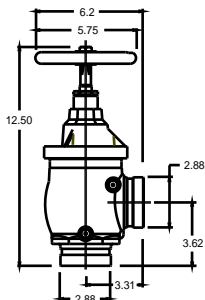


female x female

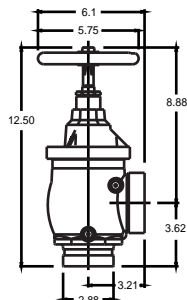
Inlet Female NPT	Outlet Female NPT	Cast Brass Part #	Price/E
2½"	2½"	<b>NAPRVFT250-55</b>	<b>\$1181.10</b>
		<b>NAPRVFT250-60</b>	<b>1181.10</b>
		<b>NAPRVFT250-65</b>	<b>1181.10</b>
		<b>NAPRVFT250-70</b>	<b>1181.10</b>
		<b>NAPRVFT250-75</b>	<b>1181.10</b>
		<b>NAPRVFT250-80</b>	<b>1181.10</b>
		<b>NAPRVFT250-85</b>	<b>1181.10</b>
		<b>NAPRVFT250-95</b>	<b>1181.10</b>

Inlet Grooved	Outlet Grooved	Cast Brass Part #	Price/E
2½"	2½"	<b>NAPRVGT250-55</b>	<b>\$1181.10</b>
		<b>NAPRVGT250-60</b>	<b>1181.10</b>
		<b>NAPRVGT250-65</b>	<b>1181.10</b>
		<b>NAPRVGT250-70</b>	<b>1181.10</b>
		<b>NAPRVGT250-75</b>	<b>1181.10</b>
		<b>NAPRVGT250-80</b>	<b>1181.10</b>
		<b>NAPRVGT250-85</b>	<b>1181.10</b>
		<b>NAPRVGT250-95</b>	<b>1181.10</b>

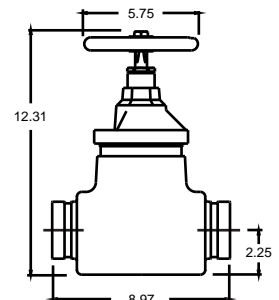
Dimensions



grooved x grooved angle valve



grooved x female angle valve



grooved x grooved globe valve

# Field Adjustable Pressure Reducing Valves



**Features:**

- U/L listed
- allows flexibility during installation with the ability to adjust settings once installed as hydraulic conditions change
- used in applications where the inlet pressure is greater than 175 PSI
- ¼" NPT gauge ports - both sides, drilled and tapped standard
- ⅜" adjusting rod included
- available tamper switch (**42-019-01587**), consult Dixon™



uses ⅜" rod:  
<30 ft lbs required to adjust



### angle valves <sup>1</sup>

Inlet	Outlet	Cast Brass Part #	Price/E
2½" FNPT	2½" MNST	<b>FAPRAV250F</b>	<b>\$1820.55</b>
2½" FNPT	2½" FNPT	<b>FAPRAVF250</b>	<b>1820.55</b>
2½" groove	2½" MNST	<b>FAPRAVG250F</b>	<b>1820.55</b>
2½" groove	2½" groove	<b>FAPRAVG250G</b>	<b>1820.55</b>

### straight valves <sup>2</sup>

Inlet	Outlet	Cast Brass Part #	Price/E
2½" groove	2½" groove	<b>FAPRVG250</b>	<b>\$1820.55</b>
2½" FNPT	2½" FNPT	<b>FAPRVF250</b>	<b>1820.55</b>

### Replacement Parts

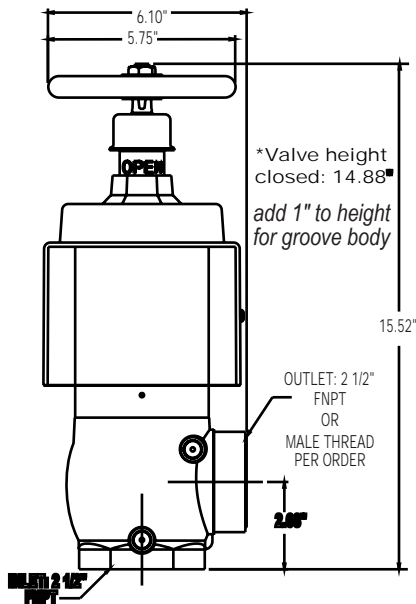
Description	Cast Iron Part #	Price/E
handwheel	<b>46-030-00025</b>	<b>\$26.00</b>



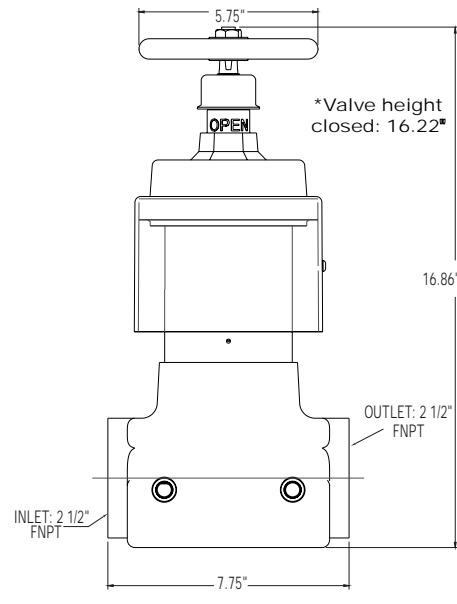
**Setting Instructions:**

1. Determine desired outlet pressure for known inlet pressure.
2. Remove the tamper-resistant screw and slide the plastic cover up to access the adjusting nut.
3. Use a ⅜" diameter rod in any one of the 6 holes in the adjusting nut and rotate counter clockwise to increase the pressure at the outlet.
4. Check valve under pressure under static and under the anticipated flowing conditions to ascertain that the setting produces the expected results.

### Dimensions



angle valve <sup>1</sup>



add 2" to width for groove body  
straight valve <sup>2</sup>





## UL ULC Global Adjustable Pressure Restricting Angle Valves



**Application:**

- used when flowing water pressure needs to be controlled

**Features:**

- preset orifices restrict the volume of water thereby lowering the pressure of the flowing water; NFPA requires restricting valves where inlet pressure exceeds 100 PSI
- restricting valve has no effect on the static pressure of a system
- restricting device can be manually by passed if required by opening the valve fully: pull the pin allowing the yoke to fall back from the valve stem which allows valve to be fully opened, when valve needs to be restricted again, slide the yoke back into place to be NFPA compliant

Inlet Female NPT	Outlet Male NST (NH)	Cast Brass Part #	Price/E
1½"	1½"	<b>AVAPR150F-I</b>	<b>\$126.70</b>
2½"	2½"	<b>AVAPR250F-I</b>	<b>268.35</b>

Inlet Female NPT	Outlet Female NPT	Cast Brass Part #	Price/E
1½"	1½"	<b>AVAPRF150-I</b>	<b>\$126.70</b>
2½"	2½"	<b>AVAPRF250-I</b>	<b>268.35</b>

## UL ULC Domestic Adjustable Pressure Restricting Angle Valves



**Application:**

- used when flowing water pressure needs to be controlled

**Features:**

- preset orifices restrict the volume of water thereby lowering the pressure of the flowing water; NFPA requires restricting valves where inlet pressure exceeds 100 PSI
- restricting valve has no effect on the static pressure of a system
- can be manually by-passed if required by opening the valve fully, this is accomplished by breaking the breakable link, which allows the valve stem to rise to the full open position
- breakable link also serves as an indication of valve condition and status; if valve is opened without breaking the link it will resume its previous position and no resetting is necessary
- restricts inlet pressure from 70 PSI up to a maximum of 175 PSI
- restricts down to outlet pressures of 65, 80 or 100 PSI, outlet pressures may be set below 65 PSI when authorized by the local authority having jurisdiction
- restricts only under flow conditions
- setting charts are packed with valve
- U/L listed
- New York City Board of Standards and Appeals, approval # MEA 54-07-E
- maximum operating pressure: up to **175 PSI**
- aluminum handwheel
- other configurations are available, contact Dixon™ for additional information

Inlet Female NPT	Outlet Male NST (NH)	Cast Brass Part #	Price/E
1½"	1½"	<b>AVAPR150F</b>	<b>\$568.95</b>
2½"	2½"	<b>AVAPR250F</b>	<b>802.85</b>

Inlet Female NPT	Outlet Female NPT	Cast Brass Part #	Price/E
1½"	1½"	<b>AVAPRF150</b>	<b>\$576.70</b>
2½"	2½"	<b>AVAPRF250</b>	<b>787.40</b>


P

## Adjustable Pressure Restricting Device

**Features:**

- for installation on Class I or Class III standpipe system hose outlets
- device restricts pressure in the piping system to such a degree that hose lines can be handled by persons untrained in the handling of heavy fire streams
- New York City Board of Standards and Appeals, approval # MEA 54-07-E
- 2½" U/L listed
- working pressure: **175 PSI** at 70°F (21°C)



Female Thread	Male Thread	Cast Brass Part #	Price/E
1½" NST (NH)	1½" NST (NH)	<b>APRD150F</b>	<b>\$350.00</b>
2½" NST (NH)	2½" NST (NH)	<b>APRD250F</b>	<b>397.00</b>
2½" NYC	2½" NYC	<b>APRD250NYC</b>	<b>397.00</b> 

## Domestic Cast Angle Hose Valves



**Features:**

- U/L listed and FM approved
- aluminum hand wheel
- working pressure: **300 PSI** at 70°F (21°C)



Inlet Female NPT	Outlet Male Thread	Cast Brass Part #	Price/E
1½"	1½" NST (NH)	<b>AV150</b>	<b>\$300.00</b>
	1½" NYFD	<b>AV150NYFD</b> <sup>1</sup>	<b>330.00</b>
	1½" NPSH	<b>AV150S</b>	<b>316.75</b>
	1½" NPT	<b>AV150T</b>	<b>331.45</b>
2½"	2½" NST (NH)	<b>AV250</b>	<b>473.65</b>
	2½" NYC	<b>AV250NYC</b> <sup>1</sup>	<b>473.65</b>
	2½" NYFD	<b>AV250NYFD</b> <sup>1</sup>	<b>473.65</b>
	2½" NPSH	<b>AV250S</b>	<b>473.65</b>

<sup>1</sup> supplied with red hand wheel



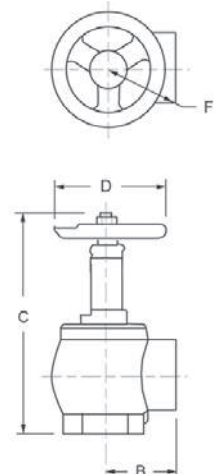
Inlet Female NPT	Outlet Female NPT	Cast Brass Part #	Price/E
1½"	1½"	<b>AVF150</b>	<b>\$300.00</b>
2½"	2½"	<b>AVF250</b>	<b>473.65</b>

### Replacement Parts

Description	Part #	Price/E
aluminum handwheel for 1½" valve	<b>AV150-W</b>	<b>\$17.45</b>
aluminum handwheel for 2½" valve	<b>AV250-W</b>	<b>26.00</b>
handwheel nut for 1½" valve	<b>AV150-N</b>	<b>1.55</b>
handwheel nut for 2½" valve	<b>AV250-N</b>	<b>1.50</b>
valve seal rubber for 1½" valve	<b>AV150-RBR</b>	<b>17.80</b>
valve seal rubber for 2½" valve	<b>AV250-RBR</b>	<b>18.70</b>

### Dimensions

Size	A	B	C closed	C open	D	F
1½"	2-11/64"	2-7/32"	6-5/8"	7-21/32"	3-3/4"	2-13/16"
2½"	3-3/16"	3-3/16"	9-1/4"	11"	5"	3-19/32"





# Global Cast Angle Valves

## Female Inlet



**Features:**

- NPT inlet thread only
- aluminum handwheel
- working pressure: **300 PSI** at 70°F (21°C)
- New York City Board of Standards and Appeals, approval # MEA 54-07-E
- available finishes:  
 cast (standard)  
 polished: -P  
 chrome: -C  
 minimum quantity for special thread, consult Dixon™

Inlet Female NPT	Outlet	Cast Yellow DZR Brass Part #	Price/E
1½"	1½" male NST (NH)	<b>AV150-I</b>	<b>\$108.80</b>
2½"	2½" male NST (NH)	<b>AV250-I</b>	<b>222.00</b>
<b>NEW</b> 2½"	2½" MNYFD	<b>AV250NYFD-I</b>	<b>222.00</b>

## Grooved Inlet



Inlet Grooved	Outlet Male NST (NH)	Cast Yellow DZR Brass Part #	Price/E
2½"	2½"	<b>AVG250F-I</b>	<b>\$240.70</b>

Inlet Grooved	Outlet Female NPT	Cast Yellow DZR Brass Part #	Price/E
2½"	2½"	<b>AVGF250-I</b>	<b>\$240.70</b>

## Double Female

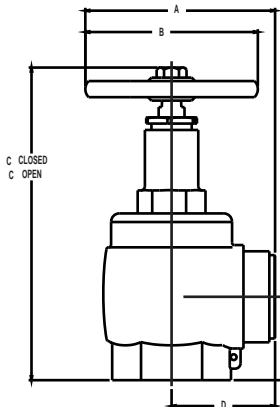
**Features:**

- NPT inlet and outlet only
- aluminum handwheel
- working pressure: **300 PSI** at 70°F (21°C)
- New York City Board of Standards and Appeals, approval # MEA 54-07-E
- available finish:  
 cast (standard)  
 polished = -P  
 chrome = -C



Inlet Female NPT	Outlet Female NPT	Cast Yellow DZR Brass Part #	Price/E
1½"	1½"	<b>AVF150-I</b>	<b>\$108.80</b>
2½"	2½"	<b>AVF250-I</b>	<b>222.00</b>

### Dimensions



Size	A	B	C (closed)	C (open)	D	E	Wt. in Lbs.
1½"	4.13"	3.75"	6.80"	7.78"	2.25"	1.81"	4.4
2½"	5.69"	5.00"	9.00"	10.72"	3.19"	2.59"	9.5

# Global Forged Angle Hose Valves



**Features:**

- to be used with a fire hose rack assembly, or as a fire department outlet connection
- U/L listed and FM approved
- red steel handwheel
- maximum operating pressure: **300 PSI** at 70°F (21°C)
- polished or chrome plated parts with other outlet threads are also available, consult Dixon™ for information

**Female x Male**

Inlet Female NPT	Outlet Male Thread	Forged Brass Part #	Price/E
1½"	1½" NST (NH)	<b>AV151</b>	<b>\$174.05</b>
2½"	2½" NST (NH)	<b>AV251</b>	<b>302.75</b>
	2½" NYC	<b>AV251NYC</b>	<b>302.75</b>
	2½" NYFD	<b>AV251NYFD</b>	<b>302.75</b>
	3" NST	<b>AV2531</b>	<b>414.00</b>



**Female x Female**

Inlet Female NPT	Outlet Female NPT	Forged Brass Part #	Price/E
1½"	1½"	<b>AVF151</b>	<b>\$174.05</b>
2½"	2½"	<b>AVF251</b>	<b>302.75</b>

**Replacement Parts**

Description	Part #	Price/E
handwheel for 1½" valve	<b>AV151-WR</b>	<b>\$32.90</b>
handwheel for 2½" valve	<b>AV251-WR</b>	<b>36.35</b>
handwheel nut for 1½" valve	<b>AV151-N</b>	<b>1.40</b>
handwheel nut for 2½" valve	<b>AV251-N</b>	<b>1.35</b>
valve seal rubber for 1½" valve	<b>AV151-RBR</b>	<b>16.95</b>
valve seal rubber for 2½" valve	<b>AV251-RBR</b>	<b>15.15</b>



# 500# Angle Hose Valves



**Applications:**

- Typical applications are in fire department, gravity and pressure tank connections, test connections, and public water supplies to sprinkler and standpipe systems; designed and approved to manage 500 PSI pressures in piping systems where it is necessary to access the system for a fire hose connection.

**Features:**

- red handwheel
- FM approved
- New York City Board of Standards and Appeals, approval # MEA 54-07-E
- maximum operating pressure: **500 PSI** at 70°F (21°C)

Inlet Female NPT	Outlet Male Thread	Cast Brass Part #	Price/E
2½"	2½" NST (NH)	<b>AV5-250F</b>	<b>\$711.25</b>
2½"	2½" NYFD	<b>AV5-250NYFD</b>	<b>711.25</b>

Inlet Female NPT	Outlet Female NPT	Cast Brass Part #	Price/E
2½"	2½"	<b>AVF5-250</b>	<b>\$711.25</b>



## Male x Grooved Adapters with Internal Lugs



**Feature:**

- allows the conversion of a female NPT valve inlet to connect to grooved piping

Male NPT	Grooved Size	Length	Brass Part #	Price
2½"	2½"	2-3/64"	<b>VMIL250</b>	<b>\$41.70</b>
4"	4"	2-3/64"	<b>VMIL400</b>	<b>66.50</b>

## Male x Male Adapters with Internal Lugs



**Feature:**

- allows the conversion of a female NPT valve inlet to connect to hose

Male NPT	Male NH (NST)	Length	Brass Part #	Price
2½"	2½"	1-29/64"	<b>DMIL250F</b>	<b>\$36.10</b>
2½"	3"	1-31/64"	<b>DMIL2530F</b>	<b>45.25</b>



- All adapters are made to approved Dixon™ specifications.

## Straight Globe Valves

**Features:**

- ideal for wet and combination systems
- used with a fire hose rack assembly, or as a fire department outlet connection
- aluminum handwheel
- maximum operating pressure: **300 PSI** at 70°F (21°C)



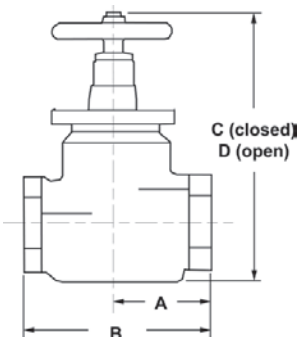
**Female x Male**

Inlet Female	Outlet Male	Cast Brass Part #	Price/E
1½" NPT	1½" NST (NH)	<b>SGV150F</b>	<b>\$374.05</b>
2½" NPT	2½" NST (NH)	<b>SGV250F</b>	<b>566.70</b>

**Female x Female**

Inlet Female NPT	Outlet Female NPT	Cast Brass Part #	Price/E
1½"	1½"	<b>SGVF150</b>	<b>\$448.20</b>
2½"	2½"	<b>SGVF250</b>	<b>635.35</b>

**Dimensions**



Size	A	B	C (closed)	D (open)
1½"	2-3/8"	4-3/4"	7-1/4"	8"
2½"	3-9/32"	6-9/16"	7-3/8"	8-1/8"

## Straight Ball Drip Valves

### Application:

- designed to drain the low point of a system this valve should be placed between a fire department connection and a swing check valve

### Features:

- will seal automatically under pressure
- install horizontally
- working pressure: **175 PSI** at 70°F (21°C)

Male NPT	Male NPT	Brass Part #	Price/E
1/2"	1/2"	<b>SBDV50</b>	<b>\$26.60</b>
3/4"	3/4"	<b>SBDV75</b>	<b>30.00</b>

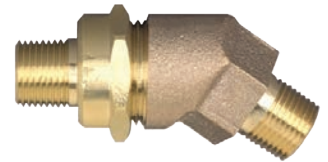


## Angled Ball Drip Valves

### Features:

- seals automatically under pressure
- installed horizontally, the ball seats at approximately 8-10 PSI
- working pressure: **175 PSI** at 70°F (21°C)

Male NPT	Male NPT	Brass Part #	Price/E
1/2"	1/2"	<b>ASBDV50</b>	<b>\$161.00</b>
3/4"	3/4"	<b>ASBDV75</b>	<b>161.00</b>



## Groove x Groove Check Valves

### Applications:

- Used in Fire Protection Systems to allow water flow in one direction only. Typical applications include: connections between public water supplies and private fire services systems; discharges from fire pumps; gravity tank connections; fire department pumper connections

### Features:

- supplied with 1/4" and 1/2" tapped NPT ports below the clapper and a 1/4" tapped NPT port above the clapper
- supplied with a 1 1/2" NPT tapped boss below the clapper, boss above the clapper may be tapped for the addition of a 1/2" NPT drain
- for horizontal and vertical installation
- U/L listed
- maximum operating pressure: **250 PSI** working pressure at 70°F (21°C)

Description	Brass Part #	Price/E
4" groove x 4" groove	<b>SCVV400</b>	<b>\$364.90</b>



P

## Chicago Pattern Valves

### Features:

- aluminum handwheel
- maximum operating pressure: **175 PSI** at 70°F (21°C)

Inlet Male NPT	Outlet Male	Cast Brass Part #	Price/E
1 1/2"	1 1/2" NST (NH)	<b>CPV150F</b>	<b>\$363.65</b>
1 1/2"	1 1/2" NPSH	<b>CPV150S</b>	<b>379.35</b>





## Non-rising Stem Wedge Disc Gate Valves



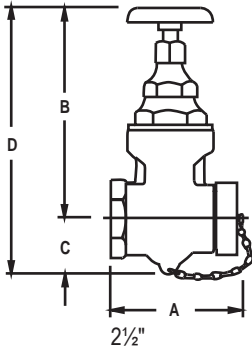
**Features:**

- red iron handwheel, with brass cap and chain
- cap not included on the NYFD threaded valve and special threaded valves
- solid wedge disc with tapered seats
- 2½" U/L listed and FM approved
- FM approved
- working pressure: **300 PSI** at 70°F (21°C)
- not recommended for wet standpipe systems, use AV250 (18-157) for this purpose, see page 545
- other configurations are available, contact Dixon™ for additional information



Inlet Female NPT	Outlet Male Thread	U/L	Cast Brass Part #	Price
1½"	1½" NST (NH)	no	<b>WDGV150F</b>	<b>\$418.00</b>
2½"	2½" NST (NH)	yes	<b>WDGV250F</b>	<b>888.00</b>
2½"	2½" NYFD	yes	<b>WDGV250NYFD</b>	<b>888.00</b>

**Dimensions**



Size	A	B	C	D
1½"	3-49/64"	5-5/8"	1-1/8"	6-3/8"
2½"	6"	10-3/4"	2-1/2"	13-1/4"



## Global Non-rising Stem Wedge Disc Gate Valves

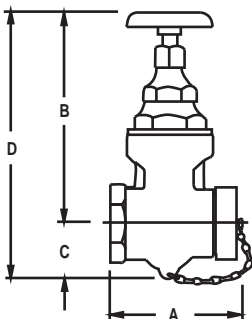


**Features:**

- working pressure: **300 PSI** (2069 kPa)
- custom male thread available
- non-rising stem
- cast brass with solid wedge disc and tapered seats
- red iron wheel handle with cap and chain (cap not supplied on non-standard threads)
- alloy = DZR brass
- furnished with 2½" NST brass cap and chain
- available finish:
  - cast (standard)
  - polished trim - P
  - cast chrome - RC
  - polished chrome trim - C

Inlet Female NPT	Outlet Male NST	U/L	Cast DZR Brass Part #	Price
2½"	2½"	no	<b>GWDGV250F</b>	<b>\$280.40</b>

**Dimensions**



Size	A	B	C	D
2½"	5"	7¾"	2½"	10"

P

## Non-rising Stem Wedge Disc Gate Valves



**Applications:**

- for use on standpipes, fire pumps and hydrants

**Features:**

- satin finish
- red handwheel
- solid wedge disc with tapered seats
- straightway pattern
- U/L listed and FM approved
- working pressure: **300 PSI** at 70°F (21°C)



Inlet Female NPT	Outlet Male NST (NH)	Forged Brass Part #	Price
2½"	2½"	<b>WDGV251F</b>	<b>\$505.40</b>
3"	2½"	<b>WDGV3025F</b>	<b>610.75</b>

## Wedge Disc Gate Valves - Rising Stem

**Features:**

- red iron handwheel, with brass cap and chain
- solid wedge disc with tapered seats
- not recommended for wet standpipe systems, use AV250 (18-157) for this purpose, see page 545
- working pressure: see chart below
- other configurations are available, contact Dixon™ for additional information

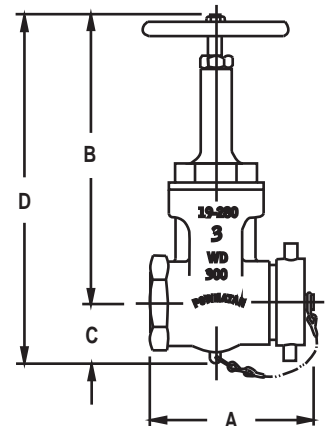


Inlet Female NPT	Outlet Male	WP PSI	Cast Brass Part #	Price
2½"	2½" NST (NH)	<b>200</b>	<b>RWDGV250F</b>	<b>\$938.25</b>
3"	2½" NST (NH)	<b>300</b>	<b>RWDGV3025F<sup>1</sup></b>	<b>1032.50</b>

<sup>1</sup> U/L listed

### Dimensions

Size	A	B closed	C	D closed	D open
2½"	6-1/2"	11	2-1/2"	13-1/2"	16-1/4"
3" x 2½"	6-3/16"	11	2-1/2"	13-1/2"	16-1/4"



P



## Plain Wye with Pin Lugs


**Feature:**

- divides one stream into two
- other configurations are available, contact Dixon™ for additional information

Inlet Female	(2) Outlets Male	Cast Brass Part #	Price
1½" NST (NH)	1½" NST (NH)	<b>PW15F15F</b>	<b>\$125.00</b>
1½" NPSH	1½" NPSH	<b>PW15S15S</b>	<b>125.00</b>
2½" NST (NH)	1½" NST (NH)	<b>PW25F15F</b>	<b>190.00</b>
2½" NST (NH)	2½" NST (NH)	<b>PW25F25F</b>	<b>225.00</b>

## Hydrant Diffusers


**Features:**

- powder coated red finish
- brass swivels with full 360° rotation
- flow can be directed to your desired position while flushing the hydrant
- specially designed outlet reduces high velocity discharge to a slower diffused pattern protecting landscape and traffic

Female NST (NH)	Carbon Steel Part #	Price
2½"	<b>HD250F</b>	<b>\$1492.00</b>
4"	<b>HD400F</b>	<b>4614.55</b>
4½"	<b>HD450F</b>	<b>4000.00</b>

## Single Hydrant Gate Valves with Handwheel


**Application:**

- protects fire hydrants from damage that can occur if they are used for throttling

**Features:**

- pin lug swivel, non-rising stem, red handwheel
- metal to metal seal
- U/L listed
- for use on hydrants, standpipes, and fire pumps
- maximum operating pressure: **300 PSI** (water only) at 70°F (21°C)

Inlet Female	Outlet Male	Forged Brass Part #	Price
2½" NST (NH)	2½" NST (NH)	<b>HGVW250F</b>	<b>\$643.65</b>
2½" NYFD	2½" NYFD	<b>HGVW250NYFD</b>	<b>680.00</b>

### Replacement Part

Description	Part #	Price
handwheel	<b>HGVW250-W</b>	<b>\$50.15</b>



P

## Single Hydrant Gate Valves with Hand Wheel

**Application:**

- used to throttle the flow from a fire hydrant preventing damage to the hydrant

**Features:**

- O-ring seal
- U/L listed
- for use on standpipes and fire pumps where U/L listing is required
- maximum operating pressure: **175 PSI** (water only) at 70°F (21°C)
- other configurations are available, contact Dixon™ for additional information

Inlet Female	Outlet Male	Cast Red Brass Part #	Price
2½" NST (NH)	2½" NST (NH)	<b>UHGV250F</b>	<b>\$450.00</b>
2½" NST (NH)	2½" NST (NH)	<b>UHGV250F-D</b>	<b>\$595.70</b>

**Replacement Part**

Description	Part #	Price
handwheel	<b>UHGV250-W</b>	<b>\$23.00</b>



## Single Hydrant Gate Valves with Speed Handle

**Application:**

- used to throttle the flow from a fire hydrant preventing damage to the hydrant

**Features:**

- pin lug swivel, non-rising stem, aluminum speed handle
- rubber seal
- for use on hydrants, standpipes, and fire pumps
- maximum operating pressure: **175 PSI** (water only) at 70°F (21°C)
- other configurations are available, contact Dixon™ for additional information

Inlet Female	Outlet Male	Cast Brass Part #	Price
2½" NST (NH)	2½" NST (NH)	<b>HGV250F</b>	<b>\$318.00</b>
2½" NST (NH)	2½" NST (NH)	<b>HGV250F-D</b>	<b>\$499.00</b>
2½" NST (NH)	2½" NPSH	<b>HGV250</b>	<b>\$318.00</b>

**Replacement Part**

Description	Aluminum Part #	Price
speed handle	<b>HGV250-H</b>	<b>\$18.00</b>



P



## Sprinkler Hose Valve

**Features:**

- aluminum wheel
- U/L listed and FM approved for automatic sprinkler and standpipe systems
- working pressure: **175 PSI** (water only) at 70°F (21°C)

Inlet Male NPT	Outlet Male NST (NH)	Cast Brass Part #	Price/E
1"	1½"	<b>ASHV1015F</b>	<b>\$373.25</b>

## Push Pull Drain Valve

**Features:**

- direct mount
- 2½" handle length

Inlet	Outlet	Brass Part #	Price
¾" FNPT	¾" FNPT	<b>PPDV75</b>	<b>\$88.00</b>

## Automatic Drain Vent Valve

**Features:**

- attaches to the hose end of a hose rack nipple keeping the hose free of moisture by draining water from a leaky valve; when the valve is opened for use a spring valve closes the drain and directs all water through the hose
- other threads and finishes are available, consult Dixon™ for more information

Female NH (NST)	Male NH (NST)	Working Pressure (PSI)	Cast Brass Part #	Price
¾" FNPT	¾" FNPT	<b>175</b>	<b>ADV150F</b>	<b>\$427.45</b>

P



## Test and Drain Valves


**Features:**

- valve combines the function of testing and draining the system
- chrome plated ball with PTFE seats
- U/L listed and FM approved

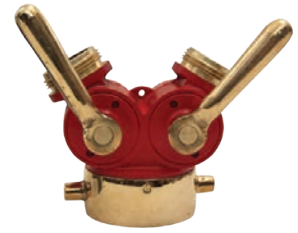
NPT Thread	Port Orifice	Forged Brass Part #	Price
1"	½"	<b>TDV100</b>	<b>\$416.80</b>
1¼"	½"	<b>TDV125</b>	<b>416.80</b>
2"	½"	<b>TDV200</b>	<b>675.15</b>

## ¼ Turn Plug Type Wye Valves

**Features:**

- pin lug swivel
- maximum operating pressure: **175 PSI** (water only) at 70°F (21°C)
- not recommended for charged pre-connected hose 

Inlet Female NST (NH)	(2) Outlets Male	Cast Brass Part #	Price/E
2½"	1½" NST (NH)	<b>S6175</b>	<b>\$748.75</b>
2½"	1½" NPSH	<b>S6175S</b>	<b>813.00</b>



## ¼ Turn Ball Type Wye Valves

**Features:**

- rocker lug swivel
- operates easily under high pressure
- handles are not field replaceable
- maximum operating pressure: **175 PSI** (water only) at 70°F (21°C)

**Specification:**

- meets NSN specifications # 4210-00-255-0234

Inlet Female	(2) Outlets Male	Cast Brass Part #	Price/E
2½" NST (NH)	1½" NPSH	<b>S7337S</b>	<b>\$1084.00</b>



## Full Flow ¼ Turn Ball Type Wye Valves

**Features:**

- recommended for charged pre-connected hose lines
- pin lug swivel
- maximum operating pressure: **175 PSI** (water only) at 70°F (21°C)
- other configurations are available, contact Dixon™ for additional information

Inlet Female Swivel	(2) Outlets Male	Cast Brass Part #	Price
1½" NPSH	1½" NPSH	<b>S7100-15S</b>	<b>\$298.00</b>
1½" NST (NH)	1½" NST (NH)	<b>S7100-15</b>	<b>298.00</b>
2½" NST (NH)	1½" NST (NH)	<b>S7100</b>	<b>298.00</b>



P

## Leader Line ¼ Turn Ball Type Wye Valve

**Features:**

- body painted red with chrome trim
- maximum operating pressure: **400 PSI** (water only) at 70°F (21°C)

Inlet Female NST (NH)	(2) Outlets Male NST (NH)	Brass Part #	Price
2½"	1½"	<b>LLBV2515F</b>	<b>\$934.25</b>



## Dixon™ Hydrant Gate Valves with Speed Handle


**Application:**

- protects fire hydrants from damage that can occur if they are used for throttling

**Features:**

- full 2½" waterway
- anodized throughout - minimum thickness 0.001"
- test pressure: **250 PSI**, working pressure: **100 PSI** at 70°F (21°C)

Inlet Female Swivel	Outlet Male	Aluminum Alloy, 356-T6 Part #	Price
2½" NPSH	2½" NPSH	<b>AHGV250</b>	<b>\$656.25</b>
2½" NST (NH)	2½" NST (NH)	<b>AHGV250F</b>	<b>656.25</b>

### Replacement Parts



handwheel and knob

Description	Part #	Price
handwheel and knob	<b>HGV-HDWHL</b>	<b>\$48.00</b>
knob only	<b>HGV-KNOB</b>	<b>14.00</b>

## Global Hydrant Gate Valves with Speed Handle


**Application:**

- protects fire hydrants from damage that can occur if they are used for throttling

**Features:**

- pin lug swivel, non-rising stem, aluminum speed handle
- non-metallic seal
- maximum operating pressure: **175 PSI** (water only) at 70°F (21°C)

Inlet Female NST (NH)	Outlet Male NST (NH)	Aluminum Part #	Price
2½"	2½"	<b>AHGV250F-I</b>	<b>\$394.30</b>

### Replacement Part



Description	Aluminum Part #	Price
speed handle	<b>AHGV250F-H</b>	<b>\$68.75</b>

P

## Dixon™ Large Diameter (LDH) Gate Valves

### Application:

- used on the suction intake and discharge sides of a pumper or on a hydrant

### Features:

- 30° elbow needs only 8 easy turns to open and close
- non-rising stem, with an air bleed off
- finish anodized throughout - minimum thickness 0.001"
- maximum operating pressure: **280 PSI** at 70°F (21°C), without relief valve
- 4½" minimum waterway

### Storz x Storz

Inlet Storz	Outlet Storz	Alum. Alloy, 356-T6 Part #	Price	Length	Width	Height
4"	4"	<b>SGV440</b>	<b>\$2190.80</b>	9"	6¼"	19½"
4"	5"	<b>SGV450</b>	<b>2468.20</b>	9"	7¾"	19½"
5"	4"	<b>SGV540</b>	<b>2503.35</b>	9"	7¾"	19½"
5"	5"	<b>SGV550</b>	<b>2375.65</b>	9"	7¾"	19½"

- all measurements include handles



### Storz x Storz 30° with PRV

Inlet Storz	Outlet Storz	Alum. Alloy, 356-T6 Part #	Price	Length	Width	Height
4"	4"	<b>SGV30-440</b>	<b>\$2253.10</b>	9"	6¼"	20.0"
4"	5"	<b>SGV30-450</b>	<b>2572.55</b>	9"	7¾"	20.0"
5"	4"	<b>SGV30-540</b>	<b>2607.70</b>	9"	7¾"	20.0"
5"	5"	<b>SGV30-550</b>	<b>2705.90</b>	9"	7¾"	20.0"

- all measurements include handles



### Storz x Female Swivel

Inlet Storz	Outlet Female NST Swivel	Alum. Alloy, 356-T6 Part #	Price	Length	Width	Height
4"	4"	<b>FSGV440F</b>	<b>\$2217.55</b>	9"	6"	19½"
4"	4½"	<b>FSGV445F</b>	<b>2222.40</b>	9"	6½"	19½"
4"	5"	<b>FSGV450F</b>	<b>2344.40</b>	9"	7"	19½"
4"	6"	<b>FSGV460F</b>	<b>2350.80</b>	9"	8"	19½"
5"	4"	<b>FSGV540F</b>	<b>2342.95</b>	9"	6"	19½"
5"	4½"	<b>FSGV545F</b>	<b>2347.75</b>	9"	6½"	19½"
5"	5"	<b>FSGV550F</b>	<b>2469.75</b>	9"	7"	19½"
5"	6"	<b>FSGV560F</b>	<b>2392.90</b>	9"	8"	19½"

- all measurements include handles



P

## Dixon™ Large Diameter (LDH) Gate Valves

## Female x Male



Inlet Male	Outlet Female NST Swivel	Part #	Price	Length	Width	Height
4"	4"	<b>FMGV40F40F</b>	<b>\$2066.60</b>	9"	6¼"	19½"
4"	4½"	<b>FMGV40F45F</b>	<b>2071.40</b>	9"	6½"	19½"
4"	5"	<b>FMGV40F50F</b>	<b>2193.45</b>	9"	7¾"	19½"
4"	6"	<b>FMGV40F60F</b>	<b>2199.85</b>	9"	7¾"	19½"
4½"	4"	<b>FMGV45F40F</b>	<b>2107.05</b>	9"	7¾"	19½"
4½"	4½"	<b>FMGV45F45F</b>	<b>2110.55</b>	9"	7¾"	19½"
4½"	5"	<b>FMGV45F50F</b>	<b>2232.85</b>	9"	7¾"	19½"
4½"	6"	<b>FMGV45F60F</b>	<b>2238.20</b>	9"	7¾"	19½"
5"	4"	<b>FMGV50F40F</b>	<b>2068.95</b>	9"	7¾"	19½"
5"	4½"	<b>FMGV50F45F</b>	<b>2073.75</b>	9"	7¾"	19½"
5"	5"	<b>FMGV50F50F</b>	<b>2195.80</b>	9"	7¾"	19½"
5"	6"	<b>FMGV50F60F</b>	<b>2202.20</b>	9"	7¾"	19½"
6"	6"	<b>FMGV60F60F</b>	<b>2266.80</b>	9"	7¾"	19½"

- all measurements include handles

## Storz x 30° Female Swivel



Inlet Storz	Outlet Female NST Swivel	Part #	Price	Length	Width	Height
4"	4"	<b>FSGVR30-440F</b>	<b>\$2678.55</b>	9"	6"	19½"
4"	4½"	<b>FSGVR30-445F</b>	<b>2683.35</b>	9"	6½"	19½"
4"	5"	<b>FSGVR30-450F</b>	<b>2807.90</b>	9"	7"	19½"
4"	6"	<b>FSGVR30-460F</b>	<b>2811.80</b>	9"	8"	19½"
5"	4"	<b>FSGVR30-540F</b>	<b>2804.20</b>	9"	6"	19½"
5"	4½"	<b>FSGVR30-545F</b>	<b>2808.70</b>	9"	6½"	19½"
5"	5"	<b>FSGVR30-550F</b>	<b>2932.05</b>	9"	7"	19½"
5"	6"	<b>FSGVR30-560F</b>	<b>2937.15</b>	9"	8"	19½"

- all measurements include handles
- order without "R" to purchase without a relief valve, consult Dixon™ for pricing



with pressure relief valve

## Replacement Parts



GV-HDWHL

Description	Part #	Price
handwheel and knob	<b>GV-HDWHL</b>	<b>\$154.55</b>
knob only	<b>GV-KNOB</b>	<b>61.85</b>

## Dixon™ Large Diameter (LDH) Gate Valves

### Female x Male 30° Swivel

Female	Male	Part #	Price	Length	Width	Height
4"	4"	<b>FMGV30-40F40F</b>	<b>\$2118.20</b>	10"	6"	19½"
4"	4½"	<b>FMGV30-40F45F</b>	<b>2056.30</b>	10"	6½"	19½"
4"	5"	<b>FMGV30-40F50F</b>	<b>2245.00</b>	10"	7"	19½"
4"	6"	<b>FMGV30-40F60F</b>	<b>2056.30</b>	10"	8"	19½"
4½"	4"	<b>FMGV30-45F40F</b>	<b>2093.20</b>	10"	6"	19½"
4½"	4½"	<b>FMGV30-45F45F</b>	<b>2163.40</b>	10"	6½"	19½"
4½"	5"	<b>FMGV30-45F50F</b>	<b>2284.15</b>	10"	7"	19½"
4½"	6"	<b>FMGV30-45F60F</b>	<b>2287.15</b>	10"	8"	19½"
5"	4"	<b>FMGV30-50F40F</b>	<b>2249.95</b>	10"	6"	19½"
5"	4½"	<b>FMGV30-50F45F</b>	<b>2249.95</b>	10"	6½"	19½"
5"	5"	<b>FMGV30-50F50F</b>	<b>2247.35</b>	10"	7"	19½"
5"	6"	<b>FMGV30-50F60F</b>	<b>2250.35</b>	10"	7½"	19½"
6"	6"	<b>FMGV30-60F60F</b>	<b>2319.95</b>	10"	8"	19½"

- Note: all measurements include handles
- add "R" to above part number if pressure relief valve required - e.g. FMGVR30



## Dixon™ Direct Mount Relief Valves

### Feature:

- 0-200 PSI pressure relief valve

Description	Part #	Price
pressure relief valve only	<b>RV250</b>	<b>\$508.20</b>
pressure relief valve with 2½" male thread	<b>MRV250</b>	<b>687.75</b>
pressure relief valve with 2½" female swivel thread	<b>FRV250</b>	<b>761.25</b>



## Dixon™ Hydrant Boosters

### Application:

- can be used as a hydrant booster or for inline pumping

### Features:

- maximum operating pressure: **280 PSI** at 70°F (21°C) without relief valve
- 4½" minimum waterway
- finish anodized throughout - minimum thickness 0.001"
- Initially the valve is connected to the hydrant and water can be pumped directly from the hydrant to the fire. If pressure is low, the valve can have a second pumper connected to it without interrupting flow, a third position allows emergency shut-down.

Storz	Female NST Swivel	Alum. Alloy, 356-T6 Part #	Price	Length	Width	Height
(3) 4" Storz	4½"	<b>FSHV445F</b>	<b>\$3817.80</b>	13½"	19½"	12¾"
(3) 4" Storz	5"	<b>FSHV450F</b>	<b>3817.80</b>	13½"	19½"	12¾"
(3) 5" Storz	4½"	<b>FSHV545F</b>	<b>3817.80</b>	13½"	19½"	12¾"
(3) 5" Storz	5"	<b>FSHV550F</b>	<b>3817.80</b>	13½"	19½"	12¾"

- all measurements include handles



P



## Dixon™ Piston Intake Relief Valves

### Features:

- standard with a 30° elbow (permitting smoother water flow), adjustable relief valve, retractable knob on hand wheel and air bleed off
- permits safe controlled flow to the intake pump and can also be used to draft
- available with Storz or threaded combination
- 9 easy turns open and close the valve
- without relief valve **280 PSI** at 70°F (21°C), without relief valve
- 4½" minimum waterway
- finish anodized throughout - minimum thickness 0.001"
- relief valve - double spring, cartridge type, adjustable from **50 to 200 PSI**



Storz	Female Swivel NST (NH)	Alum. Alloy, 356-T6 Part #	Price	Length	Width	Height
4"	4"	<b>FSGR440F</b>	<b>\$3951.85</b>	12"	8"	17"
4"	4½"	<b>FSGR445F</b>	<b>3951.85</b>	12"	8"	17"
4"	5"	<b>FSGR450F</b>	<b>3951.85</b>	12"	8"	17"
4"	6"	<b>FSGR460F</b>	<b>3951.85</b>	12"	8"	17"
5"	4"	<b>FSGR540F</b>	<b>3951.85</b>	12"	8"	17"
5"	4½"	<b>FSGR545F</b>	<b>3951.85</b>	12"	8"	17"
5"	5"	<b>FSGR550F</b>	<b>3951.85</b>	12"	8"	17"
5"	6"	<b>FSGR560F</b>	<b>3951.85</b>	12"	8"	17"



Male NST (NH)	(2)Female NST (NH) Swivel	Alum. Alloy, 356-T6 Part #	Price	Length	Width	Height
4"	4"	<b>FMGR40F40F</b>	<b>\$3951.85</b>	12"	8"	17"
4"	4½"	<b>FMGR40F45F</b>	<b>2863.65</b>	12"	8"	17"
4"	5"	<b>FMGR40F50F</b>	<b>2863.65</b>	12"	8"	17"
4"	6"	<b>FMGR40F60F</b>	<b>3951.85</b>	12"	8"	17"
4½"	4"	<b>FMGR45F40F</b>	<b>3951.85</b>	12"	8"	17"
4½"	4½"	<b>FMGR45F45F</b>	<b>3951.85</b>	12"	8"	17"
4½"	5"	<b>FMGR45F50F</b>	<b>2863.65</b>	12"	8"	17"
4½"	6"	<b>FMGR45F60F</b>	<b>3951.85</b>	12"	8"	17"
5"	4"	<b>FMGR50F40F</b>	<b>2978.20</b>	12"	8"	17"
5"	4½"	<b>FMGR50F45F</b>	<b>2978.20</b>	12"	8"	17"
5"	5"	<b>FMGR50F50F</b>	<b>3951.85</b>	12"	8"	17"
5"	6"	<b>FMGR50F60F</b>	<b>3951.85</b>	12"	8"	17"
6"	6"	<b>FMGR60F60F</b>	<b>3951.85</b>	12"	8"	17"

- all measurements include handles

P



PV-HDWHL

### Replacement Parts

Description	Part #	Price
handwheel and knob	<b>PV-HDWHL</b>	<b>\$255.00</b>
knob only	<b>PV-KNOB</b>	<b>177.75</b>

## Dixon™ 2-Way Ball Valves

### Features:

- valve feeds two smaller attack lines from one large diameter supply line, 2½" outlet is a gated ball valve providing a safe controlled flow of water
- compact valve comes standard with a carrying handle
- maximum operating pressure: **280 PSI** at 70°F (21°C), without relief valve
- water way: inlet side - 4½" maximum, 2 outlets - 2½" maximum
- finish anodized throughout - minimum thickness 0.001"
- available with Storz or threaded combinations
- can be used to distribute water in the opposite direction

Inlet Storz	Outlet Male	Alum. Alloy, 356-T6 Part #	Price	Length	Width	Height
2½"	2½"	<b>MSBV2525F</b>	<b>\$1918.55</b>	9"	8"	7"
3"	2½"	<b>MSBV325F</b>	<b>1871.25</b>	9"	8½"	7"
4"	2½"	<b>MSBV425F</b>	<b>1718.20</b>	12"	9¾"	9"
5"	2½"	<b>MSBV525F</b>	<b>1837.80</b>	12½"	9¾"	9"
6"	2½"	<b>MSBV625F</b>	<b>2061.85</b>	12½"	10¼"	9"

### Storz Inlet with (2) Outlets

Inlet Storz	(2) Outlet Storz	Alum. Alloy, 356-T6 Part #	Price	Length	Width	Height
2½"	2½"	<b>SBV2525</b>	<b>\$1888.45</b>	9"	8"	7"
3"	2½"	<b>SBV325</b>	<b>1872.65</b>	9"	8½"	7"
4"	2½"	<b>SBV425</b>	<b>1858.10</b>	12"	9¾"	9"
5"	2½"	<b>SBV525</b>	<b>1983.50</b>	12½"	12"	9"
6"	2½"	<b>SBV625</b>	<b>1726.50</b>	12½"	12"	9"

Inlet Storz	(2) Outlet Female	Alum. Alloy, 356-T6 Part #	Price	Length	Width	Height
2½"	2½"	<b>FSBV2525F</b>	<b>\$1986.95</b>	9"	8"	7"
3"	2½"	<b>FSBV325F</b>	<b>1971.20</b>	9"	8½"	7"
4"	2½"	<b>FSBV425F</b>	<b>1922.50</b>	12"	11½"	9"
5"	2½"	<b>FSBV525F</b>	<b>2047.85</b>	12½"	11½"	9"
6"	2½"	<b>FSBV625F</b>	<b>1756.65</b>	12½"	12"	9"

- all measurements include handles



## Dixon™ 2-Way Ball Valves

## Female Swivel Inlet with (2) Male Outlets



1/2"



2 1/2"



3" - 6"

Inlet Female Swivel	(2) Outlet Male	Part #	Price
1/2"	1/2"	<b>FMBV15F15F</b>	<b>\$401.20</b>
1/2"	1/2"	<b>FMBV15S15S</b>	<b>401.20</b>
2 1/2"	1/2"	<b>FMBV25F15F</b>	<b>628.15</b>
2 1/2"	2 1/2"	<b>FMBV25F25F</b>	<b>1699.00</b>
3"	2 1/2"	<b>FMBV30F25F</b>	<b>1871.60</b>
4"	2 1/2"	<b>FMBV40F25F</b>	<b>1971.10</b>
4 1/2"	2 1/2"	<b>FMBV45F25F</b>	<b>2164.85</b>
5"	2 1/2"	<b>FMBV50F25F</b>	<b>1541.40</b>
6"	2 1/2"	<b>FMBV60F25F</b>	<b>1586.55</b>

## Forestry Grade Aluminum 1/4 Turn Ball Type Wye Valves



2 1/2"

## Features:

- materials: swivel inlet and anodized body, hard-coated threads
- built to United States Forest Service specifications
- 1 1/2" maximum operating pressure: **600 PSI** (water/AFFF only) at 70°F (21°C)
- 2 1/2" maximum operating pressure: **400 PSI** (water/AFFF only) at 70°F (21°C)

Inlet Female Thread	(2) Outlets Male Thread	Cast Aluminum Part #	Price
1 1/2" NST (NH)	1 1/2" NST (NH)	<b>FWV15F15F</b>	<b>\$763.80</b>
1 1/2" NPSH	1 1/2" NPSH	<b>FWV15S15S</b>	<b>763.80</b>
2 1/2" NST (NH)	1 1/2" NST (NH)	<b>FWV25F15F</b>	<b>763.65</b>
2 1/2" NST (NH)	2 1/2" NST (NH)	<b>FWV25F25F</b>	<b>2041.25</b>

P

## Plain Wye with Rocker Lugs



## Features:

- divides one stream into two
- female swivel, two male outlets

Inlet Female Swivel	(2) Outlets Male Thread	Aluminum Part #	Price
1 1/2" NST (NH)	1" NPSH	<b>ARPW15F10S</b>	<b>\$474.55</b>
1 1/2" NPSH	1" NPSH	<b>ARPW15S10S</b>	<b>474.55</b>
2 1/2" NST (NH)	1 1/2" NST (NH)	<b>ARPW25F15F</b>	<b>486.85</b>
2 1/2" NST (NH)	2 1/2" NST (NH)	<b>ARPW25F25F</b>	<b>522.10</b>

## Dixon™ 3-Way Ball Valves

### Features:

- Valve will feed three smaller attack lines from one large diameter supply line. The three 2½" outlets are gated ball valves resulting in a safe controlled flow of water.
- equipped with an adjustable relief valve or can be capped off if a relief is not needed
- comes standard with a carrying handle
- maximum operating pressure: **280 PSI** at 70°F (21°C), without relief valve
- water way: inlet side - 4½" maximum, 3 outlets - 2½" maximum
- material: *high strength aluminum alloy, 356-T6*
- finish anodized throughout - minimum thickness 0.001"
- relief valve - double spring, cartridge type, adjustable from 50 to 200 PSI
- available with Storz fittings, male or female threads

Inlet Storz	(3) Outlets	Part #	Price	Length	Width	Height
4"	2½" Male	<b>MSBVR3-425F</b>	<b>\$3060.60</b>	16¼"	17"	11"
5"	2½" Male	<b>MSBVR3-525F</b>	<b>3088.65</b>	16¼"	17"	11"
6"	2½" Male	<b>MSBVR3-625F</b>	<b>3342.95</b>	16¼"	17"	11"
4"	2½" Female	<b>FSBVR3-425F</b>	<b>3150.00</b>	16¼"	17"	11"
5"	2½" Female	<b>FSBVR3-525F</b>	<b>3150.00</b>	16¼"	17"	11"
6"	2½" Female	<b>FSBVR3-625F</b>	<b>3150.00</b>	16¼"	17"	11"

- all measurements include handles



## Dixon™ Jumbo Ball Valves

### Features:

- Valve feeds multiple large diameter lines with one large diameter line. Two large gated outlets help control the flow of water and provide easy shutdown.
- equipped with a relief valve
- available with Storz fittings or threaded combinations
- up to **280 PSI** working pressure without relief valve at 70°F (21°C)
- water way: inlet side - 4½" maximum, 2 outlets - 2½" maximum
- material: *high strength aluminum alloy, 356-T6*
- finish anodized throughout - minimum thickness 0.001"
- relief valve - double spring, cartridge type, adjustable from 50 to 200 PSI

Inlet Storz	(2) Outlets Storz	Part #	Price	Length	Width	Height
4"	4"	<b>SJBV440</b>	<b>\$7443.20</b>	19½"	18"	11"
5"	4"	<b>SJBV540</b>	<b>6999.70</b>	19½"	18"	11"
5"	5"	<b>SJBV550</b>	<b>7106.55</b>	19½"	18"	11"



## Dixon™ 5-Way Manifolds

### Features:

- can be used to supply multiple attack lines with one large diameter line
- compact unit contains one large gated outlet, four 2½" gated outlets, pressure gauge, adjustable relief valve, and carrying handle built into the body
- maximum operating pressure: **280 PSI** at 70°F (21°C), without relief valve
- water way: inlet side - 4½" maximum, 1 outlet - 4½" maximum, 4 outlets - 2½" maximum
- finish anodized throughout: minimum thickness 0.001"
- pressure gauge: glycerine filled, PSI/KPA readings
- relief valve: double spring, cartridge type, adjustable from 50 to 200 PSI
- available with Storz fittings, male or female threads

Inlet Storz	(1) Outlet Storz	(4) Outlets Gated	Alum. Alloy, 356-T6 Part #	Price	Length	Width	Height
4"	4"	2½"	<b>MSMG425F</b>	<b>\$6478.10</b>	21"	25"	12½"
5"	5"	2½"	<b>MSMG525F</b>	<b>6419.30</b>	21"	25"	12½"
6"	6"	2½"	<b>MSMG625F</b>	<b>6928.00</b>	21"	25"	12½"

- all measurements include handles



Dixon™ **Butterfly Valves****Butterfly Valves - Storz x Female Swivel****Features:**

- permits safe controlled flow to the intake pump, can be used for draft situations
- pressure range: **150-300 PSI** working pressure at 70°F (21°C)
- water way: 4½", 5", and 6" maximum
- materials: body-ASTN A-126 cast iron, wafer-lightweight aluminum cast 356-T6, , seat - Buna
- ¾" push-pull drain valve
- standard 10-position locking style lever
- finish anodized cast aluminum bolt flanges - minimum thickness 0.001"
- lever handle to center valve is 10¼"
- can be used in either direction e.g. inlet/outlet



Storz	Female NST (NH) Swivel	Part #	Price	Length	Width	Height
4"	4"	<b>SFBTFLY4040F</b>	<b>\$3234.80</b>	9½"	11"	18"
4"	4½"	<b>SFBTFLY4045F</b>	<b>3055.40</b>	9½"	11"	18"
4"	5"	<b>SFBTFLY4050F</b>	<b>3109.35</b>	9½"	11"	18"
4"	6"	<b>SFBTFLY4060F</b>	<b>2980.70</b>	9½"	11"	18"
5"	4"	<b>SFBTFLY5040F</b>	<b>3115.00</b>	9½"	11"	18"
5"	4½"	<b>SFBTFLY5045F</b>	<b>2945.00</b>	9½"	11"	18"
5"	5"	<b>SFBTFLY5050F</b>	<b>2997.10</b>	9½"	11"	18"
5"	6"	<b>SFBTFLY5060F</b>	<b>2868.50</b>	9½"	11"	18"
6"	4"	<b>SFBTFLY6040F</b>	<b>2958.70</b>	9½"	13"	18"
6"	4½"	<b>SFBTFLY6045F</b>	<b>2958.70</b>	9½"	13"	18"
6"	5"	<b>SFBTFLY6050F</b>	<b>2958.70</b>	9½"	13"	18"
6"	6"	<b>SFBTFLY6060F</b>	<b>3016.40</b>	9½"	13"	18"

**L/H Butterfly Valves - Male x Female Swivel****Features:**

- permits safe controlled flow to the intake pump, can be used for draft situations
- standard 10 position lever handle
- ¾" push-pull drain valve standard
- pressure range: **150-300 PSI** at 70°F (21°C)
- water way: 4½", 5", and 6" maximum
- seat: *Buna*
- finish: anodized cast aluminum bolt flanges (minimum thickness 0.001")
- lever handle to center valve is 10¼", unit can be used in either direction e.g. inlet/outlet



Male NST (NH)	Female NST (NH) Swivel	ASTN A-126 Cast Iron Part #	Price	Length	Width	Height
4"	4"	<b>FMBTFLY40F40F</b>	<b>\$1920.50</b>	9½"	11"	18"
4"	4½"	<b>FMBTFLY40F45F</b>	<b>1920.50</b>	9½"	11"	18"
4"	5"	<b>FMBTFLY40F50F</b>	<b>2164.95</b>	9½"	11"	18"
4"	6"	<b>FMBTFLY40F60F</b>	<b>2839.05</b>	9½"	11"	18"
4½"	4"	<b>FMBTFLY45F40F</b>	<b>2549.80</b>	9½"	11"	18"
4½"	4½"	<b>FMBTFLY45F45F</b>	<b>2561.65</b>	9½"	11"	18"
4½"	5"	<b>FMBTFLY45F50F</b>	<b>2164.95</b>	9½"	11"	18"
4½"	6"	<b>FMBTFLY45F60F</b>	<b>2164.95</b>	9½"	11"	18"
5"	4"	<b>FMBTFLY50F40F</b>	<b>2549.80</b>	9½"	11"	18"
5"	4½"	<b>FMBTFLY50F45F</b>	<b>2809.40</b>	9½"	11"	18"
5"	5"	<b>FMBTFLY50F50F</b>	<b>2879.35</b>	9½"	11"	18"
5"	6"	<b>FMBTFLY50F60F</b>	<b>2731.05</b>	9½"	11"	18"
6"	6"	<b>FMBTFLY60F60F</b>	<b>2552.15</b>	9½"	13"	18"

## Dixon™ 2-Way Siamese

### Features:

- used to supply large diameter hose from two smaller lines, can also be used to distribute water in the opposite direction
- standard with clapper (removable), swivel Storz connection and (2) 2½" female swivels
- hard coat anodized
- maximum operating pressure: **280 PSI** working pressure at 70°F (21°C), without relief valve
- water way: 2 inlet side - 2½" maximum, 1 outlet - 4½" maximum
- finish anodized throughout - minimum thickness 0.001"
- FSSV - siamese with clappers  
MSSV - wyes without clappers  
SSV - customer to specify if clappered or not

Outlet Storz	(2) Inlet	Alum. Alloy, 356-T6 Part #	Price	Length	Width	Height
4"	2½" fem. swivel	<b>FSSV425F</b>	<b>\$945.00</b>	9½"	9¼"	6"
5"	2½" fem. swivel	<b>FSSV525F</b>	<b>1276.85</b>	10"	9"	7½"
6"	2½" fem. swivel	<b>FSSV625F</b>	<b>1097.25</b>	10"	9"	8"
4"	2½" male	<b>MSSV425F</b>	<b>861.10</b>	9¼"	8"	6"
5"	2½" male	<b>MSSV525F</b>	<b>1029.50</b>	9½"	8"	7½"
6"	2½" male	<b>MSSV625F</b>	<b>916.40</b>	9½"	8"	8"
4"	2½" Storz	<b>SSV425</b>	<b>1082.00</b>	8¾"	9½"	6"
5"	2½" Storz	<b>SSV525</b>	<b>1019.50</b>	9½"	9½"	7½"
6"	2½" Storz	<b>SSV625</b>	<b>1059.55</b>	10¼"	9½"	9"



## Dixon™ 3-Way Siamese

### Features:

- used to supply large diameter hose from multiple smaller lines, can be used to distribute water in the opposite direction
- lightweight, compact
- convenient carrying handle built on the body
- maximum operating pressure: **280 PSI** at 70°F (21°C), without relief valve
- water way: 3 inlet side - 2½" maximum, 1 outlet 4½" maximum
- finish anodized throughout (minimum thickness 0.001")
- available with Storz connections or threaded combinations
- FSSV - siamese with clappers  
MSSV - wyes without clappers  
SSV - customer to specify if clappered or not

Outlet Storz	(3) Inlets	Alum. Alloy, 356-T6 Part #	Price	Length	Width	Height
4"	2½" fem. swivel	<b>FSSV3-425F</b>	<b>\$1719.10</b>	12½"	13¾"	7½"
5"	2½" fem. swivel	<b>FSSV3-525F</b>	<b>1520.20</b>	12½"	13¾"	8"
6"	2½" fem. swivel	<b>FSSV3-625F</b>	<b>1667.80</b>	12½"	13¾"	8"
4"	2½" Male	<b>MSSV3-425F</b>	<b>1513.60</b>	11¾"	13¼"	7½"
5"	2½" Male	<b>MSSV3-525F</b>	<b>1295.25</b>	11¾"	13¼"	8"
6"	2½" Male	<b>MSSV3-625F</b>	<b>1675.80</b>	11¾"	13¼"	8"
4"	2½" Storz	<b>SSV3-425</b>	<b>1505.35</b>	11½"	13¾"	7½"
5"	2½" Storz	<b>SSV3-525</b>	<b>1452.35</b>	11½"	13¾"	8"
6"	2½" Storz	<b>SSV3-625</b>	<b>1730.40</b>	11½"	13¾"	8½"



P

## Dixon™ 4-Way Siamese

### Features:

- used to supply large diameter hose from multiple smaller lines, can be used to distribute water in the opposite direction
- lightweight and compact
- convenient carrying handle built on the body
- maximum operating pressure: **280 PSI** at 70°F (21°C), without relief valve
- water way: 4 inlet side - 2½" maximum, 1 outlet - 4½" maximum
- finish anodized throughout (minimum thickness 0.001")
- FSSV - siamese with clappers  
MSSV - wyes without clappers  
SSV - customer to specify if clappered or not



Outlet Storz	(4) Inlets	Alum. Alloy, 356-T6 Part #	Price	Length	Width	Height
4"	2½" fem. swivel	<b>FSSV4-425F</b>	<b>\$2417.40</b>	13½"	18"	7½"
5"	2½" fem. swivel	<b>FSSV4-525F</b>	<b>2391.10</b>	13½"	18"	8"
6"	2½" fem. swivel	<b>FSSV4-625F</b>	<b>2250.20</b>	13½"	18"	8"
4"	2½" male	<b>MSSV4-425F</b>	<b>2222.10</b>	12¾"	16¾"	7½"
5"	2½" male	<b>MSSV4-525F</b>	<b>2109.90</b>	12¾"	16¾"	8"
6"	2½" male	<b>MSSV4-625F</b>	<b>2317.25</b>	12¾"	16¾"	8"
4"	2½" Storz	<b>SSV4-425</b>	<b>2050.40</b>	12½"	17¼"	7½"
5"	2½" Storz	<b>SSV4-525</b>	<b>2000.80</b>	12½"	17¼"	8"
6"	2½" Storz	<b>SSV4-625</b>	<b>2278.95</b>	12½"	17¼"	8½"

## Dixon™ Jumbo Siamese

### Features:

- used to supply one large diameter hose from two large diameter hose lines, can be used to distribute water in the opposite direction
- hard coat anodized throughout
- maximum operating pressure: **280 PSI** at 70°F (21°C), without relief valve
- water way: 2 inlet side - 4" maximum, 1 outlet - 4½" maximum
- finish anodized throughout (minimum thickness 0.001")



Outlet Storz	(2) Inlets Storz	Alum. Alloy, 356-T6 Part #	Price	Length	Width	Height
4"	4"	<b>SSVJ440</b>	<b>\$2400.35</b>	12½"	13¼"	6½"
5"	4"	<b>SSVJ540</b>	<b>2400.35</b>	12¾"	13¼"	8"
5"	5"	<b>SSVJ550</b>	<b>2400.35</b>	13¾"	13¼"	8"

P

## Single Inlet Residential Sprinkler Connections

**Application:**

- complete single inlet connection (exposed type) used on residential automatic sprinkler systems

**Features:**

- complete unit consists of: (1) 17-127 1½" pin lug plug with chain and (1) 24-209 4-7/16" OD round escutcheon plate with swivel



Inlet Female NST (NH)	Outlet Female NPT	Cast Brass Part #	Price
1½"	1½"	<b>RIC150F</b>	<b>\$77.70</b>

## Single Inlet Connections

**Features:**

- provides a complete exposed single inlet connection
- finish: -P polished or -C polished chrome plated
- complete unit consists of: (1) 24-209 round plate branded 'Standpipe' or 'Auto-Sprk', (1) 23-270 double female or 09-215 male and female connection, (1) 17-127 pin lug plug with chain
- rigid hexagon end of either connection is 2½" NPT
- swivel end



Inlet Female NST (NH)	Outlet Female NPT	Cast Brass Part #	Price
2½"	2½"	<b>SIC250F</b>	<b>\$256.00</b>
2½"	2½"	<b>SIC250F-P</b>	<b>268.30</b>
2½"	2½"	<b>SIC250F-C</b>	<b>327.85</b>

## Single Hydrant Connections

**Features:**

- finish: -P polished or -C polished chrome plated
- complete unit consists of: (1) 24-209 round plate branded 'Wall Hydrant', (1) 23-272: 2½" female and male connection, (1) 17-126 cap with chain



Inlet Female NPT	Outlet Male NST (NH)	Cast Brass Part #	Price
2½"	2½"	<b>MOCA250F</b>	<b>\$272.00</b>
2½"	2½"	<b>MOCA250F-P</b>	<b>350.00</b>
2½"	2½"	<b>MOCA250F-C</b>	<b>472.40</b>

P

## Exposed Two Way Wall Hydrant

**Features:**

- finish: -P polished or -C polished chrome plated
- DMOCA40225F consists of: (1) REP400HY round plate branded 'Wall Hydrant', (1) FRC4025F: 2½" female and male connection, (2) FC250F cap with chain
- DMOCA60225F consists of: (1) REP600HY round plate branded 'Wall Hydrant', (1) FRC6025F: 2½" female and male connection, (2) FC250F cap with chain



Inlet Female NPT	(2) Outlets Male NST (NH)	Cast Brass Part #	Price
4"	2½"	<b>DMOCA40225F</b>	<b>\$494.40</b>
4"	2½"	<b>DMOCA40225F-P</b>	<b>569.10</b>
4"	2½"	<b>DMOCA40225F-C</b>	<b>589.25</b>
6"	2½"	<b>DMOCA60225F</b>	<b>864.50</b>
6"	2½"	<b>DMOCA60225F-P</b>	<b>980.40</b>
6"	2½"	<b>DMOCA60225F-C</b>	<b>1080.25</b>



## Single Clapper Siamese Connections

**Features:**

- single swing clapper with (2) pin lug swivel inlets
- provides 500 GPM minimum to supplement the fire protection as an auxiliary inlet connection to the water supply (250 GPM minimum per inlet)
- design provides unobstructed waterway
- exposed Fire Department Connections (FDC) provide an economical method of satisfying local fire codes
- branding: Auto-Sprk
- finishes: -P polished or -C polished chrome plated
- maximum operating pressure: **250 PSI** at 70°F (21°C)
- replacement swivels can be ordered on page 581



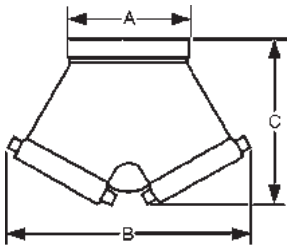
**Feature:**

- U/L listed and FM approved

Outlet Female NPT	(2) Inlets Female	Cast Brass Part #	Price
4"	2½" NST (NH)	<b>SCS4025F</b>	<b>\$539.25</b>
4"	2½" NYFD	<b>SCS4025NYFD</b>	<b>595.90</b>
4"	2½" NST (NH)	<b>ISCS4025F</b> <sup>1</sup>	<b>224.25</b>

<sup>1</sup> imported

**Dimensions**



Size	A	B	C
4" x 2½" x 2½"	5⅞"	9"	6-1/16"

- dimensions match SCS4025F and SCS4025NYFD



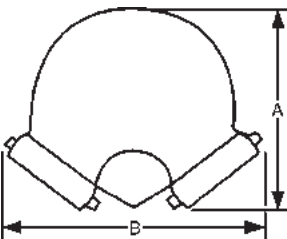
**Feature:**

- U/L listed

Outlet Female NPT	(2) Inlets Female	Cast Brass Part #	Price
4"	2½" NST (NH)	<b>90SCS4025F</b>	<b>\$603.05</b>
4"	2½" NYFD	<b>90SCS4025NYFD</b>	<b>719.95</b>
4"	2½" NST (NH)	<b>90ISCS4025F</b> <sup>1</sup>	<b>239.40</b>

<sup>1</sup> imported

**Dimensions**



Size	A	B
4" x 2½" x 2½"	6⅞"	9⅞"

- dimensions match 90SCS4025F, and 90SCS4025NYFD

# Double Clapper Siamese Connections



**Features:**

- double drop clapper with (2) pin lug swivel inlets provides required 500 GPM minimum to supplement the fire protection as an auxiliary inlet connection to the water supply (250 GPM minimum per inlet)
- exposed Fire Department Connections (FDC) provide an economical method of satisfying local fire codes
- maximum operating pressure: **175 PSI** at 70°F (21°C)
- finish: -P polished or -C polished chrome plated
- U/L listed and FM approved

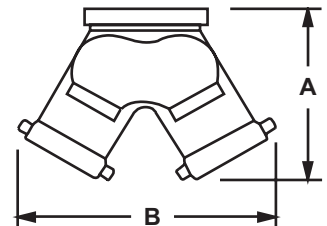
back outlet

Outlet Female NPT	(2) Inlets Female	Branding	Cast Brass Part #	Price
4"	2½" NST(NH)	AutoSprinkler	<b>DCS4025F</b>	<b>\$855.70</b>
		AutoSprinkler	<b>DCS4025F-P</b>	<b>969.70</b>
		AutoSprinkler	<b>DCS4025F-C</b>	<b>1036.40</b>
		StandPipe	<b>DCS4025F-SP</b>	<b>855.70</b>
		No Branding	<b>DCS4025F-NB</b>	<b>855.70</b>
4"	3" NST(NH)	AutoSprinkler	<b>DCS4030F</b>	<b>878.80</b>
	3" NST(NH)	AutoSprinkler	<b>DCS4030NYFD</b>	<b>878.80</b>
6"	2½" NYFD	AutoSprinkler	<b>DCS6025F</b>	<b>1018.50</b>
	2½" NST(NH)	StandPipe	<b>DCS6025F-SP</b>	<b>1018.50</b>



**Dimensions**

Size	A	B
4" x 2½" x 2½"	9⅝"	12¼"
6" x 2½" x 2½"	10¼"	11¾"
4" x 3" x 3"	10"	12½"
6" x 3" x 3"	10⅜"	12½"



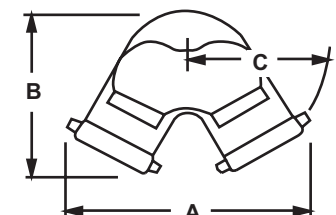
bottom outlet

Outlet Female NPT	(2) Inlets Female	Branding	Cast Brass Part #	Price
4"	2½" NST(NH)	AutoSprinkler	<b>90DCS4025F</b>	<b>\$847.10</b>
		AutoSprinkler	<b>90DCS4025F-P</b>	<b>968.35</b>
		AutoSprinkler	<b>90DCS4025F-C</b>	<b>998.65</b>
		StandPipe	<b>90DCS4025F-SP</b>	<b>847.10</b>
		No Branding	<b>90DCS4025F-NB</b>	<b>847.10</b>
4"	3" NST(NH)	AutoSprinkler	<b>90DCS4030F</b>	<b>940.00</b>
	3" NYFD	AutoSprinkler	<b>90DCS4030NYFD</b>	<b>940.00</b>
		StandPipe	<b>90DCS4030NYFDSP</b>	<b>940.00</b>
6"	2½" NST(NH)	AutoSprinkler	<b>90DCS6025F</b>	<b>892.20</b>
		StandPipe	<b>90DCS6025F-SP</b>	<b>892.20</b>
	3" NYFD	AutoSprinkler	<b>90DCS6030NYFD</b>	<b>2072.35</b>



**Dimensions**

Size	A	B	C
4" x 2½" x 2½"	11¾"	9⅝"	7¼"
6" x 2½" x 2½"	11¾"	10¾"	7¼"
4" x 3" x 3"	12½"	10⅞"	7½"
6" x 3" x 3"	12¼"	10⅞"	7¼"



- special threads, branding and finishes are available, consult Dixon™ for information
- replacement swivels can be ordered on page 581

## Triple Clapper Siamese Connections

**Features:**

- branding: see below
- finishes: -P polished or -C polished chrome plated
- maximum operating pressure: **175 PSI** at 70°F (21°C)

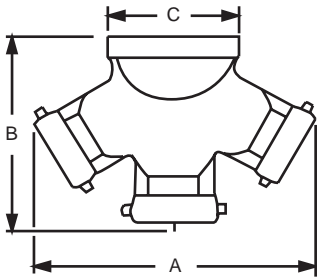
### back outlet



polished

Outlet Female NPT	(3) Inlets Female NST (NH)	Branding	Cast Brass Part #	Price
4"	2½"	AutoSprinkler	<b>TCS4025F</b>	<b>\$1833.40</b>
		StandPipe	<b>TCS4025F-SP</b>	<b>1833.40</b>
		No Branding	<b>TCS4025F-NB</b>	<b>1833.40</b>
6"	2½"	AutoSprinkler	<b>TCS6025F</b>	<b>2433.85</b>
		StandPipe	<b>TCS6025F-SP</b>	<b>2433.10</b>
		No Branding	<b>TCS6025F-NB</b>	<b>2176.00</b>

### Dimensions



Size	A	B	C
4" x 2½" x 2½" x 2½"	13¾"	10½"	5"
6" x 2½" x 2½" x 2½"	13¾"	10½"	7½"

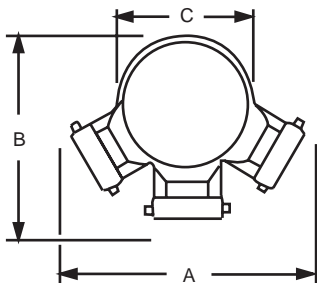
### bottom outlet



P

Outlet Female NPT	(3) Inlets Female NST (NH)	Branding	Cast Brass Part #	Price
4"	2½"	AutoSprinkler	<b>90TCS4025F</b>	<b>\$2927.95</b>
		No Branding	<b>90TCS4025F-NB</b>	<b>2919.50</b>
6"	2½"	AutoSprinkler	<b>90TCS6025F</b>	<b>2788.65</b>
		No Branding	<b>90TCS6025F-NB</b>	<b>2918.85</b>

### Dimensions



Size	A	B	C
4" x 2½" x 2½" x 2½"	14½"	11½"	7⅝"
6" x 2½" x 2½" x 2½"	14½"	11½"	7⅝"

- special threads, branding and finishes are available, consult Dixon™ for information
- replacement swivels can be ordered on page 581

## Double Clapper Concealed Type Siamese Assemblies

**Features:**

- fully reversible with a perpendicular trunnion allowing one body to be installed for top and bottom connections
- branded: 'standpipe', 'auto-sprkr', 'auto-sprkr.-standpipe'
- **-P** polished
- **-C** polished chrome plated
- finishes: cast, polished or polished chrome
- maximum operating pressure: **250 PSI**
- complete unit consisting of the following six parts: (1) 4025REV90, or 4030REV90, or 90CREV6025, (1) 24-385 plate, (2) 23-270 double female connections, (2) 17-127 plugs with chains



Outlet Female NPT	(2) Inlets Female NST (NH)	Branding	Cast Brass Part #	Price
4"	2½"	AutoSprinkler	<b>2WCA4025F-P</b>	<b>\$1299.00</b>
4"	2½"	StandPipe	<b>2WCA4025F-SP-P</b>	<b>1299.00</b>
4"	2½"	AutoSprinkler	<b>2WCA4025F-C</b>	<b>1389.00</b>
4"	2½"	StandPipe	<b>2WCA4025F-SP-C</b>	<b>1389.00</b>
4"	3"	AutoSprinkler	<b>2WCA4030F-P</b>	<b>1780.00</b>
6"	2½"	AutoSprinkler	<b>2WCA6025F-P</b>	<b>1826.00</b>
6"	2½"	StandPipe	<b>2WCA6025F-SP-P</b>	<b>1826.00</b>
6"	2½"	AutoSprinkler	<b>2WCA6025F-C</b>	<b>1916.00</b>
6"	2½"	StandPipe	<b>2WCA6025F-SP-C</b>	<b>1916.00</b>

- other branding and finishes are also available, consult Dixon™ for information

## Two Way Sidewalk Siamese Assembly

**Features:**

- U/L listed, FM approved
- **-P** polished
- **-C** polished chrome plated
- complete unit consists of: (1) 21-133 90° Siamese body, double clapper, (2) 17-127 pin lug plugs with chains, (1) 23-404 sleeve, (1) 24-405 escutcheon plate

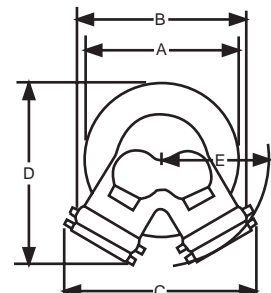
Outlet Female NPT	(2) Inlets Female NST (NH)	Cast Brass Part #	Price
4"	2½"	<b>2WSA4025F</b>	<b>\$1467.30</b>
4"	2½"	<b>2WSA4025F-P</b>	<b>POR</b>
4"	2½"	<b>2WSA4025F-C</b>	<b>POR</b>
4"	2½"	<b>2WSA4025F-SP</b>	<b>1467.30</b>
4"	2½"	<b>2WSA4025F-SP-P</b>	<b>POR</b>
4"	2½"	<b>2WSA4025F-SP-C</b>	<b>POR</b>
6"	2½"	<b>2WSA6025F</b>	<b>1664.85</b>
6"	2½"	<b>2WSA6025F-P</b>	<b>POR</b>
6"	2½"	<b>2WSA6025F-C</b>	<b>POR</b>
6"	2½"	<b>2WSA6025F-SP</b>	<b>1664.85</b>
6"	2½"	<b>2WSA6025F-SP-P</b>	<b>POR</b>
6"	2½"	<b>2WSA6025F-SP-C</b>	<b>POR</b>



P

**Dimensions**

Size	A	B	C	E	F
4" x 2½" x 2½"	9¼"	10⅝"	10¾"	10⅝"	6⅝"
6" x 2½" x 2½"	11¼"	10½"	11¾"	13"	7¼"



Note: some components UL listed/FM approved, not entire assembly

## UL Two Way Male Outlet - Roof Connections

**Features:**

- Used to create roof connections, fire pump test connections, wall hydrants or sidewalk (free standing) hydrants
- provides 250 GPM minimum per outlet
- U/L listed
- maximum operating pressure: **175 PSI** at 70°F (21°C)
- other configurations are available, contact Dixon™ for additional information

back outlet

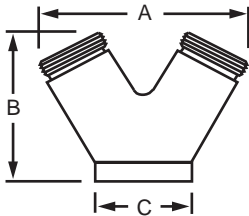


Pipe	(2) Outlets Male	Cast Brass Part #	Price
4"	2 1/2" NPT	<b>IRC4025</b>	<b>\$229.40</b>
	2 1/2" NPT	<b>FRC4025</b>	<b>443.85</b>
	NST (NH)	<b>IRC4025F</b>	<b>229.40</b>
	2 1/2" NST (NH)	<b>FRC4025F</b>	<b>No Match!</b>
6"	2 1/2" NPT	<b>FRC6025</b>	<b>657.10</b>
	2 1/2" NST (NH)	<b>FRC6025F</b>	<b>657.10</b>
	2 1/2" NYFD	<b>FRC6025NYFD</b>	<b>690.00</b>



Groove Size	(2) Outlets Male	Cast Brass Part #	Price
4"	2 1/2" MNST	<b>IRC4025GF</b>	<b>229.40</b>

Dimensions



Size	A	B	C
4" x 2 1/2" x 2 1/2"	7-7/8"	5-3/16"	5-1/4"
6" x 2 1/2" x 2 1/2"	8-3/16"	6-3/8"	7-5/8"

## Two Way Male Outlet - Roof Connections

**Features:**

- Used to create roof connections, fire pump test connections, wall hydrants or sidewalk (free standing) hydrants
- provides 250 GPM minimum per outlet
- U/L listed
- maximum operating pressure: **175 PSI** at 70°F (21°C)

90° bottom outlet

Pipe Size	(2) Outlets Male	Cast Brass Part #	Price
4"	2½" NPT	<b>90IRC4025</b>	<b>\$269.95</b>
	2½" NPT	<b>90FRC4025</b>	<b>474.35</b>
	2½" NST (NH)	<b>90IRC4025F</b>	<b>269.95</b>
	2½" NST (NH)	<b>90FRC4025F</b>	<b>477.55</b>
6"	2½" NPT	<b>90FRC6025</b>	<b>656.30</b>
	2½" NST (NH)	<b>90FRC6025F</b>	<b>656.30</b>

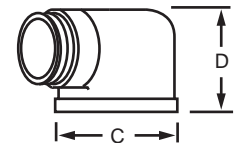
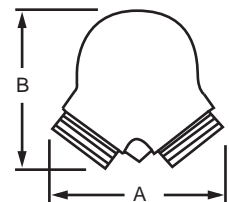


Groove Size	(2) Outlets Male	Cast Brass Part #	Price
4"	2½" MNPT	<b>90IRC4025G</b>	<b>\$274.20</b>
4"	2½" MNST	<b>90IRC4025GF</b>	<b>274.20</b>



**Dimensions**

Size	A	B	C	D
4" x 2½" x 2½"	7½"	6¾"	5⅝"	4½"
6" x 2½" x 2½"	9"	8½"	7½"	5"



P

## Three Way Male Outlet - Roof Connections

**Features:**

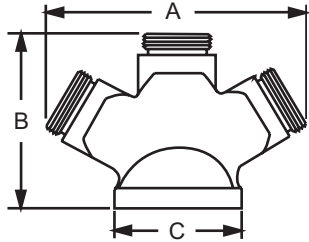
- used to create roof connections, or fire pump test connections
- provides 250 GPM minimum per outlet

### back outlet



Pipe Size	(3) Outlets Male	Cast Brass Part #	Price
4"	2½" NPT	<b>FR3C4025</b>	<b>\$925.95</b>
6"	2½" NPT	<b>FR3C6025</b>	<b>2072.55</b>
	2½" NST (NH)	<b>FR3C6025F</b>	<b>2197.40</b>

### Dimensions



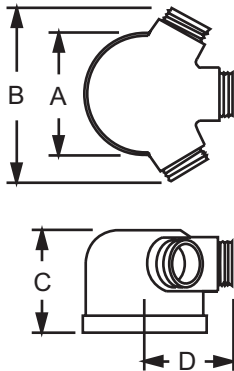
Size	A	B	C
4" x 2½" x 2½" x 2½"	12¾"	8¾"	5¼"
6" x 2½" x 2½" x 2½"	15⅜"	9¾"	7⅝"

### bottom outlet



Pipe Size	(3) Outlets Male	Cast Brass Part #	Price
4"	2½" NPT	<b>90FR3C4025</b>	<b>\$2071.70</b>
	2½" NST (NH)	<b>90FR3C4025F</b>	<b>2071.70</b>
6"	2½" NPT	<b>90FR3C6025</b>	<b>1404.10</b>
	2½" NST (NH)	<b>90FR3C6025F</b>	<b>1404.10</b>

### Dimensions



Size	A	B	C	D
4 x 2½ x 2½ x 2½	7¾"	11¾"	4-7/16"	6¼"
6 x 2½ x 2½ x 2½	7¾"	11¾"	4-7/16"	6¼"

P

## Sleeve for Sidewalk (free standing) Connections

**Features:**

- used in conjunction with a sidewalk escutcheon and a 90° double clapper Siamese to create a sidewalk (free standing) fire department connection
- finishes: -P polished, -C polished chrome plated



Pipe Size	Length	Brass Part #	Price
4"	18"	<b>SS418-P</b>	<b>\$589.95</b>
	18"	<b>SS418-C</b>	<b>652.95</b>
	24"	<b>SS424-P</b>	<b>538.40</b>
	24"	<b>SS424-C</b>	<b>630.00</b>
6"	18"	<b>SS618-P</b>	<b>589.95</b>
	18"	<b>SS618-C</b>	<b>813.30</b>
	24"	<b>SS624-P</b>	<b>893.50</b>
	24"	<b>SS624-C</b>	<b>1071.00</b>



## Rectangular Identification Plates

**Feature:**

- used to identify Fire Department Connections

Branding	Finish	Brass Part #	Price
AutoSprinkler	cast	<b>RIDP412AS</b>	<b>\$131.75</b>
	polish	<b>RIDP412AS-P</b>	<b>204.15</b>
	chrome	<b>RIDP412AS-C</b>	<b>228.10</b>
Standpipe	cast	<b>RIDP412S</b>	<b>131.75</b>
	polish	<b>RIDP412S-P</b>	<b>204.15</b>
	chrome	<b>RIDP412S-C</b>	<b>228.10</b>
Combination	cast	<b>RIDP412ASSP</b>	<b>131.75</b>
	polish	<b>RIDP412ASSP-P</b>	<b>204.15</b>
	chrome	<b>RIDP412ASSP-C</b>	<b>228.10</b>



## Round Identification Plates

**Features:**

- used to trim out and identify exposed fire department connections
- for Siamese, made in 9¼" diameter for 4" pipe and 11¼" diameter for 6" pipe
- finishes: -P polished, -C polished chrome plated

Pipe Size	Branding	Cast Brass Part #	Price
2½"	Auto-Sprinkler	<b>REP250AS</b>	<b>\$90.45</b>
	Auto-Sprinkler	<b>REP250AS-P</b>	<b>132.95</b>
	Auto-Sprinkler	<b>REP250AS-C</b>	<b>183.30</b>
	Wall Hydrant	<b>REP250HY</b>	<b>90.45</b>
	Pump Test	<b>REP250PT</b>	<b>90.45</b>
	Standpipe	<b>REP250SP</b>	<b>90.45</b>
	Standpipe	<b>REP250SP-P</b>	<b>115.35</b>
	Standpipe	<b>REP250SP-C</b>	<b>162.70</b>
4"	Auto-Sprinkler	<b>AREP400AS</b> <sup>1</sup>	<b>30.50</b>
	Auto-Sprinkler	<b>REP400AS</b>	<b>181.80</b>
	Auto-Sprinkler	<b>REP400AS-P</b>	<b>209.30</b>
	Auto-Sprinkler	<b>REP400AS-C</b>	<b>268.55</b>
	Wall Hydrant	<b>REP400HY</b>	<b>181.80</b>
	Standpipe	<b>REP400SP</b>	<b>181.80</b>
	Standpipe	<b>REP400SP-P</b>	<b>210.95</b>
	Standpipe	<b>REP400SP-C</b>	<b>268.55</b>
	Auto-Sprinkler & Standpipe	<b>REP400AS/SP</b>	<b>210.95</b>
6"	Auto-Sprinkler	<b>REP600AS</b>	<b>231.40</b>
	Auto-Sprinkler	<b>REP600AS-P</b>	<b>246.85</b>
	Auto-Sprinkler	<b>REP600AS-C</b>	<b>320.75</b>
	Standpipe	<b>REP600SP</b>	<b>231.40</b>
	Standpipe	<b>REP600SP-P</b>	<b>287.95</b>
	Standpipe	<b>REP600SP-C</b>	<b>320.75</b>



REP250AS-C



REP250AS-P



REP400AS



<sup>1</sup> aluminum

### Dimensions

Size	OD	Hole Size
2½"	7⅝"	3¼"
4"	9¼"	4⅝"
6"	11¼"	6¾"



# UL Concealed Two Way Wall Hydrant Body

**Application:**

- connections supplement the fire protection water supply

**Features:**

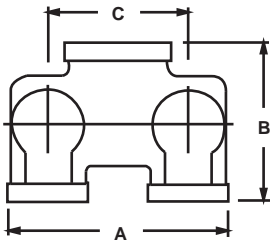
- provides 500 GPM minimums at 250 GPM per inlet (ref NFPA 14)
- drop clappers provide unobstructed waterway
- flush design is desirable when appearance is a factor
- U/L listed
- double clapper
- 7<sup>5</sup>/<sub>8</sub>" center-line
- bodies require wall plate WP2 (24-385), see page 578

## back outlet



Outlet Female NPT	(2) Inlets Female NPT	Brass Part #	Price
4"	2½"	<b>CDMHCB40225</b>	<b>\$803.95</b>
4"	3"	<b>CDMHCB40230</b>	<b>1135.95</b>
5"	3"	<b>CDMHCB50230</b>	<b>2190.95</b>
6"	2½"	<b>CDMHCB60225</b>	<b>918.70</b>
6"	3"	<b>CDMHCB60230</b>	<b>2909.15</b>

### Dimensions



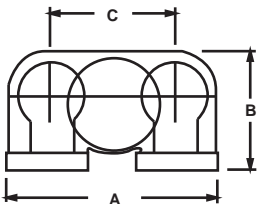
Size	A	B	C
4" x 2½" x 2½"	11-1/8"	6"	7 <sup>5</sup> / <sub>8</sub> "
4" x 3" x 3"	12-1/4"	8-1/8"	7 <sup>5</sup> / <sub>8</sub> "
5" x 3" x 3"	11-13/16"	7-5/16"	7 <sup>5</sup> / <sub>8</sub> "
6" x 2½" x 2½"	11-1/8"	7-3/8"	7 <sup>5</sup> / <sub>8</sub> "
6" x 3" x 3"	12-1/4"	8-1/4"	7 <sup>5</sup> / <sub>8</sub> "

## bottom outlet



Outlet Female NPT	(2) Inlets Female NPT	Brass Part #	Price
5"	3"	<b>90CDMHCB50230</b>	<b>\$3276.20</b>
6"	2½"	<b>90CDMHCB60225</b>	<b>3089.10</b>
6"	3"	<b>90CDMHCB60230</b>	<b>3087.20</b>

### Dimensions



Size	A	B	C
5" x 3" x 3"	12"	9½"	7 <sup>5</sup> / <sub>8</sub> "
6" x 2½" x 2½"	12"	7¼"	7 <sup>5</sup> / <sub>8</sub> "
6" x 3" x 3"	12"	9½"	7 <sup>5</sup> / <sub>8</sub> "

P

## Reversible Concealed Angle Siamese Body

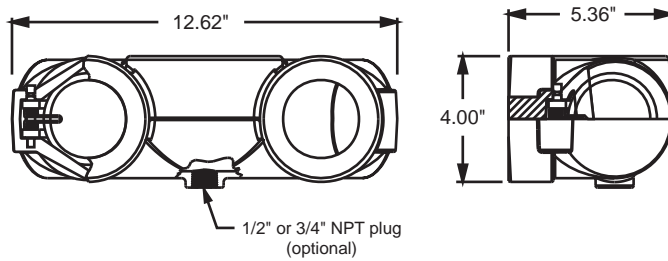
**Features:**

- design is fully reversible with a perpendicular trunnion allowing one body to be installed for top and bottom connections
- U/L listed
- approved by New York City Board of Standards and Appeals
- maximum operating pressure: **250 PSI** at 70°F (21°C)
- bodies require wall plate **WP2** see page 578

Outlet Female NPT	(2) Inlets Female NPT	Brass Part #	Price
4"	2½"	<b>4025REV90</b>	<b>\$844.35</b>
4"	3"	<b>4030REV90</b>	<b>766.70</b>



**Dimensions**



## Reversible Concealed Angle Siamese Body

**Features:**

- design is fully reversible with a perpendicular trunnion allowing one body to be installed for top and bottom connections
- replaces 23-391 bodies
- maximum operating pressure: **250 PSI** at 70°F (21°C)

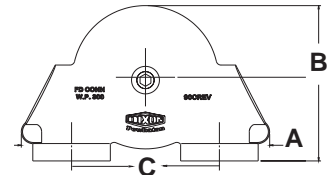
Outlet Female NPT	(2) Inlets Female NPT	Brass Part #	Price
5"	2½"	<b>90CREV5025</b>	<b>\$1321.00</b>
5"	3"	<b>90CREV5030</b>	<b>1575.00</b>
6"	2½"	<b>90CREV6025</b>	<b>1321.00</b>
6"	3"	<b>90CREV6030</b>	<b>1321.00</b>



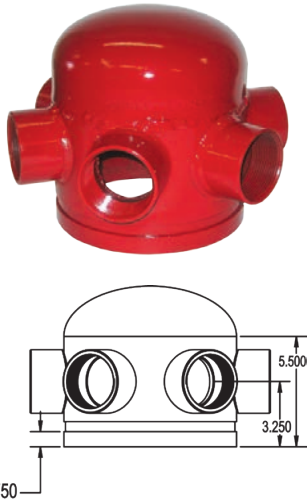
**P**

**Dimensions**

Size	A	B	C
5" x 3" x 3"	12"	9½"	7⅝"
6" x 2½" x 2½"	12"	7¼"	7⅝"
6" x 3" x 3"	12"	9½"	7⅝"



## Pump Test Headers



**Features:**

- available connections: grooved, flanged and threaded
- certified D1, G1, G6
- other sizes, configurations available, consult Dixon™ for information

End Connection	End Size	# of Outlets	Pump Size Maximum GPM	Part #	Price	Wt. Lbs.
150# flanged	3"	1	300	<b>HVF0301-25</b>	<b>\$454.35</b>	15.0
150# flanged	4"	2	500	<b>HVF0402-25</b>	<b>749.15</b>	20.8
150# flanged	6"	3	750	<b>HVF0603-25</b>	<b>1126.80</b>	34.9
150# flanged	6"	4	1000	<b>HVF0604-25</b>	<b>1263.50</b>	35.9
150# flanged	6"	6	1000	<b>HVF0606-25</b>	<b>1537.05</b>	37.9
150# flanged	8"	6	2000	<b>HVF0806-25</b>	<b>1966.25</b>	57.8
grooved	6"	3	750	<b>HVG0603-25</b>	<b>808.15</b>	18.6
grooved	6"	4	1000	<b>HVG0604-25</b>	<b>945.00</b>	19.6
grooved	8"	3	750	<b>HVG0803-25</b>	<b>1008.30</b>	28.0
grooved	8"	6	2000	<b>HVG0806-25</b>	<b>1453.80</b>	30.9

## Wall Plate for Double Clapper Siamese Assemblies

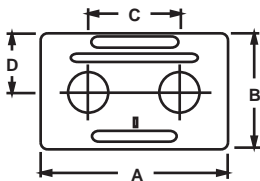
**Features:**

- finishes: -P polished, -C polished chrome plated
- 4-hole and 6-hole wall plates available, consult Dixon™ for information



Hole Size	Branding	Brass Part #	Price
3 3/8"	AutoSprinkler	<b>WP2HAS-P</b>	<b>\$240.90</b>
	AutoSprinkler	<b>WP2HAS-C</b>	<b>287.15</b>
3 3/8"	StandPipe	<b>WP2HSP-P</b>	<b>240.90</b>
	StandPipe	<b>WP2HSP-C</b>	<b>287.15</b>
3 3/8"	AutoSprinkler StandPipe Combo	<b>WP2H-ASSP-P</b>	<b>240.90</b>
	AutoSprinkler StandPipe Combo	<b>WP2H-ASSP-C</b>	<b>287.15</b>
3 3/8"	Hydrant	<b>WP2H-HY-P</b>	<b>240.95</b>
	Hydrant	<b>WP2H-HY-C</b>	<b>287.15</b>
3 3/8"	PumpTest	<b>WP2H-PT-P</b>	<b>240.90</b>
	PumpTest	<b>WP2H-PT-C</b>	<b>287.15</b>

**Dimensions**

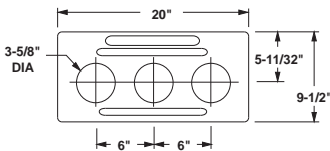


Hole Size	A	B	C	D
3-3/8"	14"	8"	7 5/8"	4-15/16"

## Wall Plate for Concealed Three Way Bodies

**Features:**

- finishes: -P polished, -C polished chrome plated
- 4-hole and 6-hole wall plates available, consult Dixon™ for information



Hole Size	Positioned	Branding	Brass Part #	Price
3 5/8"	Horizontal	AutoSprinkler	<b>WP3HAS-P</b>	<b>\$377.30</b>
	Horizontal	AutoSprinkler	<b>WP3HAS-C</b>	<b>446.10</b>
3 5/8"	Horizontal	StandPipe	<b>WP3HSP-P</b>	<b>377.30</b>
	Horizontal	StandPipe	<b>WP3HSP-C</b>	<b>446.10</b>
3 5/8"	Horizontal	PumpTest	<b>WP3HH-PT-P</b>	<b>377.30</b>
	Horizontal	AutoSprinkler StandPipe Combo	<b>WP3HH-ASSP-C</b>	<b>446.10</b>
3 5/8"	Vertical	AutoSprinkler StandPipe Combo	<b>WP3HV-ASSP-P</b>	<b>377.30</b>
	Horizontal	PumpTest	<b>WP3HH-PT-C</b>	<b>446.10</b>
3 5/8"	Vertical	PumpTest	<b>WP3HV-PT-P</b>	<b>377.30</b>
	Vertical	PumpTest	<b>WP3HV-PT-C</b>	<b>No Match!</b>

## Spring Check Type Snoots - Pin Lug

**Features:**

- finishes: -P polished, -C polished chrome plated
- other configurations are also available, consult Dixon™ for information
- maximum operating pressure: **175 PSI** at 70°F (21°C)

### female outlet

**Features:**

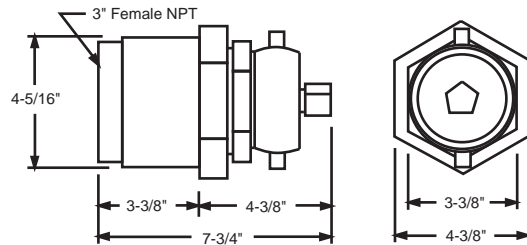
- female NPT rigid with hexagon by female hose thread to swivel
- connections are attached to the 25-416 or 25-417 bodies with pipe nipples (not included)

Outlet Female NPT	Inlet Female NST (NH)	Cast Brass Part #	Price
3"	2½"	<b>CSSTF25F30T-P</b>	<b>\$448.30</b>
3"	2½"	<b>CSSTF25F30T-C</b>	<b>630.95</b>
3"	3"	<b>CSSTF30F30T-P</b>	<b>542.45</b>



polished chrome plated

**Dimensions**



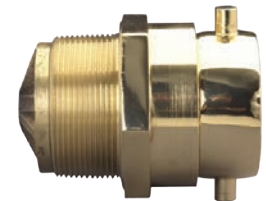
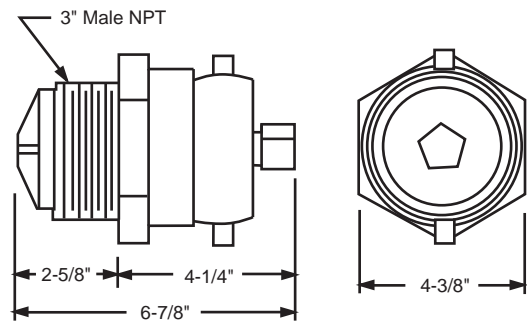
### male outlet

**Features:**

- male NPT x 2½" female hose thread to swivel
- used when a direct connection to 25-416 or 25-417 bodies is desired

Outlet Male NPT	Inlet Female NST (NH)	Cast Brass Part #	Price
3"	2½"	<b>CSSTM25F30T-P</b>	<b>\$527.20</b>
3"	2½"	<b>CSSTM25F30T-C</b>	<b>567.65</b>

**Dimensions**



polished

P

- Under no circumstances should a 25-289 check snoot be installed directly into a pipe, as this may prevent the snoot from opening. Install directly into the appropriate standpipe body only.



## UL Clapper Type Snoots - Pin Lug

**Features:**

- finishes: -P polished, -C polished chrome plated
- other sizes and threads are available, consult Dixon™ for information



polished

Outlet Female NPT	Inlet Female NST (NH)	Cast Brass Part #	Price
3"	2½"	<b>CSCTF25F30T-P</b>	<b>\$270.05</b>
3"	2½"	<b>CSCTF25F30T-C</b>	<b>282.40</b>



polished chrome plated

Outlet Male NPT	Inlet Female NST (NH)	Cast Brass Part #	Price
3"	2½"	<b>CSCTM25F30T-P</b>	<b>\$270.05</b>
3"	2½"	<b>CSCTM25F30T-C</b>	<b>282.40</b>

## Single Male Outlet with Hex (open snoot)

**Application:**

- used to connect fire hose to a standpipe or sprinkler system

**Features:**

- finishes: -P polished, -C polished chrome plated
- other sizes and threads are available, consult Dixon™ for information
- other configurations are available, contact Dixon™ for information



polished

Female NPT	Male	Cast Brass Part #	Price
2½"	2½" NST (NH)	<b>MOC250F-P</b>	<b>\$149.85</b>
	2½" NST (NH)	<b>MOC250F-C</b>	<b>170.00</b>
3"	2½" NST (NH)	<b>MOC3025F-P</b>	<b>204.55</b>
	2½" NST (NH)	<b>MOC3025F-C</b>	<b>219.70</b>
	3" NST (NH)	<b>MOC300F-P</b>	<b>174.75</b>



polished chrome plated

Female NPT	Male Thread	Cast Brass Part #	Price
2½"	2½" NYC	<b>MOC250NYC-P</b>	<b>\$149.85</b>
2½"	2½" NYFD	<b>MOC250NYFD-P</b>	<b>149.85</b>

P

## Brass Replacement Swivels and Accessories

### Features:

- replacement brass swivels for Dixon™ fire department connections
- finish: -P polished, -C polished chrome plated
- swivel comes with gasket, set screw and ball bearings needed to install on FDC
- other configurations are available, contact Dixon™ for information

Size	Female Thread	Brass Part #	Price
2½"	NPSH (2.84x8)	<b>PSNP250S</b>	<b>\$103.25</b>
2½"	NST (NH) (3.07x7.5)	<b>PSNP250NST</b>	<b>103.25</b>
2½"	NYC/BA (3.00x8)	<b>PSNP250NYC</b>	<b>103.25</b>
2½"	NYFD (3.03x8)	<b>PSNP250NYFD</b>	<b>103.25</b>
2½"	CSA (3.125x5)	<b>PSNP2503.125x5</b>	<b>POR</b>
2½"	QST (3.031x7)	<b>PSNP2503.03x7</b>	<b>POR</b>
2½"	WCT (3.25x6)	<b>PSNP2503.25x6</b>	<b>POR</b>
2½"	PITT 6 (3.06x6)	<b>PSNP2503.06x6</b>	<b>POR</b>
3"	NST (NH)	<b>PSNP300NST</b>	<b>132.10</b>
3"	NYFD	<b>PSNP300NYFD</b>	<b>132.10</b>



- 2½" requires 50 ball bearings, 3" requires 58 ball bearings

### Replacement Parts

Description	Part #	Price
2½" gasket	<b>SW250</b>	<b>\$3.25</b>
3" gasket	<b>SW300F</b>	<b>6.85</b>
ball bearings	<b>46-003-00001</b>	<b>0.35</b>
set screw	<b>46-011-00418</b>	<b>2.15</b>

## Screw Pitch Gauge

### Features:

- used to determine threads per inch
- 30 leaves

Stainless Steel Part #	Price
<b>TPG</b>	<b>\$224.25</b>



P

## Brass Double Male Hex Nipples

**Feature:**

- other configurations are also available, consult Dixon™ for information

Male Thread	Male Thread	Cast Brass Part #	Price
¾" NPT	1½" NPSH	<b>DMH7515</b>	<b>\$61.25</b>
¾" NPT	1½" NST (NH)	<b>DMH7515F</b>	<b>66.55</b>
1" NPT	¾" GHT	<b>DMH1076</b>	<b>13.15</b>
1" NPT	1" NPSH	<b>DMH1010</b>	<b>12.50</b>
1" NPT	1" NST (NH)	<b>DMH1010F</b>	<b>12.50</b>
1" NPT	1" NPT	<b>DMH1010T</b>	<b>56.95</b>
1" NPT	1½" NPSH	<b>DMH1015</b>	<b>69.65</b>
1" NPT	1½" NST (NH)	<b>DMH1015F</b>	<b>69.65</b>
1" NPT	2½" NST (NH)	<b>DMH1025F</b>	<b>161.80</b>
1½" NPSH	1½" NPSH	<b>DMH15S15S</b>	<b>81.50</b>
1½" NPT	1" NPSH	<b>DMH1510</b>	<b>75.25</b>
1½" NPT	1" NST (NH)	<b>DMH1510F</b>	<b>75.25</b>
1½" NPT	1¼" NPSH	<b>DMH1512</b>	<b>121.70</b>
1½" NPT	1½" NPT	<b>DMH1515</b>	<b>20.70</b>
1½" NPT	1½" NPT	<b>DMH1515T</b>	<b>37.30</b>
1½" NPT	1½" NST (NH)	<b>DMH1515F</b>	<b>18.95</b>
1½" NPT	2" NPSH	<b>DMH1520</b>	<b>61.15</b>
1½" NPT	2½" NST (NH)	<b>DMH1525F</b>	<b>63.00</b>
1½" NST (NH)	1½" NPSH	<b>DMH15F15S</b>	<b>23.15</b>
1½" NST (NH)	1½" NST (NH)	<b>DMH15F15F</b>	<b>23.15</b>
1½" NST (NH)	2½" NST (NH)	<b>DMH15F25F</b>	<b>63.00</b>
2" NPT	1½" NPSH	<b>DMH2015</b>	<b>46.00</b>
2" NPT	1½" NST (NH)	<b>DMH2015F</b>	<b>39.30</b>
2" NPT	2" NPSH	<b>DMH2020</b>	<b>43.35</b>
2" NPT	2½" NPSH	<b>DMH2025</b>	<b>63.25</b>
2" NPT	2" NPT	<b>DMH2020T</b>	<b>123.05</b>
2" NPT	2½" NST (NH)	<b>DMH2025F</b>	<b>50.60</b>
2½" NPT	1½" NPSH	<b>DMH2515</b>	<b>168.40</b>
2½" NPT	1½" NST (NH)	<b>DMH2515F</b>	<b>85.25</b>
2½" NPT	2" NPSH	<b>DMH2520</b>	<b>113.00</b>
2½" NPT	2½" NPSH	<b>DMH2525</b>	<b>54.15</b>
2½" NPT	2½" NST (NH)	<b>DMH2525F</b>	<b>53.60</b>
2½" NPT	2½" NPT	<b>DMH2525T</b>	<b>118.20</b>
2½" NPT	3" NPSH	<b>DMH2530</b>	<b>208.95</b>
2½" NPT	3" NPT	<b>DMH2530T</b>	<b>215.00</b>
2½" NPT	3" NST (NH)	<b>DMH2530F</b>	<b>208.95</b>
2½" NST (NH)	2½" NST (NH)	<b>DMH25F25F</b>	<b>52.40</b>
2½" NST (NH)	3" NST (NH)	<b>DMH25F30F</b>	<b>215.00</b>
3" NPT	2½" NPSH	<b>DMH3025</b>	<b>105.00</b>
3" NPT	2½" NST (NH)	<b>DMH3025F</b>	<b>99.00</b>
3" NPT	3" NPSH	<b>DMH3030</b>	<b>144.00</b>
3" NPT	3" NST (NH)	<b>DMH3030F</b>	<b>144.00</b>
3" NPT	3" NPT	<b>DMH3030T</b>	<b>170.25</b>
4" NPT	4" NPSH	<b>DMH4040</b>	<b>231.00</b>
4" NST (NH)	4" NST	<b>DMH40F40F</b>	<b>313.90</b>
4" NPT	4" NST (NH)	<b>DMH4040F</b>	<b>219.00</b>
4" NPT	4½" NST (NH)	<b>DMH4045F</b>	<b>235.45</b>
4" NPT	4" NPT	<b>DMH4040T</b>	<b>332.45</b>
5" NPT	5" NST (NH)	<b>DMH5050F</b>	<b>590.00</b>
6" NPT	4½" NST (NH)	<b>DMH6045F</b>	<b>447.00</b>
6" NPT	6" NST (NH)	<b>DMH6060F</b>	<b>482.00</b>
6" NPT	6" NPSH	<b>DMH6060</b>	<b>994.00</b>
6" NPT	6" NPT	<b>DMH6060T</b>	<b>589.25</b>



reducer



same size



increaser

P

- All adapters are made to approved Dixon™ specifications.

## Brass Double Male Adapters Pin Lug

**Feature:**

- other configurations are also available, consult Dixon™ for information

Male Thread	Male Thread	Cast Brass Part #	Price
1½" NST (NH)	1½" NST (NH)	<b>DMP1515F</b>	<b>\$88.05</b>
1½" NST (NH)	1½" NPT	<b>DMP15F15T</b>	<b>88.05</b>
1½" NPSH	1½" NPSH	<b>DMP1515</b>	<b>88.05</b>
1½" NPSH	1½" NPT	<b>DMP15S15T</b>	<b>88.05</b>
1½" NST (NH)	1½" NPSH	<b>DMP15F15S</b>	<b>88.05</b>
2½" NST (NH)	2½" NST (NH)	<b>DMP2525F</b>	<b>159.60</b>
2½" NST (NH)	2½" NPSH	<b>DMP25F25S</b>	<b>159.60</b>
2½" NST (NH)	2½" NPT	<b>DMP25F25T</b>	<b>159.60</b>
2½" NPSH	2½" NPSH	<b>DMP2525</b>	<b>159.60</b>



## Rocker Lug

**Feature:**

- other configurations are also available, consult Dixon™ for information

Male Thread	Male Thread	Cast Brass Part #	Price
1½" NST (NH)	1½" NST (NH)	<b>DMR1515F</b>	<b>\$65.40</b>
1½" NST (NH)	1½" NPT	<b>DMR15F15T</b>	<b>65.40</b>
1½" NST (NH)	1½" NPSH	<b>DMR15F15S</b>	<b>65.40</b>
1½" NPSH	1½" NPSH	<b>DMR1515</b>	<b>65.40</b>
1½" NPSH	1½" NPT	<b>DMR15S15T</b>	<b>65.40</b>
2½" NST (NH)	2½" NST (NH)	<b>DMR2525F</b>	<b>168.00</b>
2½" NPSH	2½" NPSH	<b>DMR2525</b>	<b>168.00</b>



## Domestic Brass Adapters - Hex Double Male Hex

**Feature:**

- other configurations are also available, consult Dixon™ for information

Male Thread	Male Thread	Cast Brass Part #	Price
1" NPT	1" NST (NH)	<b>DMH1010F-D</b>	<b>\$54.30</b>
1" NPT	1½" NST (NH)	<b>DMH1015F-D</b>	<b>69.65</b>
1½" NPT	1½" NPSH	<b>DMH1515-D</b>	<b>74.10</b>
1½" NPT	1½" NST (NH)	<b>DMH1515F-D</b>	<b>74.10</b>
1½" NPT	2½" NST (NH)	<b>DMH1525F-D</b>	<b>134.75</b>
1½" NST (NH)	1½" NST (NH)	<b>DMH15F15F-D</b>	<b>77.35</b>
1½" NST (NH)	1½" NPSH	<b>DMH15F15S-D</b>	<b>78.95</b>
1½" NST (NH)	2½" NST (NH)	<b>DMH15F25F-D</b>	<b>149.85</b>
2" NPT	1½" NST (NH)	<b>DMH2015F-D</b>	<b>59.85</b>
2" NPT	2" NPSH	<b>DMH2020-D</b>	<b>85.00</b>
2" NPT	2½" NST (NH)	<b>DMH2025F-D</b>	<b>110.75</b>
2½" NPT	1½" NST (NH)	<b>DMH2515F-D</b>	<b>145.85</b>
2½" NPT	2½" NST (NH)	<b>DMH2525F-D</b>	<b>145.85</b>
2½" NST (NH)	2½" NST (NH)	<b>DMH25F25F-D</b>	<b>145.85</b>
3" NPT	2½" NST (NH)	<b>DMH3025F-D</b>	<b>237.90</b>
3" NPT	3" NST (NH)	<b>DMH3030F-D</b>	<b>243.20</b>
4" NPT	4½" NST (NH)	<b>DMH4045F-D</b>	<b>435.00</b>
6" NPT	6" NST (NH)	<b>DMH6060F-D</b>	<b>994.00</b>



reducer



same size



increaser

- All adapters are made to approved Dixon™ specifications.



## Brass Double Male Hex Adapters (New York Threads)

**Feature:**

- other configurations are also available, consult Dixon™ for information



reducer



same size



increaser

Male	Male NYC	Cast Brass Part #	Price
1½" NPT	1½"	<i>DMH1515NYC</i>	<b>\$54.70</b>
2" NPT	2½"	<i>DMH2025NYC</i> <b>NEW</b>	<b>98.80</b>
2½" NPT	2½"	<i>DMH2525NYC</i>	<b>53.60</b>
2½" NST	2½"	<i>DMH25F25NYC</i>	<b>116.85</b>
2½" NYC	2½"	<i>DMH25NYC25NYC</i> <b>NEW</b>	<b>104.50</b>

Male	Male NYFD	Cast Brass Part #	Price
1½" NPT	1½"	<i>DMH1515NYFD</i>	<b>\$26.15</b>
1½" NST	1½"	<i>DMH15F15NYFD</i>	<b>57.30</b>
1½" NPT	2½"	<i>DMH1525NYFD</i> <b>NEW</b>	<b>124.10</b>
2" NPT	2½"	<i>DMH2025NYFD</i>	<b>111.20</b>
2½" NPT	1½"	<i>DMH2515NYFD</i>	<b>137.50</b>
2½" NYFD	1½"	<i>DMH25NYFD15NYFD</i> <b>NEW</b>	<b>49.45</b>
2½" NPT	2½"	<i>DMH2525NYFD</i>	<b>53.60</b>

Male NYFD	Male NPT	Cast Brass Part #	Price
2½"	2"	<i>DMH25NYFD20T</i>	<b>\$32.60</b>

Male NST (NH)	Male NYFD	Cast Brass Part #	Price
2½"	2½"	<i>DMH25F25NYFD</i>	<b>\$118.00</b>

Male NYFD	Male NYFD	Cast Brass Part #	Price
1½"	1½"	<i>DMH15NYFD15NYFD</i>	<b>\$81.50</b>
2½"	2½"	<i>DMH25NYFD25NYFD</i>	<b>118.00</b>

- NYFD thread: 3.031 x 8 TPI
- NYC thread: 3.00 x 8 TPI

- All adapters are made to approved Dixon™ specifications.

P

## Aluminum Double Male Northline Adapters - Rocker Lug Style N36

### Male NST x Male

Male NST Thread	Male Thread	Aluminum Extrusion - Anodized Part #	Price
1"	1" NST	<b>N36-10F10F</b>	<b>\$76.40</b>
1½"	1½" NST	<b>N36-15F15F</b>	<b>74.20</b>
1½"	2" NPT	<b>N36-15F20T</b>	<b>79.25</b>
1½"	2½" NST	<b>N36-15F25F</b>	<b>85.50</b>
2½"	2½" NST	<b>N36-25F25F</b>	<b>82.00</b>
2½"	3" NST	<b>N36-25F30F</b>	<b>113.10</b>
2½"	3" NPT	<b>N36-25F30T</b>	<b>113.10</b>
2½"	4" NST	<b>N36-25F40F</b>	<b>212.05</b>
2½"	4" NPT	<b>N36-25F40T</b>	<b>214.90</b>
2½"	4½" NST	<b>N36-25F45F</b>	<b>230.10</b>
3"	3" NST	<b>N36-30F30F</b>	<b>129.85</b>
4"	4" NST	<b>N36-40F40F</b>	<b>219.40</b>
4½"	4½" NST	<b>N36-45F45F</b>	<b>224.80</b>
6"	6" NST	<b>N36-60F60F</b>	<b>349.40</b>



same size

### Male NPT x Male

Male NPT Thread	Male Thread	Aluminum Extrusion - Anodized Part #	Price
1½"	1½" NST	<b>N36-15T15F</b>	<b>\$78.15</b>
1½"	2½" NST	<b>N36-15T25F</b>	<b>101.00</b>
2"	2" NPT	<b>N36-20T20T</b>	<b>88.05</b>
2"	2½" NST	<b>N36-20T25F</b>	<b>116.50</b>
2½"	2½" NST	<b>N36-25T25F</b>	<b>108.10</b>
2½"	3" NPT	<b>N36-25T30T</b>	<b>108.10</b>
2½"	4" NPT	<b>N36-25T40T</b>	<b>212.85</b>
3"	3" NST	<b>N36-30T30F</b>	<b>129.85</b>
4"	4" NST	<b>N36-40T40F</b>	<b>219.40</b>
4"	4½" NST	<b>N36-40T45F</b>	<b>223.65</b>
5"	6" NPT	<b>N36-50T60T</b>	<b>345.90</b>
6"	6" NST	<b>N36-60T60F</b>	<b>349.40</b>



increaser

### Male NPSH x Male

Male NPSH Thread	Male Thread	Aluminum Extrusion - Anodized Part #	Price
1"	1" NPSH	<b>N36-10S10S</b>	<b>\$76.40</b>
1½"	1½" NST	<b>N36-15S15F</b>	<b>108.60</b>
1½"	1½" NPSH	<b>N36-15S15S</b>	<b>80.00</b>
1½"	1½" NPT	<b>N36-15S15T</b>	<b>87.35</b>
1½"	2" NPSH	<b>N36-15S20S</b>	<b>93.15</b>
2½"	2½" NST	<b>N36-25S25F</b>	<b>108.10</b>
2½"	2½" NPSH	<b>N36-25S25S</b>	<b>108.10</b>

P

- All adapters are made to approved Dixon™ specifications.

## Brass Hydrant Adapters - Pin Lug

**Feature:**

- other configurations are also available, consult Dixon™ for information



reducer



same size



increaser

Female Thread	Male Thread	Cast Brass Part #	Price
1½" NPSH	¾" GHT	HA15S76	\$23.70
1½" NPSH	¾" NPSH	HA15S75	84.30
1½" NPSH	¾" NPT	HA15S75T	84.30
1½" NPSH	1" NPSH	HA15S10S	85.85
1½" NPSH	1" NPT	HA15S10T	85.85
1½" NPSH	1½" NPT	HA15S15T	40.75
1½" NPSH	1½" NST (NH)	HA15S15F	40.75
1½" NPT	1½" NPSH	HA15T15S	74.50
1½" NPT	1½" NST (NH)	HA15T15F	6.20
1½" NST (NH)	¾" GHT	HA1576	20.60
1½" NST (NH)	¾" NPSH	HA1575	85.65
1½" NST (NH)	¾" NPT	HA1575T	33.50
1½" NST (NH)	1" NPSH	HA1510	43.25
1½" NST (NH)	1" NST (NH)	HA1510F	40.75
1½" NST (NH)	1" NPT	HA1510T	40.75
1½" NST (NH)	1½" NPSH	HA1515	40.75
1½" NST (NH)	1½" NPT	HA1515T	40.75
1½" NST (NH)	1½" NST (NH)	HA1515F	40.75
1½" NST (NH)	2½" NST (NH)	HA1525F	142.45
2" NPSH	1½" NPSH	HA20S15S	101.35
2" NPSH	1½" NPT	HA20S15T	101.35
2" NPSH	1½" NST (NH)	HA20S15F	36.40
2" NPSH	2½" NST (NH)	HA20S25F	80.10
2" NPT	2½" NST (NH)	HA20T25F	80.10
2" NST (NH)	2½" NST (NH)	HA2025F	132.00
2½" NPSH	1" NPT	HA25S10T	36.40
2½" NPSH	1½" NPSH	HA25S15S	115.00
2½" NPSH	1½" NPT	HA25S15T	115.00
2½" NPSH	1½" NST (NH)	HA25S15F	37.90
2½" NPSH	2½" NST (NH)	HA25S25F	72.85
2½" NST (NH)	¾" GHT	HA2576	29.35
2½" NST (NH)	¾" NPT	HA2575T	29.35
2½" NST (NH)	1" NPSH	HA2510	32.35
2½" NST (NH)	1" NST (NH)	HA2510F	32.35
2½" NST (NH)	1" NPT	HA2510T	30.35
2½" NST (NH)	1½" NPSH	HA2515	30.00
2½" NST (NH)	1½" NST (NH)	HA2515F	29.70
2½" NST (NH)	1½" NPT	HA2515T	30.00
2½" NST (NH)	2" NPSH	HA2520	50.95
2½" NST (NH)	2" NST (NH)	HA2520F	50.95
2½" NST (NH)	2" NPT	HA2520T	28.80
2½" NST (NH)	2½" NPSH	HA2525	69.85
2½" NST (NH)	2½" NST (NH)	HA2525F	69.85
2½" NST (NH)	2½" NPT	HA2525T	69.85
2½" NST (NH)	3" NPSH	HA2530	108.00
2½" NST (NH)	3" NST (NH)	HA2530F	108.00
2½" NST (NH)	3" NPT	HA2530T	108.00
3" NPSH	2½" NST (NH)	HA30S25F	82.10
3" NPSH	2½" NPSH	HA30S25S	212.20
3" NPSH	2½" NPT	HA30S25T	178.10
3" NST (NH)	1½" NPSH	HA3015S	181.00
3" NST (NH)	1½" NST (NH)	HA3015F	196.20
4" NST (NH)	2½" NST (NH)	HA4025F	145.35
4½" NST (NH)	2½" NST (NH)	HA4525F	218.50

- All adapters are made to approved Dixon™ specifications.

## Brass Hydrant Adapters - Pin Lugs (New York Threads)

**Features:**

- NYFD thread = 3.031 x 8 TPI
- NYC thread = 3.00 x 8 TPI
- other configurations are also available, consult Dixon™ for information

Female NYFD	Male Thread	Cast Brass Part #	Price
1½"	¾" GHT	<b>HA15NYFD76</b>	<b>\$46.85</b>
1½"	1½" NPT	<b>HA15NYFD15T</b>	<b>107.55</b>
2½"	¾" NPT	<b>HA25NYFD75T</b>	<b>107.55</b>
2½"	¾" GHT	<b>HA25NYFD76</b>	<b>34.15</b>
2½"	1½" NPSH	<b>HA25NYFD15S</b>	<b>39.75</b>
2½"	1½" NST (NH)	<b>HA25NYFD15F</b>	<b>39.75</b>
2½"	1½" NPT	<b>HA25NYFD15T</b>	<b>129.15</b>
2½"	1½" NYFD	<b>HA25NYFD15NYFD</b>	<b>39.75</b>
2½"	2" NPT	<b>HA25NYFD20T</b>	<b>35.75</b>
2½"	2½" NST (NH)	<b>HA25NYFD25F</b>	<b>58.90</b>



reducer



same size



increaser

Female NYC	Male Thread	Cast Brass Part #	Price
2½"	¾" NPT	<b>HA25NYC75T</b>	<b>\$109.60</b>
2½"	¾" GHT	<b>HA25NYC76</b>	<b>118.20</b>
2½"	1" NPT	<b>HA25NYC10T</b>	<b>125.85</b>
2½"	1½" NPT	<b>HA25NYC15T</b>	<b>129.15</b>
2½"	1½" NST (NH)	<b>HA25NYC15F</b>	<b>129.15</b>
2½"	2" NPT	<b>HA25NYC20T</b>	<b>35.75</b>

## Brass Hazmat Adapters - Pin Lugs

**Feature:**

- divides single stream into double stream

Female NST	Male Thread	Cast Brass Part #	Price
1½"	(2) GHT	<b>HHA1576</b>	<b>\$47.70</b>
2½"	(2) GHT	<b>HHA2576</b>	<b>56.45</b>



P

## Brass Hydrant Adapters - Rocker Lug

### Features:

- finishes: -C polished chrome plated
- other configurations are also available, consult Dixon™ for information



reducer



reducer - chrome plated



same size

Female Thread	Male Thread	Cast Brass Part #	Price
1½"NH	¾" GHT	<b>RHA1576</b>	<b>\$79.90</b>
1½" NPSH	¾" NPT	<b>RHA15S75T</b>	<b>81.85</b>
1½"NH	1" NPSH	<b>RHA1510</b>	<b>46.60</b>
1½" NST (NH)	1" NST (NH)	<b>RHA1510F</b>	<b>46.60</b>
1½" NST (NH)	1" NPT	<b>RHA1510T</b>	<b>46.60</b>
1½" NPSH	1" NPSH	<b>RHA15S10</b>	<b>47.50</b>
1½" NPSH	1" NPT	<b>RHA15S10T</b>	<b>49.90</b>
1½" NST (NH)	1½" NPSH	<b>RHA1515</b>	<b>55.80</b>
1½" NST (NH)	1½" NST (NH)	<b>RHA1515F</b>	<b>55.80</b>
1½" NST (NH)	1½" NPT	<b>RHA1515T</b>	<b>55.80</b>
1½" NPSH	1½" NST (NH)	<b>RHA15S15F</b>	<b>55.80</b>
1½" NPSH	1½" NPT	<b>RHA15S15T</b>	<b>113.00</b>
1½" NPT	1½" NST (NH)	<b>RHA15T15F</b>	<b>55.80</b>
1½" NST (NH)	2" NPSH	<b>RHA1520</b>	<b>113.00</b>
1½" NST (NH)	2½" NST (NH)	<b>RHA1525F</b>	<b>76.80</b>
2" NST (NH)	2½" NST (NH)	<b>RHA2025F</b>	<b>132.30</b>
2½" NST (NH)	¾" GHT	<b>RHA2576</b>	<b>36.85</b>
2½" NST (NH)	1" NPSH	<b>RHA2510</b>	<b>49.15</b>
2½" NST (NH)	1" NST (NH)	<b>RHA2510F</b>	<b>49.15</b>
2½" NST (NH)	1" NPT	<b>RHA2510T</b>	<b>49.15</b>
2½" NST (NH)	1½" NPSH	<b>RHA2515</b>	<b>35.50</b>
2½" NST (NH)	1½" NST (NH)	<b>RHA2515F</b>	<b>35.50</b>
2½" NST (NH)	1½" NST (NH)	<b>RHA2515F-C</b>	<b>14.80</b>
2½" NST (NH)	1½" NPT	<b>RHA2515T</b>	<b>75.85</b>
2½" NPSH	1½" NPSH	<b>RHA25S15</b>	<b>40.25</b>
2½" NPSH	1½" NST (NH)	<b>RHA25S15F</b>	<b>40.25</b>
2½" NST (NH)	2" NST (NH)	<b>RHA2520F</b>	<b>144.90</b>
2½" NST (NH)	2" NPT	<b>RHA2520T</b>	<b>51.25</b>
2½" NST (NH)	2½" NPT	<b>RHA2525T</b>	<b>130.00</b>
2½" NPSH	2½" NST (NH)	<b>RHA25S25F</b>	<b>130.00</b>
2½" NPT	2½" NST (NH)	<b>RHA25T25F</b>	<b>130.00</b>
2½" NST (NH)	3" NPT	<b>RHA2530T</b>	<b>159.80</b>
3" NST (NH)	2½" NST (NH)	<b>RHA3025F</b>	<b>160.00</b>

- All adapters are made to approved Dixon™ specifications.

## Aluminum Female x Male Adapters - Long Handle

### Style N56



Female NST Thread	Male NST Thread	Aluminum Extrusion - Anodized Part #	Price
4"	2½"	<b>N56-40F25F</b>	<b>\$261.65</b>
4"	4½"	<b>N56-40F45F</b>	<b>272.10</b>
4½"	4"	<b>N56-45F40F</b>	<b>364.05</b>
5"	2½"	<b>N56-50F25F</b>	<b>412.95</b>
6"	4½"	<b>N56-60F45F</b>	<b>435.30</b>
6"	5"	<b>N56-60F50F</b>	<b>465.15</b>
6"	6"	<b>N56-60F60T</b>	<b>498.75</b>

## Aluminum Female x Male Adapters - Rocker Lug Style N37

Female Thread	Male Thread	Aluminum Extrusion - Anodized Part #	Price
3/4" GHT	1" NST	<b>N37-07G10F</b>	<b>\$86.45</b>
3/4" GHT	1" NPSH	<b>N37-07G10S</b>	<b>86.45</b>
3/4" GHT	1" NPT	<b>N37-07G10T</b>	<b>86.45</b>
3/4" GHT	1 1/2" NST	<b>N37-07G15F</b>	<b>104.40</b>
3/4" GHT	1 1/2" NPSH	<b>N37-07G15S</b>	<b>104.40</b>
1" NST	3/4" GHT	<b>N37-10F07G</b>	<b>71.90</b>
1" NST	1" NPSH	<b>N37-10F10S</b>	<b>71.90</b>
1" NST	1" NPT	<b>N37-10F10T</b>	<b>71.90</b>
1" NST	1 1/2" NST	<b>N37-10F15F</b>	<b>95.15</b>
1" NST	1 1/2" NPSH	<b>N37-10F15S</b>	<b>95.15</b>
1" NST	2 1/2" NST	<b>N37-10F25F</b>	<b>151.70</b>
1" NPSH	3/4" GHT	<b>N37-10S07G</b>	<b>78.50</b>
1" NPSH	3/4" NPSH	<b>N37-10S07S</b>	<b>78.50</b>
1" NPSH	1" NST	<b>N37-10S10F</b>	<b>78.50</b>
1" NPSH	1" NPSH	<b>N37-10S10T</b>	<b>78.50</b>
1" NPSH	1 1/2" NST	<b>N37-10S15F</b>	<b>78.50</b>
1" NPSH	1 1/2" NPSH	<b>N37-10S15S</b>	<b>78.50</b>
1" NPSH	2 1/2" NST	<b>N37-10S25F</b>	<b>105.00</b>
1" NPT	1" NST	<b>N37-10T10F</b>	<b>71.90</b>
1 1/2" NST	3/4" GHT	<b>N37-15F07G</b>	<b>104.40</b>
1 1/2" NST	3/4" NPT	<b>N37-15F07T</b>	<b>104.40</b>
1 1/2" NST	1" NST	<b>N37-15F10F</b>	<b>127.00</b>
1 1/2" NST	1" NPSH	<b>N37-15F10S</b>	<b>127.00</b>
1 1/2" NST	1" NPT	<b>N37-15F10T</b>	<b>127.00</b>
1 1/2" NST	1 1/2" NST	<b>N37-15F15F</b>	<b>127.00</b>
1 1/2" NST	1 1/2" NPSH	<b>N37-15F15S</b>	<b>127.00</b>
1 1/2" NST	1 1/2" NPT	<b>N37-15F15T</b>	<b>127.00</b>
1 1/2" NST	2" NPT	<b>N37-15F20T</b>	<b>127.00</b>
1 1/2" NST	2 1/2" NST	<b>N37-15F25F</b>	<b>104.60</b>
1 1/2" NPSH	3/4" GHT	<b>N37-15S07G</b>	<b>127.00</b>
1 1/2" NPSH	1" NST	<b>N37-15S10F</b>	<b>127.00</b>
1 1/2" NPSH	1 1/2" NST	<b>N37-15S15F</b>	<b>127.00</b>
1 1/2" NPSH	1 1/2" NPT	<b>N37-15S15T</b>	<b>127.00</b>
1 1/2" NPSH	2" NPT	<b>N37-15S20T</b>	<b>127.00</b>
1 1/2" NPT	1 1/2" NST	<b>N37-15T15F</b>	<b>127.00</b>
1 1/2" NPT	1 1/2" NPSH	<b>N37-15T15S</b>	<b>127.00</b>
1 1/2" NPT	2 1/2" NST	<b>N37-15T25F</b>	<b>145.35</b>
2" NPSH	3/4" GHT	<b>N37-20S07G</b>	<b>185.35</b>
2" NPSH	1 1/2" NST	<b>N37-20S15F</b>	<b>127.00</b>
2" NPSH	1 1/2" NPSH	<b>N37-20S15S</b>	<b>127.00</b>
2" NPSH	2" NPT	<b>N37-20S20T</b>	<b>127.00</b>
2" NPSH	2 1/2" NST	<b>N37-20S25F</b>	<b>127.00</b>
2" NPT	1 1/2" NST	<b>N37-20T15F</b>	<b>127.00</b>
2" NPT	1 1/2" NPSH	<b>N37-20T15S</b>	<b>127.00</b>
2" NPT	1 1/2" NPT	<b>N37-20T15T</b>	<b>127.00</b>
2" NPT	2 1/2" NST	<b>N37-20T25F</b>	<b>127.00</b>



reducer



same size



increaser

- All adapters are made to approved Dixon™ specifications.

## Aluminum Female x Male Adapters - Rocker Lug (continued) Style N37

Female Thread	Male Thread	Aluminum Extrusion - Anodized Part #	Price
2½" NST	¾"	<b>N37-25F07G</b>	<b>\$127.00</b>
2½" NST	¾"	<b>N37-25F07T</b>	127.00
2½" NST	1"	<b>N37-25F10T</b>	145.35
2½" NST	1½"	<b>N37-25F15F</b>	127.00
2½" NST	1½"	<b>N37-25F15S</b>	127.00
2½" NST	1½"	<b>N37-25F15T</b>	127.00
2½" NST	2"	<b>N37-25F20T</b>	127.00
2½" NST	2½"	<b>N37-25F25F</b>	127.00
2½" NST	2½"	<b>N37-25F25S</b>	127.00
2½" NST	2½"	<b>N37-25F25T</b>	127.00
2½" NST	3"	<b>N37-25F30F</b>	127.00
2½" NST	3"	<b>N37-25F30T</b>	127.00
2½" NPSH	1½"	<b>N37-25S15F</b>	127.00
2½" NPSH	1½"	<b>N37-25S15S</b>	145.35
2½" NPSH	2½"	<b>N37-25S25F</b>	127.00
2½" NPSH	2½"	<b>N37-25S25T</b>	127.00
2½" NPT	1½"	<b>N37-25T15S</b>	145.35
2½" NPT	2½"	<b>N37-25T25F</b>	127.00
2½" NPT	3"	<b>N37-25T30T</b>	144.30
3" NST	1½"	<b>N37-30F15F</b>	160.95
3" NST	2"	<b>N37-30F20T</b>	160.95
3" NST	2½"	<b>N37-30F25F</b>	160.95
3" NST	3"	<b>N37-30F30T</b>	129.25
3" NPSH	1½"	<b>N37-30S15S</b>	132.25
3" NPSH	2½"	<b>N37-30S25F</b>	144.30
3" NPT	2½"	<b>N37-30T25F</b>	144.30
3" NPT	2½"	<b>N37-30T25T</b>	144.30
4" NST	2½"	<b>N37-40F25F</b>	284.15
4" NST	4"	<b>N37-40F40F</b>	212.40
4" NST	4"	<b>N37-40F40S</b>	212.40
4" NST	4"	<b>N37-40F40T</b>	212.40
4" NST	6"	<b>N37-40F60F</b>	237.80
4" NPT	2½"	<b>N37-40T25F</b>	284.15
4" NPT	2½"	<b>N37-40T25T</b>	284.15
4" NPT	4"	<b>N37-40T40F</b>	212.40
4" NPT	4½"	<b>N37-40T45F</b>	212.40
4" NST	2½"	<b>N37-45F25F</b>	254.85
4" NST	4"	<b>N37-45F40F</b>	236.70
4" NST	4"	<b>N37-45F40T</b>	236.70
4" NST	5"	<b>N37-45F50F</b>	236.70
4" NST	4½"	<b>N37-50F45F</b>	285.50
4" NST	5"	<b>N37-50F50T</b>	297.85
4" NST	6"	<b>N37-50F60F</b>	305.00
4" NPSH	6"	<b>N37-50S60F</b>	305.00
4" NPT	5"	<b>N37-50T50F</b>	351.00
4" NST	4"	<b>N37-60F40T</b>	351.00
4" NST	5"	<b>N37-60F50F</b>	351.00
4" NST	6"	<b>N37-60F60T</b>	290.20
4" NPT	4"	<b>N37-60T40F</b>	270.00
4" NPT	6"	<b>N37-60T60F</b>	315.00



reducer



same size



increaser

P

• All adapters are made to approved Dixon™ specifications.

## Brass Female to Male Hex Nipples

**Feature:**

- other configurations are also available, consult Dixon™ for information

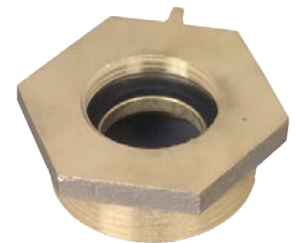
Female Thread	Male Thread	Cast Brass Part #	Price
¾" GHT	1" NPT	<b>FM7610T</b>	<b>\$53.35</b>
1" NPSH	¾" GHT	<b>FM10S76</b>	<b>23.40</b>
1" NPT	¾" GHT	<b>FM1076</b>	<b>20.55</b>
1" NPT	1" NPSH	<b>FM1010</b>	<b>36.60</b>
1" NPT	1" NST (NH)	<b>FM1010F</b>	<b>33.50</b>
1" NST (NH)	1" NPT	<b>FM10F10T</b>	<b>33.50</b>
1" NPT	1½" NPSH	<b>FM1015</b>	<b>69.00</b>
1" NPT	1½" NST (NH)	<b>FM1015F</b>	<b>41.75</b>
1" NPSH	1½" NPT	<b>FM10S15T</b>	<b>69.00</b>
1½" NPT	1½" NPSH	<b>FM1515</b>	<b>21.25</b>
1½" NPT	1½" NST (NH)	<b>FM1515F</b>	<b>20.60</b>
1½" NST (NH)	1½" NPSH	<b>FM15F15S</b>	<b>26.05</b>
1½" NST (NH)	1½" NPT	<b>FM15F15T</b>	<b>18.40</b>
1½" NPSH	1½" NST (NH)	<b>FM15S15F</b>	<b>22.85</b>
1½" NST (NH)	1½" NST (NH)	<b>FM15F15F</b>	<b>26.05</b>
1½" NPSH	1½" NPT	<b>FM15S15T</b>	<b>22.85</b>
1½" NPSH	2" NPT	<b>FM15S20T</b>	<b>74.50</b>
1½" NST (NH)	2" NPT	<b>FM15F20T</b>	<b>37.50</b>
1½" NPT	2½" NST (NH)	<b>FM1525F</b>	<b>67.75</b>
1½" NST (NH)	2½" NPT	<b>FM15F25T</b>	<b>64.15</b>
1½" NST (NH)	2½" NST (NH)	<b>FM15F25F</b>	<b>64.15</b>
1½" NST (NH)	3" NST (NH)	<b>FM15F30F</b>	<b>122.60</b>
1½" NPT	3" NST (NH)	<b>FM1530F</b>	<b>80.00</b>
2" NPSH	1½" NPSH	<b>FM20S15</b>	<b>64.40</b>
2" NPT	1½" NPSH	<b>FM2015</b>	<b>89.25</b>
2" NPSH	1½" NST	<b>FM20S15F</b>	<b>64.40</b>
2" NPT	1½" NST (NH)	<b>FM2015F</b>	<b>28.15</b>
2" NPSH	1½" NPT	<b>FM20S15T</b>	<b>30.60</b>
2" NPSH	2" NPT	<b>FM20S20T</b>	<b>27.35</b>
2" NPT	2" NPSH	<b>FM2020</b>	<b>140.00</b>
2" NPSH	2½" NPT	<b>FM20S25T</b>	<b>55.70</b>
2" NPSH	2½" NST (NH)	<b>FM20S25F</b>	<b>91.10</b>
2" NPT	2½" NST (NH)	<b>FM2025F</b>	<b>81.40</b>
2½" NST (NH)	¾" NPT	<b>FM25F75T</b>	<b>144.55</b>
2½" NST (NH)	1" NPT	<b>FM25F10T</b>	<b>138.05</b>
2½" NPT	1½" NST (NH)	<b>FM2515F</b>	<b>139.00</b>
2½" NST (NH)	1½" NST (NH)	<b>FM25F15F</b>	<b>80.05</b>
2½" NST (NH)	1½" NPT	<b>FM25F15T</b>	<b>80.05</b>
2½" NST (NH)	2" NPT	<b>FM25F20T</b>	<b>52.05</b>
2½" NPT	2½" NPSH	<b>FM2525</b>	<b>63.15</b>
2½" NPT	2½" NST (NH)	<b>FM2525F</b>	<b>53.75</b>



reducer



same size



increaser

- table continued on next page
- All adapters are made to approved Dixon™ specifications.



## Brass Female to Male Hex Nipples

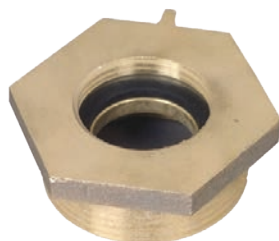
Table continued from previous page



reducer



same size



increaser

Female Thread	Male Thread	Cast Brass Part #	Price
2½" NST (NH)	2½" NST (NH)	<b>FM25F25F</b>	<b>\$62.15</b>
2½" NST (NH)	2½" NPT	<b>FM25F25T</b>	<b>53.80</b>
2½" NPT	2½" NPT	<b>FM2525T</b>	<b>102.80</b>
2½" NST (NH)	2½" NPSH	<b>FM25F25S</b>	<b>144.55</b>
2½" NPSH	2½" NST (NH)	<b>FM25S25F</b>	<b>62.15</b>
2½" NPSH	2½" NPT	<b>FM25S25T</b>	<b>62.15</b>
2½" NST (NH)	3" NST (NH)	<b>FM25F30F</b>	<b>89.80</b>
2½" NST (NH)	3" NPT	<b>FM25F30T</b>	<b>89.80</b>
3" NPT	2½" NST (NH)	<b>FM3025F</b>	<b>86.05</b>
3" NST (NH)	2½" NST (NH)	<b>FM30F25F</b>	<b>98.85</b>
3" NST (NH)	2½" NPT	<b>FM30F25T</b>	<b>98.85</b>
3" NPT	2½" NPT	<b>FM3025T</b>	<b>98.85</b>
3" NPSH	2½" NST (NH)	<b>FM30S25F</b>	<b>201.20</b>
3" NST (NH)	3" NPT	<b>FM30F30T</b>	<b>144.65</b>
3" NPT	3" NST (NH)	<b>FM3030F</b>	<b>144.65</b>
4" NPT	2½" NST (NH)	<b>FM4025F</b>	<b>387.30</b>
4" NPT	4" NST (NH)	<b>FM4040F</b>	<b>366.40</b>
4" NST (NH)	4" NPT	<b>FM40F40T</b>	<b>287.40</b>
4" NPT	4½" NST (NH)	<b>FM4045F</b>	<b>273.55</b>
4½" NST (NH)	4" NPT	<b>FM45F40T</b>	<b>454.25</b>
6" NPT	6" NST (NH)	<b>FM6060F</b>	<b>618.00</b>
6" NST (NH)	6" NPT	<b>FM60F60T</b>	<b>618.00</b>

- All adapters are made to approved Dixon™ specifications.

## Brass Female to Male Hex Nipples (New York Threads)

**Features:**

- NYFD thread = 3.031 x 8 TPI
- NYC thread = 3.00 x 8 TPI
- other configurations are also available, consult Dixon™ for information

Female	Male	Cast Brass Part #	Price
1½" NPT	1½" NYFD	<b>FM1515NYFD</b>	<b>\$32.00</b>
1½" NST (NH)	1½" NYFD	<b>FM15F15NYFD</b>	<b>32.00</b>
1½" NYFD	1½" NST (NH)	<b>FM15NYFD15F</b>	<b>32.00</b>
1½" NYFD	1½" NPT	<b>FM15NYFD15T</b>	<b>32.00</b>



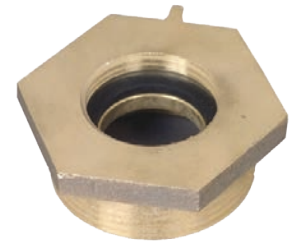
reducer

Female	Male	Cast Brass Part #	Price
2½" NPT	2½" NYC	<b>FM2525NYC</b>	<b>\$136.00</b>
2½" NPT	2½" NYFD	<b>FM2525NYFD</b>	<b>65.00</b>
2½" NST (NH)	2½" NYC	<b>FM25F25NYC</b>	<b>136.00</b>
2½" NST (NH)	2½" NYFD	<b>FM25F25NYFD</b>	<b>136.00</b>
2½" NYC	2½" NST (NH)	<b>FM25NYC25F</b>	<b>142.05</b>
2½" NYC	2½" NPT	<b>FM25NYC25T</b>	<b>153.15</b>
2½" NYFD	2½" NST (NH)	<b>FM25NYFD25F</b>	<b>67.30</b>
2½" NYFD	2½" NPT	<b>FM25NYFD25T</b>	<b>136.00</b>
2½" NYFD	2½" NYFD	<b>FM25NYFD25NYFD</b>	<b>136.00</b>



same size

Female	Male	Cast Brass Part #	Price
2½" NYFD	1½" NPT	<b>FM25NYFD15T</b>	<b>\$120.00</b>
2½" NYFD	2" NPT	<b>FM25NYFD20T</b>	<b>83.40</b>
2½" NYFD	3" NYFD	<b>FM25NYFD30NYFD</b>	<b>142.00</b>
2½" NYFD	3" NPT	<b>FM25NYFD30T</b>	<b>142.00</b>



increaser

- All adapters are made to approved Dixon™ specifications.

## Domestic Brass Hydrant Adapters - Pin Lug


**Feature:**

- other configurations are also available, consult Dixon™ for information

Female Thread	Male Thread	Cast Brass Part #	Price
1½" NST (NH)	¾" GHT	<b>HA1576-D</b>	<b>\$68.75</b>
2½" NST (NH)	1" NPT	<b>HA2510T-D</b>	<b>123.00</b>
2½" NST (NH)	1½" NST (NH)	<b>HA2515F-D</b>	<b>109.60</b>
2½" NST (NH)	1½" NPT	<b>HA2515T-D</b>	<b>125.55</b>
2½" NST (NH)	¾" GHT	<b>HA2576-D</b>	<b>135.10</b>

## Domestic Brass Female to Male Hex Nipples



reducer



same size



increaser

**Feature:**

- other configurations are also available, consult Dixon™ for information

Female Thread	Male Thread	Cast Brass Part #	Price
1" NPT	1½" NST (NH)	<b>FM1015F-D</b>	<b>\$71.10</b>
1½" NPT	1½" NST (NH)	<b>FM1515F-D</b>	<b>72.55</b>
1½" NPT	2½" NST (NH)	<b>FM1525F-D</b>	<b>128.00</b>
1½" NST (NH)	1½" NPSH	<b>FM15F15S-D</b>	<b>72.55</b>
1½" NST (NH)	1½" NPT	<b>FM15F15T-D</b>	<b>72.55</b>
1½" NST (NH)	2½" NST (NH)	<b>FM15F25F-D</b>	<b>128.75</b>
1½" NPSH	1½" NST (NH)	<b>FM15S15F-D</b>	<b>72.55</b>
1½" NPSH	1½" NPT	<b>FM15S15T-D</b>	<b>72.55</b>
2" NPT	1½" NST (NH)	<b>FM2015F-D</b>	<b>89.25</b>
2½" NPT	2½" NST (NH)	<b>FM2525F-D</b>	<b>126.40</b>
2½" NST (NH)	1½" NST (NH)	<b>FM25F15F-D</b>	<b>128.20</b>
2½" NST (NH)	1½" NPT	<b>FM25F15T-D</b>	<b>128.20</b>
2½" NST (NH)	2½" NPT	<b>FM25F25T-D</b>	<b>126.40</b>

## P

## Polycarbonate Hydrant Adapters - Rocker Lug


**Features:**

- use with water
- maximum working pressure: **100 PSI** at 70°F (21°C)

Female Thread	Male Thread	Polycarbonate Part #	Price
1½" NPSH	1½" NST (NH)	<b>POLYHA15S15F</b>	<b>\$16.35</b>
2½" NST (NH)	¾" GHT	<b>POLYHA2576</b>	<b>19.80</b>
2½" NST (NH)	1½" NPSH	<b>POLYHA2515</b>	<b>23.80</b>
2½" NST (NH)	1½" NST (NH)	<b>POLYHA2515F</b>	<b>23.80</b>
2½" NST (NH)	2" NPT	<b>POLYHA2520T</b>	<b>19.80</b>

- All adapters are made to approved Dixon™ specifications.

## Brass Double Female Swivels Pin Lug

Female NPSH	Female NPSH	Cast Brass Part #	Price
1½"	1½"	<b>DFP1515</b>	<b>\$86.25</b>
2½"	2½"	<b>DFP2525</b>	<b>190.70</b>

Female NST (NH)	Female NST (NH)	Cast Brass Part #	Price
1½"	1½"	<b>DFP1515F</b>	<b>\$80.90</b>
2½"	2½"	<b>DFP2525F</b>	<b>175.10</b>

Female NST (NH)	Female NPSH	Cast Brass Part #	Price
1½"	1½"	<b>DFP15F15S</b>	<b>\$86.25</b>
2½"	2½"	<b>DFP25F25S</b>	<b>190.70</b>

Female NYFD	Female NYFD	Cast Brass Part #	Price
1½"	1½"	<b>DFP15NYFD15NYFD</b>	<b>\$147.05</b>
2½"	2½"	<b>DFP25NYFD25NYFD</b>	<b>306.45</b>



## Rocker Lug

Female NPSH	Female NPSH	Cast Brass Part #	Price
1½"	1½"	<b>DFR1515</b>	<b>\$86.25</b>
2½"	2½"	<b>DFR2525</b>	<b>183.05</b>

Female NST (NH)	Female NST (NH)	Cast Brass Part #	Price
1½"	1½"	<b>DFR1515F</b>	<b>\$86.25</b>
2½"	2½"	<b>DFR2525F</b>	<b>183.05</b>



## Domestic Brass Double Female Swivels - Pin Lug

Female Thread	Female Thread	Cast Brass Part #	Price
1½" NST (NH)	1½" NST (NH)	<b>DFP1515F-D</b>	<b>\$215.00</b>
2½" NST (NH)	2½" NST (NH)	<b>DFP2525F-D</b>	<b>265.00</b>



P

- All adapters are made to approved Dixon™ specifications.

## Aluminum Double Swivel Female Adapters - Rocker Lug Style N35

### Female NPSH Swivel x Female NPSH Swivel



Female NPSH Swivel Thread	Female NPSH Swivel Thread	Aluminum Extrusion - Anodized Part #	Price
1" NPSH	1" NPSH	<b>N35-10S10S</b>	<b>\$169.00</b>
1" NPSH	1½" NPSH	<b>N35-10S15S</b>	<b>198.50</b>
1½" NPSH	1½" NPSH	<b>N35-15S15S</b>	<b>140.00</b>
1½" NPSH	2½" NPSH	<b>N35-15S25S</b>	<b>160.50</b>
2" NPSH	2" NPSH	<b>N35-20S20S</b>	<b>140.00</b>
2½" NPSH	2½" NPSH	<b>N35-25S25S</b>	<b>167.50</b>
3" NPSH	3" NPSH	<b>N35-30S30S</b>	<b>312.50</b>

### Female NST Swivel x Female NST Swivel



Female NST Swivel Thread	Female NST Swivel Thread	Aluminum Extrusion - Anodized Part #	Price
1" NST	1" NST	<b>N35-10F10F</b>	<b>\$169.00</b>
1½" NST	1½" NST	<b>N35-15F15F</b>	<b>169.00</b>
1½" NST	2½" NST	<b>N35-15F25F</b>	<b>140.00</b>
2½" NST	2½" NST	<b>N35-25F25F</b>	<b>136.35</b>
4" NST	4" NST	<b>N35-40F40F</b>	<b>436.45</b>
4" NST	5" NST	<b>N35-40F50F</b>	<b>436.45</b>
4½" NST	4½" NST	<b>N35-45F45F</b>	<b>436.45</b>
4½" NST	6" NST	<b>N35-45F60F</b>	<b>433.00</b>
5" NST	5" NST	<b>N35-50F50F</b>	<b>528.20</b>
6" NST	6" NST	<b>N35-60F60F</b>	<b>893.70</b>

### Female NPSH Swivel x Female NST Swivel



Female NPSH Swivel Thread	Female NST Swivel Thread	Aluminum Extrusion - Anodized Part #	Price
1" NPSH	1" NST	<b>N35-10S10F</b>	<b>\$169.00</b>
1" NPSH	1½" NST	<b>N35-10S15F</b>	<b>169.00</b>
1½" NPSH	1½" NST	<b>N35-15S15F</b>	<b>140.00</b>
2" NPSH	2½" NST	<b>N35-20S25F</b>	<b>140.00</b>
2½" NPSH	2½" NST	<b>N35-25S25F</b>	<b>167.50</b>
6" NPSH	6" NST	<b>N35-60S60F</b>	<b>893.70</b>

## Aluminum Double Female Swivel Adapters - Long Handle Style N57



Female NST Thread	Male NST Thread	Aluminum Extrusion - Anodized Part #	Price
2½"	2½"	<b>N57-25F25F</b>	<b>\$202.60</b>
4½"	6"	<b>N57-45F60F</b>	<b>492.55</b>
5"	5"	<b>N57-50F50F</b>	<b>564.15</b>
5"	6"	<b>N57-50F60F</b>	<b>624.80</b>
6"	6"	<b>N57-60F60F</b>	<b>606.75</b>

## (Open Snoot) Brass Female Swivel Adapters - Pin Lug

**Features:**

- double female rigid hexagon to swivel connection, rigid end thread is always NPT, hose thread is on swivel end
- finishes: -P polished, -C polished chrome plated
- other configurations are also available, consult Dixon™ for information

Female Swivel Thread	Female Rigid Thread	Cast Brass Part #	Price
1½" NST (NH)	1½" NPT	<i>SF150F</i>	<b>\$91.70</b>
1½" NPSH	1½" NPT	<i>SF150S</i>	<b>118.20</b>
2½" NST (NH)	1½" NPT	<i>SF25F15T</i>	<b>225.30</b>
2½" NST (NH)	2" NPT	<i>SF25F20T</i>	<b>160.30</b>
2½" NYFD	2" NPT	<i>SF25NYFD20T</i>	<b>186.30</b>
2½" NYFD	2½" NPT	<i>SF250NYFD</i>	<b>181.30</b>
2½" NST (NH)	2½" NPT	<i>SF250F</i>	<b>107.60</b>
2½" NST (NH)	2½" NPT	<i>SF250F-P</i>	<b>136.00</b>
2½" NST (NH)	2½" NPT	<i>SF250F-C</i>	<b>35.05</b>
2½" NPSH	2½" NPT	<i>SF250S</i>	<b>181.30</b>
2½" NST (NH)	3" NPT	<i>SF25F30T</i>	<b>167.65</b>
2½" NYFD	3" NPT	<i>SF25NYFD30T</i>	<b>232.35</b>
3" NST (NH)	3" NPT	<i>SF300F</i>	<b>292.55</b>
3" NST (NH)	3" NPT	<i>SF300F-P</i>	<b>332.70</b>
3" NST (NH)	3" NPT	<i>SF300F-C</i>	<b>350.20</b>
3" NYFD	3" NPT	<i>SF300NYFD</i>	<b>185.40</b>
3" NYFD	3" NPT	<i>SF300NYFD-C</i>	<b>267.80</b>
3" NYFD	3" NPT	<i>SF300NYFD-P</i>	<b>209.00</b>
4" NST (NH)	4" NPT	<i>SF400F</i>	<b>643.20</b>



## Domestic Brass Female Swivel Adapters - Pin Lug

**Feature:**

- other configurations are also available, consult Dixon™ for information

Female NST (NH) Swivel	Female Rigid NPT	Cast Brass Part #	Price
1½"	1½"	<i>SF150F-D</i>	<b>\$115.85</b>
2½"	2½"	<i>SF250F-D</i>	<b>178.10</b>
2½"	2"	<i>SF25F20T-D</i>	<b>194.30</b>



P

## (Open Snoot) Female Swivel Adapters - Rocker Lug

**Feature:**

- other configurations are also available, consult Dixon™ for information

Female Threads	Female Threads	Cast Brass Part #	Price
1½" NST (NH)	1½" NPT	<i>RSF150F</i>	<b>\$91.70</b>
2½" NST (NH)	1½" NPT	<i>RSF25F15T</i>	<b>262.65</b>
2½" NST (NH)	2" NPT	<i>RSF25F20T</i>	<b>160.30</b>
2½" NST (NH)	2½" NPT	<i>RSF250F</i>	<b>149.25</b>
2½" NST (NH)	3" NPT	<i>RSF25F30T</i>	<b>272.60</b>



- All adapters are made to approved Dixon™ specifications.

# Aluminum Swivel Female x Rigid Female Adapters - Rocker Lug Style N53

## Female NPSH Swivel x Female Rigid NPT



Female NPSH Swivel Thread	Female Rigid NPT	Aluminum Extrusion - Anodized Part #	Price
1½"	1½"	<b>N53-15S15T</b>	<b>\$118.10</b>
2"	2"	<b>N53-20S20T</b>	<b>128.90</b>
3"	3"	<b>N53-30S30T</b>	<b>162.90</b>
4"	4"	<b>N53-40S40T</b>	<b>309.55</b>
6"	6"	<b>N53-60S60T</b>	<b>430.15</b>

## Female NPSH Swivel x Female Rigid NPSH



Female NPSH Swivel Thread	Female Rigid NPSH	Aluminum Extrusion - Anodized Part #	Price
1½"	1½"	<b>N53-15S15S</b>	<b>\$118.10</b>
1½"	2"	<b>N53-15S20S</b>	<b>128.90</b>
2½"	2½"	<b>N53-25S25S</b>	<b>142.05</b>

## Female NST Swivel x Female Rigid NPT



Female NST Swivel Thread	Female Rigid NPT	Aluminum Extrusion - Anodized Part #	Price
1½"	1½"	<b>N53-15F15T</b>	<b>\$118.10</b>
2½"	2"	<b>N53-25F20T</b>	<b>134.15</b>
2½"	2½"	<b>N53-25F25T</b>	<b>136.40</b>
2½"	3"	<b>N53-25F30T</b>	<b>228.70</b>
2½"	4"	<b>N53-25F40T</b>	<b>269.65</b>
4"	4"	<b>N53-40F40T</b>	<b>309.55</b>
4½"	4"	<b>N53-45F40T</b>	<b>331.45</b>
4½"	6"	<b>N53-45F60T</b>	<b>331.45</b>
5"	6"	<b>N53-50F60T</b>	<b>362.40</b>
6"	6"	<b>N53-60F60T</b>	<b>430.15</b>

## Female NST Swivel x Female Rigid NST



Female NST Swivel Thread	Female Rigid NST	Aluminum Extrusion - Anodized Part #	Price
1½"	1½"	<b>N53-15F15F</b>	<b>\$85.00</b>
2½"	1½"	<b>N53-25F15F</b>	<b>146.30</b>
2½"	2½"	<b>N53-25F25F</b>	<b>134.15</b>
2½"	6"	<b>N53-25F60F</b>	<b>290.20</b>
3"	3"	<b>N53-30F30F</b>	<b>149.65</b>
4"	4"	<b>N53-40F40F</b>	<b>309.55</b>
6"	4½"	<b>N53-60F45F</b>	<b>438.00</b>
6"	6"	<b>N53-60F60F</b>	<b>430.15</b>

- All adapters are made to approved Dixon™ specifications.

## Brass Double Female Hex Adapters

**Feature:**

- other configurations are also available, consult Dixon™ for information

Female Thread	Female NST (NH)	Cast Brass Part #	Price
1½" NPT	1½"	<b>FFH1515F</b>	<b>\$26.20</b>
2½" NPT	2½"	<b>FFH2525F</b>	<b>59.75</b>
1½" NST (NH)	1½"	<b>FFH15F15F</b>	<b>26.20</b>
2½" NST (NH)	2½"	<b>FFH25F25F</b>	<b>59.75</b>

Female Thread	Female NYFD	Cast Brass Part #	Price
1½" NYFD	1½"	<b>FFH15NYFD15NYFD</b>	<b>\$87.45</b>
1½" NPT	1½"	<b>FFH1515NYFD</b>	<b>87.45</b>
2½" NPT	2½"	<b>FFH2525NYFD</b>	<b>120.00</b>

Female Thread	Female Thread	Cast Brass Part #	Price
1½" NPT	1½" NPSH	<b>FFH15T15S</b>	<b>\$26.20</b>



## Brass Female Rocker Lug - Suction with Poly Screen

**Feature:**

- suction intake with strainer screen

Female Thread	Female NPT	Cast Brass Part #	Price
2½" NST (NH)	1½"	<b>RSFSA25F15T</b>	<b>\$360.75</b>
2½" NST (NH)	2"	<b>RSFSA25F20T</b>	<b>360.75</b>
2½" NST (NH)	2½"	<b>RSFSA250F</b>	<b>345.50</b>
2½" NST (NH)	3"	<b>RSFSA25F30T</b>	<b>398.55</b>



## Brass Male Rocker Lug - Suction with Poly Screen

**Feature:**

- suction intake with strainer screen

Female NST (NH) Thread	Male NPT Thread	Cast Brass Part #	Price
2½"	1½"	<b>RSMSA25F15T</b>	<b>\$322.20</b>
2½"	2"	<b>RSMSA25F20T</b>	<b>337.20</b>
2½"	2½"	<b>RSMSA250F</b>	<b>340.80</b>
2½"	3"	<b>RSMSA25F30T</b>	<b>382.60</b>



P

## Brass Male Rocker Lug - Suction with Zinc Screen

**Feature:**

- suction intake with zinc strainer screen - excellent to use before backflow preventers

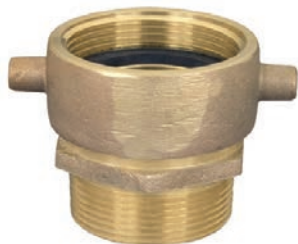
Female NST (NH) Thread	Male NPT Thread	Cast Brass Part #	Price
2½"	1½"	<b>RSMSA25F15T-Z</b>	<b>\$355.10</b>
2½"	2"	<b>RSMSA25F20T-Z</b>	<b>374.85</b>
2½"	2½"	<b>RSMSA250F-Z</b>	<b>378.95</b>
2½"	3"	<b>RSMSA25F30T-Z</b>	<b>425.35</b>



- All adapters are made to approved Dixon™ specifications.



## Brass Female Swivel to Male Adapters Pin Lug



Female NST (NH)	Male NPT	Cast Brass Part #	Price
1½"	1½"	<b>SM150F</b>	<b>\$74.30</b>
2½"	1½"	<b>SM25F15T</b>	<b>159.40</b>
2½"	2"	<b>SM25F20T</b>	<b>150.40</b>
2½"	2½"	<b>SM250F</b>	<b>94.15</b>
2½"	3"	<b>SM25F30T</b>	<b>179.55</b>
4"	4"	<b>SM400F</b>	<b>574.25</b>

Female NPSH	Male NPT	Cast Brass Part #	Price
1½"	1½"	<b>SM150S</b>	<b>\$93.30</b>
2"	2"	<b>SM200S</b>	<b>141.60</b>
2½"	2½"	<b>SM250S</b>	<b>185.40</b>

Female	Male NST (NH)	Cast Brass Part #	Price
1½" NPSH	1½"	<b>SM15S15F</b>	<b>\$166.10</b>
2½" NST (NH)	3"	<b>SM25F30F</b>	<b>271.10</b>

Female	Male NPT	Cast Brass Part #	Price
1½" NYFD	1½"	<b>SM150NYFD</b>	<b>\$130.85</b>
2½" NYC	2½"	<b>SM250NYC</b>	<b>195.00</b>
2½" NYFD	2½"	<b>SM250NYFD</b>	<b>195.00</b>

## Rocker Lug



Female Thread	Male NPT	Cast Brass Part #	Price
1½" NST (NH)	1½"	<b>RSM150F</b>	<b>\$93.30</b>
1½" NST (NPSH)	1½"	<b>RSM150S</b>	<b>90.70</b>
2½" NST (NH)	2"	<b>RSM25F20T</b>	<b>150.40</b>
2½" NST (NH)	2½"	<b>RSM250F</b>	<b>108.15</b>
2½" NST (NH)	3"	<b>RSM25F30T</b>	<b>179.55</b>

## Domestic Brass Male Swivel Adapters - Pin Lug



Female NST Swivel	Male NPT	Brass Part #	Price
1½"	1½"	<b>SM150F-D</b>	<b>\$108.35</b>
2½"	2½"	<b>SM250F-D</b>	<b>185.40</b>
2½"	2"	<b>SM25F20T-D</b>	<b>195.75</b>
2½"	3"	<b>SM25F30T-D</b>	<b>350.20</b>



## Aluminum Male Rocker Lug - Suction with Poly Screen



### Feature:

- suction intake with strainer screen

Female NST (NH) Thread	Male NPT Thread	Cast Brass Part #	Price
2½"	1½"	<b>ARSMSA25F15T</b>	<b>\$167.45</b>
2½"	2"	<b>ARSMSA25F20T</b>	<b>222.95</b>
2½"	2½"	<b>ARSMSA250F</b>	<b>218.00</b>
2½"	3"	<b>ARSMSA25F30T</b>	<b>303.70</b>

- All adapters are made to approved Dixon™ specifications.

## Aluminum Female Swivel to Male Adapters - Rocker Lug Style N54

Female Swivel Thread	Male Rigid Thread	Aluminum Extrusion - Anodized Part #	Price
1½" NST	1½" NST	<b>N54-15F15F</b>	<b>\$112.45</b>
1½" NST	1½" NPT	<b>N54-15F15T</b>	<b>145.20</b>
1½" NST	2½" NST	<b>N54-15F25F</b>	<b>115.95</b>
1½" NPSH	1½" NPSH	<b>N54-15S15S</b>	<b>121.35</b>
1½" NPSH	1½" NPT	<b>N54-15S15T</b>	<b>146.35</b>
2½" NST	1½" NST	<b>N54-25F15F</b>	<b>152.35</b>
2½" NST	1½" NPT	<b>N54-25F15T</b>	<b>155.70</b>
2½" NST	2" NPT	<b>N54-25F20T</b>	<b>163.40</b>
2½" NST	2½" NST	<b>N54-25F25F</b>	<b>123.20</b>
2½" NST	2½" NPT	<b>N54-25F25T</b>	<b>133.95</b>
2½" NST	3" NPT	<b>N54-25F30T</b>	<b>137.30</b>
2½" NPSH	2" NPT	<b>N54-25S20T</b>	<b>178.15</b>
3" NPSH	3" NPT	<b>N54-30S30T</b>	<b>214.80</b>
4" NST	4" NST	<b>N54-40F40F</b>	<b>228.10</b>
4" NST	4" NPT	<b>N54-40F40T</b>	<b>308.85</b>
4" NST	6" NST	<b>N54-40F60F</b>	<b>394.00</b>
4½" NST	4" NPT	<b>N54-45F40T</b>	<b>321.25</b>
4½" NST	5" NST	<b>N54-45F50F</b>	<b>305.65</b>
4½" NST	6" NPT	<b>N54-45F60T</b>	<b>343.00</b>
6" NST	4" NST	<b>N54-60F40F</b>	<b>413.60</b>
6" NST	6" NPT	<b>N54-60F60T</b>	<b>454.60</b>



## Aluminum Female Swivel to Male Adapters - Long Handle Style N54L

Female Thread	Male Thread	Aluminum Extrusion - Anodized Part #	Price
2½" NST	2½" NST	<b>N54L-25F25F</b>	<b>\$156.45</b>
4" NST	6" NST	<b>N54L-40F60F</b>	<b>475.95</b>
4½" NST	4" NPT	<b>N54L-45F40T</b>	<b>349.00</b>
6" NST	4" NPT	<b>N54L-60F40T</b>	<b>443.00</b>
6" NST	4½" NST	<b>N54L-60F45F</b>	<b>389.35</b>
6" NST	5" NST	<b>N54L-60F50F</b>	<b>451.20</b>
6" NST	6" NPT	<b>N54L-60F60T</b>	<b>466.80</b>



P

- All adapters are made to approved Dixon™ specifications.

## British Instantaneous Fittings

**Features:**

- polished finish
- meets BS336 specifications

### Adapters

#### British Instantaneous female x female threads



Size		Brass Part #	Price/E
Female	Female		
2½" BRIT	2½" NST (NH)	<b>BID250F</b>	<b>\$139.00</b>
2½" BRIT	2½" NPSH	<b>BID250S</b>	<b>139.00</b>
2½" BRIT	2½" NPT	<b>BID250T</b>	<b>139.00</b>
2½" BRIT	2½" BSP	<b>BID250B</b>	<b>139.00</b>

#### British Instantaneous female x male threads



Size		Brass Part #	Price/E
Female	Male		
2½" BRIT	2½" NST (NH)	<b>BIB250F</b>	<b>\$129.00</b>
2½" BRIT	2½" NPSH	<b>BIB250S</b>	<b>129.00</b>
2½" BRIT	2½" NPT	<b>BIB250T</b>	<b>129.00</b>
2½" BRIT	2½" BSP	<b>BIB250B</b>	<b>129.00</b>

#### British Instantaneous male x female threads



Size		Brass Part #	Price/E
Male	Female		
2½" BRIT	2½" NST (NH)	<b>BIA250F</b>	<b>\$102.00</b>
2½" BRIT	2½" NPSH	<b>BIA250S</b>	<b>102.00</b>
2½" BRIT	2½" NPT	<b>BIA250T</b>	<b>102.00</b>
2½" BRIT	2½" BSP	<b>BIA250B</b>	<b>102.00</b>

#### British Instantaneous male x male threads



Size		Brass Part #	Price/E
Male	Male		
2½" BRIT	2½" NST (NH)	<b>BIF250F</b>	<b>\$97.95</b>
2½" BRIT	2½" NPSH	<b>BIF250S</b>	<b>97.95</b>
2½" BRIT	2½" NPT	<b>BIF250T</b>	<b>97.95</b>
2½" BRIT	2½" BSP	<b>BIF250B</b>	<b>97.95</b>

P

## British Instantaneous Fittings

### Plug

Size	Brass Part #	Price/E
2½"	<b>BIDP250</b>	<b>\$61.65</b>



### Cap

Size	Brass Part #	Price/E
2½"	<b>BIDC250</b>	<b>\$126.00</b>



### Hose Shanks

Size	Brass Part #	Price/E
2½" male BRIT x 1½" hose shank	<b>BIE150</b>	<b>\$118.00</b>
2½" male BRIT x 2½" hose shank	<b>BIE250</b> <b>NEW</b>	<b>125.00</b>
2½" female BRIT x 1½" hose shank	<b>BIC150</b>	<b>130.00</b>
2½" female BRIT x 2½" hose shank	<b>BIC250</b> <b>NEW</b>	<b>143.00</b>



BIE150



BIC150

## Long Handle Short Shank Suction Hose Females

**Features:**

- powder coated aluminum swivel nut
- for suction and low pressure discharge only

Female Swivel NST (NH)	Hose Size	Part #	Price
4"	4"	<b>LHFS400F</b>	<b>\$140.00</b>
4½"	4"	<b>LHFS4045F</b>	<b>297.25</b>



P

## Cam and Groove Adapters - Pin Lug

**Features:**

- pin lugs allow for easy connection using standard spanner and hydrant wrenches
- supplied with Buna-N washer in the threaded end
- see page 634 for lug wrenches

Female NST (NH)	Male Adapter	Aluminum Part #	Price
1½"	1½"	<b>AHA1515ADP</b>	<b>\$56.05</b>
2½"	2½"	<b>AHA2525ADP</b>	<b>52.50</b>



Female NST (NH)	Male Adapter	Brass Part #	Price
1½"	1½"	<b>HA1515ADP</b>	<b>\$75.50</b>
2½"	2½"	<b>HA2525ADP</b>	<b>83.30</b>

## Cam and Groove x NST (NH) Adapters

**Features:**

- powder coated aluminum swivel nut
- for suction and low pressure discharge only
- other sizes, configurations and materials available, contact Dixon™ for information

## Type D



Coupler	Female NST (NH) Thread	Aluminum Part #	Price
1½"	1½"	<b>G150-D-ALNST</b>	<b>\$90.40</b>
2"	2½"	<b>2025-D-ALNST</b>	<b>110.10</b>
2½"	2½"	<b>G250-D-ALNST</b>	<b>116.75</b>
3"	2½"	<b>3025-D-ALNST</b>	<b>136.40</b>

## Type A



Adapter	Female NST (NH) Thread	Aluminum Part #	Price
1½"	1½"	<b>G150-A-ALNST</b>	<b>\$80.00</b>
2½"	2½"	<b>G250-A-ALNST</b>	<b>103.75</b>
3"	2½"	<b>3025-A-ALNST</b>	<b>116.75</b>

## Type B



Coupler	Male NST (NH) Thread	Aluminum Part #	Price
1½"	1½"	<b>G150-B-ALNST</b>	<b>\$85.85</b>
2"	1½"	<b>2015-B-ALNST</b>	<b>112.65</b>
2½"	2½"	<b>G250-B-ALNST</b>	<b>138.80</b>
3"	2½"	<b>3025-B-ALNST</b>	<b>155.80</b>

## Type F



Adapter	Male NST (NH) Thread	Aluminum Part #	Price
1½"	1½"	<b>G150-F-ALNST</b>	<b>\$77.50</b>
2"	2½"	<b>2025-F-ALNST</b>	<b>139.95</b>
2½"	2½"	<b>G250-F-ALNST</b>	<b>125.80</b>
3"	2½"	<b>3025-F-ALNST</b>	<b>143.70</b>

# Dixon™ Storz Fittings

## FSA-Storz x Rigid Female

**Features:**

- for use wherever a non-valved, locking coupling is required
- anodized components per MIL-A-8625 Type III Class 1
- Buna-N gaskets
- working pressure: **150 PSI** at 70°F (21°C)
- cast aluminum lock lever assembly on 4", 5" and 6"

**Storz x NST Female**

Storz Size	NST Female Thread	Forged 6061-T6 Alumium Part #	Price
1½"	1½"	<b>FSA1515F</b>	<b>\$98.80</b>
2"	1½"	<b>FSA2015F</b>	<b>161.70</b>
2"	2½"	<b>FSA2025F</b>	<b>137.95</b>
2½"	2½"	<b>FSA2525F</b>	<b>148.50</b>
3"	2½"	<b>FSA3025F</b>	<b>168.75</b>
4"	2½"	<b>FSA4025F</b>	<b>223.25</b>
4"	3"	<b>FSA4030F</b>	<b>278.10</b>
4"	4"	<b>FSA4040F</b>	<b>316.00</b>
4"	4½"	<b>FSA4045F</b>	<b>336.65</b>
4"	5"	<b>FSA4050F</b>	<b>336.65</b>
4"	6"	<b>FSA4060F</b>	<b>361.85</b>
5"	2½"	<b>FSA5025F</b>	<b>412.40</b>
5"	3"	<b>FSA5030F</b>	<b>412.40</b>
5"	4"	<b>FSA5040F</b>	<b>412.40</b>
5"	4½"	<b>FSA5045F</b>	<b>430.95</b>
5"	5"	<b>FSA5050F</b>	<b>441.00</b>
5"	6"	<b>FSA5060F</b>	<b>452.50</b>
6"	6"	<b>FSA6060F</b>	<b>581.35</b>

**Storz x NPT Female**

Storz Size	NPT Female Thread	Forged 6061-T6 Alumium Part #	Price
1½"	1"	<b>FSA1510T</b>	<b>\$98.80</b>
1½"	1½"	<b>FSA1515T</b>	<b>102.95</b>
1½"	2½"	<b>FSA1525T</b>	<b>209.00</b>
2"	1½"	<b>FSA2015T</b>	<b>161.70</b>
2"	2"	<b>FSA2020T</b>	<b>119.00</b>
2½"	1½"	<b>FSA2515T</b>	<b>137.95</b>
2½"	2"	<b>FSA2520T</b>	<b>156.45</b>
2½"	2½"	<b>FSA2525T</b>	<b>173.70</b>
2½"	3"	<b>FSA2530T</b>	<b>170.65</b>
3"	3"	<b>FSA3030T</b>	<b>269.85</b>
4"	3"	<b>FSA4030T</b>	<b>317.80</b>
4"	4"	<b>FSA4040T</b>	<b>344.95</b>
4"	5"	<b>FSA4050T</b>	<b>336.65</b>
4"	6"	<b>FSA4060T</b>	<b>361.85</b>
5"	3"	<b>FSA5030T</b>	<b>412.40</b>
5"	4"	<b>FSA5040T</b>	<b>412.40</b>
5"	5"	<b>FSA5050T</b>	<b>441.00</b>
5"	6"	<b>FSA5060T</b>	<b>452.50</b>
6"	4"	<b>FSA6040T</b>	<b>554.40</b>
6"	6"	<b>FSA6060T</b>	<b>617.80</b>



P

**Storz x NPS Female**

Storz Size	NPS Female Thread	Forged 6061-T6 Alumium Part #	Price
1½"	1½"	<b>FSA1515S</b>	<b>\$98.80</b>
2"	1½"	<b>FSA2015S</b>	<b>161.70</b>
2½"	2½"	<b>FSA2525S</b>	<b>148.50</b>
4"	4"	<b>FSA4040S</b>	<b>344.95</b>



## Dixon™ Storz Fittings

## SFSA - Storz x Swivel Female Adapter - Rocker Lug / Long Handle

**Features:**

- anodized components per MIL-A-8625 Type III Class 1
- Buna-N gaskets
- working pressure: **150 PSI** at 70°F (21°C)
- cast aluminum lock lever assembly on 4", 5" and 6"

**Storz x NST Female Swivel**

Storz Size	NST Female Swivel Thread	Forged 6061-T6 Aluminum Part #	Price
2½"	2½"	<b>SFSA2525F</b>	<b>\$194.25</b>
3"	2½"	<b>SFSA3025F</b>	<b>211.95</b>
4"	2½"	<b>SFSA4025F</b>	<b>1515.45</b>
4"	3"	<b>SFSA4030F</b>	<b>407.25</b>
4"	4"	<b>SFSA4040F</b>	<b>412.65</b>
4"	4½"	<b>SFSA4045F</b>	<b>458.20</b>
4"	5"	<b>SFSA4050F</b>	<b>592.65</b>
4"	6"	<b>SFSA4060F</b>	<b>573.35</b>
5"	2½"	<b>SFSA5025F</b>	<b>518.45</b>
5"	4"	<b>SFSA5040F</b>	<b>526.95</b>
5"	4½"	<b>SFSA5045F</b>	<b>531.70</b>
5"	6"	<b>SFSA5060F</b>	<b>620.95</b>
6"	5"	<b>SFSA6050F</b>	<b>796.70</b>
6"	6"	<b>SFSA6060F</b>	<b>664.40</b>

**Storz x NPSH Female**

Storz Size	NPSH Female Thread	Forged 6061-T6 Aluminum Part #	Price
2½"	2½"	<b>SFSA2525S</b>	<b>\$199.20</b>
3"	3"	<b>SFSA3030S</b>	<b>231.95</b>
4"	4"	<b>SFSA4040S</b>	<b>412.65</b>
5"	6"	<b>SFSA5060S</b>	<b>620.95</b>

**Storz x NST Female Swivel - Long Handle**

Storz Size	NST Female Swivel Thread	Forged 6061-T6 Aluminum Part #	Price
4"	4½"	<b>SFSA4045F-LH</b>	<b>\$486.85</b>
5"	4"	<b>SFSA5040F-LH</b>	<b>562.45</b>
5"	4½"	<b>SFSA5045F-LH</b>	<b>543.85</b>
6"	6"	<b>SFSA6060F-LH</b>	<b>681.55</b>



P

## Dixon™ Storz Fittings

## SFSA30 - Storz x Female Swivel 30° Elbow - Rocker Lug

**Features:**

- anodized components per MIL-A-8625 Type III Class 1
- Buna-N gaskets
- working pressure: **150 PSI** at 70°F (21°C)
- cast aluminum lock lever assembly on 4", 5" and 6"
- screens available for 4" and 5" heads, consult Dixon™ for information

Storz Size	NST Female Swivel Thread	Forged 6061-T6 Alumium Part #	Price
4"	4"	<b>SFSA30-4040F</b>	<b>\$412.40</b>
4"	5"	<b>SFSA30-4050F</b>	<b>704.50</b>
4"	6"	<b>SFSA30-4060F</b>	<b>725.25</b>
5"	3"	<b>SFSA30-5030F</b>	<b>725.40</b>
5"	4"	<b>SFSA30-5040F</b>	<b>2617.40</b>
5"	4½"	<b>SFSA30-5045F</b>	<b>2699.00</b>
5"	6"	<b>SFSA30-5060F</b>	<b>3046.55</b>



## SFSA30 - Storz x Female Swivel 30° Elbow - Long Handle

**Features:**

- anodized components per MIL-A-8625 Type III Class 1
- Buna-N gaskets
- working pressure: **150 PSI** at 70°F (21°C)
- cast aluminum lock lever assembly on 4", 5" and 6"

Storz Size	NST Female Swivel Thread	Forged 6061-T6 Alumium Part #	Price
4"	4½"	<b>SFSA30-4045F-LH</b>	<b>\$458.20</b>
4"	5"	<b>SFSA30-4050F-LH</b>	<b>738.85</b>
4"	6"	<b>SFSA30-4060F-LH</b>	<b>761.75</b>





## Dixon™ Storz Fittings

### NCS-CSF - 150 lbs. Carbon Steel Flange x Storz



150# Flange	Storz	Carbon Steel Part #	Price
4"	5"	<b>NCS-CSF-STZ450</b>	<b>\$557.55</b>
4"	6"	<b>NCS-CSF-STZ460</b>	<b>735.55</b>
5"	4"	<b>NCS-CSF-STZ540</b>	<b>559.95</b>
5"	5"	<b>NCS-CSF-STZ550</b>	<b>605.75</b>
5"	6"	<b>NCS-CSF-STZ560</b>	<b>781.40</b>
6"	4"	<b>NCS-CSF-STZ640</b>	<b>495.00</b>
6"	5"	<b>NCS-CSF-STZ650</b>	<b>495.00</b>
6"	6"	<b>NCS-CSF-STZ660</b>	<b>495.00</b>

### NCS-CSF - 150 lbs. Carbon Steel Flange x Storz with Cap



Storz	150# Flange	Carbon Steel Part #	Price
5"	6"	<b>NCS-CSF-STZ650C</b>	<b>\$669.95</b>
6"	6"	<b>NCS-CSF-STZ660C</b>	<b>669.95</b>

**NEW**

### MSA - Storz x Rigid Male

#### Storz x NST Male



Storz Size	NST Male Thread	Forged 6061-T6 Alumium Part #	Price
1½"	1½"	<b>MSA1515F</b>	<b>\$95.10</b>
2"	1½"	<b>MSA2015F</b>	<b>115.85</b>
2½"	2½"	<b>MSA2525F</b>	<b>142.25</b>
3"	2½"	<b>MSA3025F</b>	<b>191.20</b>
4"	2½"	<b>MSA4025F</b>	<b>284.55</b>
4"	4"	<b>MSA4040F</b>	<b>287.30</b>
4"	4½"	<b>MSA4045F</b>	<b>355.80</b>
5"	2½"	<b>MSA5025F</b>	<b>355.80</b>
5"	5"	<b>MSA5050F</b>	<b>418.10</b>

#### Storz x NPT Male



Storz Size	NPT Male Thread	Forged 6061-T6 Alumium Part #	Price
1½"	1½"	<b>MSA1515T</b>	<b>\$109.50</b>
2"	1½"	<b>MSA2015T</b>	<b>115.85</b>
2½"	2"	<b>MSA2520T</b>	<b>142.25</b>
2½"	2½"	<b>MSA2525T</b>	<b>166.80</b>
2½"	3"	<b>MSA2530T</b>	<b>191.20</b>
3"	3"	<b>MSA3030T</b>	<b>191.20</b>
4"	4½"	<b>MSA4025T</b>	<b>261.35</b>
4"	4"	<b>MSA4040T</b>	<b>256.20</b>
5"	4"	<b>MSA5040T</b>	<b>372.70</b>
6"	6"	<b>MSA6060T</b>	<b>500.65</b>

#### Storz x NPS Male



Storz Size	NPS Male Thread	Forged 6061-T6 Alumium Part #	Price
1½"	1½"	<b>MSA1515S</b>	<b>\$100.60</b>
2"	1½"	<b>MSA2015S</b>	<b>115.85</b>
2½"	3"	<b>MSA2530S</b>	<b>191.20</b>

1½" x 1½"

P

## Dixon™ Storz Fittings

### SSA - Storz x Storz Adapter

**Features:**

- anodized components per MIL-A-8625 Type III Class 1
- Buna-N gaskets
- working pressure: **150 PSI** at 70°F (21°C)
- cast aluminum lock lever assembly on 4", 5" and 6"

Storz Size	Storz Size	Forged 6061-T6 Aluminum Part #	Price
1½"	2"	<b>SSA1520</b>	<b>\$192.65</b>
1½"	2½"	<b>SSA1525</b>	<b>281.10</b>
2"	2½"	<b>SSA2025</b>	<b>238.55</b>
2"	3"	<b>SSA2030</b>	<b>186.50</b>
2½"	3"	<b>SSA2530</b>	<b>198.75</b>
2½"	4"	<b>SSA2540</b>	<b>566.95</b>
2½"	5"	<b>SSA2550</b>	<b>464.90</b>
3"	4"	<b>SSA3040</b>	<b>235.45</b>
3"	5"	<b>SSA3050</b>	<b>557.85</b>
4"	5"	<b>SSA4050</b>	<b>649.50</b>
4"	6"	<b>SSA4060</b>	<b>899.60</b>
5"	6"	<b>SSA5060</b>	<b>940.60</b>



### SSA30 - Storz x Storz 30° Elbow Adapters

**Features:**

- anodized components per MIL-A-8625 Type III Class 1
- Buna-N gaskets
- working pressure: **150 PSI** at 70°F (21°C)
- cast aluminum lock lever assembly on 4", 5" and 6"

Storz Size	Storz Size	Forged 6061-T6 Aluminum Part #	Price
4"	4"	<b>SSA30-440</b>	<b>\$595.80</b>
4"	5"	<b>SSA30-450</b>	<b>834.20</b>
4"	6"	<b>SSA30-460</b>	<b>1061.00</b>
5"	5"	<b>SSA30-550</b>	<b>812.75</b>
5"	6"	<b>SSA30-560</b>	<b>1328.60</b>
6"	6"	<b>SSA30-660</b>	<b>1533.40</b>



P

## Dixon™ Storz Accessories

Threaded Storz Mounting Plates  
(Bracket)

Storz Size	Anodized Aluminum Part #	Price
1½" - 2½"	<b>SMB1525</b>	<b>\$54.05</b>
4" - 5"	<b>SMB450</b>	<b>77.60</b>

## Storz Caps

## Feature:

- 4", 5", 6" supplied with cables, 1½", 2", 2½", 3" supplied with chains



Storz Cap	Aluminum Part #	Price
1½"	<b>SC150-NL</b>	<b>\$111.75</b>
2"	<b>SC200-NL</b>	<b>111.75</b>
2½"	<b>SC250-NL</b>	<b>115.75</b>
3"	<b>SC300-NL</b>	<b>158.85</b>
4"	<b>SC400-NL</b>	<b>178.80</b>
4" ABS	<b>SC400ABS<sup>1</sup></b>	<b>220.50</b>
5"	<b>SC500-NL</b>	<b>270.15</b>
5" ABS	<b>SC500ABS<sup>1</sup></b>	<b>300.00</b>
6"	<b>SC600-NL</b>	<b>437.10</b>

<sup>1</sup> ABS includes airbleeder/petcock

## Storz Gaskets

## Features:

- gasket faces should be kept free of sand, grit, etc. and lubricated with O-ring grease or silicone
- pressure seals have a flat face
- suction seals have a beaded face



 pressure seal (black)

 suction seal (grey)

Storz Size	Buna-N Pressure Part #	Price	Buna-N Suction Part #	Price
1½"	<b>SGS150-NL<sup>1</sup></b>	<b>\$15.10</b>	<b>SGS150-NL</b>	<b>\$15.10</b>
2"	<b>SGP200</b>	<b>9.20</b>	<b>SGS200-NL</b>	<b>12.70</b>
2½"	<b>SGP250</b>	<b>9.20</b>	<b>SGS250-NL</b>	<b>19.70</b>
3"	<b>SGP300</b>	<b>9.20</b>	<b>SGS300-NL</b>	<b>20.50</b>
4"	<b>SGP400</b>	<b>13.80</b>	<b>SGS400-NL</b>	<b>47.25</b>
5"	<b>SGP500</b>	<b>21.25</b>	<b>SGS500-NL</b>	<b>53.40</b>
6"	<b>SGS600-NL<sup>1</sup></b>	<b>51.25</b>	<b>SGS600-NL</b>	<b>51.25</b>

<sup>1</sup> gasket can be used for both pressure and suction service


## Storz Locking Device



Description	Part #	Price
metal locking device used on 4" and 5" Storz heads with spring, screw and washer	<b>LOCKINGDEVICE</b>	<b>\$31.50</b>
metal locking device used on 6" Storz heads with spring, screw and washer	<b>LOCKINGDEVICE6</b>	<b>60.00</b>

## Brass Caps Pin Lug

**Features:**

- finishes: -P polished, -C polished chrome plated
- NOT intended for pressure applications - for debris and thread protection only 

NST (NH) Thread	Cast Brass Part #	Price/E
1½"	<i>FC150F</i>	\$21.40
	<i>FC150F-P</i>	28.15
	<i>FC150F-C</i>	32.50
2"	<i>FC200</i> <b>NEW</b>	55.50
	<i>FC250F</i>	32.00
2½"	<i>FC250F-P</i>	38.40
	<i>FC250F-C</i>	40.70
	<i>FC300F</i>	153.50
3"	<i>FC300F-C</i>	176.00
	<i>FC400F</i>	201.35
4"	<i>FC450F</i>	201.35
4½"	<i>FC600F</i>	308.25
6"		

NPSH Thread	Cast Brass Part #	Price/E
1½"	<i>FC150</i>	\$24.45
2½"	<i>FC250</i>	43.70
3"	<i>FC300</i>	153.50
4"	<i>FC400</i>	249.40
6"	<i>FC600</i>	308.25



## Rocker Lug

**Feature:**

- finishes: -P polished, -C polished chrome plated

NST (NH) Thread	Cast Brass Part #	Price/E
1"	<i>RFC100F</i>	\$55.20
1½"	<i>RFC150F</i>	25.15
1½"	<i>RFC150F-P</i>	40.30
1½"	<i>RFC150F-C</i>	48.75
2½"	<i>RFC250F</i>	33.40
2½"	<i>RFC250F-P</i>	48.55
2½"	<i>RFC250F-C</i>	68.70
3"	<i>RFC300F</i>	173.30

NPSH Thread	Cast Brass Part #	Price/E
¾"	<i>RFC075</i>	\$46.15
1"	<i>RFC100</i>	57.10
1½"	<i>RFC150</i>	28.80
2"	<i>RFC200</i>	85.80
2½"	<i>RFC250</i>	112.30



P

## Brass Hose Test Caps

**Features:**

- pet cock port supplied with ⅛" NPT
- drain cock port supplied with ¼" NPT

NST (NH) Thread	Brass Part #	Price/E
1½"	<i>NST150TC</i>	\$220.00
2½"	<i>NST250TC</i>	275.80



## Aluminum Caps with Cable

### Rocker Lug

**Features:**

- other configurations are available, consult Dixon™ for information, not all configurations are stocked
- aircraft cable (coated) included



Size	Thread	Extruded Hardcoated Aluminum Part #	Price/E
1"	NST (NH)	<b>CAP100F-C</b>	<b>\$65.80</b>
1½"		<b>CAP150F-C</b>	<b>57.60</b>
2"		<b>CAP200F-C</b>	<b>66.70</b>
2½"		<b>CAP250F-C</b>	<b>89.35</b>
3"		<b>CAP300F-C</b>	<b>146.65</b>
4"		<b>CAP400F-C</b>	<b>193.95</b>
4½"		<b>CAP450F-C</b>	<b>269.70</b>
5"		<b>CAP500F-C</b>	<b>345.85</b>
6"	<b>CAP600F-C</b>	<b>365.85</b>	
1"	NPSH	<b>CAP100S-C</b>	<b>57.60</b>
1½"		<b>CAP150S-C</b>	<b>57.60</b>
2"		<b>CAP200S-C</b>	<b>60.60</b>
2½"		<b>CAP250S-C</b>	<b>84.00</b>

### Long Handle



NST (NH) Thread	Extruded Hardcoated Aluminum Part #	Price/E
4"	<b>CAP400F-C-LH</b>	<b>\$262.85</b>
4½"	<b>CAP450F-C-LH</b>	<b>310.00</b>
5"	<b>CAP500F-C-LH</b>	<b>332.20</b>
6"	<b>CAP600F-C-LH</b>	<b>453.65</b>

## Aluminum Test Caps

**Feature:**

- supplied with ¼" NPT drill and tap



Size	Thread	Aluminum Part #	Price/E
1"	NST	<b>CAP100FABS</b>	<b>\$56.70</b>
1½"		<b>CAP150FABS</b>	<b>64.75</b>
2"		<b>CAP200FABS</b>	<b>137.85</b>
2½"		<b>CAP250FABS</b>	<b>106.10</b>
3"		<b>CAP300FABS</b>	<b>130.80</b>
4"		<b>CAP400FABS</b>	<b>267.05</b>
4½"		<b>CAP450FABS</b>	<b>314.85</b>
5"		<b>CAP500FABS</b>	<b>169.05</b>
6"	<b>CAP600FABS</b>	<b>244.65</b>	
1"	NPSH	<b>CAP100SABS</b>	<b>58.45</b>
1½"		<b>CAP150SABS</b>	<b>81.25</b>
2"		<b>CAP200SABS</b>	<b>105.10</b>
2½"		<b>CAP250SABS</b>	<b>146.75</b>
3"		<b>CAP300SABS</b>	<b>112.25</b>
4"		<b>CAP400SABS</b>	<b>233.10</b>
4½"		<b>CAP450SABS</b>	<b>314.85</b>
5"		<b>CAP500SABS</b>	<b>166.80</b>
6"		<b>CAP600SABS</b>	<b>279.00</b>

P

## Brass Plugs Pin Lug

**Features:**

- finishes: -P polished, -C polished chrome plated
- NOT intended for pressure applications - for debris and thread protection only



NST (NH) Thread	Cast Brass Part #	Price/E
1½"	<b>FP150F</b>	<b>\$40.10</b>
1½"	<b>FP150F-P</b>	<b>50.75</b>
1½"	<b>FP150F-C</b>	<b>53.30</b>
2½"	<b>FP250F</b>	<b>55.40</b>
2½"	<b>FP250F-P</b>	<b>68.60</b>
2½"	<b>FP250F-C</b>	<b>71.25</b>
3"	<b>FP300F</b>	<b>95.10</b>
3"	<b>FP300F-P</b>	<b>89.30</b>
3"	<b>FP300F-C</b>	<b>91.85</b>
4"	<b>FP400F</b>	<b>175.10</b>
4½"	<b>FP450F</b>	<b>420.25</b>



Thread NPSH Thread	Cast Brass Part #	Price/E
1½"	<b>FP150</b>	<b>\$40.10</b>
2½"	<b>FP250</b>	<b>63.15</b>
3"	<b>FP300</b>	<b>148.50</b>
4"	<b>FP400</b>	<b>175.10</b>

## Rocker Lug

**Feature:**

- finishes: -P polished, -C polished chrome plated

Thread NST (NH)	Cast Brass Part #	Price/E
1½"	<b>RFP150F</b>	<b>\$82.55</b>
1½"	<b>RFP150F-C</b>	<b>94.50</b>
2½"	<b>RFP250F</b>	<b>126.35</b>
2½"	<b>RFP250F-C</b>	<b>153.50</b>



P

## Domestic Brass Plugs

Size	Brass Part #	Price/E
1½" NST (NH)	<b>FP150F-D</b>	<b>\$67.10</b>
2½" NST (NH)	<b>FP250F-D</b>	<b>122.00</b>



## Specialty Caps

### Stainless Steel Cap with Chain



Size	Thread	Stainless Steel Part #	Price/E
2½"	NST (NH)	<b>RFC250F-SS</b>	<b>\$176.70</b>

### Domestic Brass Caps

**Feature:**

- other sizes, threads, and finishes available, call Dixon™ for information



Size	Brass Part #	Price/E
1½" NST (NH)	<b>FC150F-D</b>	<b>\$67.45</b>
2½" NST (NH)	<b>FC250F-D</b>	<b>88.65</b>

### Iron Hydrant Caps

**Features:**

- pentagon fire hydrant cap
- red painted iron
- supplied with chain and ring



IHC250F



IHC450F

Size	Iron Part #	Price/E
2½" NST (NH)	<b>IHC250F</b>	<b>\$56.70</b>
2½" NYFD	<b>IHC250NYFD</b>	<b>56.70</b>
4½" NST (NH)	<b>IHC450F</b>	<b>84.20</b>

### Jack Chains with S-Hooks



Length	Material	Part #	Price/E	Opt Qty
6"	brass	<b>CH-B-6</b>	<b>\$8.25</b>	10
12"	brass	<b>CH-B-12</b>	<b>9.25</b>	10
6"	stainless	<b>CH-SS-6</b>	<b>9.00</b>	10
12"	stainless	<b>CH-SS-12</b>	<b>11.95</b>	10

### Aluminum Plugs with Cable

**Feature:**

- -NC: no cable



Size	Extruded Hardcoated Aluminum		Price/E
	NST (NH) Part #	NPSH Part #	
1½"	<b>PLUG150F-C</b>	<b>PLUG150S-C</b>	<b>\$67.85</b>
2½"	<b>PLUG250F-C</b>	<b>PLUG250S-C</b>	<b>90.90</b>
3"	<b>PLUG300F-C</b>	<b>PLUG300S-C</b>	<b>112.95</b>
4"	<b>PLUG400F-C</b>	<b>PLUG400S-C</b>	<b>148.50</b>
4½"	<b>PLUG450F-C</b>	<b>PLUG450S-C</b>	<b>241.20</b>
5"	<b>PLUG500F-C</b>	<b>PLUG500S-C</b>	<b>257.70</b>
6"	<b>PLUG600F-C</b>	<b>PLUG600S-C</b>	<b>331.30</b>

### Cap Test Gauges

**Application:**

Used for testing hose or static pressure on hydrants or trucks

**Features:**

- rocker lug swivel
- petcock to release pressure
- supplied with a 0-300 PSI glycerine 3½" diameter gauge




NH (NST) Thread	Hardcoated Aluminum Part #	Price/E
1½"	<b>AFC150F-TGWP</b>	<b>\$385.15</b>
2½"	<b>AFC250F-TGWP</b>	<b>422.40</b>

## Plastic Caps Caps with Chain

**Application:**

- prevents entry of foreign material and protects male outlet threads on valves and hydrants

**Feature:**

- NOT intended to be pressurized 

Size	Thread	Polycarbonate Part #	Price/E
1½"	NPSH	<b>PFCW150</b>	<b>\$15.10</b>
1½"	NST (NH)	<b>PFCW150F</b>	<b>15.10</b>
2"	NPSH	<b>PFCW200</b>	<b>23.20</b>
2½"	NST (NH)	<b>PFCW250F</b>	<b>15.95</b>
2½"	NYC / BAT	<b>PFCW250NYC</b>	<b>15.15</b>
2½"	NYFD	<b>PFCW250NYF</b>	<b>15.15</b>
3"	NST	<b>PFCW300F</b>	<b>30.30</b>



## Pressurizable Caps with Chains

**Feature:**

- can be pressurized to **300 PSI**

NST (NH) Thread	Polycarbonate Part #	Price/E
2½"	<b>PFC250F</b>	<b>\$39.40</b>



## Hydrant Caps

**Features:**

- 1½" pentagonal nut with weep hole
- with chain
- gasket not included

NST (NH) Thread	Polycarbonate Part #	Price/E
4½"	<b>PFCW450F-Y</b>	<b>\$45.25</b>



**Features:**

- 1½" pentagonal nut with weep hole
- gasket not included


NST (NH) Thread	Polycarbonate Part #	Price/E
2½"	<b>PFCW250F-Y</b>	<b>\$12.30</b>
4"	<b>PFCW400F-Y</b>	<b>16.70</b>



P

## Universal Hose Cap

**Features:**

- universal push on - pull off cap protects all threads by gripping the valve or outlet on the inside of the waterway
- NOT intended to be pressurized 

Size	Polycarbonate Part #	Price/E
2½"	<b>PFC250U</b>	<b>\$19.00</b>





## Caps and Plugs

## Polycarbonate Breakable Cap

**Application:**

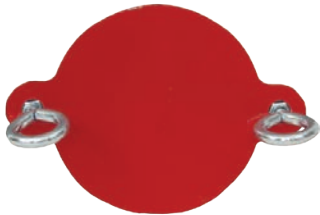
- prevents entry of foreign material and protects female threads on pin lug fire department inlet connections

**Feature:**

- used on pin lug females

Size	Polycarbonate Part #	Price/E
2½"	<b>PBC250</b>	<b>\$8.00</b>

## Aluminum Breakable Cap

**Features:**

- for use on fire department inlet connections
- prevents entry of foreign matter and protects female threads
- breakable ears feature permits fast hose connection
- two eyebolts with nuts for attachment to female pin lug swivel
- painted red finish

Size	Aluminum Part #	Price/E
2½"	<b>ABC250</b>	<b>\$10.90</b>

## FDC Plug

**Features:**

- fits standard 2½" NST female swivel
- withstands wide range of temperatures from -4°F to 200°F (-20°C to 93°C)
- 1⅞" pentagonal nut with weep hole to allow for drainage
- removed from FDC with adjustable hydrant wrench

NST (NH) Thread	Polycarbonate Part #	Price/E
2½"	<b>PP250F</b>	<b>\$12.00</b>

## Adjust-A-Plug



front



back

**Features:**

- molded red polycarbonate protective plug for swivel connections up to 2½"
- two adjustable metal plates installed in the back of the plug can be mated with your local thread
- plug can be easily removed with a fire department spanner wrench

Polycarbonate Part #	Price/E
<b>PAP250</b>	<b>\$8.00</b>

P

## Industrial Fog Nozzles

**Features:**

- maximum operating pressure: **175 PSI** (water only) at 70°F (21°C)
- delivers 30° - 60° - 90° fog pattern - shut-off - straight stream - fog
- U/L listed and Factory Mutual approved for class A and B fires (except noted <sup>1</sup>)
- supplied with bumper

Size	Thread	90° Spray GPM @ 100 PSI	Brass Part #	Price/E
¾"	GHT	---	<b>BFN75GHT</b> <sup>1</sup>	<b>\$186.30</b>
¾"	NPSH	---	<b>BFN75</b>	<b>186.30</b>
1"	NPSH	32	<b>BFN100</b>	<b>221.80</b>
1½"	NPSH	85	<b>BFN150</b>	<b>144.75</b>
2"	NPSH	108	<b>BFN200</b> <sup>1</sup>	<b>334.35</b>
1"	NST (NH)	32	<b>BFN100NST</b>	<b>221.80</b>
1½"	NST (NH)	85	<b>BFN150NST</b>	<b>144.75</b>
2½"	NST (NH)	205	<b>BFN250NST</b> <sup>1</sup>	<b>309.00</b>

<sup>1</sup> not U/L Listed or Factory Mutual approved



## Heavy Duty Industrial Fog Nozzles

**Features:**

- maximum operating pressure: **175 PSI** (water only) at 70°F (21°C)
- delivers 30° - 60° - 90° fog pattern - shut-off - straight stream - fog
- U/L listed and Factory Mutual approved
- supplied with bumper

Size	Thread	90° Spray GPM @ 100 PSI	Brass Part #	Price/E
1"	NPSH	---	<b>HFN100</b>	<b>\$212.40</b>
1½"	NPSH	88 (+/-12)	<b>HFN150</b>	<b>179.00</b>
1"	NST (NH)	---	<b>HFN100NST</b>	<b>212.40</b>
1½"	NST (NH)	88 (+/-12)	<b>HFN150NST</b>	<b>179.00</b>
1½"	NYFD	---	<b>HFN150NYFD</b>	<b>189.00</b>



## Higher Pressure Industrial Fog Nozzles

**Features:**

- working pressure: **25 to 300 PSI** (water only) at 70°F (21°C)
- combination straight stream and fog - shut-off - straight stream - fog
- Factory Mutual approved
- large one-piece rubber bumper with molded teeth
- knurled base

Size	Thread	90° Spray GPM @ 100 PSI	Brass Part #	Price/E
1½"	NPSH	117	<b>HPFN150</b>	<b>\$224.40</b>
1½"	NST (NH)	117	<b>HPFN150NST</b>	<b>224.40</b>



P

## Industrial Washdown Nozzles

**Features:**

- maximum operating pressure: **100 PSI** (water only) at 70°F (21°C)
- delivers 30° - 60° - 90° fog pattern
- shut off - straight stream - fog
- supplied with bumper


Size	Thread	90° Spray GPM @ 100 PSI	Brass Part #	Price/E
1½"	NPSH	88 (+/-12)	<b>WDN150</b>	<b>\$74.25</b>
1½"	NST (NH)	88 (+/-12)	<b>WDN150NST</b>	<b>74.25</b>





## Brass Electrical Fire All-Fog Nozzles

**Features:**

- maximum operating pressure: **100 PSI** (water only) at 70°F (21°C)
- delivers 30° - 60° - 90° fog pattern - shutoff to 30° fog, adjustable to 90° fog
- U/L listed and Factory Mutual approved for class C fires
- supplied with bumper
- Use of this nozzle is not likely to prove hazardous when nozzle is held in excess of 10 feet from electrical apparatus and circuits not involving more than 250,000 volts. 

Size	Thread	90° Spray GPM @ 100 PSI	Brass Part #	Price/E
1½"	NST (NH)	90	<b>BFNE150NST</b>	<b>\$234.30</b>
1½"	NPSH	90	<b>BFNE150</b>	<b>234.30</b>

## Ball Shutoffs

**Features:**

- full time swivel base ensures the durable rubber-like handle can be positioned for easy operation
- maximum operating pressure: **100 PSI** (water only) at 70°F (21°C)



Thread	Length	Waterway	Cast Brass Part #	Price/E
1½" NST (NH)	4¾"	1-3/8"	<b>BSO150NST</b>	<b>\$1363.75</b>
1½" NPSH	4¾"	1-3/8"	<b>BSO150S</b>	<b>1363.75</b>

## Replacement Part

Description	Composite Part #	Price/E
replacement handle	<b>BSO150-H</b>	<b>\$81.95</b>

## Nozzle Tips

**Features:**

- straight stream only
- maximum operating pressure: **100 PSI** (water only) at 70°F (21°C)
- 74 GPM @ 100 PSI



Thread	Length	Orifice	Satin Brass Part #	Price/E
1" NST (NH)	4-3/4"	1/2"	<b>BNT100F</b>	<b>\$154.15</b>
1" NPSH	4-3/4"	1/2"	<b>BNT100S</b>	<b>154.15</b>
1½" NST (NH)	4-3/8"	1/2"	<b>BNT150F</b>	<b>181.15</b>
1½" NPSH	4-3/8"	1/2"	<b>BNT150S</b>	<b>222.25</b>

## Domestic Rack Nozzles

**Features:**

- maximum operating pressure: **100 PSI** (water only) at 70°F (21°C)
- U/L listed and Factory Mutual approved for class A and B fires
- delivers 30° - 60° - 90° fog pattern - shut-off - straight stream - fog
- supplied without bumper

Size	Thread	90° Spray GPM @ 100 PSI	Brass Part #	Price/E
1½"	NST (NH)	80	<b>BRN150NST</b>	<b>\$152.60</b>
1½"	NPSH	80	<b>BRN150</b>	<b>208.70</b>



## Global Rack Nozzles

**Features:**

- maximum operating pressure: **100 PSI** (water only) at 70°F (21°C)
- U/L listed and Factory Mutual approved for class A and B fires
- delivers 30° - 60° - 90° fog pattern - shut-off - straight stream - fog
- supplied without bumper

Size	Thread	90° Spray GPM @ 100 PSI	Brass Part #	Price/E
1½"	NST (NH)	80	<b>BRN150NST-I</b>	<b>\$86.40</b>
1½"	NPSH	93	<b>BRN150S-I</b>	<b>86.40</b>



## Plain Hose Nozzles

**Features:**

- finish: satin
- maximum operating pressure: **100 PSI** (water only) at 70°F (21°C)

Size	Thread	ID	OD	Brass Part #	Price/E
¾"	GHT	6"	1/4"	<b>BN6</b>	<b>\$41.75</b>
¾"	NPSH	6"	1/4"	<b>BN7</b>	<b>41.75</b>
1"	NPSH	8"	5/16"	<b>BN10</b>	<b>48.40</b>
1¼"	NPSH	10"	3/8"	<b>BN12</b>	<b>73.00</b>
1½"	NPSH	10"	1/2"	<b>BN15</b>	<b>59.40</b>
2"	NPSH	12"	9/16"	<b>BN20</b>	<b>106.40</b>
2½"	NPSH	12"	1"	<b>BN25</b>	<b>153.10</b>
1"	NST (NH)	8"	5/16"	<b>BN10F</b>	<b>48.40</b>
1½"	NST (NH)	10"	1/2"	<b>BN15F</b>	<b>59.40</b>
2½"	NST (NH)	12"	1"	<b>BN25F</b>	<b>153.10</b>
1½"	NYFD	10"	1/2"	<b>BN15NYFD</b>	<b>60.00</b>
2½"	NYFD	12"	1"	<b>BN25NYFD</b>	<b>175.00</b>



P

- All nozzles are made to approved Dixon™ specifications.



## U/L Play Pipes with Tip



**Application:**

- often required in hydrant houses by Insurance Underwriters

**Features:**

- swivel handle, red marlin trim
- maximum operating pressure: **100 PSI** (water only) at 70°F (21°C)
- U/L listed and Factory Mutual approved
- ULT male thread specification: 2-3/16" ODM x 12 TPI
- comes standard with 1 1/8" orifice tip

Size	Female	Male	OAL	Brass Part #	Price/E
2 1/2"	NST (NH)	ULT	30"	<b>UPP250F</b>	<b>\$718.35</b>
2 1/2"	NPSH	ULT	30"	<b>UPP250S</b>	<b>718.35</b>
playpipe only				<b>UPP250F-SPEC</b>	<b>585.35</b>



## Tips for U/L Play Pipe

**Features:**

- finish: satin
- maximum operating pressure: **100 PSI** (water only) at 70°F (21°C)
- ULT male thread specification: 2-3/16" ODM x 12 TPI



Orifice	Cast Brass Part #	Price/E
1 1/8"	<b>UPPT</b>	<b>\$133.00</b>
1 1/4"	<b>UPPT125</b>	<b>175.00</b>
1 1/2"	<b>UPPT150</b>	<b>175.00</b>
1 3/4"	<b>UPPT175</b>	<b>175.00</b>

## Adjust-A-Power Nozzle



**Application:**

- ideal for patio, auto and boat, driveway and garden, can be used as a mop-up nozzle as it produces 50% more power than twist nozzles

**Features:**

- gasketed from inlet to tip it does not leak like conventional nozzles and does not require a washer
- three stainless steel ball bearings in the adjustable tip offer complete shut off, to ultra powerful pinpoint stream, to heavy spray pattern, to a solid jet stream or any setting in between
- leave nozzle in the open position when not in use
- design minimizes water usage and maximizes water velocity
- maximum operating pressure: **100 PSI** (water only) at 70°F (21°C)

Size	Thread	Brass Part #	Price/E
3/4"	GHT	<b>AAPN75GHT</b>	<b>\$24.00</b>

P



## Garden Hose Twist Nozzles

**Feature:**

- maximum operating pressure: **150 PSI** (water only)



Size	Thread	Length	Brass Part #	Price/E
3/4"	GHT	4"	<b>BTN75</b>	<b>\$21.80</b>
3/4"	GHT	7"	<b>500-AN7</b>	<b>37.98</b>

## U.S. Coast Guard Approved AFFF / Water Fog Nozzles

**Application:**

- designed for maximum efficiency with AFFF (Aqueous Film Forming Foams) or water on shipboard, offshore rigs and industrial applications

**Features:**

- corrosion resistant brass construction
- rubber-like bumper and handle for added protection
- Zytel (nylon) horseshoe handle
- double row of molded teeth for excellent fog pattern
- flush without shutting down
- constant gallonage in all fog and straight stream patterns
- combination fog and straight stream
- maximum operating pressure: **100 PSI** (water/AFFF only) at 70°F (21°C)



CGSN150F



CGSN151F

Thread NST (NH)	Description	Fog Flow @100 PSI	Approval #	Brass Part #	Price/E
1½"	nozzle	95 GPM	162.027/13/0	<b>CGSN150F</b>	<b>\$1789.20</b>
1½"	nozzle w/pistol grip	95 GPM	162.027/14/0	<b>CGSN151F<sup>1</sup></b>	<b>1962.45</b>

Thread NPSH	Description	Fog Flow @100 PSI	Approval #	Brass Part #	Price/E
1½"	nozzle	95 GPM	---	<b>CGSN150S</b>	<b>\$1789.20</b>
1½"	nozzle w/pistol grip	95 GPM	---	<b>CGSN151S<sup>1</sup></b>	<b>1962.45</b>

<sup>1</sup> supplied with pistol grip

## U.S. Coast Guard Approved Fog Nozzles

**Application:**

- designed to US Coast Guard specifications for fighting fires with drafted water, required equipment for all commercial vessels under US registry

**Features:**

- maximum operating pressure: **100 PSI** (water/AFFF only) at 70°F (21°C)
- corrosion resistant brass construction
- combination fog and straight stream for shipboard fire fighting
- applicator tips are available, consult Dixon™ for pricing and availability



Thread	Fog Flow GPM @100 PSI	Cast Brass Part #	Price/E
1½" NST	55	<b>CGN150NST</b>	<b>\$1854.30</b>
2½" NST	108	<b>CGN250NST</b>	<b>2190.30</b>
1½" NPSH	55	<b>CGN150S</b>	<b>1854.30</b>

Size	Description	Cast Brass Part #	Price/E
1½"	replacement tip	<b>CGN150-TIP</b>	<b>\$375.90</b>
2½"	replacement tip	<b>CGN250-TIP</b>	<b>430.50</b>



## 4AN Military Nozzle with Fog Tip

**Features:**

- length: 8¾"
- combination fog and straight stream to military specifications (Army, Air Force, Corps of Engineers) to former MIL-N-12314 Type II Class B
- fog tips are available, consult Dixon™ for pricing and availability



Thread	Fog Flow GPM @100 PSI	Brass	Price/E
1½" NH	65 <sup>1</sup>	<b>AK2079NST</b>	<b>\$2415.45</b>
1½" NST	65	<b>AK2079S</b>	<b>2616.50</b>

<sup>1</sup> fog flow only

**FM** Omega™ Monitor



**Features:**

- cast-in turning vanes for a more efficient flow
- 360° horizontal and 150° vertical travel
- friction loss: 10 PSI at 800 GPM(.7 bar at 3030 LPM)
- 4 bolt hole pattern on flange
- Factory Mutual approved

Size	Inlet	Outlet	Waterway	Flow	Brass Part #	Price/E
17" x 11½"	3" flange	2½" MNST	3"	1250 GPM	<b>AK3526-300FL</b>	<b>\$7073.15</b>

Brass Monitor Nozzle



**Features:**

- fixed teeth
- combination Straight, Stream and Fog - no shutoff
- fixed gallonage master stream nozzle
- factory set at 500 GPM (1900 lpm) field changeable to 300 or 700 GPM (1140 or 2660 LPM)
- maximum operating pressure: **100 PSI** (water only)

Size	Thread	90° Spray GPM @100 PSI	Brass Part #	Price/E
2½"	NST (NH)	NST (NH)	<b>AK4450NST</b>	<b>\$2428.95</b>

**FM** Steel FirePro™ Monitor



**Features:**

- seamless 2½" monitor - rated at 750 GPM
- carbon steel construction, stainless steel discharge tip and ball bearings
- 360° horizontal and 140° vertical travel
- red epoxy finish standard
- 150# ASA raised face 4" flange
- Factory Mutual approved

Size	Inlet	Outlet	Waterway	Flow	Carbon Steel Part #	Price/E
22" x 13"	4" flange	2½" MNST	2½"	750 GPM	<b>FP475S</b>	<b>\$3780.00</b>

**FM** Master Stream Nozzles



**Features:**

- factory set at 500 GPM
- featuring a straight stream to fog 'quick throw' pattern change
- constant gallonage
- Factory Mutual approved

Size	Thread	Material	Part #	Price/E
2½"	NST (NH)	brass	<b>FP500B</b>	<b>\$2749.10</b>
2½"	NST (NH)	aluminum	<b>FP500A</b>	<b>2285.20</b>

P

Street Cleaning Nozzles



**Feature:**

- welded fabrication

Size	Connection	Aluminum Part #	Price/E
2"	female cam	<b>200DBAL</b>	<b>\$264.05</b>
3"	female cam	<b>300DBAL</b>	<b>276.10</b>

Street Cleaning Nozzles



**Features:**

- delivers a flat, centered spray pattern for flushing or street cleaning apparatus
- length: 6¾", width: 8½"
- maximum operating pressure: **100 PSI** (water only)
- flows 300 GPM @ 100 PSI

Thread	Spray Direction	Brass Part #	Price/E
2½" NPSH	center	<b>BFSCN250C</b>	<b>\$1701.00</b>
2½" NPSH	left	<b>BFSCN250L</b>	<b>1701.00</b>
2½" NPSH	right	<b>BFSCN250R</b>	<b>1701.00</b>

## Heavy Duty Constant Flow Fog Nozzles

**Features:**

- 95 GPM constant flow
- 5" long

Size	Thread	GPM @ 100 PSI	Fiberglass Reinforced Composite Part #	Price/E
1½"	NPSH	95	<b>CFFR150</b>	<b>\$117.00</b>
1½"	NST (NH)	95	<b>CFFR150NST</b>	<b>117.00</b>



## Global Forestry Fog Nozzles

Size	Thread	GPM @100 PSI Straight Stream		Anodized Aluminum Part #	Price/E
		1st	2nd		
1½"	NPSH	23.8	73.9	<b>GFN150</b>	<b>\$84.85</b>
1½"	NST (NH)	37.6	95.0	<b>GFN150NST</b>	<b>84.85</b>



## Forestry Fog Nozzles

**Features:**

- maroon hard-coated barrel allows for easy identification
- corrosion resistant plated
- dual flow rate nozzles offer two straight stream and two fog patterns
- combination fog and straight stream
- maximum operating pressure: **600 PSI** (water only) at 70°F (21°C)

Size	Thread	GPM @100 PSI Straight Stream		6061-T6 Aluminum Part #	Price/E
		1st	2nd		
¾"	GHT	1-2 <sup>1</sup>	3-4 <sup>1</sup>	<b>FFN75GHT</b>	<b>\$209.10</b>
1"	NPSH	12	25	<b>FFN100<sup>2</sup></b>	<b>219.65</b>
1½"	NPSH	25	70	<b>FFN150</b>	<b>294.60</b>
1"	NST (NH)	12	25	<b>FFN100NST</b>	<b>219.65</b>
1½"	NST (NH)	25	70	<b>FFN150NST<sup>3</sup></b>	<b>294.60</b>



FFN75GHT



FFN100

<sup>1</sup> GPM @ 40 PSI

<sup>2</sup> FFN100 meets USFS 5100-239A and NSN 4210-01-165-6603

<sup>3</sup> FFN150NST meets USFS 5100-107A and NSN 4210-01-167-1123

- both nozzles conform to Forestry Service specification 5100-239C and 5100-107a

P

## Fog Nozzles

**Features:**

- without bumper
- adjustable fog or straight stream
- color: black
- weight: 12 oz.
- Federal Supply Schedule certified

Size	Thread	60° Spray GPM @ 100 PSI at 21°C (70°F)	Anodized Aluminum Part #	Price/E
1"	NPSH	30	<b>AFN100</b> <b>NEW</b>	<b>\$238.20</b>
1½"	NPSH	52	<b>AFN150</b>	<b>299.40</b>
1"	NST (NH)	30	<b>AFN100NST</b>	<b>238.20</b>
1½"	NST (NH)	52	<b>AFN150NST</b>	<b>299.40</b>





**NEW**

## TriFlow Fog Nozzles

**Features:**

- corrosion resistant plated aluminum
- combination 170° fog and straight stream
- Venturi flow improves straight stream and gallonage
- no nozzle teeth eliminates fingers and voids in the spray pattern thus producing a dense fog



Size	Thread	Straight Stream @ 100 PSI	6061 T-6 Aluminum Part #	Price/E
1½"	NST	60-100-140	<b>TFN150NST-140</b>	<b>\$434.60</b>
1½"	NPSH	60-100-140	<b>TFN150-140</b>	<b>434.60</b>
1½"	NST	75-150-200	<b>TFN150NST-200</b>	<b>434.60</b>
1½"	NPSH	75-150-200	<b>TFN150-200</b>	<b>434.60</b>

**NEW**

## Econo Fog Nozzles

**Features:**

- rugged, lightweight, corrosion resistant
- supplied without bumper
- for cabinet use, discourages theft
- for use up to 100 PSI (water only)



Size	Thread	Straight Stream @ 100 PSI	6061 T-6 Aluminum Part #	Price/E
1"	NPSH	56	<b>EFN100</b>	<b>\$233.25</b>
1"	NST	56	<b>EFN100NST</b>	<b>233.25</b>
1½"	NPSH	56	<b>EFN150</b>	<b>283.35</b>
1½"	NST	56	<b>EFN150NST</b>	<b>283.35</b>

**NEW**

## Garden Hose Nozzles

**Features:**

- offers two straight streams and one fog pattern <sup>1</sup>
- massive bumper specially formulated to resist damage and aging
- corrosion resistant hard coat



Size	Thread	Straight Stream @ 40 PSI		6061 T-6 Aluminum Part #	Price/E
		1st	2nd		
¾"	GHT (without bumper)	1-2	3-4	<b>GHN75</b>	<b>\$186.20</b>
¾"	GHT (with bumper)	1-2	3-4	<b>GHN75-B</b>	<b>233.25</b>

<sup>1</sup> fog pattern is 4-5 GPM @ 40 PSI

**NEW**

## Industrial Pistol Grip Nozzles

**Features:**

- all the performance of a regular fog nozzle plus a large, comfortable pistol grip for better balance and easy control of the line
- full-time ball bearing swivel base
- corrosion resistant hard coat
- also available with 56 and 125 GPM as special order



Size	Thread	GPM @ 60 PSI	6061 T-6 Aluminum Part #	Price/E
1½"	NST	56	<b>MFPG150NST</b>	<b>\$916.40</b>
1½"	NPSH	56	<b>MFPG150</b>	<b>916.40</b>

## Forestry Grade Ball Shut-Off Nozzles

**Features:**

- NFPA1964 compliant
- hardcoated threads, and acetal ball, rigid inlet
- maximum operating pressure: **600 PSI** at ambient temperature (70°F)
- FSS specification 5100-238

Size	Thread	Waterway	Anodized Aluminum Part #	Price/E
1"	NPSH	¾"	<b>FBSO100S</b>	<b>\$384.00</b>
1½"	NPSH	1"	<b>FBSO150S</b>	<b>394.10</b>
1"	NST (NH)	¾"	<b>FBSO100F</b>	<b>398.95</b>
1½"	NST (NH)	1"	<b>FBSO150F</b>	<b>350.00</b>



## Forestry Grade Ball Shut-Off Nozzle with Pistol Grip

**Features:**

- NFPA1964 compliant
- hardcoated threads, and acetal ball, full time live swivel inlet
- maximum operating pressure: **600 PSI** at ambient temperature (70°F)
- FSS specification 5100-238

Size	Thread	Waterway	Anodized Aluminum Part #	Price/E
1"	NPSH	¾"	<b>FBSO100S-PG</b>	<b>\$564.25</b>
1½"	NPSH	1"	<b>FBSO150S-PG</b>	<b>596.50</b>
1"	NST (NH)	¾"	<b>FBSO100F-PG</b>	<b>520.70</b>
1½"	NST (NH)	1"	<b>FBSO150F-PG</b>	<b>596.50</b>



## Break Apart Attack Nozzles

**Application:**

- low-cost, versatile, and easy-to-use nozzle for first responders in rural and suburban fire departments

**Features:**

- minimal training is required to connect and operate the nozzle
- nozzle uses a 1½" coupler, provides 20-90 GPM fog or straight stream flows at **100 PSI**
- nozzle can be separated from the shut off valve for extended hose lays and other uses
- this product meets or exceeds USDA Forestry Service standards

Size	Thread	Aluminum Part #	Price/E
1"	NPSH	<b>ABN100S</b>	<b>\$807.85</b>
1"	NST (NH)	<b>ABN100F</b>	<b>807.85</b>
1½"	NPSH	<b>ABN150S</b>	<b>897.85</b>
1½"	NST (NH)	<b>ABN150F</b>	<b>897.85</b>



P

## Tip for Ball Shut-Off Nozzles

**Features:**

- lightweight
- maximum operating pressure: **200 PSI** (water only) at ambient temperature (70°F)

Size	Thread	Orifice <sup>1</sup>	Length	Anodized Aluminum Part #	Price/E
1"	NPSH	½"	4"	<b>ANT100</b>	<b>\$261.60</b>
1½"	NPSH	½"	4¾"	<b>ANT150</b>	<b>238.55</b>
1"	NST (NH)	½"	4"	<b>ANT100F</b>	<b>271.80</b>
1½"	NST (NH)	½"	4¾"	<b>ANT150F</b>	<b>238.55</b>



NPSH



NST

<sup>1</sup> other orifice sizes available, contact Dixon™

## Single Gallonage Constant Flow Nozzles


**Features:**

- for use up to **100 PSI** (water only)
- live swivel inlet
- spinning teeth

Size	Thread	Constant GPM @ 100 PSI	Aluminum Part #	Price/E
1"	NST (NH)	40	<b>AK4802F<sup>1</sup></b>	<b>\$2065.95</b>
1½"	NST (NH)	125	<b>AK4820F<sup>1</sup></b>	<b>2100.00</b>
2½"	NST (NH)	200	<b>AK4825F</b>	<b>2430.90</b>

<sup>1</sup> supplied with pistol grip

## Adjustable Constant Gallonage Constant Flow Nozzles


**Features:**

- for use up to **100 PSI** (water or foam only)
- live swivel inlet
- multiple flow settings for a combination of flow and control, tight, straight stream and wide, dense fog pattern
- quality flow performance as low as 50 PSI

Size	Thread	Constant GPM @ 100 PSI	Aluminum Part #	Price/E
1"	NST (NH)	13-25-40-60	<b>AK1702F<sup>1</sup></b>	<b>\$3315.40</b>
1½"	NST (NH)	30-60-95-125	<b>AK1720F<sup>1</sup></b>	<b>2993.80</b>
2½"	NST (NH)	125-150-200-250	<b>AK1725F</b>	<b>3423.65</b>

<sup>1</sup> supplied with pistol grip

## Ball Shutoff Nozzles - Bolted Style


**Features:**

- rugged and lightweight
- cast aluminum body with pistol grip
- hardcoated female swivel inlet and male outlet
- maximum operating pressure: **200 PSI** (water only) at 70°F (21°C)

Size	Thread	Waterway	Cast Aluminum Part #	Price/E
1½"	NST (NH)	1⅜"	<b>ACPSO150F</b>	<b>\$355.00</b>
1½"	NPSH	1⅜"	<b>ACPSO150</b>	<b>355.00</b>

P



## Pistol Grip Adapters

**Features:**

- converts any standard fog nozzle to a well-balanced, easy to hold pistol grip fog nozzle making the job of holding high pressure lines easier
- full-time ball bearing swivel base
- corrosion resistant
- heat treated aluminum construction for minimum weight
- hardcoated per MIL-A-8625-F TYPE 111, (Polylube 1)



Size	Thread	6061 T-6 Aluminum Part #	Price/E
1"	NST	<b>PGA100NST</b>	<b>\$463.95</b>
1½"	NST	<b>PGA150NST</b>	<b>463.95</b>
1½"	NPSH	<b>PGA150NPSH</b>	<b>463.95</b>
2½"	NST	<b>PGA250NST</b>	<b>601.40</b>

## Single Gallonage Shut-off Nozzles



**Features:**

- PTFE hard-coated for greater corrosion resistance and durability
- lightweight and easily maneuvered
- full-time ball bearing swivel base
- metal ball with non-stick Delrin® seats
- 1-1/16" waterway

Size	Thread	GPM @ 100 PSI	Aluminum Part #	Price/E
1"	NST	95	<b>BVSO100NST</b>	<b>\$1648.00</b>
1"	NPSH	95	<b>BVSO100</b>	<b>1648.00</b>
1½"	NST	95	<b>BVSO150NST</b>	<b>1648.00</b>
1½"	NPSH	95	<b>BVSO150</b>	<b>1648.00</b>
1½"	NST	125	<b>BVSO150NST-125</b>	<b>1648.00</b>
1½"	NPSH	125	<b>BVSO150-125</b>	<b>1882.25</b>



## Dual Gallonage Shut-off Nozzles



**Features:**

- PTFE hard-coated for greater corrosion resistance and durability
- lightweight and easily maneuvered
- full-time ball bearing swivel base
- metal ball with non-stick Delrin® seats
- 1-1/16" waterway

Size	Thread	GPM @ 100 PSI	Aluminum Part #	Price/E
1"	NST	25 - 70	<b>BVDSO100NST</b>	<b>\$1648.00</b>
1"	NPSH	25 - 70	<b>BVDSO100</b>	<b>1648.00</b>
1½"	NST	25 - 70	<b>BVDSO150NST</b>	<b>1648.00</b>
1½"	NPSH	25 - 70	<b>BVDSO150</b>	<b>1648.00</b>



## Adjustable Tri-Flo Selectable Gallonage Nozzles



**Features:**

- corrosion resistant plated with Neoprene bumper
- full-time ball bearing swivel base
- dense fog delivery with no voids or fingers in pattern
- metal ball with non-stick Delrin® seats

Size	Thread	Straight Stream GPM @ 100 PSI	Aluminum Part #	Price/E
1½"	NST	60 - 100 - 140	<b>BVTSO150NST</b>	<b>\$1648.00</b>
1½"	NPSH	60 - 100 - 140	<b>BVTSO150</b>	<b>1648.00</b>
1½"	NST	75 - 150 - 200	<b>BVTSO150NST-200</b>	<b>1846.00</b>
1½"	NPSH	75 - 150 - 200	<b>BVTSO150-200</b>	<b>1846.00</b>
2½"	NST	100 - 200 - 300	<b>BVTSO250NST</b>	<b>1882.25</b>



P

## Full Flow Industrial Shut-Off / Nozzles



**Features:**

- metal bail and handle (no plastic)
- full 1½" waterway
- rubber pistol grip
- maximum operating pressure: **200 PSI** (water only) at 70°F (21°C)

Size	Description	NPSH Aluminum Part #	Price/E	NST Aluminum Part #	Price/E
1½"	shut-off only	<b>FFBSO150</b>	<b>\$334.55</b>	<b>FFBSO150NST</b>	<b>\$334.55</b>
1½"	shut-off with integral fog nozzle	<b>FFBSON150</b>	<b>480.00</b>	<b>FFBSON150NST</b>	<b>480.00</b>



## Constant Flow Fog Nozzles

**Features:**

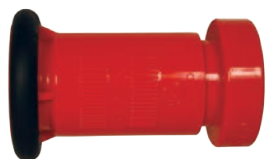
- red polycarbonate with bumper and black plastic and steel stem
- provides consistent volume at any spray angle
- adjusts from straight stream to fog
- 1" and 1½" are ULC listed
- maximum operating pressure: **100 PSI** (water only) at 70°F (21°C)



2½" nozzle with handles  
CFB250NST



2½" nozzle without handles  
HGCFB250NST




1½" nozzle

Size	Thread	90° Spray GPM @ 100 PSI	Polycarbonate Part #	Price/E
¾"	GHT	8	<b>CFB75GHT</b>	<b>\$30.00</b>
1"	SIPT	22	<b>CFB100S</b>	<b>32.70</b>
1½"	SIPT	75	<b>CFB150S</b> <sup>1</sup>	<b>28.05</b>
1½"	SIPT	150	<b>HGCFB150S</b> <sup>2</sup>	<b>98.20</b>
2"	SIPT	75	<b>CFB2015S</b> <sup>1</sup>	<b>63.85</b>
2"	SIPT	150	<b>CFB200S</b> <sup>2</sup>	<b>89.60</b>
1"	NST (NH)	22	<b>CFB100NST</b>	<b>32.70</b>
1½"	NST (NH)	75	<b>CFB150NST</b> <sup>1</sup>	<b>28.05</b>
1½"	NST (NH)	150	<b>HGCFB150NST</b> <sup>2</sup>	<b>98.20</b>
2½"	NST (NH)	150	<b>CFB250NST</b> <sup>3</sup>	<b>178.80</b>
2½"	NST (NH)	215	<b>HGCFB250NST</b> <sup>2,4</sup>	<b>229.10</b>
1½"	NYF	75	<b>CFB150NYF</b> <sup>1</sup>	<b>28.05</b>
2½"	NYF	150	<b>CFB250NYF</b> <sup>3</sup>	<b>202.20</b>
1½"	CF	75	<b>CFB150CF</b> <sup>1</sup>	<b>31.25</b>
2½"	CF	150	<b>CFB250CF</b> <sup>3</sup>	<b>202.20</b>
2½"	NYC	150	<b>CFB250NYC</b> <sup>3</sup>	<b>202.20</b>

<sup>1</sup> standard flow

<sup>2</sup> high flow

<sup>3</sup> provided with handles

<sup>4</sup> intended for firefighting use only - nozzle will shut off automatically if not fully manned (both hands) 

- NYF – New York Fire Dept. Thread 1½" (2.100 ODM X 8 TPI) — 2½" (3.030 ODM X 8 TPI)
- CF – Chicago Fire Dept. Thread 1½" (1.933 ODM X 11.5 TPI) — 2½" (2.990 ODM X 7.5 TPI)
- NYC – New York Corporation Thread 1½" (2.093 ODM X 11 TPI) — 2½" (3.000 ODM X 8 TPI)
- Also available CSA, BAT, NSS

## Blue Refinery Fog Nozzles

**Features:**

- blue polycarbonate with bumper and black plastic and steel stem
- glass-filled
- provides consistent volume at any spray angle
- adjusts from Straight Stream to Fog
- resistant to petrochemicals
- maximum operating pressure: **100 PSI** (water only) at 70°F (21°C)



P

Size	Thread	90° Spray GPM @ 100 PSI	Polycarbonate Part #	Price/E
1½"	SIPT	75	<b>RNB150S</b>	<b>\$34.50</b>
1½"	NST (NH)	75	<b>RNB150NST</b>	<b>34.50</b>

## Gaskets

**Feature:**

- used on constant flow and refinery fog nozzles



Size	Thread	ID	OD	Thickness	Buna-N Part #	Price/E
1"	SIPT	0.900"	1.270"	0.125"	<b>CFG100S</b>	<b>\$2.65</b>
1½"	SIPT	1.510"	1.878"	0.125"	<b>CFG150S</b>	<b>2.70</b>
2"	SIPT	1.680"	2.340"	0.156"	<b>CFG200S</b>	<b>2.80</b>
1"	NST (NH)	0.900"	1.270"	0.125"	<b>CFG100NST</b>	<b>2.65</b>
1½"	NST (NH)	1.510"	1.906"	0.125"	<b>CFG150NST</b>	<b>2.70</b>
2½"	NST (NH)	2.250"	3.000"	0.187"	<b>CFG250NST</b>	<b>2.95</b>

• dimensions are nominal

## Fog Nozzles

**Features:**

- shutoff - straight stream - fog
- maximum operating pressure: **100 PSI** (water only) at 70°F (21°C)

Size	Thread	90° Spray GPM @ 100 PSI	Polycarbonate w/ Brass Stem with Bumper		Polycarbonate w/ Brass Stem without Bumper	
			Part #	Price/E	Part #	Price/E
¾"	GHT	8 <sup>1,2</sup>	<b>FNB75GHT</b>	<b>\$40.80</b>	---	---
¾"	NPS	30.9 <sup>2</sup>	<b>FNB75S</b>	<b>40.80</b>	---	---
1"	NPS	11.4 <sup>2</sup>	<b>FNB100S</b>	<b>48.50</b>	<b>FN100S</b>	<b>\$48.35</b>
1"	NPS	30.9	<b>HGB100S</b>	<b>63.25</b>	---	---
1½"	NPS	83.6	<b>FNB150S</b>	<b>45.35</b>	<b>FN150S</b>	<b>41.50</b>
1"	NST (NH)	11.4	<b>FNB100NST</b>	<b>48.50</b>	<b>FN100NST</b>	<b>48.35</b>
1"	NST (NH)	30.9	<b>HGB100NST</b>	<b>63.25</b>	---	---
1½"	NST (NH)	83.6	<b>FNB150NST</b>	<b>45.35</b>	<b>FN150NST</b>	<b>41.50</b>



nozzle with bumper  
FNB150NST




nozzle without bumper  
FN150NST

<sup>1</sup> standard flow

<sup>2</sup> 120° spray GPM @100 PSI

## Factory Mutual Approved Fog Nozzles

**Features:**

- brass stem with locking nut
- shutoff-straight-stream-fog
- wings on sleeve for ease of adjustment
- maximum operating pressure: **100 PSI** (water only) at 70°F (21°C)
- SL series nozzles are Factory Mutual approved 

Size	Thread	90° Spray GPM @ 100 PSI	Factory Mutual approved		Factory Mutual approved Global	
			Polycarbonate with Bumper Part #	Price/E	Polycarbonate without Bumper Part #	Price/E
¾"	GHT	30.9 <sup>1</sup>	<b>SL075GHT</b>	<b>\$49.15</b>	---	---
¾"	NPSH	30.9 <sup>1</sup>	<b>SL075</b>	<b>48.20</b>	---	---
1"	NPSH	30.9 <sup>1</sup>	<b>SL100</b>	<b>51.25</b>	<b>PFNB100S</b>	<b>\$21.65</b>
1½"	NPSH	75	<b>SL150</b>	<b>70.45</b>	<b>PFNB150S</b>	<b>30.65</b>
1½"	NST (NH)	75	<b>SL150NST</b>	<b>70.45</b>	<b>PFNB150NST</b>	<b>27.00</b>



<sup>1</sup> 120° spray on ¾" and 1"

## Polycarbonate Electrical Fire All-Fog Nozzles

**Features:**

- opens and closes in a 30° fog pattern up to 120°- no straight stream
- maximum operating pressure: **100 PSI** (water only) at 70°F (21°C)

**Features:**

Size	Thread	75° Spray GPM @ 100 PSI	Polycarbonate with Brass Stem Part #	Price/E
1½"	NPS	92	<b>FNBE150S</b>	<b>\$46.10</b>
1½"	NST (NH)	92	<b>FNBE150NST</b>	<b>46.10</b>



## Gaskets for Fog Nozzles

Size	Thread	ID	OD	Thickness	Buna-N Part #	Price/E
1"	NPSH	0.937"	1.234"	0.125"	<b>FNG100S</b>	<b>\$4.25</b>
1"	NPSH	1.000"	1.375"	0.125"	<b>HGG100S</b>	<b>4.55</b>
1½"	NPSH	1.500"	1.827"	0.125"	<b>FNG150S</b>	<b>3.25</b>
1"	NST (NH)	0.937"	1.281"	0.125"	<b>FNG100NST</b>	<b>4.25</b>
1"	NST (NH)	1.000"	1.375"	0.125"	<b>HGG100NST</b>	<b>4.55</b>
1½"	NST (NH)	1.510"	1.906"	0.125"	<b>FNG150NST</b>	<b>3.25</b>



• dimensions are nominal

## Constant Flow Nozzles



**Features:**

- shatterproof and UV resistant polycarbonate withstands tough environmental conditions
- seals used for true water shut off
- easy twist spray pattern adjustment
- sold in case quantity only, with display
- 25 nozzles per case

Thread	45° Spray GPM @ 100 PSI	Color	Global Part #	Price/E
3/4" GHT	25.1	green	<b>FNB75GHT-GD</b>	<b>\$493.00</b>
3/4" GHT	25.1	clear	<b>CNB75GHT-GD</b>	<b>493.00</b>



## Constant Flow Nozzles with Bumper



**Feature:**

- can be used as a replacement nozzle in the display case GNB75GHT-GD

Thread	45° Spray GPM @ 100 PSI	Color	Plastic Part #	Price/E
3/4" GHT	8	green	<b>GNB75GHT</b> (domestic)	<b>\$26.20</b>
3/4" GHT	25.1	clear	<b>CNB75GHT</b> (global)	<b>21.20</b>



## Red Plain Hose Nozzles

**Feature:**

- maximum operating pressure: **100 PSI** (water only) at 70°F (21°C)



Size	Thread	Length	Orifice	Red Polycarbonate Part #	Price/E
1 1/2"	NPSH	10"	1/2"	<b>PN15</b>	<b>\$18.00</b>
1 1/2"	NPSH	10"	1/2"	<b>PN15CF</b>	<b>18.00</b>
1 1/2"	NST (NH)	10"	1/2"	<b>PN15F</b>	<b>18.00</b>
1 1/2"	NST (NH)	10"	1/2"	<b>PN15NYFD</b>	<b>18.00</b>

## Penetrator Nozzles

**Features:**

- designed with standard 1 1/2" NPSH male hose threads that are converted to female thread for connection to the hose using a double female rigid connector
- 1/4" discharge orifice generates a high velocity water jet that is effective against deep seated wildland fires
- maximum operating pressure: **200 PSI** (water only) at ambient temperature (70°F)



Size	Thread	Length	Orifice	Polycarbonate Part #	Price/E
1 1/2"	NPSH	5 1/2"	1/4"	<b>PFN4005S</b>	<b>\$51.55</b>
1 1/2"	NST (NH)	5 1/2"	1/4"	<b>PFN4005F</b>	<b>51.55</b>

## Twin Tip Straight Stream Forestry Nozzles

**Features:**

- molded high strength red polycarbonate
- solid, one-piece reversible twin tip has 1/4" and 3/8" orifices
- maximum operating pressure: **100 PSI** (water only) at ambient temperature (70°F)



Size	Thread	Length with tip	Length without tip	Orifice of base nozzle	Polycarbonate Part #	Price/E
1 1/2"	NPSH	9"	7 1/2"	1/2"	<b>PTTF150S</b>	<b>\$32.10</b>
1 1/2"	NST (NH)	9"	7 1/2"	1/2"	<b>PTTF150F</b>	<b>32.10</b>

## Spanner and Hydrant Wrenches Universal Spanner Wrench

**Features:**

- for 3/4" to 3" pin lug and rocker lug couplings
- includes gas cock shutoff, pry bar and belt hook eye
- overall length 11 7/8"

Aluminum Part #	Price/E	Pkg Qty
<b>USW</b>	<b>\$24.70</b>	25



## Universal Wrench

**Features:**

- for pin lug or rocker lug couplings 1" - 4 1/2"
- a gas cock shutoff is provided in the handle
- red epoxy painted
- overall length 11 3/4"

Iron Part #	Price/E
<b>233</b>	<b>\$43.20</b>



## Hole Type Spanner Wrench

**Features:**

- designed for use on 3/4" and 1" booster hose couplings
- overall length is 7 1/2"

AL-MAG 35 Part #	Price/E
<b>HTSW</b>	<b>\$15.00</b>



## Storz Hydrant Wrench

**Features:**

- fits 4" and 5" Storz
- ductile iron head
- knurled chrome plated handle
- manganese bronze adjustable jaw
- includes adjustable hydrant nut wrench

Part #	Price/E
<b>SAHW</b>	<b>\$100.00</b>



## Folding Pocket Spanner Wrenches

**Features:**

- for pentagon nuts up to 1 3/4"
- built-in spanner for pin or rocker lug couplings
- overall length 16 1/4"

Material	Part #	Price/E
aluminum	<b>PSW</b>	<b>\$43.00</b>
brass	<b>PSW-B</b>	<b>171.10</b>
die cast zinc	<b>PSW-Z</b>	<b>41.35</b>
yellow plastic	<b>PSW-Y</b>	<b>86.65</b>



P

## Adjustable Hydrant Wrench

**Features:**

- fits 3/4" to 3" rocker lug and pin lug couplings
- a compact wrench easily carried in your jacket pocket

Part #	Price/E	Pkg Qty
<b>AHW</b>	<b>\$40.20</b>	20





## Spanner and Hydrant Wrenches

### Pigtail Adjustable Hydrant Wrench

**Feature:**

- double spanner head fits pin lug or rocker (sensible) lug couplings, pentagon nuts up to 1½" from point to flat, 1½" - 6" rocker lug caps, 2" - 4½" pin lug caps, and square nuts up to 1½"



Part #	Price/E
<b>AHWPT</b>	<b>\$69.25</b>

### Heavy Duty Adjustable Hydrant Wrench

**Features:**

- for pentagon hydrant nuts up to 1¾" from point to flat
- notched to fit 1¼" square hydrant nut
- spanner for pin lug and sensible (rocker) lug couplings, 1½" thru 6"
- plated iron head, ⅞" plated steel handle
- overall length 18"



Part #	Price/E	Pkg Qty
<b>189</b>	<b>\$38.70</b>	15

### Double Head Adjustable Hydrant Wrench

**Features:**

- for pentagon hydrant nuts up to 1⅞" and square heads up to 1½"
- fits ¾" - 6" rocker lug or pin lug couplings, can also be used for long handle couplings
- ductile iron head with a deeply knurled chrome plated steel handle
- replaceable adjustable jaw is made of manganese bronze
- overall length 19½"



Part #	Price/E
<b>189DH</b>	<b>\$86.25</b>

### 5 Hole Hydrant Wrench

**Features:**

- 5 pentagon holes designed to fit common hydrant nut sizes
- built-in spanner for pin or rocker lug couplings
- overall length: 14¼"



Plated Iron Part #	Price/E	Pkg Qty
<b>PHW</b>	<b>\$24.00</b>	25

### Grip-All Spanner Wrench

**Features:**

- fits ¾" - 6" split lug, rocker lug and pin lug couplings
- can be operated in tight quarters
- gas cock shutoff is provided in the handle, handle is shaped to fit your hand allowing a positive grip on the coupling



Aluminum Part #	Price/E
<b>GAW</b>	<b>\$23.25</b>

Additional spanner wrenches on pages 631-634

## Spanner and Hydrant Wrenches

### Hydrant Wrenches



**Application:**

- used for hydrant work by water works companies and on construction sites

**Feature:**

- overall length 15"

**Features:**

- fits up to 4" pin lug or rocker lug couplings
- complete with pry bar

Description	A356 Aluminum Part #	Price/E
1¼" square hydrant wrench	<b>DF16-180</b>	<b>\$38.00</b>



**Features:**

- fits up to 2½" pin lug or rocker lug couplings
- complete with pry bar and 1¼" nut wrench

Description	A356 Aluminum Part #	Price/E
lug / drum wrench	<b>DF16-181</b>	<b>\$37.00</b>



### Long Handle Suction Spanner Wrench

**Features:**

- use on long handle, rocker lug, or pin lug couplings from 2½" - 6"
- open end slips over long handles for additional leverage, the claw fits rocker lugs or pin lugs, the other end can be used as a pry or crowbar
- inverted "T" body construction for lighter weight and improved strength
- can be used on Dixon™'s cam and groove pin lug or trapezoidal lug tank car adapters or 8" pin lug couplings
- overall length 18¾"

Plated Iron Part #	Price/E
<b>LHW</b>	<b>\$439.95</b>



### Forestry Hose Clamp and Spanner

**Features:**

- material: cast aluminum and brass
- off-set handle enables the user to easily operate the clamp while wearing gloves
- to be used with lightweight 1" and 1½" hoses for pressures up to 200 PSI
- when clamped on the hose the brass locking device safely holds the clamp in position, a spanner is an integral part of the clamp
- overall length 10"

Cast Aluminum Part #	Price/E
<b>FHCS150</b>	<b>\$199.55</b>



### Forestry Pocket Spanner Wrenches

**Features:**

- FSW1: for use on 1" hoses only
- FSW2: for 1" and 1½" hose couplings
- overall length 5"
- meets USFDA specification 5100-101C

Aluminum Part #	Price/E
<b>FSW1</b>	<b>\$47.25</b>
<b>FSW2</b>	<b>47.25</b>



## Storz Wrenches

### Pin Lug Spanner Wrenches - Single End



Size	Plated Iron Part #	Price/E
2"	<b>SW20</b>	<b>\$10.15</b>
2½"	<b>SW25</b>	<b>11.55</b>
3"	<b>SW30</b>	<b>13.25</b>
4"	<b>SW40</b>	<b>13.85</b>
6"	<b>SW60</b>	<b>84.85</b>

### Pin Lug Spanner Wrenches - Double End



Size	Plated Iron Part #	Price/E
1½", 2" x 2½", 3"	<b>SW153</b>	<b>\$25.50</b>

### Storz Spanner Wrench - Single End



SZW2

**Features:**

- SW1530 fits 1½" - 3" Storz
- SZW2 for use on 4" and 6" Storz



SW1530

Storz Size	Material	Part #	Price/E
1½" - 3"	AL-MAG 35	<b>SW1530</b>	<b>\$66.00</b>
4" - 6"	AL-MAG 35	<b>SZW2</b>	<b>23.23</b>

### Storz Spanner Wrenches - Double End



SZW2-NL



SW-S400

Used On	Material	Part #	Price/E
2" - 5"	aluminum	<b>SZW2-NL</b>	<b>\$61.20</b>
2" - 5"	steel	<b>SW-S400</b>	<b>50.00</b>

### Holder with (2) Wrenches - Double Ended



Part #	Description	Price/E
<b>SWB-2</b>	2 Storz aluminum wrenches (2½" - 5") with bracket	<b>\$181.30</b>
<b>SWB-S-2</b>	2 Storz steel wrenches (2½" - 5") with bracket	<b>175.70</b>
<b>SWB-S-4</b>	4 Storz steel wrenches (2½" - 5") with bracket	<b>261.60</b>

## Synthetic Single Jacket Mill Hose

### Application:

- Used in open end water discharge applications only. Not intended for fire fighting service.



### Features:

- outer construction: single jacket, all polyester
- tube construction: black, PVC rubber
- rated pressure: **250 PSI** at ambient temperature (70°F)
- working pressure: **112 PSI** at ambient temperature (70°F)
- Consult Dixon™ for pricing and availability on 75' lengths and other threads and configurations.

### Uncoupled

Size	Bowl	Length	Part #	Price/E
1"	1-1/4"	50'	<i>M10-50UC</i>	\$91.55
1"	1-1/4"	100'	<i>M10-100UC</i>	183.00
1"	1-1/4"	300'	<i>M10-300UC</i>	480.10
1½"	1-11/16"	25'	<i>M15-25UC</i>	50.45
1½"	1-11/16"	50'	<i>M15-50UC</i>	101.00
1½"	1-11/16"	100'	<i>M15-100UC</i>	202.00
2"	2-3/8"	25'	<i>M20-25UC</i>	58.30
2"	2-3/8"	50'	<i>M20-50UC</i>	117.00
2"	2-3/8"	100'	<i>M20-100UC</i>	234.00
2½"	2-11/16"	25'	<i>M25-25UC</i>	80.75
2½"	2-11/16"	50'	<i>M25-50UC</i>	161.00
2½"	2-11/16"	100'	<i>M25-100UC</i>	323.00
3"	3-3/8"	25'	<i>M30-25UC</i>	96.60
3"	3-3/8"	50'	<i>M30-50UC</i>	193.00
3"	3-3/8"	100'	<i>M30-100UC</i>	387.00
4"	4-3/8"	25'	<i>M40-25UC</i>	147.00
4"	4-3/8"	50'	<i>M40-50UC</i>	294.00
4"	4-3/8"	100'	<i>M40-100UC</i>	588.00
6"	6-3/8"	25'	<i>M60-25UC</i>	259.00
6"	6-3/8"	50'	<i>M60-50UC</i>	518.00

**NEW**



P

## Synthetic Single Jacket Mill Hose

### Application:

- Used in open end water discharge applications only. Not intended for fire fighting service.



### Features:

- outer construction: single jacket, all polyester
- tube construction: black, PVC rubber
- rated pressure: **250 PSI** at ambient temperature (70°F)
- working pressure: **112 PSI** at ambient temperature (70°F)
- Consult Dixon™ for pricing and availability on 75' lengths and other threads and configurations.

### Coupled with NPSH female and male expansion ring couplings



Size	Length	Part #	Price
1½"	50'	<b>M15-50RAS</b>	<b>\$204.50</b>
1½"	100'	<b>M15100RAS</b>	<b>284.40</b>
2"	50'	<b>M20-50RAS</b>	<b>284.40</b>
2"	100'	<b>M20100RAS</b>	<b>383.30</b>
2½"	50'	<b>M25-50RAS</b>	<b>315.30</b>
2½"	100'	<b>M25100RAS</b>	<b>474.50</b>

### Coupled with NST female and male expansion ring couplings



Size	Length	Part #	Price
1½"	50'	<b>M15-50RAF</b>	<b>\$194.75</b>
1½"	100'	<b>M15100RAF</b>	<b>284.40</b>
2½"	25'	<b>M25-25RAF</b>	<b>225.25</b>
2½"	50'	<b>M25-50RAF</b>	<b>315.30</b>
2½"	100'	<b>M25100RAF</b>	<b>474.50</b>

### Coupled with MNPT x MNPT male expansion ring couplings



Size	Length	Part #	Price
1½"	50'	<b>M15-50RAT</b>	<b>\$234.40</b>
1½"	100'	<b>M15100RAT</b>	<b>329.90</b>
2"	50'	<b>M20-50RAT</b>	<b>284.40</b>
2"	100'	<b>M20100RAT</b>	<b>393.80</b>

- 75' lengths and other threads and configurations are available, contact Dixon™

## Synthetic Single Jacket Mill Hose

### Application:

- used in open end water discharge applications only, not intended for fire fighting service



### Features:

- outer construction: single jacket, all polyester
- tube construction: black, PVC rubber
- Consult Dixon™ for pricing and availability of additional lengths and other configurations.

**Coupled with NPSH female and male King™ short shank couplings, crimp sleeve, Aluminum shank with brass pin lug swivel nut**

Size	Length	Working Pressure PSI at 70°F	Part #	Price/E
1½"	25'	75	<i>M15-25KAS</i>	\$98.85
1½"	50'	75	<i>M15-50KAS</i>	159.50
2"	25'	75	<i>M20-25KAS</i>	115.00
2"	50'	75	<i>M20-50KAS</i>	179.30
2½"	25'	50	<i>M25-25KAS</i>	148.00
2½"	50'	50	<i>M25-50KAS</i>	230.30
3"	25'	50	<i>M30-25KAS</i>	203.75
3"	50'	50	<i>M30-50KAS</i>	291.10



**Coupled with NST (NH) female and male King™ short shank couplings, crimp sleeve, Aluminum shank with brass pin lug swivel nut**

Size	Length	Working Pressure PSI at 70°F	Part #	Price/E
1½"	25'	75	<i>M15-25KAF</i>	\$113.35
1½"	50'	75	<i>M15-50KAF</i>	160.35
2½"	25'	50	<i>M25-25KAF</i>	177.90
2½"	50'	50	<i>M25-50KAF</i>	254.70



**Coupled with female and male (C & E) global aluminum cam and groove, crimp sleeve**

Size	Length	Working Pressure PSI at 70°F	Part #	Price/E
1½"	25'	112	<i>M15-25GAX</i>	\$124.75
1½"	50'	112	<i>M15-50GAX</i>	185.25
2"	25'	112	<i>M20-25GAX</i>	142.35
2"	50'	112	<i>M20-50GAX</i>	199.40
2½"	25'	112	<i>M25-25GAX</i>	174.45
2½"	50'	112	<i>M25-50GAX</i>	245.75
3"	25'	112	<i>M30-25GAX</i>	217.30
3"	50'	112	<i>M30-50GAX</i>	272.30
4"	25'	112	<i>M40-25GAX</i>	275.10
4"	50'	112	<i>M40-50GAX</i>	448.35



- additional lengths and configurations are available, contact Dixon™

P

## Synthetic Double Jacket Mill Hose

### Application:

- ideal for open end discharge applications, not intended for fire fighting service



### Features:

- outer construction: double jacket, all polyester
- tube construction: black, PVC rubber
- rated pressure: **250 PSI** at 70°F
- working pressure: **200 PSI** at 70°F
- double jacket hoses are **not** recommended for use with field reattachable couplings



### Uncoupled

Size	Bowl	Length	Part #	Price/E
1½"	1-13/16"	50'	<b>DM15-50UC</b>	<b>\$181.00</b>
1½"	1-13/16"	100'	<b>DM15-100UC</b>	<b>363.00</b>
2"	2-5/16"	50'	<b>DM20-50UC</b>	<b>223.00</b>
2"	2-5/16"	100'	<b>DM20-100UC</b>	<b>445.00</b>
2½"	2-7/8"	50'	<b>DM25-50UC</b>	<b>268.00</b>
2½"	2-7/8"	100'	<b>DM25-100UC</b>	<b>537.00</b>

### Coupled with female and male NST (NH) thread, rocker lug, aluminum expansion ring couplings

Size	Bowl	Length	Part #	Price/E
1½"	1-13/16"	50'	<b>DM15-50RAF</b>	<b>\$275.85</b>
1½"	1-13/16"	100'	<b>DM15100RAF</b>	<b>435.85</b>
2½"	2-7/8"	50'	<b>DM25-50RAF</b>	<b>376.70</b>
2½"	2-7/8"	100'	<b>DM25100RAF</b>	<b>647.55</b>



### Coupled with female and male NPSH thread, rocker lug, aluminum expansion ring couplings

Size	Bowl	Length	Part #	Price/E
1½"	1-13/16"	50'	<b>DM15-50RAS</b>	<b>\$236.50</b>
1½"	1-13/16"	100'	<b>DM15100RAS</b>	<b>435.85</b>
2"	2-5/16"	50'	<b>DM20-50RAS</b>	<b>314.40</b>
2"	2-5/16"	100'	<b>DM20100RAS</b>	<b>480.25</b>
2½"	2-7/8"	50'	<b>DM25-50RAS</b>	<b>371.55</b>
2½"	2-7/8"	100'	<b>DM25100RAS</b>	<b>647.55</b>

**NEW**

P



### Coupled with male (NPT) x male (NPT) thread, rocker lug, aluminum expansion ring couplings

Size	Bowl	Length	Part #	Price/E
1½"	1-13/16"	50'	<b>DM15-50RAT</b>	<b>\$296.75</b>
1½"	1-13/16"	100'	<b>DM15100RAT</b>	<b>435.85</b>
2"	2-5/16"	50'	<b>DM20-50RAT</b>	<b>372.50</b>
2"	2-5/16"	100'	<b>DM20100RAT</b>	<b>573.40</b>
2½"	2-7/8"	50'	<b>DM25-50RAT</b>	<b>434.30</b>
2½"	2-7/8"	100'	<b>DM25100RAT</b>	<b>663.00</b>

- 75' lengths and other threads and configurations are available, consult Dixon™

## Nitrile Washdown Hose

### Application:

- ideal for industrial, agricultural and construction washdown and discharge applications, not for firefighting



### Features:

- resistant to weather and abrasion
- working pressure: see chart below

### Uncoupled

Size	Color	Bowl	Length	Working Pressure	Part #	Price/E	
1"	black	1¼"	50'	200 PSI	<i>WDH10BK50UC</i>	\$334.60	
1"	black	1¼"	100'		<i>WDH10BK100UC</i>	669.20	
1"	yellow	1¼"	50'		<i>WDH10Y50UC</i>	334.60	
1"	yellow	1¼"	100'		<i>WDH10Y100UC</i>	669.20	
1"	blue	1¼"	50'		<i>WDH10BL50UC</i>	334.60	
1"	blue	1¼"	100'		<i>WDH10BL100UC</i>	669.20	
1½"	black	1-13/16"	50'		<i>WDH15BK50UC</i>	225.95	
1½"	black	1-13/16"	100'		<i>WDH15BK100UC</i>	451.90	
2"	black	2-5/16"	50'		<i>WDH20BK50UC</i>	251.40	
2"	black	2-5/16"	100'		<i>WDH20BK100UC</i>	502.80	
2½"	black	2-13/16"	50'		<i>WDH25BK50UC</i>	352.15	
2½"	black	2-13/16"	100'		<i>WDH25BK100UC</i>	704.30	
3"	black	3¾"	50'		150 PSI	<i>WDH30BK50UC</i>	601.80
3"	black	3¾"	100'			<i>WDH30BK100UC</i>	1203.60
4"	black	4¾"	50'	<i>WDH40BK50UC</i>		742.10	
4"	black	4¾"	100'	<i>WDH40BK100UC</i>		1484.20	
6"	black	6¾"	50'	<i>WDH60BK50UC</i>		977.45	
6"	black	6¾"	100'	<i>WDH60BK100UC</i>		1954.90	





**NEW**

## Nitrile Washdown Hose

**Application:**

- ideal for industrial, agricultural and construction washdown and discharge applications, not for firefighting


**Features:**

- resistant to weather and abrasion
- working pressure: 200 PSI

**Coupled with NPSH female and male expansion ring couplings**


Size	Length	Part #	Price
1½"	50'	<i>WDH15BK50RAS</i>	<b>\$325.10</b>
1½"	100'	<i>WDH15BK100RAS</i>	<b>548.45</b>
2"	50'	<i>WDH20BK50RAS</i>	<b>394.60</b>
2"	100'	<i>WDH20BK100RAS</i>	<b>646.60</b>
2½"	50'	<i>WDH25BK50RAS</i>	<b>394.60</b>
2½"	100'	<i>WDH25BK100RAS</i>	<b>646.60</b>

**Coupled with NST female and male expansion ring couplings**


Size	Length	Part #	Price
1½"	50'	<i>WDH15BK50RAF</i>	<b>\$325.10</b>
1½"	100'	<i>WDH15BK100RAF</i>	<b>855.65</b>
2½"	25'	<i>WDH25BK25RAF</i>	<b>327.30</b>
2½"	50'	<i>WDH25BK50RAF</i>	<b>503.45</b>
2½"	100'	<i>WDH25BK100RAF</i>	<b>486.85</b>

**Coupled with MNPT x MNPT male expansion ring couplings**



Size	Length	Part #	Price
1½"	50'	<i>WDH15BK50RAT</i>	<b>\$325.10</b>
1½"	100'	<i>WDH15BK100RAT</i>	<b>548.45</b>
2"	50'	<i>WDH20BK50RAT</i>	<b>418.10</b>
2"	100'	<i>WDH20BK100RAT</i>	<b>670.10</b>

P



## Nitrile Washdown Hose

**NEW****Application:**

- ideal for industrial, agricultural, chemical and construction washdown and discharge applications, not for firefighting 

**Feature:**

- resistant to weather and abrasion

**Coupled with NPSH female and male King™ short shank couplings, crimp sleeve, aluminum shank with brass pin lug swivel nut**

Size	Length	Part #	Price
1½"	25'	<i>WDH15BK25KAS</i>	\$207.35
1½"	50'	<i>WDH15BK50KAS</i>	257.75
2"	25'	<i>WDH20BK25KAS</i>	227.90
2"	50'	<i>WDH20BK50KAS</i>	353.90
2½"	25'	<i>WDH25BK25KAS</i>	310.70
2½"	50'	<i>WDH25BK50KAS</i>	486.85
3"	25'	<i>WDH30BK25KAS</i>	408.95
3"	50'	<i>WDH30BK50KAS</i>	635.15



**Coupled with NST (NH) female and male King™ short shank couplings, crimp sleeve, aluminum shank with brass pin lug swivel nut**

Size	Length	Part #	Price
1½"	25'	<i>WDH15BK25KAF</i>	\$220.85
1½"	50'	<i>WDH15BK50KAF</i>	332.50
2½"	25'	<i>WDH25BK25KAF</i>	328.50
2½"	50'	<i>WDH25BK50KAF</i>	504.60



**Coupled with female and male (C & E) global aluminum cam and groove, crimp sleeve**

Size	Length	Part #	Price
1½"	25'	<i>WDH15BK25GAX</i>	\$187.60
1½"	50'	<i>WDH15BK50GAX</i>	269.20
2"	25'	<i>WDH20BK25GAX</i>	255.55
2"	50'	<i>WDH20BK50GAX</i>	381.55
2½"	25'	<i>WDH25BK25GAX</i>	278.50
2½"	50'	<i>WDH25BK50GAX</i>	454.65
3"	25'	<i>WDH30BK25GAX</i>	342.65
3"	50'	<i>WDH30BK50GAX</i>	568.90
4"	25'	<i>WDH40BK25GAX</i>	484.30
4"	50'	<i>WDH40BK50GAX</i>	777.85



## 300# Single Jacket All Polyester Fire Hose

### Features:

- outer construction: single jacket, all polyester
- tube construction: EPDM rubber lining
- proof pressure: **300 PSI**
- service test pressure: **150 PSI** at ambient temperature (70°F)
- working pressure: **135 PSI** at ambient temperature (70°F)
- 25' and 75' lengths, U/L labeled hoses and other threads and configurations are available, contact Dixon™

### Uncoupled



Size	Bowl	Length	Part #	Price/E
1½"	1-3/4"	50'	<b>A315-50UC</b>	<b>\$174.80</b>
1½"	1-3/4"	100'	<b>A315-100UC</b>	<b>349.60</b>
2"	2-1/4"	50'	<b>A320-50UC</b>	<b>296.80</b>
2"	2-1/4"	100'	<b>A320-100UC</b>	<b>593.55</b>
2½"	2-13/16"	50'	<b>A325-50UC</b>	<b>369.85</b>
2½"	2-13/16"	100'	<b>A325-100UC</b>	<b>612.50</b>
3"	3-3/8"	50'	<b>A330-50UC</b>	<b>498.85</b>
3"	3-3/8"	100'	<b>A330-100UC</b>	<b>997.70</b>

### Coupled with female and male expansion ring couplings



Size	Length	Part #	Rocker Lug	Rocker Lug	Pin Lug	Rocker Lug
			Aluminum NST (NH) RAF	Brass NST (NH) RBF	Brass NST (NH) PBF	Aluminum NPSH RAS
1½"	50'	<b>A315-50</b>	<b>\$266.25</b>	<b>\$336.80</b>	<b>\$321.25</b>	<b>\$279.10</b>
1½"	100'	<b>A315100</b>	<b>484.00</b>	<b>530.35</b>	<b>562.30</b>	<b>460.95</b>
2"	50'	<b>A320-50</b>	---	---	---	<b>566.60</b>
2"	100'	<b>A320100</b>	---	---	---	<b>901.70</b>
2½"	50'	<b>A325-50</b>	<b>430.10</b>	<b>664.55</b>	<b>742.70</b>	<b>430.10</b>
2½"	100'	<b>A325100</b>	<b>828.75</b>	<b>1001.30</b>	<b>1002.50</b>	<b>828.75</b>
3"	50'	<b>A330-50</b>	---	---	---	<b>841.95</b>
3"	100'	<b>A330100</b>	---	---	---	<b>1365.85</b>

- other threads and configurations available, contact Dixon™

## 500# Single Jacket All Polyester Fire Hose

**Features:**

- outer construction: single jacket, all polyester
- tube construction: EPDM rubber lining
- proof pressure: **500 PSI**
- service test pressure: **250 PSI** at ambient temperature (70°F)
- working pressure: **225 PSI** at ambient temperature (70°F)
- 75' lengths, U/L labeled hoses and other threads and configurations are available, contact Dixon™

**Uncoupled**

Size	Bowl	Length	Part #	Price/E
1"	1-1/4"	50'	<b>A510-50UC</b>	<b>\$173.65</b>
1"	1-1/4"	100'	<b>A510-100UC</b>	<b>330.80</b>
1½"	1-3/4"	50'	<b>A515-50UC</b>	<b>204.50</b>
1½"	1-3/4"	100'	<b>A515-100UC</b>	<b>382.10</b>
2½"	2-13/16"	50'	<b>A525-50UC</b>	<b>369.85</b>
2½"	2-13/16"	100'	<b>A525-100UC</b>	<b>644.80</b>



**Coupled with female and male expansion ring couplings**

Size	Length	Part #	Rocker Lug Aluminum NST (NH) RAF	Rocker Lug Brass NST (NH) RBF	Pin Lug Brass NST (NH) PBF	Rocker Lug Aluminum NPSH RAS
1"	50'	<b>A510-50</b>	---	---	---	<b>\$287.35</b>
1"	100'	<b>A510100</b>	---	---	---	<b>484.00</b>
1½"	25'	<b>A515-25</b>	<b>\$213.80</b>	---	---	<b>213.80</b>
1½"	50'	<b>A515-50</b>	<b>281.45</b>	<b>\$337.65</b>	<b>\$377.30</b>	<b>293.05</b>
1½"	75'	<b>A515-75</b>	<b>382.35</b>	---	---	---
1½"	100'	<b>A515100</b>	<b>462.10</b>	<b>525.15</b>	<b>559.30</b>	<b>470.20</b>
2½"	25'	<b>A525-25</b>	<b>353.10</b>	---	---	<b>353.10</b>
2½"	50'	<b>A525-50</b>	<b>472.15</b>	<b>664.55</b>	<b>742.70</b>	<b>472.15</b>
2½"	75'	<b>A525-75</b>	<b>542.65</b>	---	---	<b>542.65</b>
2½"	100'	<b>A525100</b>	<b>828.75</b>	<b>1001.30</b>	<b>1050.65</b>	<b>828.75</b>



- other threads and configurations available, contact Dixon™

## 500# Single Jacket All-Polyester Fire Hose - U/L labeled

**Features:**

- outer construction: single jacket, all polyester
- tube construction: EPDM rubber lining
- proof pressure: **500 PSI**
- service test pressure: **250 PSI** at ambient temperature (70°F)
- working pressure: **225 PSI** at ambient temperature (70°F)
- Underwriters Listed
- impregnated hose and other lengths threads and configurations are available, contact Dixon™

**Coupled with female and male expansion ring couplings**

Size	Bowl	Length	NST Thread Part #	NPSH Thread Part #	Price/E
1½"	combo lug, brass	50'	<b>A515U50CBF</b>	<b>A515U50CBS</b>	<b>\$378.60</b>
1½"	combo lug, brass	75'	<b>A515U75CBF</b>	<b>A515U75CBS</b>	<b>448.75</b>
1½"	combo lug, brass	100'	<b>A515U100CBF</b>	<b>A515U100CBS</b>	<b>593.20</b>
2½"	combo lug, brass	50'	<b>A525U50CBF</b>	---	<b>610.00</b>



P

## 500# Single Jacket All-Polyester Fire Hose - Color Impregnated



orange



red

**Features:**

- outer construction: single jacket, all polyester
- tube construction: EPDM rubber lining
- proof pressure: **500 PSI**
- service test pressure: **250 PSI**
- working pressure: **225 PSI** at ambient temperature (70°F)
- consult Dixon™ for pricing and availability of other colors, lengths, threads and configurations

**Coupled with female and male expansion ring couplings**

Size	Coupling Type	Length	Color	Part #	Price/E
1½"	rocker lug, aluminum, NST (NH)	50'	yellow	<b>A515Y50RAF</b>	<b>\$368.00</b>
1½"	rocker lug, aluminum, NPSH	50'	yellow	<b>A515Y50RAS</b> <b>NEW</b>	<b>368.00</b>
1½"	rocker lug, aluminum, NST (NH)	50'	red	<b>A515R50RAF</b>	<b>368.00</b>
1½"	rocker lug, aluminum, NPSH	50'	red	<b>A515R50RAS</b> <b>NEW</b>	<b>368.00</b>
1½"	rocker lug, aluminum, NST (NH)	50'	orange	<b>A515OR50RAF</b>	<b>368.00</b>
1½"	rocker lug, aluminum, NPSH	50'	orange	<b>A515OR50RAS</b>	<b>368.00</b>

## 800# Double Jacket All Polyester Fire Hose

**Features:**

- outer construction: double jacket, all polyester
- tube construction: EPDM rubber lining
- proof pressure: **800 PSI**
- service test pressure: **400 PSI**
- working pressure: **360 PSI** at ambient temperature (70°F)
- consult Dixon™ for pricing and availability of 75' lengths and other threads and configurations



**Coupled with female and male expansion ring couplings**

Size	Length	Part #	Rocker Lug Aluminum NST (NH) RAF	Rocker Lug Brass NST (NH) RBF	Pin Lug Brass NST (NH) PBF	Rocker Lug Aluminum NPSH RAS
1½"	25'	<b>D815-25</b>	<b>\$249.50</b>	---	---	---
1½"	50'	<b>D815-50</b>	<b>349.90</b>	<b>\$390.95</b>	<b>\$445.40</b>	<b>\$385.20</b>
1½"	75'	<b>D815-75</b> <b>NEW</b>	<b>536.95</b>	---	---	<b>516.90</b>
1½"	100'	<b>D815100</b>	<b>656.70</b>	<b>633.35</b>	<b>733.70</b>	<b>656.70</b>
2½"	25'	<b>D825-25</b>	<b>419.95</b>	---	---	---
2½"	50'	<b>D825-50</b>	<b>635.95</b>	<b>784.65</b>	<b>841.10</b>	<b>635.95</b>
2½"	75'	<b>D825-75</b> <b>NEW</b>	<b>707.05</b>	---	---	<b>713.05</b>
2½"	100'	<b>D825100</b>	<b>1094.50</b>	<b>1232.80</b>	<b>1324.95</b>	<b>958.15</b>

P

## 800# Double Jacket All-Polyester Fire Hose - Impregnated

**Features:**

- outer construction: double jacket, all polyester
- tube construction: black, synthetic rubber liner
- proof pressure: **800 PSI** at 70°F (21°C)
- service test pressure: **400 PSI** at 70°F (21°C)
- working pressure: **360 PSI** at 70°F (21°C)
- other lengths, threads and couplings and colors (yellow, red, blue, tan, orange, green, black) are available, contact Dixon™



**Coupled with female & male NST (NH) thread, rocker lug, AL expansion ring couplings**

Size	Length	Part #	Price/E
1½"	50'	<b>D815Y50RAF</b>	<b>\$413.00</b>
1½"	100'	<b>D815Y100RAF</b>	<b>722.70</b>
2½"	50'	<b>D825Y50RAF</b>	<b>715.65</b>
2½"	100'	<b>D825Y100RAF</b>	<b>1298.95</b>

**Coupled with female and male thread, rocker lug, AL expansion ring couplings**

Size	Thread	Length	Part #	Price/E
1½"	NPSH	50'	<b>D815Y50RAS</b>	<b>\$413.00</b>
1½"	NPSH	100'	<b>D815Y100RAS</b>	<b>722.70</b>

## MSHA Approved Mine Fire Hose

### Specifications:

- approved by MSHA : **M**ine **S**afety and **H**ealth **A**dministration for all mine fire protection applications

### Single Jacket

#### Features:

- outer construction: single jacket, synthetic flame resistant
- tube construction: flame resistant lining
- proof pressure: **500 PSI** at 70°F (21°C)
- service test pressure: **250 PSI** at 70°F (21°C)
- working pressure: **225 PSI** at 70°F (21°C)

**Coupled with female and male aluminum rocker lug expansion ring couplings**

Size	Length	Thread	Part #	Price
1½"	50'	NST (NH)	<b>SM515W50RAF</b>	<b>\$561.05</b>
1½"	50'	NPSH	<b>SM515W50RAS</b>	<b>561.05</b>



### Double Jacket

#### Features:

- outer construction: double jacket, synthetic flame resistant
- tube construction: flame resistant lining
- proof pressure: **800 PSI** at 70°F (21°C)
- service test pressure: **400 PSI** at 70°F (21°C)
- working pressure: **360 PSI** at 70°F (21°C)

**Coupled with female and male aluminum rocker lug expansion ring couplings**

Size	Length	Thread	Part #	Price
1½"	50'	NST (NH)	<b>DM815W50RAF</b>	<b>\$660.00</b>
1½"	50'	NPSH	<b>DM815W50RAS</b>	<b>660.00</b>



## Double Jacket Potable Water Hose - Blue

#### Features:

- outer construction: double jacket, all polyester
- tube construction: thermoplastic
- NSF approved liner for potable water
- proof pressure: **600 PSI** at 70°F (21°C)
- service test pressure: **300 PSI** at 70°F (21°C)
- working pressure: **270 PSI** at 70°F (21°C)

**Coupled with female and male thread, rocker lug, expansion ring couplings**

Size	Length	Thread	Brass Part #	Price/E	Aluminum Part #	Price/E
1½"	50'	NPSH	<b>PW615B50RBS</b>	<b>\$514.75</b>	<b>PW615B50RAS</b>	<b>\$484.00</b>
1½"	100'	NPSH	<b>PW615B100RBS</b>	<b>959.20</b>	<b>PW615B100RAS</b>	<b>859.10</b>
1½"	50'	NST (NH)	<b>PW615B50RBF</b>	<b>565.30</b>	<b>PW615B50RAF</b>	<b>484.00</b>
1½"	100'	NST (NH)	<b>PW615B100RBF</b>	<b>959.20</b>	<b>PW615B100RAF</b>	<b>859.10</b>
2½"	50'	NPSH	<b>PW625B50RBS</b>	<b>1019.35</b>	<b>PW625B50RAS</b>	<b>761.75</b>
2½"	100'	NPSH	<b>PW625B100RBS</b>	<b>1647.75</b>	<b>PW625B100RAS</b>	<b>1363.10</b>
2½"	50'	NST (NH)	<b>PW625B50RBF</b>	<b>1019.35</b>	<b>PW625B50RAF</b>	<b>761.75</b>
2½"	100'	NST (NH)	<b>PW625B100RBF</b>	<b>1647.75</b>	<b>PW625B100RAF</b>	<b>1363.10</b>



P

## UL 500# All Polyester Rack Hose - Brass Couplings U/L Labeled



folded



coiled

**Application:**

- for pin rack service / emergency fire fighting only, not to be used for washdown



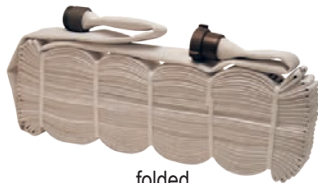
**Features:**

- outer construction: single jacket, all polyester
- tube construction: clear thermoplastic
- proof pressure: **300 PSI** at ambient temperature (70°F)
- service test pressure: **150 PSI** at ambient temperature (70°F)
- working pressure: **135 PSI** at ambient temperature (70°F)
- Underwriters Listed

**Coupled with female and male brass combo lug expansion ring couplings**

Size	Length	Thread	Folded Part #	Price	Coiled Part #	Price
1½"	50'	NST (NH)	<b>R515U50CBF/F</b>	<b>\$274.95</b>	<b>R515U50CBF</b>	<b>\$274.95</b>
1½"	100'	NST (NH)	<b>R515U100CBF/F</b>	<b>486.85</b>	<b>R515U100CBF</b>	<b>486.85</b>

## UL 500# All Polyester Rack Hose - Aluminum Couplings U/L Labeled



folded

**Coupled with female and male aluminum rocker lug expansion ring couplings**

Size	Length	Thread	Folded Part #	Price	Coiled Part #	Price
1½"	50'	NST (NH)	<b>R515U50RAF/F</b>	<b>\$258.60</b>	<b>R515U50RAF</b>	<b>\$258.60</b>
1½"	100'	NST (NH)	<b>R515U100RAF/F</b>	<b>458.20</b>	<b>R515U100RAF</b>	<b>458.20</b>

## 500# All Polyester Rack Hose - Brass Couplings non-U/L Labeled



folded



coiled

**Application:**

- for pin rack service / emergency fire fighting only, not to be used for washdown



**Features:**

- outer construction: single jacket, all polyester
- tube construction: clear thermoplastic
- proof pressure: **500 PSI** at ambient temperature (70°F)
- service test pressure: **250 PSI** at ambient temperature (70°F)
- working pressure: **225 PSI** at ambient temperature (70°F)

**Coupled with female and male brass combo lug expansion ring couplings**

Size	Length	Thread	Folded Part #	Price	Coiled Part #	Price
1½"	50'	NST (NH)	<b>R515-50CBF/F</b>	<b>\$252.35</b>	<b>R515-50CBF</b>	<b>\$252.35</b>
1½"	100'	NST (NH)	<b>R515100CBF/F</b>	<b>402.35</b>	<b>R515100CBF</b>	<b>413.45</b>

## 500# All Polyester Rack Hose - Aluminum Couplings non-U/L Labeled



coiled

**Coupled with female and male aluminum rocker lug expansion ring couplings**

Size	Length	Thread	Folded Part #	Price	Coiled Part #	Price
1½"	50'	NST (NH)	<b>R515-50RAF/F</b>	<b>\$227.90</b>	<b>R515-50RAF</b>	<b>\$239.30</b>
1½"	100'	NST (NH)	<b>R515100RAF/F</b>	<b>378.00</b>	<b>R515100RAF</b>	<b>355.95</b>

## 400# Nitrile Covered Fire Hose - Light Duty Red

### Application:

- ideal for industrial and construction washdown and discharge applications

### Features:

- synthetic rubber compound formulated for flexibility and abrasion and chemical resistance
- ribbed for hose protection and easy handling
- outer construction: thin ribbed nitrile
- tube construction: nitrile
- proof pressure: **400 PSI** at ambient temperature (70°F)
- service test pressure: **200 PSI** at ambient temperature (70°F)
- working pressure: **180 PSI** at ambient temperature (70°F)

### Uncoupled

Size	Bowl	Length	Part #	Price/E
2"	2¼"	50'	<b>H420R50UC</b>	<b>\$545.30</b>



### Coupled with Female and Male NPSH brass rocker lug expansion ring couplings

Size	Length	Part #	Price/E
2"	50'	<b>H420R50RBS</b>	<b>\$871.40</b>



- other lengths, threads and couplings are available, contact Dixon™

## 500# Nitrile Covered Fire Hose - Light Duty Red

### Application:

- ideal for industrial and construction washdown and discharge applications

### Features:

- outer construction: thin ribbed nitrile
- tube construction: nitrile
- proof pressure: **500 PSI** at ambient temperature (70°F)
- service test pressure: **250 PSI** at ambient temperature (70°F)
- working pressure: **225 PSI** at ambient temperature (70°F)
- 25' lengths, other colors, threads and configurations are available, consult Dixon™

### Uncoupled

Size	Bowl	Length	Part #	Price/E
1½"	1-13/16"	50'	<b>H515R50UC</b>	<b>\$429.70</b>
2½"	2-13/16"	50'	<b>H525R50UC</b>	<b>663.00</b>
1½"	1-13/16"	100'	<b>H515R100UC</b>	<b>781.20</b>
2½"	2-13/16"	100'	<b>H525R100UC</b>	<b>1147.25</b>



P

### Coupled with female and male expansion ring couplings

Size	Length	Part #	Rocker Lug Aluminum NST (NH) RAF	Rocker Lug Brass NST (NH) RBF	Pin Lug Brass NST (NH) PBF	Rocker Lug Aluminum NPSH RAS
1½"	50'	<b>H515R50</b>	<b>\$488.95</b>	<b>\$540.80</b>	<b>\$661.55</b>	<b>\$538.25</b>
2½"	50'	<b>H525R50</b>	<b>799.85</b>	<b>876.70</b>	<b>965.20</b>	<b>799.85</b>
1½"	100'	<b>H515R100</b>	<b>1016.65</b>	---	---	<b>1144.20</b>
2½"	100'	<b>H525R100</b>	<b>1386.00</b>	---	---	<b>1363.10</b>



- other lengths, threads and couplings and other colors (yellow, red, blue and black) are available, contact Dixon™



## Nitrile Covered Fire Hose - Heavy Duty - Yellow

### Application:

- ideal for heavy-duty washdown, refineries and power plants

### Features:

- Extruded interlocking matrix fire hose with 100% synthetic circular woven polyester reinforcement.
- heavy ribbed for severe service
- outer construction: thick ribbed nitrile
- tube construction: nitrile
- proof pressure at ambient temperature (70°F):
  - 1½" - 3": **600 PSI**
  - 4": **450 PSI**
  - 5": **400 PSI**
  - 6": **300 PSI**
- service test pressure at ambient temperature (70°F):
  - 1½" - 3": **300 PSI**
  - 4": **225 PSI**
  - 5": **200 PSI**
  - 6": **150 PSI**
- working pressure at ambient temperature (70°F):
  - 1½" - 3": **270 PSI**
  - 4": **200 PSI**
  - 5": **180 PSI**
  - 6": **135 PSI**
- 25' lengths, other colors, threads and configurations are available, contact Dixon™

### Uncoupled



Size	Bowl	Length	Part #	Price/E
1"	1-1/4"	50'	<b>NEW</b> H610Y50UC	\$332.20
1½"	1-13/16"	50'	H615Y50UC	499.15
2"	2-1/4"	50'	H620Y50UC	622.45
2½"	2-13/16"	50'	H625Y50UC	751.70
3"	3-3/8"	50'	H630Y50UC	844.95
4"	4-3/8"	50'	H440Y50UC	1108.85
5"	5-3/8"	50'	H450Y50UC	1111.10
6"	6-3/8"	50'	H360Y50UC	1786.10

### Coupled with female and male expansion ring couplings



Size	Length	Part #	Rocker Lug Aluminum NST (NH) RAF	Rocker Lug Brass NST (NH) RBF	Pin Lug Brass NST (NH) PBF	Rocker Lug Aluminum NPSH RAS
1"	50'	H610Y50	\$410.55	---	---	\$498.30
1½"	50'	H615Y50	572.75	\$631.45	\$730.70	572.75
2½"	50'	H625Y50	920.10	982.20	1052.40	920.10
1½"	100'	H615Y100	1106.55	---	---	918.50
2½"	100'	H625Y100	1534.95	---	---	1534.95

### Coupled with female and male segmented collar style couplings



Size	Length	Storz size	Part #	Price/E
4"	50'	4"	H440Y50SZ	\$1575.60
5"	50'	5"	H450Y50SZ	1858.25
6"	50'	6"	H360Y50SZ	3181.55
4"	100'	4"	H440Y100SZ	2459.50
5"	100'	5"	H450Y100SZ	3154.05

### Features:

- working pressures can be achieved using appropriate expansion ring couplings
- under no circumstance should the hose be used beyond the working pressure of the fittings to which it is coupled
- assembled hose should be hydrostatically proof tested before use, and thereafter in accordance with NFPA 1962



## Non-collapsible Chemical Booster Hose - Red

### Features:

- outer cover material: specially compounded red EPDM tough cover
- inner tube material: smooth black synthetic EPDM rubber
- reinforced with multiple plies of high tensile Aramid yarn providing flexible strength
- ¾" diameter hose is coupled with 1" threaded couplings
- meets and exceeds NFPA standard 1961
- working pressure: **800 PSI**

### Coupled with female and male NST (NH) thread, chromed brass hole type couplings

Size	Length	Part #	Price/E
¾"	50'	<b>80B07-50HCF</b>	<b>\$1191.30</b>
¾"	100'	<b>80B07-100HCF</b>	<b>1901.50</b>
1"	50'	<b>80B10-50HCF</b>	<b>1431.85</b>
1"	100'	<b>80B10-100HCF</b>	<b>2348.20</b>



### Coupled with female and male NST (NH) thread, rocker lug, aluminum expansion ring couplings

**NEW**

Size	Length	Part #	Price/E
¾"	50'	<b>80B07-50HAF</b>	<b>\$896.25</b>
¾"	100'	<b>80B07-100HAF</b>	<b>1701.00</b>
1"	50'	<b>80B10-50HAF</b>	<b>1096.80</b>
1"	100'	<b>80B10-100HAF</b>	<b>2147.75</b>

## Lightweight Non-collapsible Chemical Booster Hose - Red

### Features:

- single jacket construction, abrasion resistant cover
- rigid helical reinforcement
- lightweight, kink, ozone and chemical resistant
- 10" minimum bend radius
- **-30°F to 112°F**
- working pressure: **300 PSI**
- lengths up to 200' available as special order

### Coupled with female and male aluminum

Size	Thread	Length	Part #	Price/E
1"	NPSH	50'	<b>BL810R50RAS</b>	<b>\$744.55</b>
1"	NPSH	100'	<b>BL810R100RAS</b>	<b>1317.30</b>
1"	NH (NST)	50'	<b>BL810R50RAF</b>	<b>744.55</b>
1"	NH (NST)	100'	<b>BL810R100RAF</b>	<b>1353.10</b>

**NEW**



P

## Non-collapsible Fire and Utility Hose - Red

**Features:**

- outer construction is designed to withstand abrasion
- working pressure: **200 PSI** at ambient temperature (70°F)
- burst pressure: **600PSI** at ambient temperature (70°F)
- consult Dixon™ for pricing and availability of other lengths, threads and configurations
- also available with chrome brass fittings

**Coupled with female and male NST (NH) thread, rocker lug, brass expansion ring couplings**

Size	Length	Part #	List Price
1½"	50'	<b>15B15-50RBF</b>	<b>\$1173.10</b>
1½"	75'	<b>15B15-75RBF</b>	<b>1632.30</b>
1½"	100'	<b>15B15-100RBF</b>	<b>1953.70</b>



**Coupled with female and male NPSH thread, rocker lug, brass expansion ring couplings**

Size	Length	Part #	List Price
1½"	50'	<b>15B15-50RBS</b>	<b>\$1173.10</b>
1½"	75'	<b>15B15-75RBS</b>	<b>1632.30</b>
1½"	100'	<b>15B15-100RBS</b>	<b>1953.70</b>



**Coupled with female and male NST (NH) thread, rocker lug, aluminum expansion ring couplings**

Size	Length	Part #	List Price
1½"	50'	<b>15B15-50RAF</b>	<b>\$864.85</b>
1½"	75'	<b>15B15-75RAF</b>	<b>1106.00</b>
1½"	100'	<b>15B15-100RAF</b>	<b>1450.00</b>



**Coupled with female and male NPSH thread, rocker lug, aluminum expansion ring couplings**

Size	Length	Part #	List Price
1½"	50'	<b>15B15-50RAS</b>	<b>\$864.85</b>
1½"	75'	<b>15B15-75RAS</b>	<b>1106.00</b>
1½"	100'	<b>15B15-100RAS</b>	<b>1450.00</b>

P

## Brass Female to Male Hex Nipples

**Feature:**

- required to switch hose from NPT to NST, or NST to NPT for continuous flow reels



Female Thread	Male Thread	Cast Brass Part #	Price
1½" NPT	1½" NST (NH)	<b>FM1515F</b>	<b>\$20.60</b>
1½" NST (NH)	1½" NPT	<b>FM15F15T</b>	<b>18.40</b>

- All adapters are made to approved Dixon™ specifications.

## Style Brute Expanders

### Model 2

#### Bench Model Electric/Hydraulic

**Features:**

- designed for hose manufacturers and higher volume
- may be used to attach 1" thru 6" couplings
- 3,000 lb pump, 2,500 lb. workable
- 3,450 RPM, 1½ horsepower, single phase, 220 volt motor
- cylinder has 6" stroke, 4" bore, and 38,000 lbs of total thrust
- oil capacity: 9 gallons
- manually set external pressure relief valve
- size: 22" wide x 22" deep x 16" high



Part #	Price/E
<b>Brute2</b>	<b>\$29203.10</b>

### X-Pander

#### Compact Hand Pump

**Features:**

- designed for forestry service, fire departments, small distributors and ski areas
- all-in-one design means fewer parts and no hydraulic connections making the X-Pander reliable and service free
- may be used to attached 1" thru 3" couplings
- ideal for in-house use or mounted in a service van for field repairs
- size: 13" wide x 17" deep x 10" high



Part #	Price/E
<b>BruteXpand</b>	<b>\$11943.10</b>

### Expansion Unit Assemblies

Size	Steel Part #	Price/E
1½"	<b>16154</b>	<b>\$1557.85</b>
1½" rack	<b>16101-RH</b>	<b>1477.65</b>
1¾"	<b>16167</b>	<b>1557.85</b>
2½" (Storz also)	<b>16171</b>	<b>1555.85</b>

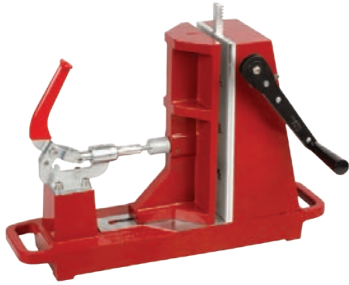


P

- expansion ring and gasket guide can be found on page 654

**NEW**

## Layflat Hose Cutter



**Features:**

- heavy duty, powder coated construction for a durable finish
- easy and safe to use
- makes clean, straight cuts on hose up to 6"
- ratchet handle raises and lowers steel blade
- handgrips for easy transporting

Aluminum Part #	Price
<b>HOSECUTTER</b>	<b>\$5290.60</b>

**NEW**



## Threaded Couplings

**Features:**

- for use on any 1½" single jacket hose when the OD is not larger than 1¾"
- completely reusable, may be permanently installed by hand without the use of tools
- Factory Mutual approved
- lightweight




Size	Material	Part #	Price
1½" NST	aluminum	<b>HC15F-A</b>	<b>\$473.10</b>
1½" NPSH	aluminum	<b>HC15S-A</b>	<b>473.10</b>
1½" NST	brass	<b>HC15F-B</b>	<b>570.65</b>
1½" NPSH	brass	<b>HC15S-B</b>	<b>570.65</b>

**NEW**



## One Minute Fire Hose Menders

**Features:**

- easy, quick, economical way to make emergency repairs of any single jacket fire hose of 1½" to 1¾" maximum OD, installed in 1 minute without tools
- Factory Mutual approved for temporary emergency use only 
- easily removed for repeated use
- withstands 800 PSI
- lightweight
- brushed aluminum finish



Size	Brushed Aluminum Part #	Price
1"	<b>HOSEMEND1</b>	<b>\$179.40</b>
1½"	<b>HOSEMEND15</b>	<b>190.55</b>

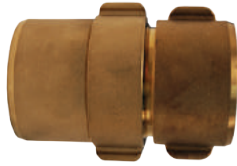
P

## Expansion Ring Fire Hose Couplings

**Features:**

- special tooling is required to attach these couplings to hose (see page 651 for machine)
- all couplings come complete with expansion rings, swivel and tail washers
- for females only, use 2/3 set price, for males only, use 1/2 set price, both shipped from the factory only
- aluminum expansion ring couplings have 3 rocker lugs on the male and female
- now stocking popular sizes in male and female only

### Brass Rocker Lug



Complete Set

**Rack Hose**

(no lugs on male)

Size	Thread	Bowl	Brass Part #	Price/E
1½"	NPSH	1-11/16"	<b>RRH15168</b>	<b>\$102.55</b>
1½"	NST (NH)	1-11/16"	<b>RRH15168F</b>	<b>102.55</b>

**Single Jacket**

Size	Thread	Bowl	Brass Part #	Price/E
1½"	NPSH	1-3/4"	<b>RS15175</b>	<b>\$141.95</b>
1½"	NPSH	1-13/16"	<b>RS15181</b>	<b>135.20</b>
2½"	NPSH	2-13/16"	<b>RS25281</b>	<b>263.50</b>
1½"	NST (NH)	1-3/4"	<b>RS15175F</b>	<b>135.20</b>
1½"	NST (NH)	1-13/16"	<b>RS15181F</b>	<b>135.20</b>
2½"	NST (NH)	2-13/16"	<b>RS25281F</b>	<b>263.50</b>

**Double Jacket**

Size	Thread	Bowl	Brass Part #	Price/E
1½"	NPSH	1-15/16"	<b>RD15193</b>	<b>\$127.35</b>
1½"	NPSH	2-1/16"	<b>RD15206</b>	<b>128.90</b>
2½"	NPSH	3"	<b>RD253</b>	<b>274.95</b>
1½"	NST (NH)	1-15/16"	<b>RD15193F</b>	<b>127.35</b>
2½"	NST (NH)	3"	<b>RD253F</b>	<b>274.95</b>

### Aluminum Rocker Lug



Complete Set

**Single Jacket**

Size	Thread	Bowl	Aluminum Part #	Price/E
1"	NPSH	1-1/4"	<b>S10125</b>	<b>\$51.55</b>
1½"	NPSH	1-3/4"	<b>S16175</b>	<b>55.00</b>
1½"	NPSH	1-11/16"	<b>S16168</b>	<b>54.90</b>
1½"	NPSH	1-13/16"	<b>S16181</b>	<b>55.00</b>
2"	NPSH	2-1/4"	<b>S20225</b>	<b>96.80</b>
2"	NPSH	2-3/8"	<b>S20375</b>	<b>97.85</b>
2½"	NPSH	2-13/16"	<b>S26281</b>	<b>102.50</b>
1½"	NST (NH)	1-11/16"	<b>S16168F</b>	<b>54.90</b>
1½"	NST (NH)	1-3/4"	<b>S16175F</b>	<b>55.00</b>
1½"	NST (NH)	1-13/16"	<b>S16181F</b>	<b>54.90</b>
2½"	NST (NH)	2-11/16"	<b>S26268F</b>	<b>107.40</b>
2½"	NST (NH)	2-13/16"	<b>S26281F</b>	<b>102.50</b>
1½"	MNPT	1-11/16"	<b>MS16168T<sup>1</sup></b>	<b>47.55</b>
1½"	MNPT	1-3/4"	<b>MS16175T<sup>1</sup></b>	<b>41.50</b>
2"	MNPT	2-1/4"	<b>MS20225T<sup>1</sup></b>	<b>60.20</b>
2½"	MNPT	2-11/16"	<b>MS26268T<sup>1</sup></b>	<b>75.65</b>

<sup>1</sup> male fitting only

**Double Jacket**

Size	Thread	Bowl	Aluminum Part #	Price/E
1½"	NPSH	1-13/16"	<b>D16181</b>	<b>\$55.00</b>
1½"	NPSH	1-15/16"	<b>D16193</b>	<b>59.85</b>
1½"	NPSH	2-1/16"	<b>D16206</b>	<b>62.35</b>
2"	NPSH	2-5/16"	<b>D20231</b>	<b>96.95</b>
2½"	NPSH	3"	<b>D263</b>	<b>107.60</b>
1½"	NST (NH)	1-13/16"	<b>D16181F</b>	<b>54.90</b>
1½"	NST (NH)	1-15/16"	<b>D16193F</b>	<b>59.85</b>
1½"	NST (NH)	2-1/16"	<b>D16206F</b>	<b>62.35</b>
2½"	NST (NH)	2-7/8"	<b>D26287F</b>	<b>111.15</b>
2½"	NST (NH)	3"	<b>D263F</b>	<b>110.95</b>
1½"	MNPT	1-13/16"	<b>MD16181T<sup>1</sup></b>	<b>47.55</b>
2"	MNPT	2-5/16"	<b>MD20231T<sup>1</sup></b>	<b>61.60</b>
2½"	MNPT	2-7/8"	<b>MD26287T<sup>1</sup></b>	<b>75.65</b>

<sup>1</sup> male fitting only

## Expansion Rings

**Feature:**

- used with the fire hose couplings listed on page 653

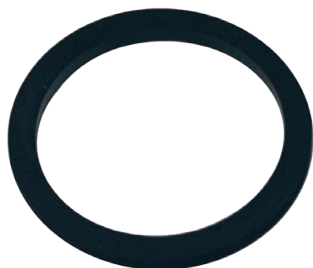


OD	Length	Wall Thickness	85/15 red brass Part #	Price/E
1"	1¼"	.05	<b>ER10125</b>	<b>\$8.50</b>
1½"	¾"	.05	<b>ER1575</b>	<b>8.40</b>
1½"	⅞"	.05	<b>ER1587</b>	<b>9.55</b>
1½"	1"	.05	<b>ER1510</b>	<b>9.85</b>
1½"	1¼"	.05	<b>ER15125</b>	<b>9.85</b>
1¾"	1¼"	.05	<b>ER17125</b>	<b>13.45</b>
2½"	1¼"	.062	<b>ER27125</b>	<b>17.80</b>
2½"	1½"	.062	<b>ER27150</b>	<b>17.80</b>
3"	2"	.07	<b>ER3020</b>	<b>29.90</b>
4"	2"	.092	<b>ER4020</b>	<b>48.85</b>

## Fire Hose Coupling Washers Swivel Washers

**Feature:**

- used on the swivel end of the fire hose couplings listed on page 653



ID	OD	Thickness	Buna-N Part #	Price/E
1-1/16"	1-7/16"	1/8"	<b>SW100F</b>	<b>\$2.00</b>
1-9/16"	2-1/16"	1/8"	<b>SW150</b>	<b>2.00</b>
2-1/16"	2½"	1/8"	<b>SW200</b>	<b>8.65</b>
2-9/16"	3-3/16"	3/16"	<b>SW250</b>	<b>3.25</b>
3-1/16"	3-3/4"	1/4"	<b>SW300F</b>	<b>6.85</b>
4-1/16"	5-1/8"	1/4"	<b>SW400F</b>	<b>9.20</b>
4-9/16"	5-7/8"	1/4"	<b>SW450F</b>	<b>10.25</b>
5-1/16"	6-3/8"	1/4"	<b>SW500F</b>	<b>15.20</b>
6-1/16"	7-1/8"	1/4"	<b>SW600F</b>	<b>19.75</b>

## Tail Washers

**Feature:**

- used on the tail end of the fire hose couplings listed on page 653



ID	OD	Thickness	Buna-N Part #	Price/E
1-1/32"	1-5/16"	3/16"	<b>STW100</b>	<b>\$2.90</b>
1-9/16"	1-3/4"	3/16"	<b>RTW150</b>	<b>1.95</b>
1-9/16"	1-15/16"	3/16"	<b>STW150</b>	<b>1.85</b>
1-5/8"	2-1/8"	3/16"	<b>DTW150</b>	<b>1.95</b>
2-9/16"	3"	1/4"	<b>STW250</b>	<b>4.00</b>
2-5/8"	3-1/4"	1/4"	<b>DTW250</b>	<b>3.25</b>
3-1/8"	3-25/32"	1/4"	<b>DTW300</b>	<b>6.80</b>

## Aluminum Hose Type Booster Hose Couplings

### Features:

- special tooling is required to attach these couplings to hose
- hardcoat finish
- complete set
- working pressure: **800 PSI** at ambient temperature (70°F)
- ¾" and 1" NST threads are the same size; also known as **Chemical Hose Thread (CHT)** or **Booster Hose Thread**

Hose Size	Thread Type	Bowl Size	Aluminum Hardcoat Part #	Price/E
¾"	1" NPSH	1-3/16"	<b>ABH08118</b>	<b>\$213.35</b>
¾"	1" NPSH	1-1/4"	<b>ABH08125</b>	<b>213.35</b>
1"	1" NST (NH)	1-7/16"	<b>ABH10143F</b>	<b>226.25</b>
1"	1" NST (NH)	1-1/2"	<b>ABH10150F</b>	<b>226.25</b>
1"	1" NPSH	1-1/2"	<b>ABH10150S</b>	<b>210.00</b>
1"	1" NST (NH)	1-9/16"	<b>ABH10156F</b>	<b>226.25</b>



## Brass Hole Type Booster Hose Couplings

### Features:

- special tooling is required to attach these couplings to hose
- polished chrome plated
- complete set
- working pressure: **800 PSI** at ambient temperature (70°F)
- ¾" and 1" NST threads are the same size; also known as **Chemical Hose Thread (CHT)** or **Booster Hose Thread**

Hose Size	Thread Type	Bowl Size	Brass Part #	Price/E
¾"	¾" NST (NH)	1-3/16"	<b>BW07118F-PC</b>	<b>\$390.65</b>
¾"	¾" NST (NH)	1-1/4"	<b>BW07125F-PC</b>	<b>390.65</b>
1"	1" NST (NH)	1-7/16"	<b>BW10143F-PC</b>	<b>452.20</b>
1"	1" NST (NH)	1-1/2"	<b>BW10150F-PC</b>	<b>438.10</b>
1"	1" NPSH	1-1/2"	<b>BW10150S-PC</b>	<b>438.10</b>
1"	1" NST (NH)	1-9/16"	<b>BW10156F-PC</b>	<b>452.20</b>



## Booster Hose Installation Kit

### Feature:

- set includes: 2 aluminum clamps, key, wrench and a half pint of tar lube

Hose Size	Brass Part #	Price/E
¾"	<b>BW75AT</b>	<b>\$767.75</b>
1"	<b>BW10AT</b>	<b>966.20</b>



P





## Pin Rack Hose Assembly



**Features:**

- components include: rack nipple, U/L **300 PSI** angle valve, semi-automatic fire hose pin rack, brass rack nozzle, and a length of 1½" pin rack hose
- U/L listed and Factory Mutual approved
- Per NFPA 1962, Chap. 4, in-service hose shall be un-racked and physically inspected at least annually.



NST (NH) Thread	Hose	Part #	Price/E
1½"	50'	<b>FHPR150-50CBF</b>	<b>\$973.65</b>
1½"	75'	<b>FHPR150-75CBF</b>	<b>1071.00</b>
1½"	100'	<b>FHPR150-100CBF</b>	<b>1088.20</b>

## Semi Automatic Fire Hose Pin Racks



**Features:**

- red steel enameled
- holds up to 100' of either 1½" or 2½" rack hose
- 1½" is U/L listed and Factory Mutual approved

Hose Size	For use with:		Steel Part #	Price/E
	Valve	Nipple		
1½"	AVF150	PRN150F	<b>FHPR150</b>	<b>\$151.50</b>
2½"	AVF250	PRN250F	<b>FHPR2515</b>	<b>183.30</b>

## Pin Rack Covers



**Features:**

- 10 oz. red vinyl with Velcro™ closures
- used on FHPR150, FHPR150-50CBF, FHPR150-75CBF, FHPR150-100CBF

Size	Vinyl Part #	Price/E
25" x 30" x 6"	<b>PRC</b>	<b>\$57.30</b>
25" x 30" x 6"	<b>PRC-SPANISH</b>	<b>57.30</b>

P

## Pin Rack Nipples



**Feature:**

- finishes: -C polished chrome plated

Male NPT	Male	Brass Part #	Price/E
1½"	1½" NST (NH)	<b>PRN150F</b>	<b>\$36.60</b>
1½"	1½" NST (NH)	<b>PRN150F-C</b>	<b>51.25</b>
2½"	2½" NST (NH)	<b>PRN250F</b>	<b>120.55</b>
2½"	2½" NST (NH)	<b>PRN250F-C</b>	<b>202.00</b>

## Pin Rack Wall Bracket



**Application:**


- used to support hose rack independent of a stand pipe valve

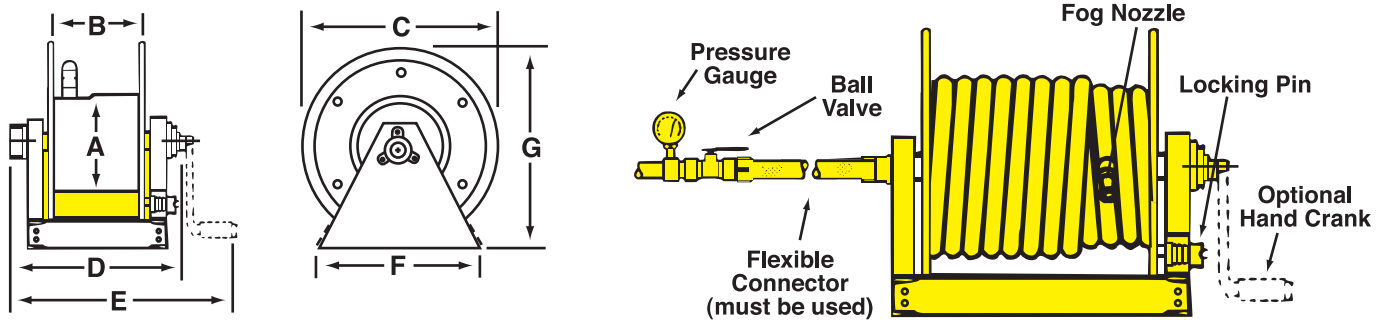
Aluminum Part #	Price/E
<b>PRWB</b>	<b>\$107.25</b>

## Continuous Flow Reels

**Features:**

- allows immediate and continuous flow of water at all times during deployment of hose
- one-person operation
- use with non-collapsible hose shown on page 650
- powder coated with an electrostatically-applied, thermally-fused, red polyester finish steel drum
- rims and universal mounting stand
- female NPT inlet with male NST (NH) hose thread outlet

A flexible connector assembly must be installed directly between the hose reel inlet hub and the water supply.   
*Failure to use the flexible connector assembly shall void the warranty.*



**Dimensions**

Part #	Hose Size and Capacity			A	B	C	D	E	F	G	Inlet Size (inches)	Outlet Size (inches)	Price/E
	3/4"	1"	1 1/2"										
<b>CFR47-1-100</b>	150	125	---	10 1/2	11 1/2	24	19 1/4	24	21 3/4	26	1	1	<b>\$2130.55</b>
<b>CFR47-150-100</b>	250	150	100	10 1/2	20 1/2	24	28 1/4	33	21 3/4	26	1 1/2	1 1/2	<b>2130.55</b>
<b>CFR47-1-200</b>	400	300	150	10 1/2	28	24	35 1/4	40 1/2	21 3/4	26	1 1/2	1 1/2	<b>2205.00</b>
<b>CFR47-150-200</b>	---	---	200	10 1/2	34	24	41 1/4	46 1/2	21 3/4	26	1 1/2	1 1/2	<b>2233.65</b>

**Optional Accessories**

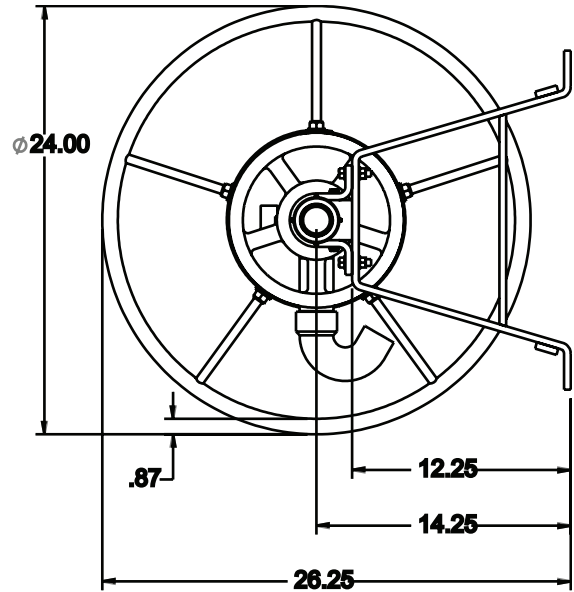
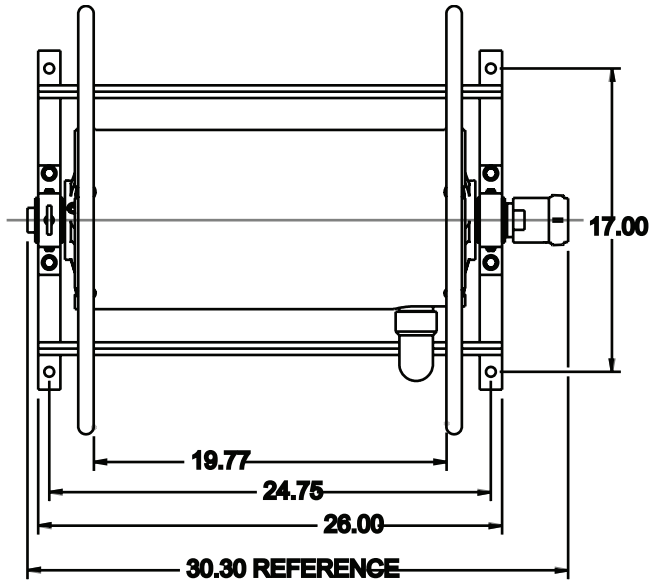
Description	Part #	Price/E
1" x 18" flexible connector (male NPT x male NPT)	<b>DX2836</b>	<b>\$189.00</b>
1 1/2" x 18" flexible connector (male NPT x male NPT)	<b>DX2839</b>	<b>189.00</b>
hand crank	<b>CFR-HC</b>	<b>150.00</b>
repair kit: contains O-ring, PTFE retaining ring for the inlet casting, spacer washer, and 2 steel retaining rings for the manifold	<b>CFR-RK</b>	<b>128.00</b>

## Continuous Flow Hose Reel Covers

Cover for	Dimensions H x W x D	Vinyl Part #	Price/E
CFR47-1-100	26" x 20" x 26"	<b>CFR47-C1</b>	<b>\$136.90</b>
CFR47-1-200	26" x 36" x 26"	<b>CFR47-C2</b>	<b>186.45</b>
CFR47-150-100	26" x 29" x 26"	<b>CFR47-C3</b>	<b>182.00</b>
CFR47-150-200	26" x 42" x 26"	<b>CFR47-C4</b>	<b>202.80</b>



## Global Continuous Flow Reels (re-designed Wirt & Knox reel)



**Features:**

- newly re-designed with greaseless swivel and reel bearings for improved performance
- optional adapters (order separately):  
 Factory Mutual15S15F = 1½" FNPSH x 1½" MNST brass  
 Factory Mutual1515F = 1½" FNPT x 1½" MNST brass



Steel Part #	Hose Size and Capacity			Inlet Size (inches)	Outlet Size (inches)	Price/E
	¾"	1"	1½"			
<b>FD47IR-150-100</b>	250'	150'	100'	1½ NPT	1½ NPT	<b>\$967.95</b>

## Global Continuous Flow Hose Reel Covers



Cover for	Dimensions	Vinyl Part #	Price/E
FD47IR-150-100	22" x 24" x 24"	<b>FD47-C2</b>	<b>\$195.00</b>

## Replacement Inlet Swivel Joints for FD47I-150-100 (old Wirt & Knox design) Continuous Flow Reels

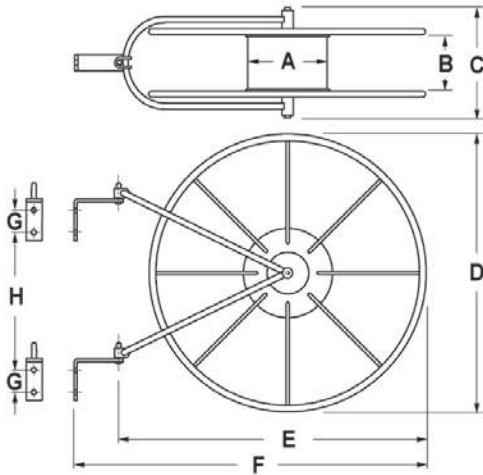


Size	Steel Part #	List Price
1"	<b>1212-0534-4</b>	<b>\$458.20</b>
1½"	<b>1212-0540-4</b>	<b>378.00</b>

## Style V Swing Type Hose Storage Reels

**Features:**

- drum storage of collapsible hose prevents damaging kinks allowing longer hose life
- pivot mounting permits reel to swing to the proper angle preventing twists and kinks
- open sides allow faster hose drying, to prevent mold and mildew
- red polyester powder coat finish
- wall mounting is standard, 2 wall mounting brackets included
- style V5 (when used with 1½" hose only), has a space between the reel sides to accommodate two widths of hose side by side, for maximum capacity in minimum space



### Swing Wall Reels

Size	Steel Part #	Hose Capacity			A	B	C	D	E	F	G	H	Price/E
		Rack	Single	Double									
1½" - 1¾"	<b>FHR-V1</b>	100'	75'	50'	8"	3"	7½"	21"	23"	27"	2"	11-3/8"	<b>\$250.00</b>
1½" - 1¾"	<b>FHR-V2</b>	150'	100'	75'	8"	3"	7½"	26"	29"	33"	2"	15"	<b>250.00</b>
1½"	<b>FHR-V5</b>	300'	200'	150'	8"	5½"	9½"	26"	30"	34"	2"	13"	<b>282.00</b>
2" - 2½"	<b>FHR-V5</b>	150'	100'	75'	8"	5½"	9½"	26"	30"	34"	2"	13"	<b>282.00</b>

- replacement brackets for above reels - **1212-0930-4**, 2 per set

## Style V Swing Type Hose Storage Reel Covers

P

**Features:**

- fluorescent red vinyl coated nylon with Velcro™ closures
- printed on both sides

Cover for	Fits Hose Reel Dimensions	Vinyl Part #	Price/E
FHR-V2	26"	<b>FHR-C</b>	<b>\$69.60</b>
FHR-V1	21"	<b>FHR-C1</b>	<b>62.50</b>
FHR-V5	26"	<b>HSRC26</b>	<b>69.60</b>



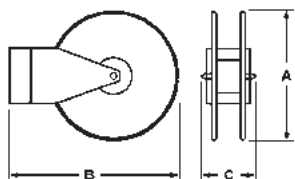
## Swing Type Hose Storage Reels

**Features:**

- one piece wall bracket (14 gauge), for easier mounting
- 180° swing will also take pipe clamps to 3"
- compact size - smaller reel hub to allow more hose storage
- baked red enamel finish
- solid steel (14 gauge) support arms
- welded construction - rim (18 gauge) hub cap, welded spokes form solid wheels, separated by a molded poly hub and bolted together to form a sturdy unit
- hose is double rolled from the center of length coupled to valve and nozzle
- hose is ready for action when completely removed and valve is open



Hose Size	Part #	Hose Capacity		Price/E
		Lightweight	Rubber Lined	
1½"	<b>HSR18</b>	150'	50' - 75'	<b>\$276.95</b>
1½"	<b>HSR24</b>	250'	100'	<b>332.50</b>
2½"	<b>HSR25-24</b>	100'	100'	<b>502.85</b>



**Dimensions**

Cover for	A	B	C
HSR18	18"	23-1/2"	6-1/4"
HSR24	24"	29"	6-1/4"
HSR25-24	24"	29"	8-1/4"

## Swing Type Hose Storage Reel Covers

**Features:**

- to be used with hose storage reels, bright red fabric reinforced PVC with Velcro™ closures for quick release
- "Fire Hose / Keep Clear" printed on one side



Cover for	Fits Hose Reel Dimensions	Vinyl Part #	Price/E
HSR18	16" - 18"	<b>HSRC18</b>	<b>\$51.85</b>
HSR24	24"	<b>HSRC24</b>	<b>62.75</b>
HSR25-24	24" - 25"	<b>HSRC25-24</b>	<b>60.45</b>

## Heavy Duty, High Capacity Swing Type Hose Storage Reel

**Features:**

- 16 gauge steel sides and hubs
- welded steel wall bracket swings 180°
- wall bracket adapts to pipes (1½" - 3") with an optional pipe bracket kit
- red baked enamel finish
- supplied with hook-and-loop back strap to keep hose securely wound



Size	16-gauge steel Part #	Hose Capacity		Price/E
		Single Jacket	Double Jacket	
1½"	<b>DXHDR25HC</b>	200'	150'	<b>\$1023.20</b>
2½"		100'	75'	

## Heavy Duty Swing Type Hose Storage Reel Cover

**Features:**

- to be used with hose storage reels
- "Fire Hose / Keep Clear" printed on one side



Cover for	Fits Hose Reel Dimensions	Vinyl Part #	Price/E
DXHDR25HC	length: 26", ht: 25", width: 8"	<b>DXHDRC25HC</b>	<b>\$145.35</b>

## Pipe Brackets for Heavy Duty Swing Type Hose Storage Reel

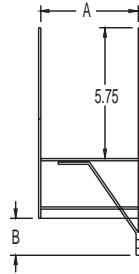
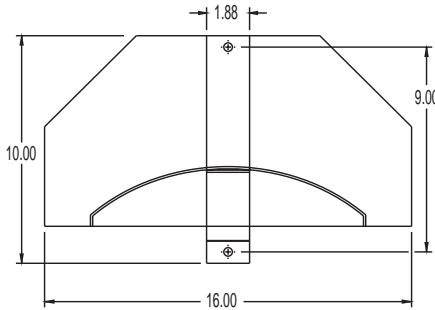
Description	Part #	Price/E
pipe bracket set	<b>DXHDR25PB</b>	<b>\$81.85</b>

## Saddle Hose Racks

**Features:**

- provides compact and economical hose storage for all types of hose
- can be used for fire or water hose
- overall width 16", height 10"
- fabricated of heavy 12 gauge sheet steel for rugged industrial and shipboard use
- curved saddle design avoids sharp bends in the hose to prolong hose life
- red enamel finish

Hose Size	Rack Capacity		Wt. Lbs.	Steel Part #	Price/E
	Rack	Single Jacket			
1½" - 1¾"	100'	75'	6.75	<b>HR1610-3</b>	<b>\$110.65</b>
2" - 2½"	100'	75'	6.06	<b>HR1610-4</b>	<b>119.45</b>
1½" - 1¾"	200'	150'	6.70	<b>HR1610-6</b>	<b>130.15</b>
1½" - 2½"	200'	150'	7.42	<b>HR1610</b>	<b>162.80</b>



Model	Dimensions	
	A	B
HR1610-3	3⅛"	¾"
HR1610-4	4¼"	1⅝"
HR1610-6	6¼"	1⅝"
HR1610	9"	3"

## Hump Racks

**Features:**

- compact, neat and economical method of storing collapsible hose
- pivot mounting permits rack to swing, preventing kinks and twists
- rugged steel construction provides long, dependable service
- red enamel finish for protection and appearance
- open sides allow faster drying to prevent mold and mildew
- wall mounting brackets are standard

Hose Size	Hose Capacity		Steel Part #	Price/E
	Synthetic	Single Jacket		
1½" - 1¾"	100'	50'	---	<b>FHHR-1</b> <b>\$220.00</b>
1½" - 1¾"	150'	100'	50'	<b>FHHR-3</b> <b>321.25</b>
2" - 2½"	100'	50'	---	<b>FHHR-2</b> <b>220.00</b>
2" - 2½"	150'	100'	50'	<b>FHHR-4</b> <b>327.30</b>
1½" - 1¾"	200'	150'	100'	<b>FHHR-5</b> <b>340.65</b>



P

## Cover for Hump Racks

Cover for	Fits Hose Reel Dimensions	Vinyl Part #	Price/E
FHHR-1 or FHHR-2	16" x 25½" x 6"	<b>FHHR-C</b>	<b>\$118.90</b>
FHHR-3 or FHHR-4	24" x 29½" x 6"	<b>FHHR-C4</b>	<b>139.30</b>
FHHR-5	33½" x 35½" x 6"	<b>FHHR-C5</b>	<b>148.15</b>



## Ball Shutoff with Nozzle



### Features:

- flexible design allows nozzle tip to be detached so a mating foam inductor can be inserted between the tip and shut-off valve
- lightweight
- glass-filled nylon
- black pistol grip shutoff with nozzle
- maximum operating pressure: **150 PSI** (water / AFFF only) at 70°F (21°C)

Size	Body Color	Thread	GPM	Polycarbonate Part #	Price/E
1½"	red	NPSH	30	<b><i>FNPSO150S-30</i></b>	<b>\$403.10</b>
1½"	orange	NST (NH)	30	<b><i>FNPSO150F-30</i></b>	<b>403.10</b>
1½"	red	NPSH	70	<b><i>FNPSO150S-70</i></b>	<b>403.10</b>
1½"	orange	NST (NH)	70	<b><i>FNPSO150F-70</i></b>	<b>403.10</b>

## Ball Shutoff



### Features:

- lightweight
- glass-filled nylon
- maximum operating pressure: **150 PSI** (water or AFFF only) at ambient temperature (70°F)

Size	Thread	Polycarbonate Part #	Price/E
1½"	NPSH	<b><i>PPSO150S</i></b>	<b>\$412.40</b>
1½"	NST (NH)	<b><i>PPSO150F</i></b>	<b>412.40</b>

## Forestry Grade ¼ Turn Ball Type Wye Valves

**Features:**

- cast aluminum swivel inlet, anodized body, hard-coated threads
- built to US Forest Service specifications
- 1" and 1½" for use up to **600 PSI** (water/AFFF only); 2½" for use up to **400 PSI** (water/AFFF only)

Female Thread	(2) Male Threads	Cast Aluminum Part #	Price/E
1" NPSH	1" NPSH	<b>FWV10S10S</b>	<b>\$661.95</b>
1½" NPSH	1" NPSH	<b>FWV15S10S</b>	<b>686.80</b>
1½" NPSH	1½" NPSH	<b>FWV15S15S</b>	<b>763.80</b>
1½" NST (NH)	1" NPSH	<b>FWV15F10S</b>	<b>706.40</b>
1½" NST (NH)	1½" NST (NH)	<b>FWV15F15F</b>	<b>763.80</b>
2½" NST (NH)	1½" NST (NH)	<b>FWV25F15F</b>	<b>763.65</b>
2½" NST (NH)	2½" NST (NH)	<b>FWV25F25F</b>	<b>2041.25</b>



1" - 1½"



2½"

## Pick Head Fire Axe

**Features:**

- red trim
- 36" hickory handle
- listed in the minimum requirements approval guides for outfitting hose houses and hose cabinets by insurance underwriters

Description	Part #	Price/E
6 lb. axe	<b>PHFA6</b>	<b>\$220.00</b>
axe brackets	<b>PHFA-B-A</b>	<b>59.10</b>



## Forestry Pocket Spanner Wrenches

**Features:**

- FSW1: for use on 1" hoses only
- FSW2: for 1" and 1½" hose couplings
- meets USFDA specification 5100-101C
- overall length 5"

Aluminum Part #	Price/E
<b>FSW1</b>	<b>\$47.25</b>
<b>FSW2</b>	<b>47.25</b>



FSW1




FSW2

P

## Foot Valve Strainers

**Features:**

- rocker lug
- brass poppet
- for water use only 

Size	Thread	Anodized Aluminum Part #	Price/E
2"	NST (NH)	<b>N-FTVLST-20F</b>	<b>\$72.50</b>
2"	NPSH	<b>N-FTVLST-20S</b>	<b>69.70</b>





## Forestry Non Weeping Fire Hose

### Features:

- outer construction: single jacket, all polyester
- tube construction: thermoplastic
- impregnation: yellow
- proof pressure: **600 PSI** at ambient temperature (70°F)
- service test pressure: **300 PSI** at ambient temperature (70°F)
- working pressure: **270 PSI** at ambient temperature (70°F)
- consult Dixon™ for pricing and availability of 25' lengths, other threads and configurations



### Coupled with female and male expansion ring couplings

Size	Length	Part #	Rocker Lug Aluminum NST (NH) RAF	Rocker Lug Aluminum NPSH RAS
1"	50'	<b>NF610Y50</b>	---	<b>\$470.00</b>
1"	100'	<b>NF610Y100</b>	---	<b>517.20</b>
1½"	50'	<b>NF615Y50</b>	<b>\$372.85</b>	<b>372.85</b>
1½"	100'	<b>NF615Y100</b>	<b>625.00</b>	<b>625.00</b>

## Forestry Mop Up Hose

### Application:

- used on mop-up and low volume hand lines, filling pump cans, supplying sprinklers and remote fire line protection

### Features:

- 50' coil diameter is 9"
- outer construction: single jacket, synthetic
- tube construction: thermoplastic
- impregnation: yellow
- proof pressure: **300 PSI** at ambient temperature (70°F)
- service test pressure: **150 PSI** at ambient temperature (70°F)
- working pressure: **135 PSI** at ambient temperature (70°F)
- consult Dixon™ for pricing and availability of other threads and configurations



### Coupled with female and male brass ferrule type garden hose couplings

Size	Length	Part #	Price/E
¾"	50'	<b>NF307Y50GHT</b>	<b>\$221.25</b>
1½"	50'	<b>NF615-50RAQT<sup>1</sup></b>	<b>360.85</b>
1½"	100'	<b>NF615100RAQT<sup>1</sup></b>	<b>589.95</b>

<sup>1</sup> coupled with quarter turn forestry couplings

P

## Forestry Mop Up Hose Kit



Description	Part #	Price/E
kit contains: hose, pouch and nozzle	<b>NF307Y50GHT-KIT</b>	<b>\$355.10</b>

## ¼ Turn Forestry Adapters

**Features:**

- maximum operating pressure: **300 PSI** at ambient temperature (70°F)
- adapters have a common quarter turn sexless head (a 1½" QT fitting will mate with a ¾" QT or 1" QT)
- replacement gaskets: **QTG-F \$7.00**

Thread	Forged Aluminum Male Part #	Price/E	Forged Aluminum Female Part #	Price/E
¾" GHT	<b>QTM75GHT-F</b>	<b>\$74.25</b>	<b>QTF75GHT-F</b>	<b>\$79.80</b>
1" NPSH	<b>QTM100S-F</b>	<b>71.05</b>	<b>QTF100S-F</b>	<b>89.10</b>
1" NPT	<b>QTM100T-F</b>	<b>71.05</b>	<b>QTF100T-F</b>	<b>89.10</b>
1½" NST (NH)	<b>QTM150F-F</b>	<b>42.45</b>	<b>QTF150F-F</b>	<b>57.60</b>
1½" NPT	<b>QTM150T-F</b>	<b>68.40</b>	<b>QTF150T-F</b>	<b>81.90</b>
1½" NPSH	<b>QTM150S-F</b>	<b>54.55</b>	<b>QTF150S-F</b>	<b>57.60</b>



## Quick-Connect Forestry Expansion Ring Couplings

**Feature:**

- sold in sets of (2) with expansion ring

Hose Size	Bowl Size	Forged Aluminum Part #	Price/E
1½"	1-11/16"	<b>QTX150-F</b>	<b>\$95.30</b>



## Forestry Hose Expansion Ring Rocker Lug Couplings

**Features:**

- lugs on female only
- working pressure: **270 PSI**
- under no circumstances should the fittings be used beyond the working pressure of the hose
- Assembled hose should be hydrostatically proof tested before use, and thereafter in accordance with NFPA 1962.
- special tooling is required to attach these couplings to hose
- shipped with expansion rings, a swivel washer and tail washers
- for females or males only, consult Dixon™ for pricing and availability



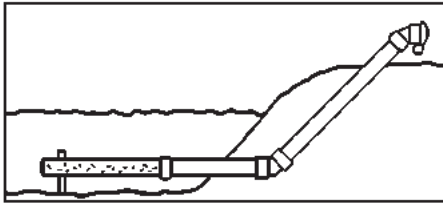
Hose Size	Thread Type	Bowl Size	Aluminum Part #	Price/E
1"	NPSH	1-3/16"	<b>EF11118</b>	<b>\$70.30</b>
1"	NPSH	1-1/4"	<b>EF11125</b>	<b>70.30</b>
1½"	NH (NST)	1-13/16"	<b>EF16168F</b>	<b>91.15</b>
1½"	NH (NST)	2-11/16"	<b>EF16175F</b>	<b>91.15</b>



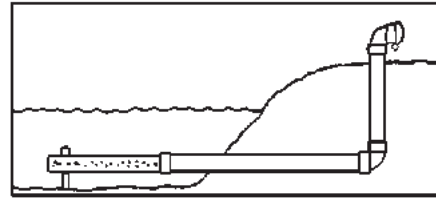
P

## Dry Hydrants

Typical Dry Hydrant Installations



45°  
(preferred)



90°

### Underwater Strainer Support



Description	Part #	Price/E
underwater strainer support	<b>DHSSC6</b>	<b>\$154.40</b>

### Back Flushing Strainers



**Feature:**

- length: 37"

Size	Schedule 40 PVC Part #	Price/E
6"	<b>DHS6BF</b>	<b>\$397.85</b>
8"	<b>DHS8BF<sup>1</sup></b>	<b>767.25</b>

<sup>1</sup> includes 8" x 6" reducer

### Male Adapters and Caps



#### 90° Male Adapters

#### 45° Male Adapters

Male NST (NH)	Hardcoated		Hardcoated	
	Part #	Price/E	Part #	Price/E
4½"	<b>ADH90M45F</b>	<b>\$519.10</b>	<b>ADH45M45F</b>	<b>\$519.10</b>
6"	<b>ADH90M60F</b>	<b>553.45</b>	<b>ADH45M60F</b>	<b>553.45</b>

#### Rocker Lug Caps with Cable

Female NST (NH)	Hardcoated Part #	Price/E
4½"	<b>ADHC450F</b>	<b>\$306.60</b>
6"	<b>ADHC600F</b>	<b>365.80</b>

**P**

adapters and caps sold separately

### Female Adapters and Plugs



#### 90° Female Adapters

#### 45° Female Adapters

Female NST (NH)	Hardcoated		Hardcoated	
	Part #	Price/E	Part #	Price/E
4½"	<b>ADH90F45F</b>	<b>\$652.35</b>	<b>ADH45F45F</b>	<b>\$652.95</b>
6"	<b>ADH90F60F</b>	<b>890.60</b>	<b>ADH45F60F</b>	<b>890.60</b>

#### Rocker Lug Plugs with Cable

Male NST (NH)	Hardcoated Part #	Price/E
4½"	<b>ADHP450F</b>	<b>\$306.60</b>
6"	<b>ADHP600F</b>	<b>365.80</b>

adapters and caps sold separately

## Dixon™ 6" Low Level Strainer with Siphon Jet

### Application:

- can be used as a low level strainer and as a water transfer device

### Features:

- pivoting elbow enables the base to sit flat on the bottom of a portable tank
- base: 1/8" thick 5052 H32 marine grade aluminum, powder coated red with 45° angled edges, carrying handle mounted to base
- allows the user to draft within 2" of the bottom of the tank without whirlpooling
- jet is constructed from 3/4" pipe
- supplied with 304 stainless steel mesh strainer for fast fill flowing
- shipped with 1 1/2" male NPSH plug with wire cable attached to base
- elbow: 6" aluminum tube 6061-T6, powder coated red
- posts: welded between upper and lower base, 6061-T6 aluminum
- siphon jet: 3/4" ID 6061-T6 aluminum pipe, powder coated red
- elbow pivot rod: 1/4" thick, 304 stainless steel
- washers: polypropylene used for ease of elbow pivot and longer wear
- pivot bracket: 3/16" thick x 1 1/2" x 1 1/2", angle 6061-T6 aluminum
- 6" swivel: long handle, black anodized, 6061-T6 aluminum



### Low Level Strainers - Threaded Female Swivel with and without Jet Siphon

Thread	1 1/2" NPSH Jet Siphon Part #	Price/E	1 1/2" NST (NH) Jet Siphon Part #	Price/E	without Jet Siphon Part #	Price/E
3" NST	<b>NCS-LLSJ-30FS</b>	<b>\$611.10</b>	<b>NCS-LLSJ-30FF</b>	<b>\$859.10</b>	<b>NCS-LL-30F</b>	<b>\$728.35</b>
4" NST (NH)	<b>NCS-LLSJ-40FS</b>	<b>726.45</b>	<b>NCS-LLSJ-40FF</b>	<b>1395.00</b>	<b>NCS-LL-40F</b>	<b>563.00</b>
4 1/2" NST (NH)	<b>NCS-LLSJ-45FS</b>	<b>971.95</b>	<b>NCS-LLSJ-45FF</b>	<b>1403.20</b>	<b>NCS-LL-45F</b>	<b>774.70</b>
5" NST (NH)	<b>NCS-LLSJ-50FS</b>	<b>1101.25</b>	<b>NCS-LLSJ-50FF</b>	<b>1431.85</b>	<b>NCS-LL-50F</b>	<b>891.35</b>
6" NST (NH)	<b>NCS-LLSJ-60FS</b>	<b>856.25</b>	<b>NCS-LLSJ-60FF</b>	<b>863.20</b>	<b>NCS-LL-60F</b>	<b>774.00</b>

### Low Level Strainers - Storz Adapter with and without Jet Siphon

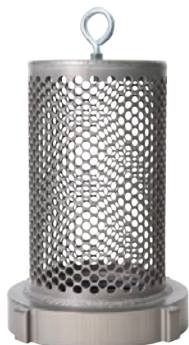
Thread Size	1 1/2" NPSH Jet Siphon Part #	Price/E	1 1/2" NST (NH) Jet Siphon Part #	Price/E	without Jet Siphon Part #	Price/E
2 1/2"	<b>NCS-LLSJ-25SZS</b>	<b>\$641.50</b>	<b>NCS-LLSJ-25SZF</b>	<b>\$945.00</b>	<b>NCS-LL-25SZ</b>	<b>\$745.80</b>
3"	<b>NCS-LLSJ-30SZS</b>	<b>630.00</b>	<b>NCS-LLSJ-30SZF</b>	<b>973.65</b>	<b>NCS-LL-30SZ</b>	<b>809.50</b>
4"	<b>NCS-LLSJ-40SZS</b>	<b>757.95</b>	<b>NCS-LLSJ-40SZF</b>	<b>1575.00</b>	<b>NCS-LL-40SZ</b>	<b>624.00</b>
5"	<b>NCS-LLSJ-50SZS</b>	<b>1172.95</b>	<b>NCS-LLSJ-50SZF</b>	<b>1546.40</b>	<b>NCS-LL-50SZ</b>	<b>722.30</b>
6"	<b>NCS-LLSJ-60SZS</b>	<b>1106.95</b>	<b>NCS-LLSJ-60SZF</b>	<b>1088.20</b>	<b>NCS-LL-60SZ</b>	<b>925.00</b>

## Aluminum Barrel Strainers


**Features:**

- lightweight
- anodized aluminum finish
- full-flow design
- rocker lugs
- tie off hook for drafting placement

### Female Barrel Strainers



Size	NST (NH) Part #	Price/E	NPSH Part #	Price/E
2½"	<b>FST250F</b>	<b>\$321.90</b>	<b>FST250S</b>	<b>\$321.10</b>
3"	<b>FST300F</b>	<b>340.30</b>	<b>FST300S</b>	<b>341.90</b>
4"	<b>FST400F</b>	<b>385.00</b>	<b>FST400S</b>	<b>384.95</b>
4½"	<b>FST450F</b>	<b>468.95</b>	---	---
5"	<b>FST500F</b>	<b>482.40</b>	<b>FST500S</b>	<b>482.40</b>
6"	<b>FST600F</b>	<b>454.40</b>	<b>FST600S</b>	<b>454.35</b>

### Storz Barrel Strainers



Storz	Part #	Price/E
2½"	<b>ST250</b>	<b>\$257.30</b>
3"	<b>ST300</b>	<b>254.55</b>
4"	<b>ST400</b>	<b>434.45</b>
5"	<b>ST500</b>	<b>960.65</b>
6"	<b>ST600</b>	<b>787.50</b>

### Basket Strainers - Female Threaded



Size	NST (NH) Part #	Price/E	NPSH Part #	Price/E
2½"	<b>BSKTST250F</b>	<b>\$372.30</b>	<b>BSKTST250S</b>	<b>\$185.50</b>
3"	<b>BSKTST300F</b>	<b>389.50</b>	<b>BSKTST300S</b>	<b>190.75</b>
4"	<b>BSKTST400F</b>	<b>515.50</b>	<b>BSKTST400S</b>	<b>285.00</b>
5"	<b>BSKTST500F</b>	<b>630.00</b>	<b>BSKTST500S</b>	<b>330.00</b>
6"	<b>BSKTST600F</b>	<b>601.40</b>	<b>BSKTST600S</b>	<b>357.70</b>

## Floating Strainers

**Feature:**

- steel screen

### Floating Strainers - Female Swivel

Female Inlet	Aluminum NST (NH) Part #	Price/E	Aluminum NPSH Part #	Price/E
2½"	<b>NCS-FDFS-25F</b>	<b>\$814.50</b>	<b>NCS-FDFS-25S</b>	<b>\$839.50</b>
3"	<b>NCS-FDFS-30F</b>	<b>837.00</b>	<b>NCS-FDFS-30S</b>	<b>681.85</b>
3"	<b>NCS-FDFS-30F</b>	<b>837.00</b>	<b>NCS-FDFS-30S</b>	<b>681.85</b>
4"	<b>NCS-FDFS-40F</b>	<b>874.40</b>	<b>NCS-FDFS-40S</b>	<b>874.35</b>
4½"	<b>NCS-FDFS-45F</b>	<b>1400.40</b>	---	---
5"	<b>NCS-FDFS-50F</b>	<b>1549.00</b>	<b>NCS-FDFS-50S</b>	<b>1548.95</b>
6"	<b>NCS-FDFS-60F</b>	<b>1632.30</b>	<b>NCS-FDFS-60S</b>	<b>1253.95</b>



### Floating Strainers - Storz

Storz Inlet	Aluminum Part #	Price/E
2½"	<b>NCS-FDSTZ-25</b>	<b>\$810.55</b>
3"	<b>NCS-FDSTZ-30</b>	<b>831.10</b>
4"	<b>NCS-FDSTZ-40</b>	<b>914.10</b>
5"	<b>NCS-FDSTZ-50</b>	<b>1689.55</b>
6"	<b>NCS-FDSTZ-60</b>	<b>1522.15</b>



P

## Dixon™ Polypropylene Strainers

### Features:

- prevents debris larger than 1 mm such as leaves, vegetation or fish, from entering your pump system, therefore reducing costly pump and equipment damage and down time
- designed and manufactured to meet the capacities of all major pump manufacturers from 25 GPM to 2000 GPM

### Single Layer (Short Style 8" Lg plus fitting)

Size	Female Thread	Polypropylene Part #	Price/E
2½"	NST (NH)	<b>FSTP-SS-25F</b>	<b>\$602.35</b>
3"		<b>FSTP-SS-30F</b>	<b>767.70</b>
4"		<b>FSTP-SS-40F</b>	<b>930.15</b>
4½"		<b>FSTP-SS-45F</b>	<b>1008.00</b>
5"		<b>FSTP-SS-50F</b>	<b>1065.30</b>
6"		<b>FSTP-SS-60F</b>	<b>1139.75</b>



short style

### Single Layer (Long Style 13" Lg plus fitting)

Size	Female Thread	Polypropylene Part #	Price/E
2½"	NST (NH)	<b>FSTP-LS-25F</b>	<b>\$721.65</b>
3"		<b>FSTP-LS-30F</b>	<b>933.55</b>
4"		<b>FSTP-LS-40F</b>	<b>1122.55</b>
4½"		<b>FSTP-LS-45F</b>	<b>1214.20</b>
5"		<b>FSTP-LS-50F</b>	<b>1294.40</b>
6"		<b>FSTP-LS-60F</b>	<b>1363.10</b>

### Dual Layer (Short Style 8" Lg plus fitting)

Size	Female Thread	Polypropylene Part #	Price/E
2½"	NST (NH)	<b>FSTP-SD-25F</b>	<b>\$843.55</b>
3"		<b>FSTP-SD-30F</b>	<b>1025.00</b>
4"		<b>FSTP-SD-40F</b>	<b>1197.50</b>
4½"		<b>FSTP-SD-45F</b>	<b>1306.20</b>
5"		<b>FSTP-SD-50F</b>	<b>1361.85</b>
6"		<b>FSTP-SD-60F</b>	<b>1450.95</b>



long style

### Dual Layer (Long Style 13" Lg plus fitting)

Size	Female Thread	Polypropylene Part #	Price/E
2½"	NST (NH)	<b>FSTP-LD-25F</b>	<b>\$1065.00</b>
3"		<b>FSTP-LD-30F</b>	<b>1319.30</b>
4"		<b>FSTP-LD-40F</b>	<b>1524.55</b>
4½"		<b>FSTP-LD-45F</b>	<b>1674.55</b>
5"		<b>FSTP-LD-50F</b>	<b>1754.85</b>
6"		<b>FSTP-LD-60F</b>	<b>1849.10</b>

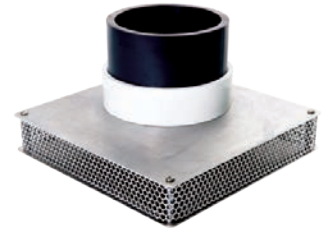
## Dixon™ Strainers

### Dry Fire Hydrant - Low Level Strainer

**Features:**

- aluminum base
- low level design allows for vertical bridge or cistern installations
- repels water born debris flowing downstream
- 6" male PVC coupling for easy connection to PVC pipe

Pipe Size	Housing Material	Dimensions	Aluminum Part #	Price/E
6" male PVC	aluminum	12" x 12" x 2"	<b>DFH-9283-100</b>	<b>\$1120.25</b>



### Stream Strainer

**Features:**

- aluminum base
- low level design allows for shallow stream installations
- repels water born debris flowing downstream
- 6" male PVC coupling for easy connection to PVC pipe


Pipe Size	Housing Material	Dimensions	Aluminum Part #	Price/E
6" male PVC	aluminum	24" x 16" x 8"	<b>DFH-9292-001</b>	<b>\$979.00</b>



## Dixon™ Strainers

### Foot Valve Strainers

**Feature:**

- rocker lug
- brass poppet
- for water use only 

Size	Thread	Anodized Aluminum Part #	Price/E
2"	NST (NH)	<b>N-FTVLST-20F</b>	<b>\$72.50</b>
2"	NPSH	<b>N-FTVLST-20S</b>	<b>69.70</b>



### Brass Tanks

Female NPT	Cast Brass Part #	Price/E
4"	<b>BS400</b>	<b>\$673.50</b>
5"	<b>BS500</b>	<b>621.05</b>
6"	<b>BS600</b>	<b>1726.85</b>
8"	<b>BS800</b>	<b>2459.70</b>



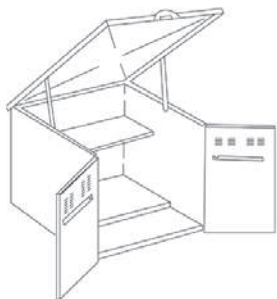
P



**FM** Steel Hydrant House

**Features:**

- red polyester coated finish
- Factory Mutual approved
- heavy 16-gauge steel throughout, including the shelves
- one-piece roof construction, sloped to the rear for adequate drainage and hinged at the rear with arms on both sides and a front hasp
- doors are fitted with a full-length latch and cross brace to ensure firm closing
- provides adequate space to store all equipment specified by both Factory Mutual and NFPA standards, plus room for additional equipment
- "FIRE HOSE" decal is provided for the cabinet front
- hose or accessories not included
- accessory hardware required but not included
- concrete base is to be supplied by a contractor
- shipped unassembled with instructions



Steel Part #	Price/E
<b>HH30145</b>	<b>\$2468.50</b>

Dimensions		
width	depth	height
45½"	45½"	34½"

**FM** Steel Hose Cabinet

**Features:**

- red polyester coated finish on heavy 18-gauge steel
- wall type hose cabinet used for storage for industrial fire protection equipment
- designed for wall installation, with or without legs, or free standing
- supplied with holes in the back for wall mounting and 1" pipe couplings on the bottom for adding legs
- Factory Mutual approved
- hose or accessories not included
- accessory hardware required but not included
- furnished without legs - if legs required - contact Dixon™
- concrete base is to be supplied by a contractor



Steel Part #	Price/E
<b>HC30143</b>	<b>\$2319.55</b>

Dimensions		
width	depth	height
60"	15"	48"

P

**Basic Approved Equipment for house/cabinet**

Examples				Quantity Required		
Part #	Price/E	Description	Page #	Factory Mutual	UL & FIA	ISO
<b>A525-50RAF</b> <sup>1</sup>	<b>\$472.15</b>	2½" x 50' single jacket hose	627	4	5	5
<b>A515-50RAF</b> <sup>1</sup>	<b>281.45</b>	1½" x 50' single jacket hose	627	2	0	0
<b>UPP250F</b> <sup>1</sup>	<b>718.35</b>	Underwriters play pipe	614	0	2	2
<b>BFN250NST</b> <sup>1</sup>	<b>309.00</b>	2½" adjustable fog nozzle	608	2	0	0
<b>BFN150NST</b> <sup>1</sup>	<b>144.75</b>	1½" adjustable fog nozzle	608	1	0	0
<b>HA2515F</b> <sup>1</sup>	<b>29.70</b>	2½" x 1½" pin lug adapter	572	1	0	0
<b>233</b>	<b>43.20</b>	universal spanner	618	4	5	5
<b>189</b>	<b>38.70</b>	adjustable hydrant wrench	619	2	2	2
<b>PHFA6</b>	<b>220.00</b>	6 lb. fire axe	652	0	1	1
<b>FCB48</b>	<b>142.35</b>	crowbar	---	0	1	1
<b>SW150</b> <sup>1</sup>	<b>2.00</b>	2½" hose coupling gasket	639	4	5	5
<b>SW250</b> <sup>1</sup>	<b>3.25</b>	1½" hose coupling gasket	639	2	0	0

<sup>1</sup> threads must be appropriate to the authority having jurisdiction

## Sprinkler System Gauges (UL-393)



**Features:**

- specifically designed for the fire sprinkler industry
- Bourdon tube pressure gauges with black polycarbonate case
- snap-in clear polycarbonate window, 4" face
- white aluminum dial with stop pin, black and red markings
- black aluminum non-adjustable pointer
- ¼" NPT lower mount
- ASME B40.1 Grade B (+ 3/2/3% accuracy)
- U/L Listed (U/L-393) and Factory Mutual Approved for fire sprinkler service
- temperature range: **-40°F to 140°F** (-40°C to 60°C)



Type	Part #	Price/E
water (0-300 PSI)	<b>SWG300-4</b>	<b>\$38.40</b>
water retard (0-80 PSI) to (0-250 PSI) air	<b>SWRG80-250-4</b>	<b>38.40</b>

## Line Test Gauges

**Features:**

- rocker lug swivel
- used for testing static or flowing pressures in hoses or nozzles
- supplied with **0-300 PSI** glycerine filled 3½" diameter gauge
- freeze proof to **-40°F** (-40°C)
- other sizes and threads are also available, contact Dixon™

NH (NST) Thread	Hardcoated Aluminum Part #	Price/E
1½"	<b>ALTG150F</b>	<b>\$300.00</b>
2½"	<b>ALTG250F</b>	<b>330.00</b>



## Three Way Gauge Valve

**Features:**

- permits the checking or replacing of a gauge without shutting down the whole line
- body: brass, disc: rubber

NPT Thread	Working Pressure PSI	Part #	Price/E
¼"	<b>175</b>	<b>TWGV25</b>	<b>\$22.10</b>



## PITOT Gauge

**Features:**

- liquid filled gauge 0-160 PSI is standard, other pressures available, contact Dixon™
- supplied with handle grip, case and fire stream/friction loss data

Part #	Price/E
<b>PG8083</b>	<b>\$536.80</b>



## Sprinkler Line Tester

**Features:**

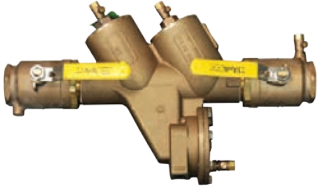
- installs on the last sprinkler head on system branch lines and controls water flow for flushing or testing the system

NPT Thread	Brass Part #	Price/E
1"	<b>SLT10050</b>	<b>\$112.75</b>





## Backflow Preventer



**Features:**

- provides maximum protection against backflow caused by back-pressure or back-siphonage from a cross-connection wherein a contaminant hazard exists
- consists of two spring-loaded poppet type check valves and a mechanically independent, hydraulically dependent pressure differential relief valve
- three top mounted test cocks ensure easy access during repair and maintenance
- working pressure: to **175 PSIG**
- temperature range: **33°F to 180°F**
- meets Foundation for Cross Connection Control and Hydraulic Research at University of Southern California Manual Section 10, ASSE 1015, AWWA C-510 and CSA B64.4 specifications
- Underwriters Listed and Factory Mutual approved
- create a Fire Hydrant Backflow Preventer by using the **RSMSA25F20T** (page 599) and the **DMH2025F** (page 582)

NPT Thread	Brass Part #	Price/E
2"	<b>BFP200</b>	<b>\$1793.75</b>

## Hand Hydrotest Pump



**Features:**

- designed for use in testing pipe lines, pressure tanks and pressure vessels
- uses check valves which are more efficient and longer lasting than old poppet system
- cylinder displacement: 1.37 cu. in.
- 0 -1000 PSI pressure gauge, 10' high pressure hose and quick disconnect coupler included
- piston: 7/8" with 2" stroke
- stainless steel piston
- working pressure: **1000 PSI** at 70°F (21°C)

NPT Inlet	NPT Outlet	Aluminum Part #	Price/E
1/2"	1/2"	<b>HHTP</b>	<b>\$2233.60</b>

## Large Diameter Hose Roller

P



**Features:**

- ABS rollers
- two man operation

Steel Part #	Price/E
<b>FHR</b>	<b>\$606.90</b>

## Elbows Angle and Suction

**Features:**

- for use on pump discharge valves, or suction inlets to minimize hose kinking
- rocker lug swivel
- satin brass finish
- -C polished chrome plated

Male NST (NH)	Female NST (NH)	Angle	Brass Part #	Price/E
2½"	2½"	30°	<b>RSE30250F-C</b>	<b>\$358.10</b>
2½"	2½"	45°	<b>RSE45250F</b>	<b>209.10</b>
2½"	2½"	45°	<b>RSE45250F-C</b>	<b>298.00</b>
2½"	2½"	90°	<b>RSE90250F</b>	<b>216.00</b>
2½"	2½"	90°	<b>RSE90250F-C</b>	<b>242.00</b>



30° elbow



45° elbow

## Continuous Swivel

**Features:**

- allows hose to swing when connected
- full waterway reduces friction loss
- short style radius is 2½" measured from the center of the waterway to the end of the discharge thread

Female NPT	Male Thread	Length	Cast Brass Part #	Price/E
1½"	1½" NST (NH)	2½"	<b>CSES150F</b>	<b>\$180.00</b>
2"	1½" NST (NH)	2½"	<b>CSES2015F</b>	<b>180.00</b>
1½"	1½" NPT	2½"	<b>CSES150T</b>	<b>180.00</b>



## Dixon™ Adapters N54 - Angle and Suction Elbows

**Features:**

- ideal for fire apparatus with front suction connections
- anodized, powder coated aluminum, extruded
- anodized female swivel connections

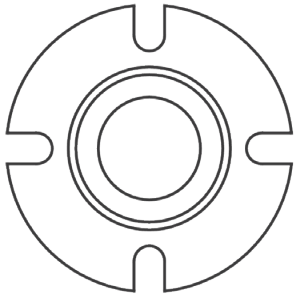
Angle	Male NST (NH)	Female NST (NH) Swivel	Aluminum Part #	Price/E
30°	2½"	2½"	<b>N5430-25F25F</b>	<b>\$318.70</b>
45°	2½"	2½"	<b>N5445-25F25F</b>	<b>262.50</b>
60°	2½"	2½"	<b>N5460-25F25F</b>	<b>330.90</b>
90°	2½"	2½"	<b>N5490-25F25F</b>	<b>332.80</b>



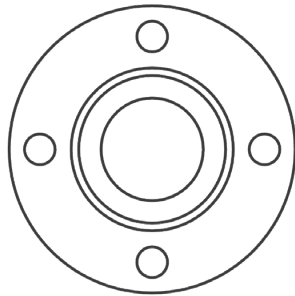
90° elbow

P

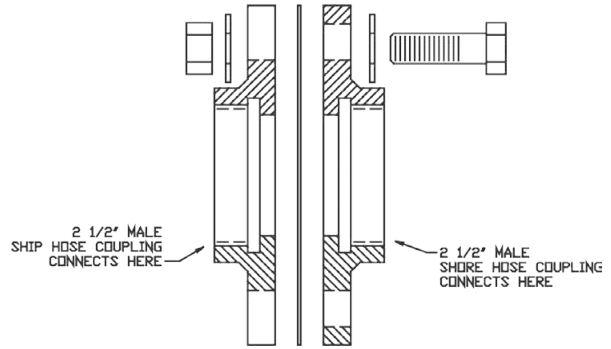
## Brass International Shore Connections



shore connection  
09-319



shore connection  
09-318



shore side



ship side

### Features:

- meets US Coast Guard specifications for vessels 1000 gross tons or more
- makes possible the connection of two different threads between ship and shore or between ships
- 7" OD brass flange with 4 3/4" holes
- includes 8 washers, 4 hexagon brass nuts, 4 hex head bolts, 1 washer, 1 fiber gasket
- working pressure: **300 PSI**
- standardly supplied with NST threads, also available in NPT and NYFD threads

Description	Brass Part #	Price
shore side	<b>09-318-00001</b>	<b>\$353.10</b>
ship side	<b>09-319-00001</b>	<b>353.10</b>

## Wharf Hydrants



### Features:

- used to provide a fire department outlet connection
- pentagon nut at top of spindle discourages unauthorized use
- hydrostatically tested
- maximum operating pressure: **300 PSI** at 70°F (21°C)

Inlet Female NPT	Outlet Male NST (NH)	Height Open	Height Closed	Cast Brass Part #	Price/E
3"	2 1/2"	16.38	14.25	<b>WHYD3025F</b>	<b>\$932.15</b>
4"	2 1/2"	16.38	14.25	<b>WHYD4025F</b>	<b>1053.70</b>
4"	4 1/2"	18.13	15.63	<b>WHYD4045F</b>	<b>1310.00</b>

### Replacement Parts



hand wheel



pentagon hex nut

Description	Part #	Price/E
hand wheel	<b>46-030-00025</b>	<b>\$26.00</b>
pentagon hex nut	<b>44-251-00006</b>	<b>16.20</b>

## Threaded Mounting Plates (Brackets)

## Size Chart

Size #	Male Threaded Mounting Plate Part #	Price/E	Female Threaded Mounting Plate Part #	Price/E
1½" NST (NH)	<b>TMPM15F</b>	<b>\$67.90</b>	<b>TMPF15F</b>	<b>\$67.90</b>
1½" NPSH	<b>TMPM15S</b>	<b>64.75</b>	<b>TMPF15S</b>	<b>64.75</b>
2½" NST (NH)	<b>TMPM25F</b>	<b>77.05</b>	<b>TMPF25F</b>	<b>83.65</b>
3" NST (NH)	<b>TMPM30F</b>	<b>92.65</b>	<b>TMPF30F</b>	<b>97.75</b>
4" NST (NH)	<b>TMPM40F</b>	<b>121.15</b>	<b>TMPF40F</b>	<b>146.20</b>
4½" NST (NH)	<b>TMPM45F</b>	<b>143.20</b>	<b>TMPF45F</b>	<b>140.75</b>
5" NST (NH)	<b>TMPM50F</b>	<b>166.10</b>	<b>TMPF50F</b>	<b>159.25</b>
6" NST (NH)	<b>TMPM60F</b>	<b>184.45</b>	<b>TMPF60F</b>	<b>176.40</b>

## Replacement Parts and Repair Kits

Decription	Part #	Price/E
retractable knob for piston valve handwheel	<b>PV-KNOB</b>	<b>\$177.75</b>
complete handwheel for piston valve	<b>PV-HDWHL</b>	<b>255.00</b>
knob for gate valve handwheel	<b>GV-KNOB</b>	<b>61.85</b>
complete handwheel for gate valve	<b>GV-HDWHL</b>	<b>154.55</b>
knob for 2½" hydrant gate valve	<b>HGV-KNOB</b>	<b>14.00</b>
complete handwheel for hydrant gate valve	<b>HGV-HDWHL</b>	<b>48.00</b>
piston intake relief valve gasket repair kit (aluminum)	<b>FSGR-RK</b>	<b>81.20</b>
gate valve gasket repair kit	<b>FSGV-RK</b>	<b>151.50</b>
gate valve with PRV gasket repair kit	<b>FSGVR-RK</b>	<b>144.25</b>
hydrant booster valve gasket repair kit	<b>FSHV-RK</b>	<b>57.30</b>
2-way ball valve gasket repair kit	<b>MSBV-RK</b>	<b>70.70</b>
3-way ball valve gasket repair kit	<b>MSBVR(3)-RK</b>	<b>74.60</b>
large gated wye gasket repair kit	<b>SJBV-RK</b>	<b>57.30</b>
5-way manifold gasket repair kit	<b>MSMG-RK</b>	<b>57.30</b>
jumbo siamese gasket repair kit	<b>SSVJ-RK</b>	<b>68.00</b>



## Domestic Bronze Ball Valves

### Application:

- for control of air, water, oil and gas in hose or pipe lines. For other services, please contact Dixon™

### Features:

- pressure rating: **600 PSI** WOG; **150 PSI** saturated steam
- bronze valve bodies, balls and stems
- blow-out proof stems
- glass-filled reinforced PTFE seats and stuffing box ring; stem seals and washers
- plated steel handles and nuts with vinyl sleeves replacements available, consult Dixon™ for pricing
- full and standard port valves are repairable
- meets WW-V 35C, Type II Composition



### female NPT x female NPT

Size	Port	Bronze	
		Part #	Price/E
1/4"	full	<b>BBV25</b>	<b>\$36.00</b>
3/8"	full	<b>BBV38</b>	<b>36.00</b>
1/2"	full	<b>BBV50</b>	<b>36.00</b>
3/4"	standard	<b>BBV75</b>	<b>59.30</b>
1"	standard	<b>BBV100</b>	<b>74.80</b>
1 1/4"	standard	<b>BBV125</b>	<b>125.40</b>
1 1/2"	standard	<b>BBV150</b>	<b>160.25</b>
2"	standard	<b>BBV200</b>	<b>200.75</b>
2 1/2"	standard	<b>BBV250</b>	<b>990.00</b>
3"	standard	<b>BBV300</b>	<b>1160.00</b>

## Domestic Full Port Ball Valves

### Features:

- machined solid chrome-plated ball
- multi-fill PTFE seats and seals
- adjustable packing
- blow-out proof stem design
- bronze castings
- vacuum service to 29 inches Hg
- pressure rating: **600 PSI** WOG; **150 PSI** saturated steam



### female NPT x female NPT

Size	Port	Bronze	
		Part #	Price/E
3/4"	full	<b>BBV75FP</b>	<b>\$55.75</b>
1"	full	<b>BBV100FP</b>	<b>70.55</b>
1 1/4"	full	<b>BBV125FP</b>	<b>164.50</b>
1 1/2"	full	<b>BBV150FP</b>	<b>218.15</b>
2"	full	<b>BBV200FP</b>	<b>375.85</b>

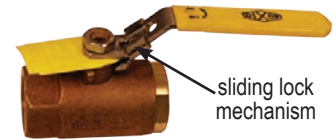
## Locking Handle Bronze Ball Valves

### Application:

- for control of air, water, oil and gas in hose or pipe lines for other services, please contact Dixon™

### Features:

- pressure rating: **600 PSI** WOG; **150 PSI** saturated steam
- blow-out proof RPTFE stem
- chrome-plated bronze ball
- Stainless steel sliding lock mechanism secures handle in open or closed position; can be padlocked opened or closed.
- plated steel handles and nuts with vinyl sleeves
- full and standard port valves are repairable



### female NPT x female NPT

Size	Port	Bronze	
		Part #	Price/E
¼"	full	<b>BBLV25</b>	<b>\$47.25</b>
⅜"	full	<b>BBLV38</b>	<b>47.25</b>
½"	full	<b>BBLV50</b>	<b>47.25</b>
¾"	standard	<b>BBLV75</b>	<b>70.40</b>
1"	standard	<b>BBLV100</b>	<b>85.90</b>
1¼"	standard	<b>BBLV125</b>	<b>136.50</b>
1½"	standard	<b>BBLV150</b>	<b>171.25</b>
2"	standard	<b>BBLV200</b>	<b>211.75</b>

## Bronze Ball Valves

### Application:

- for air, water, oil and gas service

### Features:

- pressure rating: **600 PSI**, cold non-shock  
pressure rating: **150 PSI** saturated steam
- chromium plated ball
- RTFE seats and stuffing box ring
- blow-out proof stem
- adjustable packing gland



### female NPT x male NPT

Size	Port	Bronze	
		Part #	Price/E
½"	full	<b>BMV50</b>	<b>\$44.00</b>
¾"	standard	<b>BMV75</b>	<b>70.00</b>
1"	standard	<b>BMV100</b>	<b>100.00</b>

## "Deadman" Spring Return Handle Bronze Ball Valves

### Features:

- pressure rating: **600 PSI** WOG; **150 PSI** saturated steam
- vacuum service to 29 inches Hg
- stainless steel lever
- chromium plated ball
- RTFE seats and stuffing box ring
- blow-out proof stem design
- adjustable packing gland
- spring return closes valve when not held open
- operating torque approximately three times standard valve torque



### female NPT x female NPT

Size	Port	Bronze	
		Part #	Price/E
½"	full	<b>BBV50SR</b>	<b>\$264.25</b>
¾"	standard	<b>BBV75SR</b>	<b>300.00</b>
1"	standard	<b>BBV100SR</b>	<b>313.55</b>
1½"	standard	<b>BBV150SR</b>	<b>505.00</b>
2"	standard	<b>BBV200SR</b>	<b>595.00</b>



## 250 Lb. Steam Ball Valves

### Application:

- recommended for use with fluids with widely varying temperatures and/or thermal expansion rates

### Features:

- pressure rating: **600 PSI**; **250 PSI** saturated steam
- vacuum service to 29 inches Hg
- bronze body
- 316 stainless steel ball and stem
- blow-out proof stem design
- multi-fill RPTFE seats
- multi-fill stuffing box ring
- high temperature MTFE stem packing
- adjustable packing gland
- maximum temperature: **450°F**



### female NPT x female NPT

Size	Port	Bronze	
		Part #	Price/E
1/2"	full	<b>BBV50ST</b>	<b>\$80.00</b>
3/4"	standard	<b>BBV75ST</b>	<b>128.00</b>
1"	standard	<b>BBV100ST</b>	<b>155.00</b>
2"	standard	<b>BBV200ST</b>	<b>430.00</b>

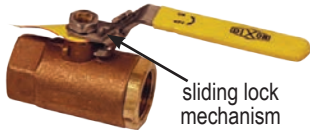
## Safety Vented Ball Valves

### Applications:

- for air service only
- vent downstream air in accordance with OSHA regulation 1910.147 for pneumatic systems

### Features:

- pressure rating: **600 PSI**
- bronze valve
- chromium plated ball
- RPTFE seats and stuffing box ring
- blow-out proof stem design
- adjustable packing gland



sliding lock mechanism

### female NPT x female NPT

Size	Port	Bronze	
		Part #	Price/E
1/4"	full	<b>BBV25LV</b>	<b>\$52.90</b>
3/8"	full	<b>BBV38LV</b>	<b>52.90</b>
1/2"	full	<b>BBV50LV</b>	<b>52.90</b>
3/4"	standard	<b>BBV75LV</b>	<b>76.25</b>
1"	standard	<b>BBV100LV</b>	<b>97.40</b>
1 1/4"	standard	<b>BBV125LV</b>	<b>154.00</b>
1 1/2"	standard	<b>BBV150LV</b>	<b>188.80</b>
2"	standard	<b>BBV200LV</b>	<b>229.25</b>

## Bronze Ball Valves with NPT Tap for Drain

### Application:

- recommended for water and air service

### Features:

- pressure rating: **125 PSI** WOG
- vent downstream air in accordance with OSHA regulations for pneumatic systems
- chromium plated ball
- RPTFE seats and stuffing box ring
- blow-out proof stem
- adjustable packing gland
- auto-drain / auto-vent
- 1/4" NPT tapped port provides additional options such as an air venting elbow or noise muffler



### female NPT x female NPT

Size	Port	Bronze	
		Part #	Price/E
1/4"	full	<b>BBV25VT</b>	<b>\$58.00</b>
3/8"	full	<b>BBV38VT</b>	<b>58.00</b>
1/2"	full	<b>BBV50VT</b>	<b>57.00</b>
3/4"	full	<b>BBV75VT</b>	<b>115.00</b>
1"	full	<b>BBV100VT</b>	<b>165.00</b>

## Imported Brass Ball Valves

### Applications:

- for control of air, water, oil and gas in hose or pipe lines, for other services, please contact Dixon™

### Features:

- pressure rating: **600 PSI WOG**; **150 PSI** Working Steam Pressure
- forged brass body
- blow-out proof stems
- PTFE seat, seal and thrust washer
- chrome-plated brass ball and plated steel handle
- maximum temperature: **366°F**
- Underwriters Listed

### female NPT x female NPT

Size	Port	Part #	Brass	Price/E
1/4"	full	<b>FBV25</b>		<b>\$18.30</b>
3/8"	full	<b>FBV38</b>		<b>18.90</b>
1/2"	full	<b>FBV50</b>		<b>22.25</b>
3/4"	full	<b>FBV75</b>		<b>31.70</b>
1"	full	<b>FBV100</b>		<b>47.15</b>
1 1/4"	full	<b>FBV125</b>		<b>82.10</b>
1 1/2"	full	<b>FBV150</b>		<b>121.45</b>
2"	full	<b>FBV200</b>		<b>172.20</b>



### female NPT x female NPT

Size	Port	Part #	Brass	Price/E
2 1/2"	full	<b>FBV250</b>		<b>\$379.55</b>
3"	full	<b>FBV300</b>		<b>543.20</b>
4"	full	<b>FBV400</b>		<b>897.60</b>

## Locking Handle Imported Brass Ball Valves

### Applications:

- for control of air, water, oil and gas in hose or pipe lines, for other services, please contact Dixon™

### Features:

- pressure ratings: **600 PSI WOG**; **150 PSI** Working Steam Pressure
- forged brass body
- blow-out proof stem
- PTFE seat, seal and thrust washer
- chrome-plated brass ball and plated steel handle
- maximum temperature: **366°F**

### female NPT x female NPT

Size	Port	Part #	Brass	Price/E
1/2"	full	<b>FBVL50</b>		<b>\$36.00</b>
3/4"	full	<b>FBVL75</b>		<b>47.00</b>
1"	full	<b>FBVL100</b>		<b>64.50</b>
1 1/4"	full	<b>FBVL125</b>		<b>106.70</b>
1 1/2"	full	<b>FBVL150</b>		<b>150.50</b>
2"	full	<b>FBVL200</b>		<b>205.90</b>
2 1/2"	full	<b>FBVL250</b>		<b>446.25</b>
3"	full	<b>FBVL300</b>		<b>654.40</b>
4"	full	<b>FBVL400</b>		<b>1084.50</b>



Q

## Global Brass Ball Valves

### Applications:

- for water and air only

### Features:

- pressure ratings:
  - 1/4" - 3/8" rated to **365 PSI**
  - 1/2" - 2" rated to **600 PSI**
- forged brass body
- maximum temperature: **248°F (120°C)**



### female NPT x female NPT

Size	Port	Brass	
		Part #	Price/E
1/4"	full	<b>FBVG25</b>	<b>\$7.50</b>
3/8"	full	<b>FBVG38</b>	<b>7.50</b>
1/2"	full	<b>FBVG50</b>	<b>11.80</b>
3/4"	full	<b>FBVG75</b>	<b>16.60</b>
1"	full	<b>FBVG100</b>	<b>27.25</b>
1 1/4"	full	<b>FBVG125</b>	<b>42.00</b>
1 1/2"	full	<b>FBVG150</b>	<b>59.00</b>
2"	full	<b>FBVG200</b>	<b>90.00</b>

## Solder End Brass Ball Valves

### Application:

- designed to provide the best protection against potential gas leakage under extreme duty or low pressure applications

### Features:

- pressure rating: **600 PSI WOG**; **150 PSI** working steam pressure
- maximum temperature: **366°F**
- brass body
- blow-out proof stem
- chrome-plated brass ball
- adjustable stem packing nut
- PTFE seat, seal, and thrust washer



Size	Port	Brass	
		Part #	Price/E
1/2"	full	<b>FBV50SE</b>	<b>\$23.95</b>
3/4"	full	<b>FBV75SE</b>	<b>32.65</b>
1"	full	<b>FBV100SE</b>	<b>48.15</b>
1 1/4"	full	<b>FBV125SE</b>	<b>86.80</b>
1 1/2"	full	<b>FBV150SE</b>	<b>125.55</b>
2"	full	<b>FBV200SE</b>	<b>178.15</b>

## Lead Free Brass Ball Valves

### Features:

- lead free refers to the wetted surface of pipes, fittings and fixtures in potable water systems that have a weighted average lead content = 0.25%. Source: California Health & Safety Code (116875). Vermont Act 193\*171NLF
- pressure rating: 600 WOG - 150 WSP
- maximum temperature: **366°F**
- PTFE seat and double O-ring stem packing

### female NPT x female NPT



Size	Port	Brass	
		Part #	Price/E
1/2"	full	<b>LFV50</b>	<b>\$26.75</b>
3/4"	full	<b>LFV75</b>	<b>38.00</b>
1"	full	<b>LFV100</b>	<b>57.00</b>
1 1/4"	full	<b>LFV125</b>	<b>99.00</b>
1 1/2"	full	<b>LFV150</b>	<b>146.00</b>
2"	full	<b>LFV200</b>	<b>214.00</b>

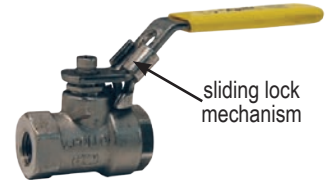
## 316 Stainless Steel 2-Piece Domestic Ball Valves Full Port

**Features:**

- pressure rating: **1,000 PSI** Cold Working Pressure
- pressure rating: **150 PSI** saturated steam
- vacuum service to 29 inches Hg
- 316 stainless body, ball and stem
- PTFE seal
- blow-out proof stem
- vinyl handle cover
- temperature range: **-40°F to 400°F**

**female NPT x female NPT**

Size	Port	316 Stainless Steel	
		Part #	Price/E
1/4"	full	<b>DSBV25</b>	<b>\$95.50</b>
3/8"	full	<b>DSBV38</b>	<b>95.50</b>
1/2"	full	<b>DSBV50</b>	<b>100.25</b>
3/4"	full	<b>DSBV75</b>	<b>131.50</b>
1"	full	<b>DSBV100</b>	<b>185.25</b>
1 1/4"	full	<b>DSBV125</b>	<b>234.50</b>
1 1/2"	full	<b>DSBV150</b>	<b>367.50</b>
2"	full	<b>DSBV200</b>	<b>457.00</b>



## Stainless Steel Ball Valves Full Port

**Application:**

- for use with water, oil and gas

**Features:**

- pressure rating: 1/4" - 2" rated to **1000 PSI** WOG (CWP)  
2 1/2" - 3" rated to **800 PSI** WOG (CWP)  
**100 PSI** saturated steam
- 316 stainless steel body, ball and stem
- R-PTFE seat, joint gasket and thrust washer
- plastic cover on handle
- blow-out proof stem design
- temperature range: **-20°F to 450°F**

**female NPT x female NPT**

Size	Port	316 Stainless Steel	
		Part #	Price/E
1/4"	full	<b>SSBV25</b>	<b>\$39.50</b>
3/8"	full	<b>SSBV38</b>	<b>42.00</b>
1/2"	full	<b>SSBV50</b>	<b>44.00</b>
3/4"	full	<b>SSBV75</b>	<b>63.00</b>
1"	full	<b>SSBV100</b>	<b>84.00</b>
1 1/4"	full	<b>SSBV125</b>	<b>121.00</b>
1 1/2"	full	<b>SSBV150</b>	<b>166.00</b>
2"	full	<b>SSBV200</b>	<b>232.00</b>
2 1/2"	full	<b>SSBV250</b>	<b>495.00</b>
3"	full	<b>SSBV300</b>	<b>690.00</b>



Q

## Stainless Steel Ball Valves

### Full Port, Locking Handle

**Application:**

- for use with water, oil and gas

**Features:**

- pressure rating: ¼" - 2" rated to **1000 PSI** WOG (CWP)  
2½" - 3" rated to **800 PSI** WOG (CWP)  
**100 PSI** saturated steam
- 316 stainless steel body, ball and stem
- R-PTFE seat, joint gasket and thrust washer
- plastic cover on handle
- blow-out proof stem design
- temperature range: **-20°F to 450°F**
- lockable

**female NPT x female NPT**

Size	Port	316 Stainless Steel	
		Part #	Price/E
¼"	full	<b>SSLBV25</b>	<b>\$43.00</b>
⅜"	full	<b>SSLBV38</b>	<b>44.00</b>
½"	full	<b>SSLBV50</b>	<b>48.00</b>
¾"	full	<b>SSLBV75</b>	<b>70.00</b>
1"	full	<b>SSLBV100</b>	<b>90.00</b>
1¼"	full	<b>SSLBV125</b>	<b>129.00</b>
1½"	full	<b>SSLBV150</b>	<b>171.00</b>
2"	full	<b>SSLBV200</b>	<b>236.00</b>
2½"	full	<b>SSLBV250</b>	<b>510.00</b>
3"	full	<b>SSLBV300</b>	<b>750.00</b>

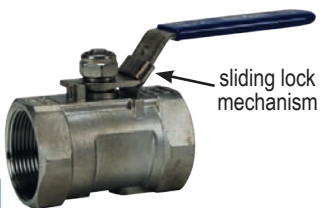
### Reduced Port, Locking Handle

**Application:**

- for use with water, oil and gas

**Features:**

- pressure rating: **800 PSI** WOG; **100 PSI** saturated steam
- 316 stainless steel body, ball and stem
- R-PTFE seat, joint gasket and thrust washer
- plastic cover on handle
- blow-out proof stem design
- temperature range: **-20°F to 450°F**
- lockable

**female NPT x female NPT**

Size	Port	316 Stainless Steel	
		Part #	Price/E
¼"	reduced	<b>SSLBV25SP</b>	<b>\$28.50</b>
⅜"	reduced	<b>SSLBV38SP</b>	<b>30.50</b>
½"	reduced	<b>SSLBV50SP</b>	<b>32.50</b>
¾"	reduced	<b>SSLBV75SP</b>	<b>44.00</b>
1"	reduced	<b>SSLBV100SP</b>	<b>63.00</b>
1¼"	reduced	<b>SSLBV125SP</b>	<b>84.00</b>
1½"	reduced	<b>SSLBV150SP</b>	<b>115.00</b>
2"	reduced	<b>SSLBV200SP</b>	<b>162.00</b>

## 3-Piece Industrial Stainless Steel Ball Valves

### Features:

- blow out proof stem
- live-loaded stem packing
- swing out design for easy maintenance
- ISO 5211 mounting pad
- RTFE seat and seals
- maximum temperature: **400°F**

Size	Port	PSI @ 65°F	Body Length	Female NPT CF8M Stainless Steel		Socket Weld CF8M Stainless Steel	
				Part #	Price/E	Part #	Price/E
½"	full	1000	2.5"	<b>BV2IG-05011-A</b>	\$105.00	<b>BV2IG-05033-A</b>	\$105.00
¾"	full	1000	3.1"	<b>BV2IG-07511-A</b>	131.45	<b>BV2IG-07533-A</b>	131.45
1"	full	1000	3.3"	<b>BV2IG-10011-A</b>	171.45	<b>BV2IG-10033-A</b>	171.45
1¼"	full	1000	4.1"	<b>BV2IG-12511-A</b>	227.70	<b>BV2IG-12533-A</b>	227.70
1½"	full	1000	4.4"	<b>BV2IG-15011-A</b>	311.60	<b>BV2IG-15033-A</b>	311.60
2"	full	1000	5.1"	<b>BV2IG-20011-A</b>	443.95	<b>BV2IG-20033-A</b>	443.95
2½"	full	800	6.6"	<b>BV2IG-25011-A</b>	887.55	<b>BV2IG-25033-A</b>	887.55
3"	full	800	7.3"	<b>BV2IG-30011-A</b>	1260.00	<b>BV2IG-30033-A</b>	1260.00
4"	full	600	8.9"	<b>BV2IG-40011-A</b>	2178.85	<b>BV2IG-40033-A</b>	2178.85



## Domestic "Deadman" Spring Return Handle Ball Valves

### Features:

- pressure rating: **2000 PSI WOG** ½" to 1"; **1500 PSI WOG** 1¼" to 2"
- **150 PSI** saturated steam, all sizes
- vacuum service to 29 inches Hg, all sizes
- PTFE seal
- blow-out proof stem design
- adjustable packing gland
- spring return closes valve when not held open
- operating torque approximately three times standard valve torque

### female NPT x female NPT

Size	Port	316 Stainless Steel	
		Part #	Price/E
½"	full	<b>SSBV50SR</b>	\$280.20
¾"	standard	<b>SSBV75SR</b>	362.75
1"	standard	<b>SSBV100SR</b>	407.70
1¼"	standard	<b>SSBV125SR</b>	663.75
1½"	standard	<b>SSBV150SR</b>	715.00
2"	standard	<b>SSBV200SR</b>	888.75



## Industrial Wafer Ball Valves

### Features:

- ANSI Class 150 wafer style ball valve
- full port, sizes 1" to 4"
- blow out proof stem
- ideal option to high performance butterflies
- space saving, anti-static stem design
- locking plate included

### Materials:

- body – CF8M
- ball and end connection – 316 stainless steel
- elastomers – FKM
- stem seal – PTFE

Size	Stainless Steel	
	Part #	Price/E
1"	<b>BV2IC-100WW-A</b>	\$662.10
1¼"	<b>BV2IC-125WW-A</b>	755.05
1½"	<b>BV2IC-150WW-A</b>	859.00
2"	<b>BV2IC-200WW-A</b>	1069.70
2½"	<b>BV2IC-250WW-A</b>	1707.20
3"	<b>BV2IC-300WW-A</b>	2320.00
4"	<b>BV2IC-400WW-A</b>	3436.20



## Full Flow Ball Valves

### Features:

- high flow rate; low pressure drop
- wetted parts are aluminum and stainless steel
- FPM seals
- spindle can be disassembled even when ball valve is installed
- working pressure: **150 PSI** at ambient temperature (70°F)
- standard valve ports - female NPT, socket weld for Schedule 40 pipe and grooved
- optional ports include DN flange, butt weld and 150# flange, contact Dixon™ for details
- two ports - one inlet and one outlet

### One-Way with Female NPT ends



Size	Aluminum	
	Part #	Price/E
2"	<b>1WAYBV200</b>	<b>\$790.00</b>
3"	<b>1WAYBV300</b>	<b>1050.00</b>
4"	<b>1WAYBV400</b>	<b>1520.00</b>

### One-Way with Socket Weld End to Schedule 40 Pipe



Size	Bore	Aluminum	
		Part #	Price/E
2"	2.390"	<b>1WAYBV200SW</b>	<b>\$816.50</b>
3"	3.530"	<b>1WAYBV300SW</b>	<b>1085.75</b>

### One-Way with Grooved Ends



Size	Aluminum	
	Part #	Price/E
2"	<b>1WAYBV200VIC</b>	<b>\$1080.00</b>
3"	<b>1WAYBV300VIC</b>	<b>1699.00</b>

Q

## Full Flow Ball Valves

### Features:

- high flow rate; low pressure drop
- wetted parts are aluminum and stainless steel
- FPM seals
- spindle can be disassembled even when ball valve is installed
- working pressure: **150 PSI** at ambient temperature (70°F)
- standard valve ports - female NPT, socket weld for Schedule 40 pipe and grooved
- optional ports include DN flange, butt weld and 150# flange, contact Dixon™ for details
- three ports - one inlet and two outlets, valve directs the flow from the inlet to either of the two outlets
- commonly used for switching compartments or tanks

### Two-Way with Female NPT ends

Size	Aluminum	
	Part #	Price/E
2"	<b>2WAYBV200</b>	<b>\$1100.00</b>
3"	<b>2WAYBV300</b>	<b>1370.00</b>
4"	<b>2WAYBV400</b>	<b>3070.00</b>



### Two-Way with Socket Weld End to Schedule 40 Pipe

Size	Bore	Aluminum	
		Part #	Price/E
2"	2.390"	<b>2WAYBV200SW</b>	<b>\$1140.00</b>
3"	3.530"	<b>2WAYBV300SW</b>	<b>1464.25</b>



### Two-Way with Grooved Ends

Size	Aluminum	
	Part #	Price/E
2"	<b>2WAYBV200VIC3</b>	<b>\$1490.00</b>
3"	<b>2WAYBV300VIC3</b>	<b>2495.00</b>



Q



## Carbon Steel Ball Valves

### Application:

- for control of air, water, oil and gas in hose or pipe lines, for other services, please contact Dixon™

### Features:

- pressure rating: **150 PSI** saturated steam
- carbon steel body
- chromium plated ball
- RPTFE seat and seal
- blow-out proof stem
- adjustable packing gland



### female NPT x female NPT

Size	PSI	Port	Carbon Steel	
			Part #	Price/E
1/4"	<b>2000</b>	full	<b>IBV25</b>	<b>\$64.00</b>
3/8"	<b>2000</b>	full	<b>IBV38</b>	<b>64.00</b>
1/2"	<b>2000</b>	standard	<b>IBV50</b>	<b>64.00</b>
3/4"	<b>2000</b>	standard	<b>IBV75</b>	<b>74.00</b>
1"	<b>2000</b>	standard	<b>IBV100</b>	<b>98.50</b>
1 1/4"	<b>1500</b>	standard	<b>IBV125</b>	<b>150.00</b>
1 1/2"	<b>1500</b>	standard	<b>IBV150</b>	<b>208.00</b>
2"	<b>1500</b>	standard	<b>IBV200</b>	<b>270.00</b>

## High Pressure Full-Bore Ball Valves

### Features:

- blow-out proof stem
- rugged construction
- FKM/FPM seals
- POM (Polyacetal) ball seats



### female NPT x female NPT

Size	PSI	Carbon Steel				PSI	316 Stainless Steel	
		NPTF Part #	Price/E	SAE Part #	Price/E		NPTF Part #	Price/E
1/4"	<b>7350</b>	<b>HPBV25</b>	<b>\$63.90</b>	<b>HPBV25SAE</b>	<b>\$71.65</b>	<b>5880</b>	<b>HPBV25SS</b>	<b>\$427.50</b>
3/8"	<b>7350</b>	<b>HPBV38</b>	<b>67.80</b>	<b>HPBV38SAE</b>	<b>80.70</b>	<b>5880</b>	<b>HPBV38SS</b>	<b>497.50</b>
1/2"	<b>7350</b>	<b>HPBV12</b>	<b>73.70</b>	<b>HPBV12SAE</b>	<b>87.10</b>	<b>5880</b>	<b>HPBV12SS</b>	<b>595.00</b>
3/4"	<b>6000</b>	<b>HPBV34</b>	<b>145.05</b>	<b>HPBV34SAE</b>	<b>162.20</b>	<b>5145</b>	<b>HPBV34SS</b>	<b>1027.90</b>
1"	<b>6000</b>	<b>HPBV10</b>	<b>173.10</b>	<b>HPBV10SAE</b>	<b>190.00</b>	<b>5145</b>	<b>HPBV10SS</b>	<b>1212.80</b>
1 1/4"	<b>6000</b>	<b>HPBV125</b>	<b>452.90</b>	<b>HPBV125SAE</b>	<b>490.20</b>	---	---	---
1 1/2"	<b>6000</b>	<b>HPBV150</b>	<b>548.90</b>	<b>HPBV150SAE</b>	<b>583.00</b>	---	---	---
2"	<b>6000</b>	<b>HPBV200</b>	<b>831.00</b>	<b>HPBV200SAE</b>	<b>870.00</b>	---	---	---

## High Pressure Full-Bore 3-Way Ball Valves



### Features:

- temperature range: **-20°F to 215° F**
- rugged construction
- FKM seals
- POM (polyacetal) ball seats
- black oxide coating
- nickel plated ball

### female NPT x female NPT x female NPT

Size	PSI	Carbon Steel NPTF Part #	Price/E
1/2"	<b>5145</b>	<b>HPBV12-3WAY</b>	<b>\$163.00</b>
3/4"	<b>5145</b>	<b>HPBV34-3WAY</b>	<b>204.00</b>
1"	<b>5145</b>	<b>HPBV10-3WAY</b>	<b>218.00</b>

## 150# Flanged Ball Valves

**NEW****Applications:**

- suitable for air, water, oil and gas

**Features:**

- product approvals include: LP gas shut-off valves, flammable liquid shut-off valves, gas shut-off valves, compressed gas shut-off valves, and anhydrous ammonia shut-off valves
- Body: ASTM A216 WCB
- RPTFE seat
- vacuum service to 29 inches of Hg
- pressure rating: **150 PSIG** saturated steam
- temperature up to **400°F**
- PSI rating up to **280 PSI**
- four point ISO 5211 mounting pad bolt pattern
- anti-static grounded ball and stem
- blow-out proof stem design
- bleed/drain port (cast) ½" NPT
- fire safe (graphite packing and seal)
- adjustable packing gland



Size	Port	Carbon Steel	
		Part #	Price/E
2"	full	<b>FLBV200CS</b>	<b>\$1260.00</b>
2½"	full	<b>FLBV250CS</b>	<b>2125.00</b>
3"	full	<b>FLBV300CS</b>	<b>2205.00</b>
4"	full	<b>FLBV400CS</b>	<b>3370.00</b>
6"	full	<b>FLBV600CS</b>	<b>7642.00</b>
8"	full	<b>FLBV800CS</b>	<b>15526.00</b>

## Polypropylene Bolted Ball Valves

**Features:**

- pressure rating: ½" - 3" is rated to **125 PSI** at 70°F  
4" is rated to **90 PSI** at 70°F
- chemically-resistant, reinforced polypropylene
- PTFE ball seat
- EPDM O-ring body seal, FKM O-ring stem seal
- 304 stainless steel nuts and bolts
- FDA approved material

## 4-bolt valve design

## female NPT x female NPT

Size	Port	Polypropylene		Opt Qty
		Part #	Price/E	
½"	full	<b>PVFP50</b>	<b>\$48.50</b>	24
¾"	full	<b>PVFP75</b>	<b>48.50</b>	24
1"	full	<b>PVFP100</b>	<b>56.50</b>	24
1½"	full	<b>PVFP150</b>	<b>72.25</b>	24
1"	standard	<b>PV100</b>	<b>48.50</b>	24
2"	standard	<b>PV200</b>	<b>70.00</b>	24



Q

## 6-bolt valve design

## female NPT x female NPT

Size	Port	Polypropylene		Opt Qty
		Part #	Price/E	
2"	full	<b>PVFP200</b>	<b>\$102.00</b>	12
3"	full	<b>PVFP300</b>	<b>246.75</b>	8
4"	full	<b>PVFP400</b>	<b>520.00</b>	4



## Polypropylene Compact Bolted Ball Valves

**Features:**

- pressure rating: **125 PSI** at 70°F
- chemically-resistant, reinforced polypropylene body, PTFE ball seat
- EPDM O-ring body seal, FKM O-ring stem seals
- 304 stainless steel nuts and bolts
- FDA approved material


**female NPT x female NPT**

Size	Port	Body Length	Polypropylene	
			Part #	Price/E
2"	full	4-7/8"	<b>PVFP200</b>	<b>\$80.75</b>

**female NPT x male adapter**

Size	Port	Body Length	Polypropylene	
			Part #	Price/E
2"	full	6-7/8"	<b>PVFP200</b>	<b>\$80.75</b>

## Polypropylene 45° Single Union Nozzle Valve

**Features:**

- pressure rating: **125 PSI** at 70°F
- corrosion resistant polypropylene body, PTFE ball seats
- EPDM O-ring
- FDA approved material


**female NPT x nozzle**

Size	Port	Polypropylene		Pkg Qty
		Part #	Price/E	
1"	full	<b>SUBVN100</b>	<b>\$29.50</b>	24

## Polypropylene Bolted Ball Valves with Nozzle

**Features:**

- pressure rating: **125 PSI** at 70°F
- chemically-resistant, reinforced polypropylene body, PTFE ball seat
- EPDM O-ring body seals, FKM O-ring stem seals
- 304 stainless steel nuts and bolts
- FDA approved material
- body-to-flange design allows for low torque operation


**female NPT x nozzle**

Size	Port	Polypropylene		Opt Qty
		Part #	Price/E	
1½"	full	<b>PVFPN150</b>	<b>\$98.75</b>	12
2"	full	<b>PVFPN200</b>	<b>142.50</b>	9
2"	standard	<b>PVN200</b>	<b>101.75</b>	12

## Polypropylene Single Union Ball Valves

**Features:**

- pressure rating: **125 PSI** at 70°F
- corrosion resistant polypropylene body, PTFE ball seat
- EPDM O-ring
- FDA approved material


**female NPT x female NPT**

Size	Port	Polypropylene		Pkg Qty
		Part #	Price/E	
½"	full	<b>SUBV50</b>	<b>\$20.50</b>	24
¾"	full	<b>SUBV75</b>	<b>22.25</b>	24
1"	full	<b>SUBV100</b>	<b>28.25</b>	24
1¼"	full	<b>SUBV125</b>	<b>47.25</b>	12
1½"	full	<b>SUBV150</b>	<b>57.75</b>	12
2"	full	<b>SUBV200</b>	<b>74.00</b>	12
3"	full	<b>SUBV300</b>	<b>219.00</b>	4

## Domestic Gate Valves

### Features:

- Class 150
- pressure rating: **300 PSI** cold working pressure, **150 PSI** steam working pressure
- union bonnet
- ASME B1.20.1
- Grafoil® packing
- rising stem
- solid disc
- malleable iron handwheel
- 100% factory tested
- temperature range: -20°F to 406°F

Female NPT	Bronze	
	Part #	Price/E
½"	<b>DBGV50</b>	<b>\$119.30</b>
¾"	<b>DBGV75</b>	<b>141.70</b>
1"	<b>DBGV100</b>	<b>178.95</b>
1¼"	<b>DBGV125</b>	<b>275.90</b>
1½"	<b>DBGV150</b>	<b>340.00</b>
2"	<b>DBGV200</b>	<b>413.05</b>



## Gate Valves

### Features:

- pressure rating: **200 PSI** non-shock cold water, oil, gas
- threaded bonnet
- integral seat
- adjustable packing nut
- non-rising stem
- solid wedge disc
- iron handwheel
- 100% factory tested

Female NPT	Brass		316 Stainless Steel	
	Part #	Price/E	Part #	Price/E
¼"	<b>BGV25</b>	<b>\$19.60</b>	---	---
⅜"	<b>BGV38</b>	<b>19.60</b>	---	---
½"	<b>BGV50</b>	<b>19.60</b>	<b>SSGV50</b>	<b>\$136.75</b>
¾"	<b>BGV75</b>	<b>26.60</b>	<b>SSGV75</b>	<b>162.75</b>
1"	<b>BGV100</b>	<b>39.75</b>	<b>SSGV100</b>	<b>204.00</b>
1¼"	<b>BGV125</b>	<b>56.00</b>	<b>SSGV125</b>	<b>279.10</b>
1½"	<b>BGV150</b>	<b>71.20</b>	<b>SSGV150</b>	<b>371.50</b>
2"	<b>BGV200</b>	<b>106.00</b>	<b>SSGV200</b>	<b>458.30</b>
2½"	<b>BGV250</b>	<b>202.00</b>	---	---
3"	<b>BGV300</b>	<b>270.00</b>	---	---
4"	<b>BGV400</b>	<b>430.00</b>	---	---



### Application:

- can be used for steam service

### Features:

- Class 800
- ASTM A105, ANSI B120.1
- bolted bonnet
- pressure rating: **1975 PSI**
- maximum temperature: **800°F**

Female NPT	Forged Steel	
	Part #	Price/E
½"	<b>FSGV50</b>	<b>\$114.35</b>
¾"	<b>FSGV75</b>	<b>120.35</b>
1"	<b>FSGV100</b>	<b>166.55</b>
1¼"	<b>FSGV125</b>	<b>300.90</b>
1½"	<b>FSGV150</b>	<b>311.50</b>
2"	<b>FSGV200</b>	<b>395.20</b>



## Domestic Globe Valves


**Features:**

- Class 150
- pressure rating: **300 PSI** cold working pressure, **150 PSI** steam working pressure
- union bonnet
- ASME B1.20.1
- Grafoil® packing
- PTFE disc
- malleable iron handwheel
- 100% factory tested

Female NPT	Part #	Bronze	Price/E
1/2"	<b>DGLBV50</b>		<b>\$172.00</b>
3/4"	<b>DGLBV75</b>		<b>230.00</b>
1"	<b>DGLBV100</b>		<b>360.00</b>
1 1/4"	<b>DGLBV125</b>		<b>573.00</b>
1 1/2"	<b>DGLBV150</b>		<b>696.00</b>
2"	<b>DGLBV200</b>		<b>1044.00</b>

## Globe Valves


**Features:**

- Class 800
- ASTM A105, ANSI B120.1
- bolted bonnet
- pressure rating: **1975 PSI**
- maximum temperature: **800°F**
- can be used for steam service

Female NPT	Part #	Forged Steel	Price/E
1/2"	<b>FSGLBV50</b>		<b>\$158.50</b>
3/4"	<b>FSGLBV75</b>		<b>172.55</b>
1"	<b>FSGLBV100</b>		<b>228.70</b>
1 1/4"	<b>FSGLBV125</b>		<b>413.25</b>
1 1/2"	<b>FSGLBV150</b>		<b>423.25</b>
2"	<b>FSGLBV200</b>		<b>523.55</b>

## Dual Y Valves


**Vented**

Female NPT Inlet (1)	Female NPT Outlets (2)	Bronze Part #	Price/E
1"	3/4"	<b>BBV100DWV</b>	<b>\$167.00</b>
1 1/4"	3/4"	<b>BBV125DWV</b>	<b>167.00</b>

**Application:**

- dual action valve, ideal for compressor applications

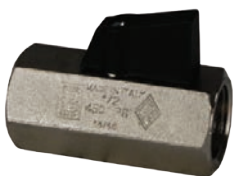
**Features:**

- non-vented pressure rating: **600 PSI** WOG
- vented pressure rating: **125 PSI** Cold Working Pressure

**Non-Vented**

Female NPT Inlet (1)	Female NPT Outlets (2)	Bronze Part #	Price/E
1"	3/4"	<b>BBV100DW</b>	<b>\$167.00</b>
1 1/4"	3/4"	<b>BBV125DW</b>	<b>167.00</b>

## Mini Ball Valves

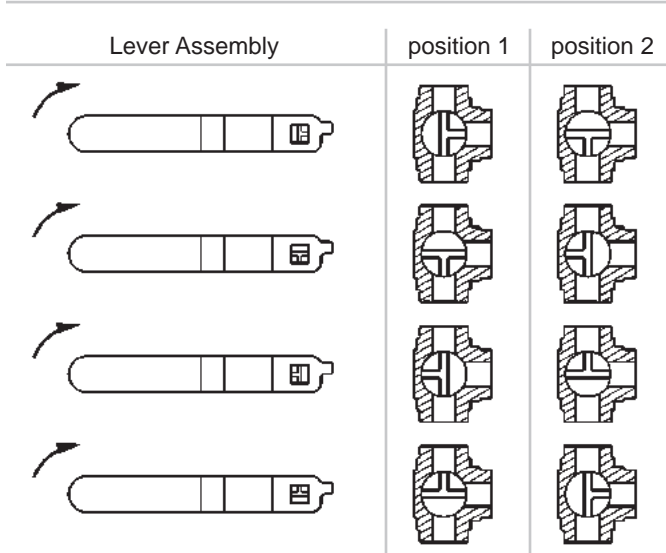

**Features:**

- pressure rating: **450 PSI**
- nickel plated brass body
- PTFE seats and FKM stem seal
- blow-out proof stem
- maximum temperature **330°F**
- Canadian Standard Association approved

**female NPT x female NPT**

Size	Port	Part #	Brass	Price/E
1/8"	standard	<b>MBV12</b>		<b>\$13.40</b>
1/4"	standard	<b>MBV25</b>		<b>13.40</b>
3/8"	standard	<b>MBV38</b>		<b>12.45</b>
1/2"	standard	<b>MBV50</b>		<b>18.30</b>

## 3-Way Diverting Ball Valves T Flow Pattern



Note: ¼ turn handle can be adjusted to any orientation. Notches on the valve stem reflect the three openings on the ball.



**Features:**

- pressure rating: **400 PSI** WOG; **100 PSI** saturated steam
- chrome plated brass ball
- PTFE seats, seals, and thrust washer
- brass body
- adjustable stem packing
- blow-out proof stem
- maximum temperature: **366°F**

**female NPT x female NPT x female NPT**

Size	Port	Brass	
		Part #	Price/E
½"	standard	<b>BBV50DTW</b>	<b>\$108.50</b>
¾"	standard	<b>BBV75DTW</b>	<b>119.80</b>
1"	standard	<b>BBV100DTW</b>	<b>183.65</b>
1¼"	standard	<b>BBV125DTW</b>	<b>269.10</b>
1½"	standard	<b>BBV150DTW</b>	<b>409.35</b>
2"	standard	<b>BBV200DTW</b>	<b>668.55</b>

## L Flow Pattern

**Features:**

- can be used with gasoline and diesel fuel
- pressure rating: **400 PSI** WOG
- bronze body
- blow-out proof stem
- chromium-plated ball
- RPTFE seats and stuffing box ring
- stainless steel handle and nut with vinyl sleeve
- adjustable packing gland

**female NPT x female NPT x female NPT**

Size	Port	Bronze	
		Part #	Price/E
½"	full	<b>BBV50TW</b> <sup>1</sup>	<b>\$72.90</b>
¾"	standard	<b>BBV75TW</b>	<b>100.75</b>
1"	standard	<b>BBV100TW</b>	<b>133.50</b>

<sup>1</sup> carbon steel handle and nut with vinyl sleeve

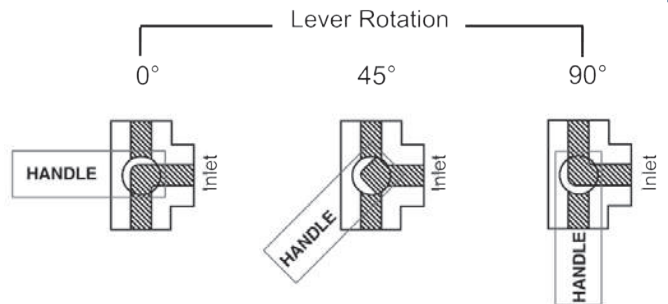


**Features:**

- rated to **800 PSI** WOG
- stainless steel body and ball
- blow-out proof stem
- RPTFE seats and stuffing box ring
- stainless steel handle and nut with vinyl sleeve
- adjustable packing gland
- meets NACE MR-01-75

**female NPT x female NPT x female NPT**

Size	Port	Stainless Steel	
		Part #	Price/E
½"	full	<b>SSBV50TW</b>	<b>\$302.00</b>
¾"	standard	<b>SSBV75TW</b>	<b>400.00</b>
1"	standard	<b>SSBV100TW</b>	<b>503.00</b>



## Drum Plug Wrenches



DPW



ADPW

**Features:**

- sparkproof, natural finish is safe around flammables
- offset handle design reduces user stress and minimizes knuckle injury

Bronze		Aluminum	
Part #	Price/E	Part #	Price/E
<b>DPW</b>	<b>\$106.50</b>	<b>ADPW</b>	<b>\$42.50</b>

## Drum Faucets

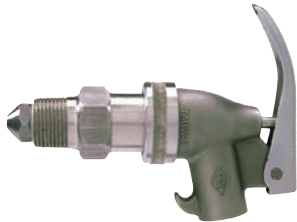
### Polyethylene Drum Faucets


**Features:**

- Faucets are *not* to be used in applications where temperatures exceed **140°F (60°C)**.
- no wrench needed for screwing into drum opening
- 2" faucet is shipped with a gasket; the ¾" does not require a gasket

NPT Thread	Part #	Gold Polyethylene	Price/E
¾"	<b>PEDF75</b>		<b>\$10.80</b>
2"	<b>PEDF200</b>		<b>56.75</b>

### Stainless Heavy Duty Adjustable Drum Faucet


**Features:**

- ¾" NPT connection
- adjustable shank is designed to easily adjust to proper drain position after installing in drum
- PTFE gasket
- FM approved for use with oils and non-flammables

Part #	Stainless Steel	Price/E
<b>HDSSF75</b>		<b>\$565.00</b>

### Brass Heavy Duty Adjustable Drum Faucet


**Features:**

- ¾" NPT connection
- easy to use, self-closing design
- FM approved for use with oils and non-corrosive flammables

Part #	Brass	Price/E
<b>AHDBF75</b>		<b>\$229.25</b>

### Brass Heavy Duty Drum Faucet with Rigid Shank


**Features:**

- ¾" NPT connection
- easy to use, self-closing design
- PTFE gasket
- FM approved for use with oils and non-corrosive flammables

Part #	Brass	Price/E
<b>HDBF75</b>		<b>\$183.50</b>

## Compression Bibb Faucets


**Application:**

- for water use only

**Features:**

- rough brass finish
- nozzle end is GHT

Male NPT Inlet	Part #	Brass	Price/E
½"	<b>35-201-10</b>		<b>\$32.50</b>
¾"	<b>35-202-10</b>		<b>32.50</b>

## Drum Thread Adapter

**Application:**

- for use in gravity discharge from drums

**Features:**

- male NPSH thread with gasket on the drum side allows for a connection to drums with female NPSH thread
- male NPT end allows for a connection with the female NPT found on most ball valves



Size	Part #	Cast Brass	Price/E
2" x 2"	<b>DMH20DR20</b>		<b>\$68.00</b>

## Drum Gate Valves

**Application:**

- ideal for drawing non-flammable liquids from drums and tanks

**Features:**

- iron body
- manually operated
- machined and lapped brass faceplate designed for oval discharge, ensures no splashing and a smooth operation
- black Japanned finish
- can be padlocked



Male NPT	Part #	Iron	Price/E
3/4"	<b>D71</b>		<b>\$87.00</b>
2"	<b>D75</b>		<b>117.00</b>

**Features:**

- lightweight, durable aluminum body provides improved corrosion resistance for certain fluids
- sturdy 2" handle is stamped metal with black enamel finish
- can be padlocked



Male NPT	Part #	Aluminum	Price/E
2"	<b>D75AL</b>		<b>\$169.00</b>

## Self-Closing Gate Valves

**Application:**

- ideal for dispensing viscous liquids such as oil, grease, paint, varnish and syrups from drums and tanks

**Features:**

- gray iron body, brass sliding gate and machine lapped sealing surface
- gate closes automatically when handle is released, cleaning discharge surface
- can be padlocked



Male NPT	Part #	Iron	Price/E
3/4"	<b>D71SC</b>		<b>\$137.00</b>
2"	<b>D75SC</b>		<b>340.00</b>



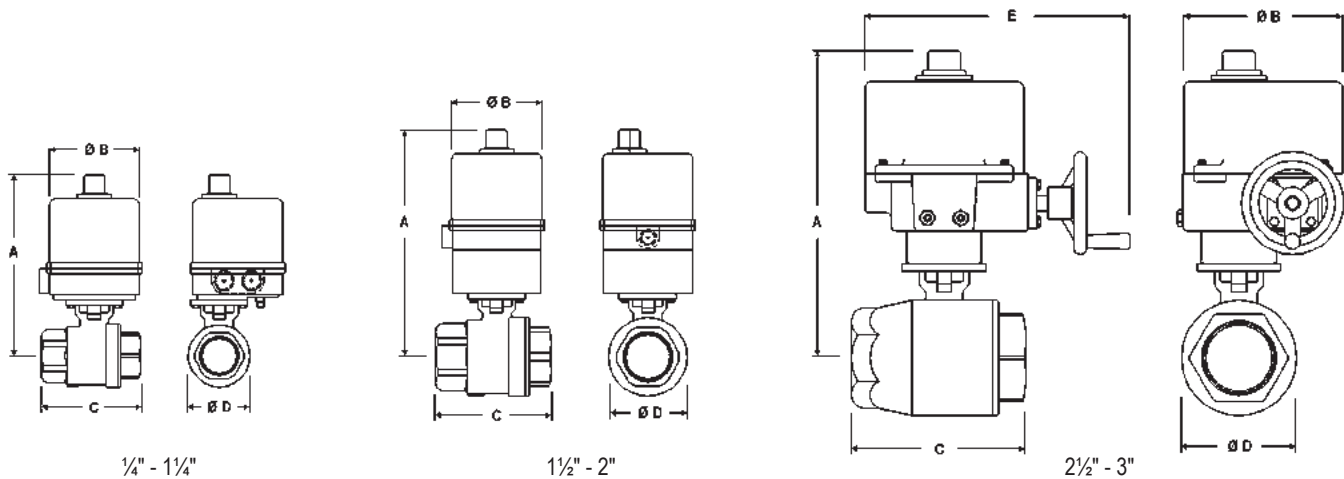
## Electrically Actuated 2-Piece Stainless Ball Valves

**Features:****2-Piece Stainless Ball Valve**

- RTFE seats and seals
- blow-out proof stem
- live-loaded stem packing
- ISO 5211 mounting pad
- pressure rating: ¼" - 2" **1000 PSI WOG**, ½" - 3" **800 PSI WOG**
- temperature range: **-40°F to 450°F**

**Electric Actuator**

- lightweight powder coated aluminum alloy housing
- NEMA 4/4X waterproof and dustproof
- extended duty cycle induction motor
- high alloy steel gear train
- H-insulation class
- visual position indication
- space heater is standard
- manual override standard: ½" - 1½"
- temperature range: **-41°F to 140°F**
- ISO 9001, CS, CE and CSA-C US Certified
- RoHS compliant



¼" - 1¼"

½" - 2"

2½" - 3"

*Dimensions are approximate.**Engineering dimensions are available upon request. Specifications are subject to change without notice.*

Size	Dimensions					Override	316 Stainless Steel Part #	Voltage				
	A	B	C	D	E			110VAC -EA	24VDC -EG	12VDC -ET	220VAC -EK	24VAC -ES
¼"	7.79	4.50	2.56	1.40	NA	standard	<b>BV2HG-02511</b>	<b>\$879.70</b>	<b>\$879.70</b>	<b>\$879.70</b>	<b>\$879.70</b>	<b>\$879.70</b>
⅜"	7.79	4.50	2.56	1.40	NA	standard	<b>BV2HG-03811</b>	<b>897.70</b>	<b>897.70</b>	<b>897.70</b>	<b>897.70</b>	<b>897.70</b>
½"	7.74	4.50	2.95	1.40	NA	standard	<b>BV2HG-05011</b>	<b>903.60</b>	<b>903.60</b>	<b>903.60</b>	<b>903.60</b>	<b>903.60</b>
¾"	7.84	4.50	3.15	1.75	NA	standard	<b>BV2HG-07511</b>	<b>904.15</b>	<b>904.15</b>	<b>904.15</b>	<b>904.15</b>	<b>904.15</b>
1"	8.09	4.50	3.54	1.75	NA	standard	<b>BV2HG-10011</b>	<b>954.20</b>	<b>954.20</b>	<b>954.20</b>	<b>954.20</b>	<b>954.20</b>
1¼"	8.29	4.50	4.33	2.58	NA	standard	<b>BV2HG-12511</b>	<b>998.85</b>	<b>998.85</b>	<b>998.85</b>	<b>998.85</b>	<b>998.85</b>
1½"	8.69	4.50	4.72	2.97	NA	N/A	<b>BV2HG-15011</b>	<b>1083.35</b>	<b>1083.35</b>	<b>1083.35</b>	<b>1083.35</b>	<b>1083.35</b>
2"	11.13	4.50	5.51	2.73	NA	N/A	<b>BV2HG-20011</b>	<b>1548.35</b>	<b>1548.35</b>	<b>1548.35</b>	<b>1548.35</b>	<b>1548.35</b>
2½"	13.72	7.08	7.28	4.68	12.83	handwheel	<b>BV2HG-25011-EP<sup>1</sup></b>	<b>2675.35</b>	---	---	---	---
2½"	10.69	6.06	7.28	4.68	NA	N/A	<b>BV2HG-25011</b>	<b>2675.35</b>	<b>2675.35</b>	<b>2675.35</b>	<b>2675.35</b>	<b>2675.35</b>
3"	13.72	7.08	8.07	5.44	12.83	handwheel	<b>BV2HG-30011</b>	<b>4384.25</b>	<b>4384.25</b>	<b>4384.25</b>	<b>4384.25</b>	<b>4384.25</b>

<sup>1</sup> for 110VAC 2½" with manual override use -EP

A wide variety of options are available: modulating, extra switches, transmitters, potentiometer, etc.  
Contact Dixon™ at 800.789.1718 or visit [dixonvalve.com](http://dixonvalve.com) for details.

**Caution !**

Even though there are torque safety factors built into our automated ball valve packages, actual service conditions must also be considered when selecting the proper product for the appropriate application.  
*For example:* Severe service conditions such as dirty water, dirty air, all slurries, raw sewage water, oils, and other viscous fluids can have a dramatic affect in raising the torque requirements of ball valves as much as 75% and therefore larger actuators may be required.  
Please consult Dixon™ when dealing with these types of applications.

## Pneumatically Actuated 2-Piece Stainless Ball Valves

### Features:

#### 2-Piece Stainless Ball Valve

- RTFE seats and seals
- blow-out proof stem
- live-loaded stem packing
- ISO 5211 mounting pad
- pressure rating: ¼" - 2" **1000 PSI WOG**, 2½" - 3" **800 PSI WOG**
- temperature range: ¼" to 2": **-40°F to 350°F**,  
2½" to 3": **-40°F to 325°F**

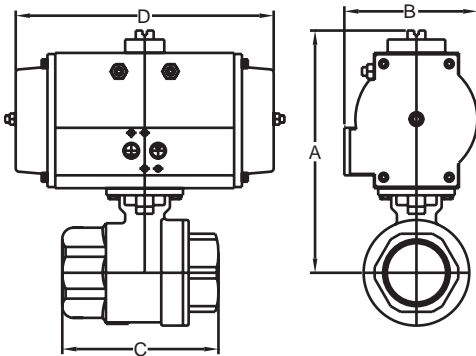
#### Rack and Pinion Actuator

- hard anodized aluminum body
- nickel plated anti-blowout pinion
- Buna-N O-rings
- NAMUR mounting
- bi-directional stops for  $\pm 5^\circ$  travel adjustment
- **80 PSI** plant air required
- visual position indication
- maximum operating pressure: **120 PSI**
- temperature range: **-40°F to 200°F**
- tested to one million cycles



### Spring Return (normally closed)

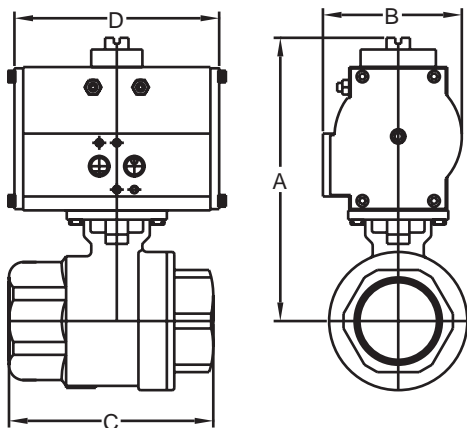
Dimensions are approximate. Engineering dimensions are available upon request. Specifications are subject to change without notice.



Size	Dimensions				316 Stainless Steel	
	A	B	C	D	Part #	Price/E
¼"	5.21	2.80	2.56	5.49	<b>BV2HG-02511-BBC</b>	<b>\$519.80</b>
⅜"	5.21	2.80	2.56	5.49	<b>BV2HG-03811-BBC</b>	<b>524.90</b>
½"	5.16	2.80	2.95	5.49	<b>BV2HG-05011-BBC</b>	<b>550.40</b>
¾"	5.26	2.80	3.15	5.49	<b>BV2HG-07511-BBC</b>	<b>555.25</b>
1"	6.64	3.74	3.54	8.09	<b>BV2HG-10011-BBC</b>	<b>602.20</b>
1¼"	6.84	3.74	4.33	8.09	<b>BV2HG-12511-BBC</b>	<b>646.90</b>
1½"	8.14	4.69	4.72	9.84	<b>BV2HG-15011-BBC</b>	<b>834.10</b>
2"	8.69	4.69	5.51	9.84	<b>BV2HG-20011-BBC</b>	<b>1112.85</b>
2½"	9.54	5.53	7.28	13.98	<b>BV2HG-25011-BBC</b>	<b>1519.95</b>
3"	11.39	7.29	8.07	16.61	<b>BV2HG-30011-BBC</b>	<b>3382.75</b>

### Double Acting

Dimensions are approximate. Engineering dimensions are available upon request. Specifications are subject to change without notice.



Size	Dimensions				316 Stainless Steel	
	A	B	C	D	Part #	Price/E
1/4"	4.25	1.77	2.56	4.33	<b>BV2HG-02511-BCC</b>	<b>\$372.45</b>
3/8"	4.25	1.77	2.56	4.33	<b>BV2HG-03811-BCC</b>	<b>355.70</b>
1/2"	4.20	1.77	2.95	4.33	<b>BV2HG-05011-BCC</b>	<b>361.25</b>
3/4"	4.30	1.77	3.15	4.33	<b>BV2HG-07511-BCC</b>	<b>398.95</b>
1"	5.89	3.20	3.54	5.68	<b>BV2HG-10011-BCC</b>	<b>503.90</b>
1¼"	6.09	3.20	4.33	5.68	<b>BV2HG-12511-BCC</b>	<b>548.55</b>
1½"	7.24	3.74	4.72	5.87	<b>BV2HG-15011-BCC</b>	<b>689.20</b>
2"	7.79	3.74	5.51	5.87	<b>BV2HG-20011-BCC</b>	<b>1110.55</b>
2½"	8.75	4.69	7.28	7.20	<b>BV2HG-25011-BCC</b>	<b>1387.70</b>
3"	10.01	5.53	8.07	10.22	<b>BV2HG-30011-BCC</b>	<b>2900.30</b>

A wide variety of switches, solenoids, positioners, etc., are available.  
Contact Dixon™ at 800.789.1718 or visit [dixonvalve.com](http://dixonvalve.com) for details.



#### Caution !

Even though there are torque safety factors built into our automated ball valve packages, actual service conditions must also be considered when selecting the proper product for the appropriate application.

For example: Severe service conditions such as dirty water, dirty air, all slurries, raw sewage water, oils, and other viscous fluids can have a dramatic affect in raising the torque requirements of ball valves as much as 75% and therefore larger actuators may be required. Please consult Dixon™ when dealing with these types of applications.



# Electrically Actuated 3-Piece Stainless Ball Valves



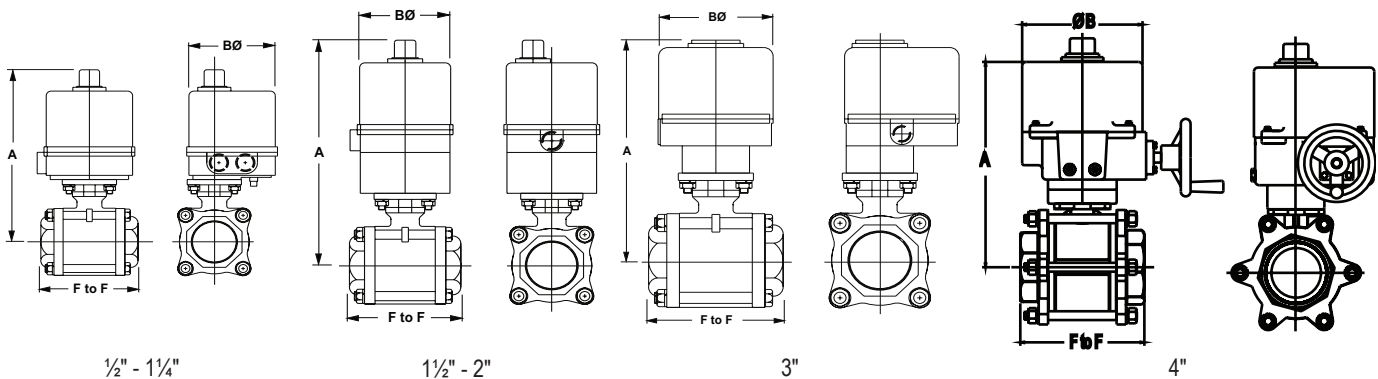
**Features:**

**3-Piece Stainless Ball Valve**

- 15% glass reinforced RTFE seats
- blow-out proof stainless steel stem
- live-loaded stem packing
- ISO 5211 mounting pad
- swing out in-line easy maintenance
- pressure rating: ½" - 2" **1000 PSI WOG**  
3" **800 PSI WOG**
- temperature range: ½" to 2": **-40°F to 350°F**,  
3" to 4": **-40°F to 325°F**

**Electric Actuator**

- lightweight powder coated aluminum alloy housing
- NEMA 4/4X waterproof and dustproof
- extended duty cycle induction motor
- high alloy steel gear train
- H-insulation class
- visual position indication
- space heater is standard
- manual override standard: ½" - 1½" sizes
- temperature range: **-41°F to 140°F**
- ISO 9001, CS, CE and CSA-C US Certified
- RoHS compliant



Dimensions are approximate.

Engineering dimensions are available upon request. Specifications are subject to change without notice.

Size	Dimensions			Override	316 Stainless Steel Part #	Voltage				
	F to F	A	B			110VAC -EA	24VDC -EG	12VDC -ET	220VAC -EK	24VAC -ES
½"	2.6	7.8	4.5	standard	<b>BV2IG-05011</b>	\$1063.05	\$919.45	\$919.45	\$919.45	\$1026.65
¾"	3.0	8.0	4.5	standard	<b>BV2IG-07511</b>	946.60	946.60	946.60	946.60	1224.65
1"	3.4	8.3	4.5	standard	<b>BV2IG-10011</b>	1174.50	987.65	987.65	987.65	1094.85
1¼"	4.0	8.5	4.5	standard	<b>BV2IG-12511</b>	1282.80	1045.45	1045.45	1045.45	1152.65
1½"	4.7	9.2	4.5	N/A	<b>BV2IG-15011</b>	1413.95	1124.30	1124.30	1124.30	1231.50
2"	5.2	11.4	4.5	N/A	<b>BV2IG-20011</b>	1544.55	1594.75	2043.65	1488.00	1488.00
3"	7.2	12.2	6.1	N/A	<b>BV2IG-30011</b>	2922.80	3851.50	3398.35	2880.30	3501.90
4"	8.9	16.1	7.1	N/A	<b>BV2IG-40011</b>	5160.00	5067.45	5144.80	5067.45	5067.45

A wide variety of options are available: modulating, extra switches, transmitters, potentiometer, etc. Contact Dixon™ at 800.789.1718 or visit Dixon™valve.com for details.

**Caution !**

Even though there are torque safety factors built into our automated ball valve packages, actual service conditions must also be considered when selecting the proper product for the appropriate application.

*For example:* Severe service conditions such as dirty water, dirty air, all slurries, raw sewage water, oils, and other viscous fluids can have a dramatic affect in raising the torque requirements of ball valves as much as 75% and therefore larger actuators may be required. Please consult Dixon™ when dealing with these types of applications.

## Pneumatically Actuated 3-Piece Stainless Ball Valves

### Features:

#### 3-Piece Stainless Ball Valve

- 15% glass reinforced RTFE seats
- blow-out proof stainless steel stem
- live-loaded stem packing
- ISO 5211 mounting pad
- swing out in-line easy maintenance
- pressure rating: ½" - 2" **1000 PSI WOG**  
3" **800 PSI WOG**
- temperature range: ½" to 2" **-40°F to 350°F**  
**3" to 4": -40°F to 325°F**

#### Rack and Pinion Actuator

- hard anodized aluminum body
- nickel plated anti-blowout pinion
- Buna-N O-rings
- NAMUR mounting
- bi-directional stops for  $\pm 5^\circ$  travel adjustment
- **80 PSI** plant air required
- visual position indication
- maximum operating pressure: **120 PSI**
- temperature range: **-40°F to 200°F**
- tested to one million cycles

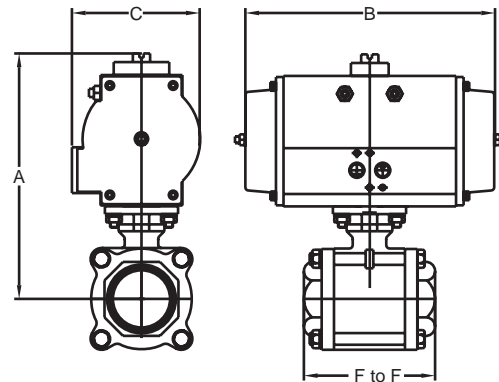


### Spring Return (normally closed)

Dimensions are approximate. Engineering dimensions are available upon request. Specifications are subject to change without notice.

Size	Dimensions				316 Stainless Steel	
	F to F	A	B	C	Part #	Price/E
½"	2.6	7.0	7.7	3.2	<b>BV2IG-05011-BBC<sup>1</sup></b>	<b>\$587.30</b>
¾"	3.0	7.2	7.7	3.2	<b>BV2IG-07511-BBC<sup>1</sup></b>	<b>592.60</b>
1"	3.4	6.1	7.7	3.2	<b>BV2IG-10011-BBC</b>	<b>628.50</b>
1¼"	4.0	6.3	7.7	3.2	<b>BV2IG-12511-BBC</b>	<b>686.35</b>
1½"	4.7	7.7	8.1	3.7	<b>BV2IG-15011-BBC</b>	<b>850.70</b>
2"	5.2	8.8	8.1	3.7	<b>BV2IG-20011-BBC</b>	<b>1156.75</b>
3"	7.2	10.2	9.8	4.7	<b>BV2IG-30011-BBC</b>	<b>2269.60</b>
4"	8.9	12.4	10.9	5.5	<b>BV2IG-40011-BBC</b>	<b>4259.25</b>

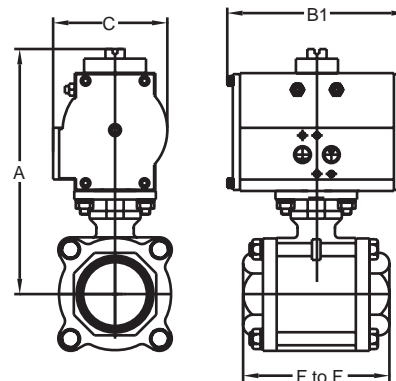
<sup>1</sup> bracket and coupler required for ½" and ¾" spring return actuator



### Double Acting

Dimensions are approximate. Engineering dimensions are available upon request. Specifications are subject to change without notice.

Size	Dimensions				316 Stainless Steel	
	F to F	A	B1	C	Part #	Price/E
½"	2.6	5.0	4.7	2.4	<b>BV2IG-05011-BCC</b>	<b>\$373.85</b>
¾"	3.0	5.2	4.7	2.4	<b>BV2IG-07511-BCC</b>	<b>401.00</b>
1"	3.4	6.1	5.7	3.2	<b>BV2IG-10011-BCC</b>	<b>529.65</b>
1¼"	4.0	6.3	5.7	3.2	<b>BV2IG-12511-BCC</b>	<b>587.45</b>
1½"	4.7	7.7	5.9	3.7	<b>BV2IG-15011-BCC</b>	<b>727.85</b>
2"	5.2	8.0	5.9	3.7	<b>BV2IG-20011-BCC</b>	<b>863.75</b>
3"	7.2	10.2	7.2	4.7	<b>BV2IG-30011-BCC</b>	<b>1838.85</b>
4"	8.9	13.8	16.3	7.2	<b>BV2IG-40011-BCC</b>	<b>3069.80</b>



A wide variety of switches, solenoids, positioners, etc., are available. Contact Dixon™ at 800.789.1718 or visit Dixon™valve.com for details.



#### Caution !

Even though there are torque safety factors built into our automated ball valve packages, actual service conditions must also be considered when selecting the proper product for the appropriate application.

For example: Severe service conditions such as dirty water, dirty air, all slurries, raw sewage water, oils, and other viscous fluids can have a dramatic affect in raising the torque requirements of ball valves as much as 75% and therefore larger actuators may be required. Please consult Dixon™ when dealing with these types of applications.



## Electrically Actuated Brass Ball Valves



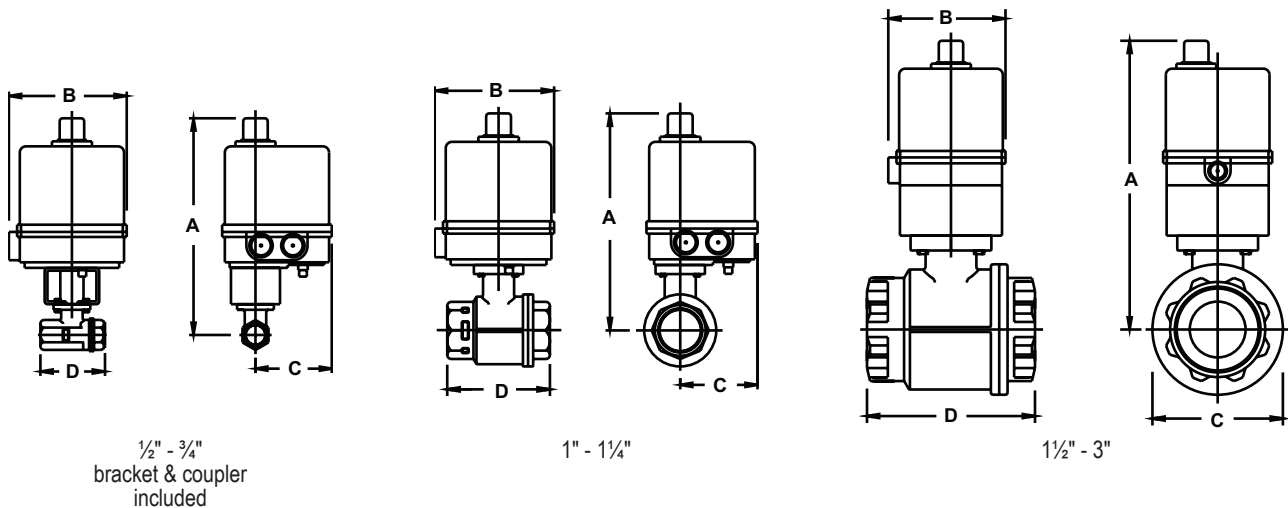
### Features:

#### 2-Piece Brass Ball Valve

- brass, body and ball
- FKM elastomers
- blow-out proof brass stem
- PTFE seats with double O-ring stem packing
- ISO 5211 mounting pad
- pressure rating: - **600 PSI WOG**  
- **150 PSI WSP**
- maximum temperature: **300°F**

#### Electric Actuator

- lightweight powder coated aluminum alloy housing
- NEMA 4/4X waterproof and dustproof
- extended duty cycle induction motor
- high alloy steel gear train
- H-insulation class
- visual position indication
- space heater is standard
- manual override standard: ½" - 1½" sizes
- temperature range: **-41°F to 140°F**
- ISO 9001, CS, CE and CSA-C US Certified
- RoHS compliant



½" - ¾"  
bracket & coupler  
included

1" - 1¼"

1½" - 3"

*Dimensions are approximate.*

*Engineering dimensions are available upon request. Specifications are subject to change without notice.*

Size	Dimensions				Override	Brass Part #	Voltage				
	A	B	C	D			110VAC -EA	24VDC -EG	12VDC -ET	220VAC -EK	24VAC -ES
½"	8.8	4.5	3.1	2.6	standard	<b>BV2BV-05011</b>	<b>\$865.80</b>	<b>\$865.80</b>	<b>\$865.80</b>	<b>\$865.80</b>	<b>\$973.05</b>
¾"	9.2	4.5	3.1	3.0	standard	<b>BV2BV-07511</b>	<b>877.40</b>	<b>877.35</b>	<b>877.35</b>	<b>877.35</b>	<b>984.60</b>
1"	9.4	4.5	3.1	3.4	standard	<b>BV2BV-10011</b>	<b>902.10</b>	<b>925.00</b>	<b>925.00</b>	<b>902.10</b>	<b>1206.85</b>
1¼"	9.5	4.5	3.1	3.7	standard	<b>BV2BV-12511</b>	<b>976.15</b>	<b>976.20</b>	<b>976.20</b>	<b>976.20</b>	<b>1083.40</b>
1½"	8.7	4.5	3.1	4.1	N/A	<b>BV2BV-15011</b>	<b>1322.85</b>	<b>1347.15</b>	<b>1022.40</b>	<b>1758.30</b>	<b>1452.40</b>
2"	9.0	4.5	3.1	4.8	N/A	<b>BV2BV-20011</b>	<b>1379.10</b>	<b>1452.70</b>	<b>1452.70</b>	<b>1860.10</b>	<b>1531.25</b>
3"	11.8	6.1	5.4	6.9	N/A	<b>BV2BV-30011</b>	<b>2508.35</b>	<b>3255.80</b>	<b>3556.70</b>	<b>2463.80</b>	<b>2771.75</b>

A wide variety of options are available: modulating, extra switches, transmitters, potentiometer, etc.  
Contact Dixon™ at 800.789.1718 or visit [dixonvalve.com](http://dixonvalve.com) for details.



### Caution !



Even though there are torque safety factors built into our automated ball valve packages, actual service conditions must also be considered when selecting the proper product for the appropriate application.

*For example:* Severe service conditions such as dirty water, dirty air, all slurries, raw sewage water, oils, and other viscous fluids can have a dramatic affect in raising the torque requirements of ball valves as much as 75% and therefore larger actuators may be required. Please consult Dixon™ when dealing with these types of applications.

## Pneumatically Actuated Brass Ball Valves

### Features:

#### 2-Piece Brass Ball Valve

- brass, body and ball
- FKM elastomers
- blow-out proof brass stem
- PTFE seats with double O-ring stem packing
- ISO 5211 mounting pad
- pressure rating: - **600 PSI WOG**  
- **150 PSI WSP**
- maximum temperature: **300°F**

#### Rack and Pinion Actuator

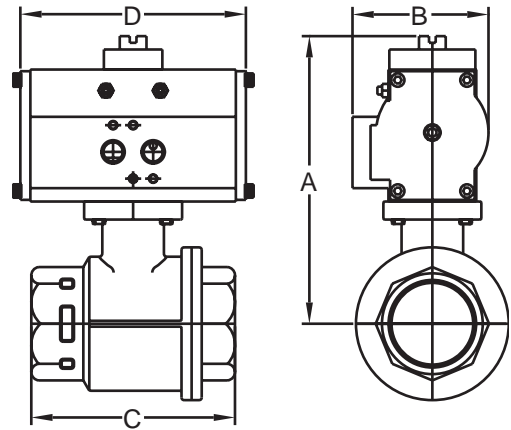
- hard anodized aluminum body
- nickel plated anti-blowout pinion
- Buna-N O-rings
- NAMUR mounting
- bi-directional stops for  $\pm 5^\circ$  travel adjustment
- **80 PSI** plant air required
- visual position indication
- maximum operating pressure: **120 PSI**
- temperature range: **-40°F to 200°F**
- tested to one million cycles



### Spring Return (normally closed)

All dimensions are given in inches, unless noted. Dimensions are approximate. Engineering dimensions are available upon request. Specifications are subject to change without notice.

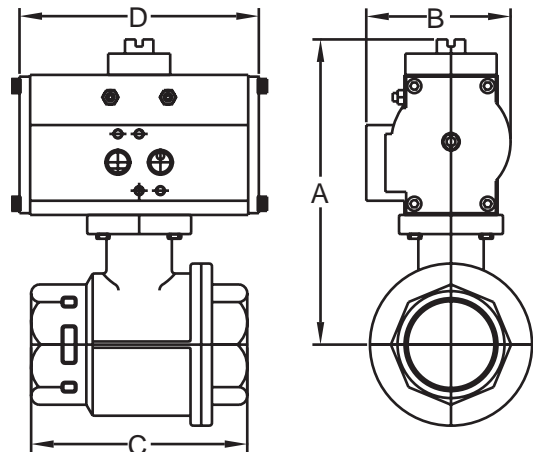
Size	Dimensions				Brass	
	A	B	C	D	Part #	Price/E
1/4"	4.80	2.80	2.64	5.49	<b>BV2BV-02511-BBC</b>	<b>\$524.15</b>
3/8"	4.80	2.80	2.64	5.49	<b>BV2BV-03811-BBC</b>	<b>510.70</b>
1/2"	4.80	2.80	2.64	5.49	<b>BV2BV-05011-BBC</b>	<b>533.65</b>
3/4"	4.88	2.80	3.00	5.49	<b>BV2BV-07511-BBC</b>	<b>518.25</b>
1"	5.31	2.80	3.35	5.49	<b>BV2BV-10011-BBC</b>	<b>543.00</b>
1 1/4"	5.45	2.80	3.66	5.49	<b>BV2BV-12511-BBC</b>	<b>695.30</b>
1 1/2"	6.04	2.80	4.13	5.49	<b>BV2BV-15011-BBC</b>	<b>741.50</b>
2"	6.40	2.80	4.80	5.49	<b>BV2BV-20011-BBC</b>	<b>991.30</b>
2 1/2"	8.13	3.74	6.10	8.09	<b>BV2BV-25011-BBC</b>	<b>1293.00</b>
3"	8.50	3.74	6.89	8.09	<b>BV2BV-30011-BBC</b>	<b>1855.20</b>
4"	10.14	4.69	8.03	9.84	<b>BV2BV-40011-BBC</b>	<b>2250.30</b>



### Double Acting

Dimensions are approximate. Engineering dimensions are available upon request. Specifications are subject to change without notice.

Size	Dimensions				Brass	
	A	B	C	D	Part #	Price/E
1/4"	3.84	1.77	2.64	4.33	<b>BV2BV-02511-BCC</b>	<b>\$375.80</b>
3/8"	3.84	1.77	2.64	4.33	<b>BV2BV-03811-BCC</b>	<b>362.35</b>
1/2"	3.84	1.77	2.64	4.33	<b>BV2BV-05011-BCC</b>	<b>320.20</b>
3/4"	3.92	1.77	3.00	4.33	<b>BV2BV-07511-BCC</b>	<b>419.35</b>
1"	4.35	1.77	3.35	4.33	<b>BV2BV-10011-BCC</b>	<b>444.10</b>
1 1/4"	4.49	1.77	3.66	4.33	<b>BV2BV-12511-BCC</b>	<b>572.50</b>
1 1/2"	6.42	3.20	4.13	5.68	<b>BV2BV-15011-BCC</b>	<b>618.70</b>
2"	6.78	3.20	4.80	5.68	<b>BV2BV-20011-BCC</b>	<b>698.30</b>
2 1/2"	8.13	3.74	6.10	5.87	<b>BV2BV-25011-BCC</b>	<b>1150.10</b>
3"	8.50	3.74	6.89	5.87	<b>BV2BV-30011-BCC</b>	<b>1424.45</b>
4"	10.14	4.69	8.03	7.20	<b>BV2BV-40011-BCC</b>	<b>1819.55</b>



A wide variety of switches, solenoids, positioners, etc., are available. Contact Dixon™ at 800.789.1718 or visit [dixonvalve.com](http://dixonvalve.com) for details.



#### Caution !

Even though there are torque safety factors built into our automated ball valve packages, actual service conditions must also be considered when selecting the proper product for the appropriate application.

For example: Severe service conditions such as dirty water, dirty air, all slurries, raw sewage water, oils, and other viscous fluids can have a dramatic affect in raising the torque requirements of ball valves as much as 75% and therefore larger actuators may be required. Please consult Dixon™ when dealing with these types of applications.



# Electrically Actuated 3-Way Stainless Ball Valves - 'T / L' Port

**Features:**

**3-Way Stainless Ball Valve**

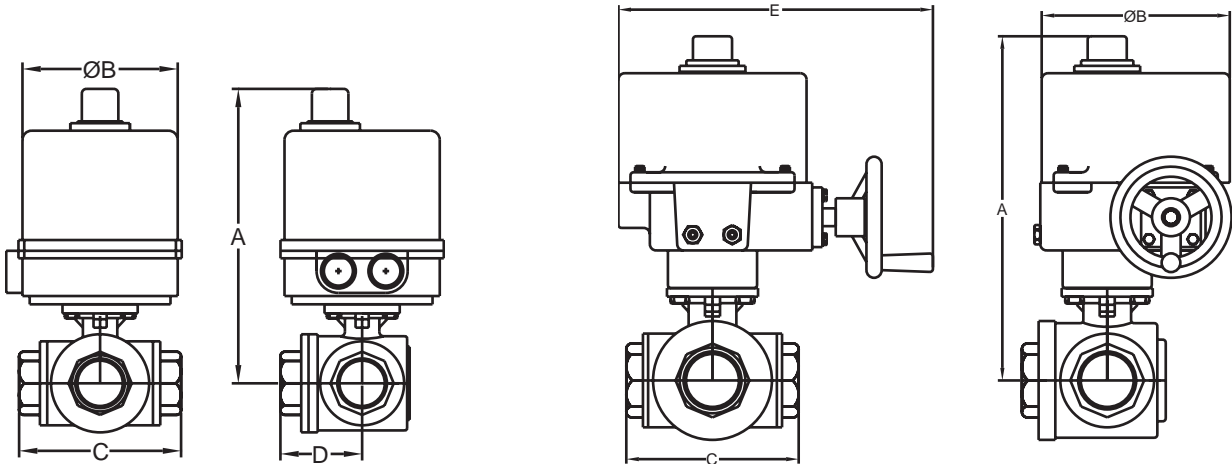
- full port
- female NPT ends
- blow-out proof stem
- live-loaded stem packing
- ISO 5211 mounting pad
- 100% air tested under water at **80 PSI**
- working pressure: ¼" to 1": **1000 PSI**;  
1¼" to 2": **800 PSI**
- maximum temperature: **300°F**

**Electric Actuator**

- lightweight powder coated aluminum alloy housing
- NEMA 4/4X waterproof and dustproof
- extended duty cycle induction motor
- high alloy steel gear train
- H-insulation class
- visual position indication
- space heater is standard
- manual override standard: ½" - 1½" sizes
- temperature range: **-41°F to 140°F**
- ISO 9001, CS, CE and CSA-C US Certified
- RoHS compliant



- see page 706 for flow path options
- A flow path needs to be selected at time of order. If no flow path is selected, the option number labeled as default will be shipped.
- Customer verification is critical. If flow path needs to be changed after being shipped, labor and shipping charges will apply.
- for spring return actuators must note fail position



Dimensions are approximate. Engineering dimensions are available upon request.  
Specifications are subject to change without notice.

\* T = t style  
\* L = l style

Size	Dimensions					Override	316 Stainless Steel Part #	Voltage				
	A	B	C	D	E			110VAC -EA	24VDC -EG	12VDC -ET	220VAC -EK	24VAC -ES
¼"	9.01	6.06	2.83	1.41	N/A	standard	<b>BV3IG*F-0251</b>	\$1184.10	\$1184.10	\$1184.10	\$1184.10	\$1291.30
⅜"	9.01	6.06	2.83	1.41	N/A	standard	<b>BV3IG*F-0381</b>	1184.10	1184.10	1184.10	1184.10	1291.30
½"	9.21	6.06	3.26	1.63	N/A	standard	<b>BV3IG*F-0501</b>	1184.10	1184.10	1184.10	1184.10	1291.30
¾"	9.21	6.06	3.89	1.94	N/A	standard	<b>BV3IG*F-0751</b>	1313.05	1313.05	1313.05	1313.05	1420.25
1"	9.74	6.06	4.40	2.20	N/A	standard	<b>BV3IG*F-1001</b>	1456.30	1456.30	1456.30	1456.30	1563.50
1¼"	10.04	6.06	4.92	2.46	N/A	standard	<b>BV3IG*F-1251</b>	1715.40	1715.40	1715.40	1715.40	1822.60
1½"	12.92	7.87	5.86	2.93	12.99	handwheel	<b>BV3IG*F-1501</b>	2817.10	2817.10	2817.10	2817.10	3080.60
2"	13.67	7.87	6.85	3.42	12.99	handwheel	<b>BV3IG*F-2001</b>	3664.70	3664.70	3664.70	3664.70	4392.20

A wide variety of options are available: modulating, extra switches, transmitters, potentiometer, etc.  
Contact Dixon™ at 800.789.1718 or visit [dixonvalve.com](http://dixonvalve.com) for details.

**Caution !**

Even though there are torque safety factors built into our automated ball valve packages, actual service conditions must also be considered when selecting the proper product for the appropriate application.

For example: Severe service conditions such as dirty water, dirty air, all slurries, raw sewage water, oils, and other viscous fluids can have a dramatic affect in raising the torque requirements of ball valves as much as 75% and therefore larger actuators may be required. Please consult Dixon™ when dealing with these types of applications.

# Pneumatically Actuated 3-Way Stainless Ball Valves - 'T / L' Port

- see page 706 for flow path options
- A flow path needs to be selected at time of order. If no flow path is selected, the option number labeled as default will be shipped.
- Customer verification is critical. If flow path needs to be changed after being shipped, labor and shipping charges will apply.
- for spring return actuators must note fail position



**Features:**

**3-Way Stainless Ball Valve**

- full port
- female NPT ends
- blow-out proof stem
- live-loaded stem packing
- ISO 5211 mounting pad
- 100% air tested under water at **80 PSI**
- working pressure: ¼" to 1": **1000 PSI**; 1¼" to 2": **800 PSI**
- maximum temperature: **300°F**

**Rack and Pinion Actuator**

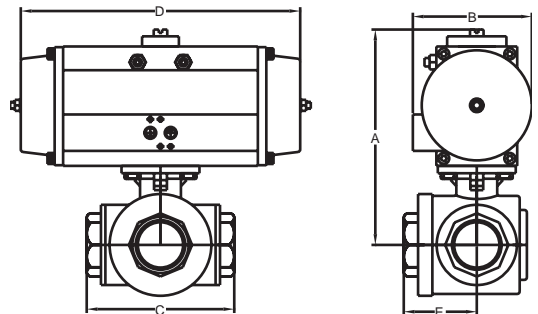
- hard anodized aluminum body
- nickel plated anti-blowout pinion
- Buna-N O-rings
- NAMUR mounting
- bi-directional stops for ±5° travel adjustment
- **80 PSI** plant air required
- visual position indication
- maximum operating pressure: **120 PSI**
- temperature range: **-40°F to 200°F**
- tested to one million cycles

## Spring Return (normally closed)

All dimensions are given in inches, unless noted. Dimensions are approximate. Engineering dimensions are available upon request. Specifications are subject to change without notice.

- \* T = t-style
- \* L = l-style

Size	Dimensions					316 Stainless Steel	
	A	B	C	D	E	Part #	Price/E
¼"	5.35	3.20	2.83	7.10	1.41	<b>BV3IG*F-0251BBC</b>	<b>\$852.00</b>
⅜"	5.35	3.20	2.83	7.10	1.41	<b>BV3IG*F-0381BBC</b>	<b>852.00</b>
½"	5.55	3.20	3.26	7.10	1.63	<b>BV3IG*F-0501BBC</b>	<b>852.00</b>
¾"	6.30	3.74	3.89	7.45	1.94	<b>BV3IG*F-0751BBC</b>	<b>1039.40</b>
1"	6.83	3.74	4.40	7.45	2.20	<b>BV3IG*F-1001BBC</b>	<b>1182.65</b>
1¼"	7.13	3.74	4.92	7.45	2.46	<b>BV3IG*F-1251BBC</b>	<b>1612.00</b>
1½"	8.43	4.69	5.86	9.10	2.93	<b>BV3IG*F-1501BBC</b>	<b>1918.55</b>
2"	9.97	5.53	6.85	12.99	3.42	<b>BV3IG*F-2001BBC</b>	<b>3011.55</b>

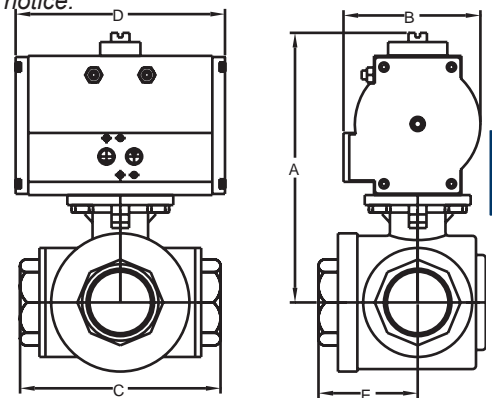


## Double Acting

Dimensions are approximate. Engineering dimensions are available upon request. Specifications are subject to change without notice.

- \* T = t-style
- \* L = l-style

Size	Dimensions					316 Stainless Steel	
	A	B	C	D	E	Part #	Price/E
⅜"	5.35	3.20	2.83	7.10	1.41	<b>BV3IG*F-0381BCC</b>	<b>\$753.10</b>
½"	5.55	3.20	3.26	7.10	1.63	<b>BV3IG*F-0501BCC</b>	<b>753.10</b>
¾"	6.30	3.74	3.89	7.45	1.94	<b>BV3IG*F-0751BCC</b>	<b>855.00</b>
1"	6.83	3.74	4.40	7.45	2.20	<b>BV3IG*F-1001BCC</b>	<b>1059.85</b>
1¼"	7.13	3.74	4.92	7.45	2.46	<b>BV3IG*F-1251BCC</b>	<b>1479.00</b>
1½"	8.43	4.69	5.86	9.10	2.93	<b>BV3IG*F-1501BCC</b>	<b>1785.60</b>
2"	9.97	5.53	6.85	12.99	3.42	<b>BV3IG*F-2001BCC</b>	<b>2580.75</b>



A wide variety of switches, solenoids, positioners, etc., are available. Contact Dixon™ at 800.789.1718 or visit [dixonvalve.com](http://dixonvalve.com) for details.



**Caution !**

Even though there are torque safety factors built into our automated ball valve packages, actual service conditions must also be considered when selecting the proper product for the appropriate application.

For example: Severe service conditions such as dirty water, dirty air, all slurries, raw sewage water, oils, and other viscous fluids can have a dramatic affect in raising the torque requirements of ball valves as much as 75% and therefore larger actuators may be required. Please consult Dixon™ when dealing with these types of applications.





# Electrically Actuated 3-Way Brass Ball Valves - 'T / L' Port

**Features:**

**3-Way Brass Ball Valve**

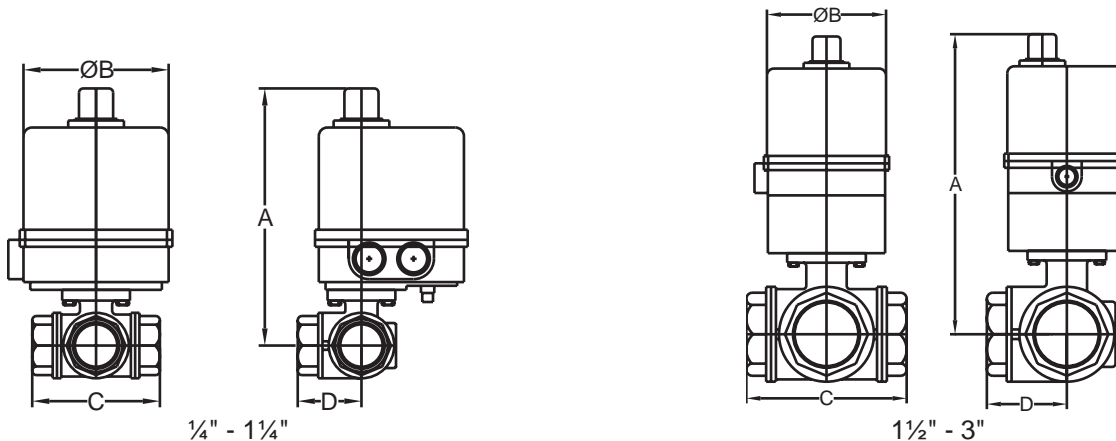
- reduced port
- blow-out proof stem
- brass body and chrome-plated brass ball
- PTFE seats with O-ring backing for low operating torque
- PTFE seats and double O-ring stem packing
- ISO 5211 mounting pad
- 100% tested
- pressure rating: **400 PSI WOG, 100 PSI WSP**
- maximum temperature: **300°F**

**Electric Actuator**

- lightweight powder coated aluminum alloy housing
- NEMA 4/4X waterproof and dustproof
- extended duty cycle induction motor
- high alloy steel gear train
- H-insulation class
- visual position indication
- space heater is standard
- manual override standard: 1/2" - 1 1/2" sizes
- temperature range: **-41°F to 140°F**
- ISO 9001, CS, CE and CSA-C US Certified
- RoHS compliant



- see page 706 for flow path options
- A flow path needs to be selected at time of order. If no flow path is selected, the option number labeled as default will be shipped.
- Customer verification is critical. If flow path needs to be changed after being shipped, labor and shipping charges will apply.
- for spring return actuators must note fail position



Dimensions are approximate. Engineering dimensions are available upon request.  
Specifications are subject to change without notice.

\* T = t-style  
\* L = l-style

Size	Dimensions				Override	Brass Part #	Voltage				
	A	B	C	D			110VAC -EA	24VDC -EG	12VDC -ET	220VAC -EK	24VAC -ES
1/4"	8.76	6.06	2.64	1.32	standard	<b>BV3BV*R-0251</b>	\$955.60	\$955.60	\$955.60	\$955.60	\$955.60
3/8"	8.76	6.06	2.64	1.32	standard	<b>BV3BV*R-0381</b>	955.60	955.60	955.60	955.60	955.60
1/2"	8.76	6.06	2.87	1.44	standard	<b>BV3BV*R-0501</b>	955.60	955.60	955.60	955.60	955.60
3/4"	8.85	6.06	3.19	1.60	standard	<b>BV3BV*R-0751</b>	979.15	979.15	979.15	979.15	979.15
1"	9.19	6.06	3.74	1.87	standard	<b>BV3BV*R-1001</b>	1012.70	1012.70	1012.70	1012.70	1012.70
1 1/4"	9.41	6.06	4.39	2.20	standard	<b>BV3BV*R-1251</b>	1117.25	1117.25	1117.25	1117.25	1117.25
1 1/2"	9.90	6.06	4.86	2.43	N/A	<b>BV3BV*R-1501</b>	1381.05	1381.05	1381.05	1381.05	1381.05
2"	10.89	4.25	5.73	2.87	N/A	<b>BV3BV*R-2001</b>	1988.95	1988.95	1988.95	1988.95	1988.95
2 1/2"	11.34	4.25	6.93	3.47	N/A	<b>BV3BV*R-2501</b>	2911.35	2911.35	2911.35	2911.35	2911.35
3"	11.34	4.25	7.08	3.54	N/A	<b>BV3BV*R-3001</b>	2780.25	2780.25	2780.25	2780.25	2780.25

A wide variety of options are available: modulating, extra switches, transmitters, potentiometer, etc.  
Contact Dixon™ at 800.789.1718 or visit [dixonvalve.com](http://dixonvalve.com) for details.

**Caution !**

Even though there are torque safety factors built into our automated ball valve packages, actual service conditions must also be considered when selecting the proper product for the appropriate application.

For example: Severe service conditions such as dirty water, dirty air, all slurries, raw sewage water, oils, and other viscous fluids can have a dramatic affect in raising the torque requirements of ball valves as much as 75% and therefore larger actuators may be required. Please consult Dixon™ when dealing with these types of applications.

# Pneumatically Actuated 3-Way Brass Ball Valves - 'T / L' Port

- see page 706 for flow path options
- A flow path needs to be selected at time of order. If no flow path is selected, the option number labeled as default will be shipped.
- Customer verification is critical. If flow path needs to be changed after being shipped, labor and shipping charges will apply.
- for spring return actuators must note fail position



**Features:**

**3-Way Brass Ball Valve**

- reduced port
- blow-out proof stem
- brass body and chrome-plated brass ball
- PTFE seats with O-ring backing for low operating torque
- PTFE seats and double O-ring stem packing
- ISO 5211 mounting pad
- 100% tested
- pressure rating: **400 PSI WOG 100 PSI WSP**
- maximum temperature: **300°F**

**Rack and Pinion Actuator**

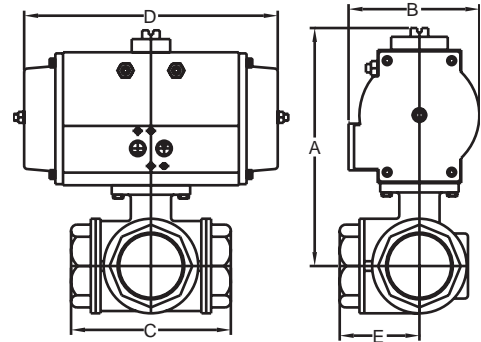
- hard anodized aluminum body
- nickel plated anti-blowout pinion
- Buna-N O-rings
- NAMUR mounting
- bi-directional stops for  $\pm 5^\circ$  travel adjustment
- 80 PSI plant air required
- visual position indication
- maximum operating pressure: **120 PSI**
- temperature range: **-40°F to 200°F**
- tested to one million cycles

## Spring Return (normally closed)

All dimensions are given in inches, unless noted. Dimensions are approximate. Engineering dimensions are available upon request. Specifications are subject to change without notice.

\* T = t-style  
\* L = l-style

Size	Dimensions					Brass	
	A	B	C	D	E	Part #	Price/E
1/4"	4.72	2.80	2.64	5.49	1.32	<b>BV3BV*R-0251BBC</b>	<b>\$626.30</b>
3/8"	4.72	2.80	2.64	5.49	1.32	<b>BV3BV*R-0381BBC</b>	<b>626.30</b>
1/2"	4.72	2.80	2.87	5.49	1.44	<b>BV3BV*R-0501BBC</b>	<b>626.30</b>
3/4"	4.81	2.80	3.19	5.49	1.60	<b>BV3BV*R-0751BBC</b>	<b>663.15</b>
1"	6.28	3.74	3.74	7.45	1.87	<b>BV3BV*R-1001BBC</b>	<b>774.35</b>
1 1/4"	6.50	3.74	4.39	7.45	2.20	<b>BV3BV*R-1251BBC</b>	<b>900.85</b>
1 1/2"	6.99	3.74	4.86	7.45	2.43	<b>BV3BV*R-1501BBC</b>	<b>1189.35</b>
2"	8.45	4.69	5.73	9.10	2.87	<b>BV3BV*R-2001BBC</b>	<b>1669.00</b>
2 1/2"	8.90	4.69	6.93	9.10	3.47	<b>BV3BV*R-2501BBC</b>	<b>2574.20</b>
3"	8.90	4.69	7.08	9.10	3.54	<b>BV3BV*R-3001BBC</b>	<b>2511.55</b>

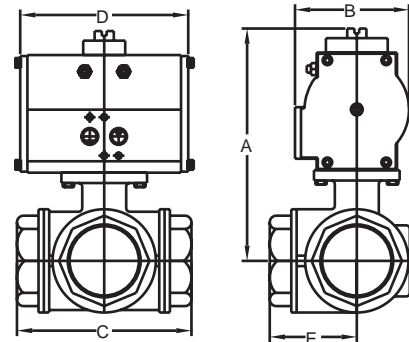


## Double Acting

Dimensions are approximate. Engineering dimensions are available upon request. Specifications are subject to change without notice.

\* T = t-style  
\* L = l-style

Size	Dimensions					Brass	
	A	B	C	D	E	Part #	Price/E
1/4"	3.76	1.77	2.64	4.33	1.32	<b>BV3BV*R-0251BCC</b>	<b>\$479.20</b>
3/8"	3.76	1.77	2.64	4.33	1.32	<b>BV3BV*R-0381BCC</b>	<b>479.20</b>
1/2"	3.76	1.77	2.87	4.33	1.44	<b>BV3BV*R-0501BCC</b>	<b>489.00</b>
3/4"	3.85	1.77	3.19	4.33	1.60	<b>BV3BV*R-0751BCC</b>	<b>528.50</b>
1"	5.53	3.20	3.74	5.32	1.87	<b>BV3BV*R-1001BCC</b>	<b>637.05</b>
1 1/4"	5.75	3.20	4.39	5.32	2.20	<b>BV3BV*R-1251BCC</b>	<b>768.85</b>
1 1/2"	6.24	3.20	4.86	5.32	2.43	<b>BV3BV*R-1501BCC</b>	<b>1016.15</b>
2"	7.55	3.74	5.73	5.51	2.87	<b>BV3BV*R-2001BCC</b>	<b>1434.15</b>
2 1/2"	8.00	3.74	6.93	5.51	3.47	<b>BV3BV*R-2501BCC</b>	<b>2295.90</b>
3"	8.00	3.74	7.08	5.51	3.54	<b>BV3BV*R-3001BCC</b>	<b>2241.95</b>



A wide variety of switches, solenoids, positioners, etc., are available. Contact Dixon™ at 800.789.1718 or visit [dixonvalve.com](http://dixonvalve.com) for details.



**Caution !**

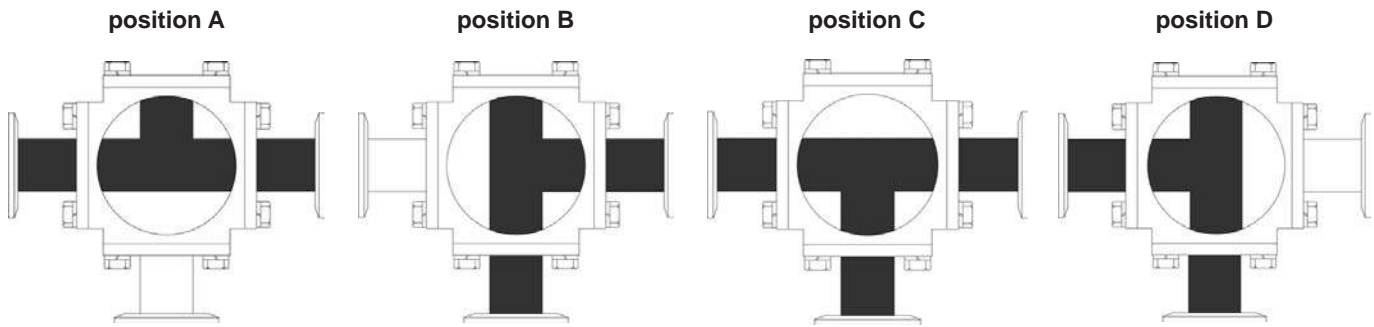


Even though there are torque safety factors built into our automated ball valve packages, actual service conditions must also be considered when selecting the proper product for the appropriate application.  
 For example: Severe service conditions such as dirty water, dirty air, all slurries, raw sewage water, oils, and other viscous fluids can have a dramatic affect in raising the torque requirements of ball valves as much as 75% and therefore larger actuators may be required. Please consult Dixon™ when dealing with these types of applications.

## 3-Way Ball Valve Flow Options

### 'T' Pattern, Side Entry

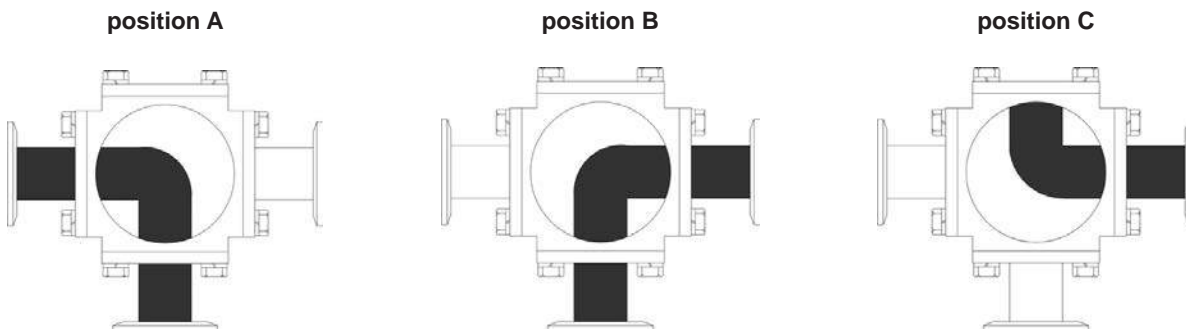
Top view



Number	Rotation	Flow Plan Options
1	90°	A, B
2	90°	B, C
3	90°	C, D
4 (Default)	90°	A, D

### 'L' Pattern, Side Entry

Top view



Number	Rotation	Flow Plan Options
1 (Default)	90°	A, B
2	180°	A, B, C

Q

- A flow path needs to be selected at time of order. If no flow path is selected, the option number labeled as default will be shipped.
- Customer verification is critical. If flow path needs to be changed after being shipped, labor and shipping charges will apply.
- For spring return actuators; must not fail position.
- Please call Dixon™ at 800.789.1718 for further information.

## Actuation

All Dixon™ actuators, accessories and mounting hardware can be sold separately, call Dixon™ at 800.789.1718 for details.

- Dixon™ can actuate all of our butterfly and ball valves with actuators.
- Dixon™ ships all actuated valves from the Valve Automation department in Wisconsin.
- Our actuators are tested to one million cycles and are backed with a one year manufacturer's warranty.
- Our professionally trained specialists assemble and test each automation package to guarantee performance in the field.
- Documentation is filed on each automated valve package in case it is needed at any point in the future.
- Each unit is individually foam packed to ensure they arrive in top condition.
- Most standard orders can be shipped within 24 hours.



Rack and pinion Actuators

- 90° and 180° rotation
- spring return and double acting
- bi-directional travel stops
- available in stainless steel, aluminum and technopolymer materials

Pneumatic Stainless Steel Canister Actuators

- vertical with or without control top
- vertical - spring return and double acting
- horizontal - double acting



Electric Actuators

- variety of voltages
- manual overrides
- feedback and modulation available

## Actuated Valve Accessories

### Limit Switches

**Features:**

- visual position indicator
- 3D open/close indication
- quick-set cam
- mechanical SPDT switches (standard)
- multipoint terminal strip
- various switch options available
- cable entry: (2) 1/2" NPT

**Enclosures available:****NEMA 4 4/X**

- water and dust tight for indoor or outdoor use
- corrosion resistant

**NEMA 7**

- water and dust tight for indoor or outdoor use
- corrosion resistant
- for use in indoor hazardous locations
- explosion proof

Enclosure	Part #	Price/E
NEMA 4/4X	<b>XLS-B4A0120P</b>	<b>\$295.75</b>
NEMA 7	<b>XLS-C7A0120P</b>	<b>616.40</b>

### Solenoids

**Features:**

- pressure range: 30 PSI to 150 PSI
- duty cycle: 100% extended duty
- voltages available:
  - 12VDC, 24VDC, 24VAC, 48VAC, 110VAC, 220VAC
- electroless nickel plated spool
- easy-to-use manual override
- port sizes: inlet and exhaust 1/4" NPT
- NEMA 4 4/X Enclosure
  - water and dust tight for indoor or outdoor use
  - corrosion resistant

Description	Voltage	Part #	Price/E
single coil	115VAC	<b>XSO-4S4D-0A</b>	<b>\$191.05</b>
single coil	24VDC	<b>XSO-4S4B-0A</b>	<b>191.05</b>
dual coil	115VAC	<b>XSO-4D4D-0A</b>	<b>306.10</b>
dual coil	24VDC	<b>XSO-4D4B-0A</b>	<b>306.10</b>

### Positioners

**Features:**

- air capacity:
  - at 29 PSI (200kPa): 9.5 SCFM
  - at 87 PSI (600kPa): 28.3 SCFM
  - at 145 PSI (1MPa): 47.1 SCFM
- air connections: 1/4" NPT
- gauges: 1/8" NPT
- cable entry: 1/2" NPT
- Electro-Pneumatic
  - input range: 4-20mA (Ri<250ohms)
  - supply pressure: 21.8 to 145 PSI (0.15 to 1MPa)
  - linearity error: <1.0% f.s
  - hysteresis: <0.6% f.s
  - repeatability: <0.5% f.s

**Pneumatic**

- input range: 3 to 15 PSI (20-100kPa)
- supply pressure: < 145 PSI (<1MPa)
- linearity error: <0.7% f.s
- hysteresis: <0.4% f.s
- repeatability: <0.3% f.s

Positioner Type	Part #	Price/E
Electro-Pneumatic	<b>XPO-E4F</b>	<b>\$2343.40</b>
Pneumatic	<b>XPO-P4F</b>	<b>1094.00</b>

### Speed Control Mufflers

**Features:**

- maximum operating pressure: **300 PSI**
- temperature range: **35°F to 300°F**



aluminum



brass

NPT Thread	Approximate Full Oper. Height	Maximum Adjusted SCFM	2011T3 Aluminum <sup>1</sup>		Brass	
			Part #	Price/E	Part #	Price/E
1/8"	1-5/16"	20	<b>ASCM18</b>	<b>\$8.00</b>	<b>SCM18</b>	<b>\$6.55</b>
1/4"	1-9/16"	30	---	---	<b>SCM28</b>	<b>7.55</b>
3/8"	1-5/8"	40	---	---	<b>SCM38</b>	<b>10.90</b>
1/2"	2"	60	<b>ASCM48</b>	<b>17.20</b>	<b>SCM48</b>	<b>16.90</b>
3/4"	2-3/8"	70	<b>ASCM68</b>	<b>34.50</b>	<b>SCM68</b>	<b>22.50</b>
1"	2-1/2"	100	---	---	<b>SCM88</b>	<b>41.00</b>

<sup>1</sup> stock quantity only

# Pneumatically Actuated Wafer **Butterfly Valves**

## Valves

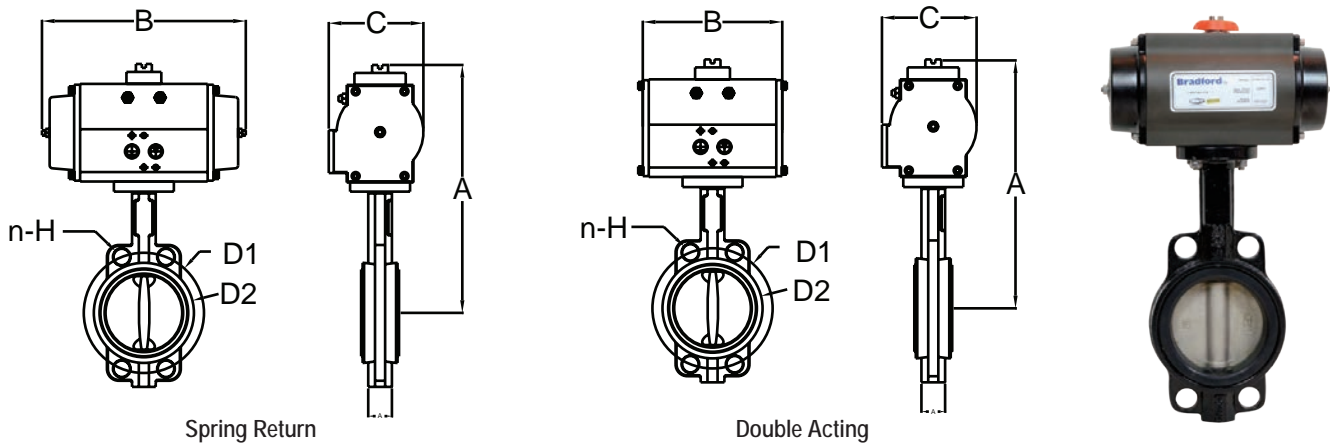
### Features:

- installs between standard ANSI Class 150# flanges
- cast iron body with extended neck
- nickel plated ductile iron disc
- seat backing ring ensures blowout proof service
- conforms to MSS-SP-67, MSS-SP-25, API-609
- no taper pins
- field repairable (seat kits available)
- replaceable EPDM seat
- maximum operating pressure: **200 PSI** (bi-directional)
- temperature range: **-20°F to 250°F**
- a wide variety of seat, disc and body materials are available

## Rack and Pinion Actuator

### Features:

- bi-directional stops for  $\pm 5^\circ$  travel adjustment
- **80 PSI** plant air required
- maximum operating pressure: **120 PSI**
- temperature range: **-40°F to +200°F**
- hard anodized aluminum body
- Namur mounting
- nickel plated anti-blowout pinion
- Buna-N O-rings
- visual position indication
- tested to 1 million cycles



All dimensions are given in inches, unless noted. Dimensions are approximate. Engineering dimensions are available upon request. Specifications are subject to change without notice.

## Wafer Spring Return

Size	A	B	C	D1	D2	n-H	Part #	Price/E
1½"	9.61	8.09	3.74	3.88	3.74	4-18	<b>B5121E150WW-BBC</b>	<b>\$710.60</b>
2"	9.80	8.09	3.74	4.75	3.82	4-18	<b>B5121E200WW-BBC</b>	<b>713.10</b>
2½"	11.65	9.84	4.69	5.50	4.45	4-18	<b>B5121E250WW-BBC</b>	<b>930.50</b>
3"	11.89	9.84	4.69	6.00	4.92	4-18	<b>B5121E300WW-BBC</b>	<b>951.55</b>
4"	12.63	9.84	4.69	7.50	6.14	4-22	<b>B5121E400WW-BBC</b>	<b>1010.95</b>
5"	13.94	13.98	5.53	8.50	7.36	4-22	<b>B5121E500WW-BBC</b>	<b>1385.95</b>
6"	14.45	13.98	5.53	9.50	8.46	4-22	<b>B5121E600WW-BBC</b>	<b>1443.65</b>
8"	17.17	16.60	7.29	11.75	10.51	4-22	<b>B5121E800WW-BBC</b>	<b>2715.30</b>
10"	19.21	19.17	8.06	14.25	13.00	4-26	<b>B5121E1000WWBCC</b>	<b>3474.75</b>
12"	22.87	25.28	9.37	17.00	14.96	4-26	<b>B5121E1200WWBCC</b>	<b>8606.90</b>

## Wafer Double Acting

Size	A	B	C	D1	D2	n-H	Part #	Price/E
1½"	9.61	5.87	3.74	3.88	3.74	4-18	<b>B5121E150WW-BCC</b>	<b>\$581.85</b>
2"	9.80	5.87	3.74	4.75	3.82	4-18	<b>B5121E200WW-BCC</b>	<b>584.30</b>
2½"	10.75	5.87	3.74	5.50	4.45	4-18	<b>B5121E250WW-BCC</b>	<b>602.75</b>
3"	10.99	5.87	3.74	6.00	4.92	4-18	<b>B5121E300WW-BCC</b>	<b>623.80</b>
4"	11.73	5.87	3.74	7.50	6.14	4-22	<b>B5121E400WW-BCC</b>	<b>711.40</b>
5"	13.15	7.20	4.69	8.50	7.36	4-22	<b>B5121E500WW-BCC</b>	<b>944.70</b>
6"	13.66	7.20	4.69	9.50	8.46	4-22	<b>B5121E600WW-BCC</b>	<b>1002.35</b>
8"	15.79	10.22	5.53	11.75	10.51	4-22	<b>B5121E800WW-BCC</b>	<b>1512.60</b>
10"	17.05	10.22	5.53	14.25	13.00	4-26	<b>B5121E1000WWBCC</b>	<b>1563.00</b>
12"	20.20	11.98	7.29	17.00	14.96	4-26	<b>B5121E1200WWBCC</b>	<b>2657.05</b>

## Pneumatically Actuated Lug Butterfly Valves

### Valves

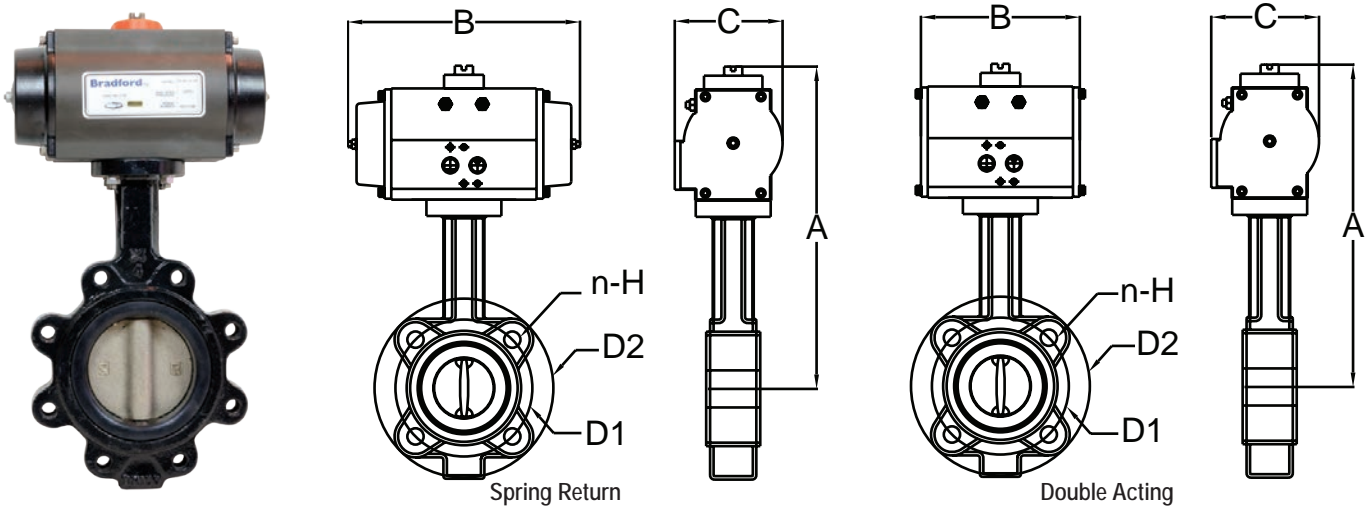
#### Features:

- cast iron body with extended neck
- nickel plated ductile iron disc
- seat backing ring ensures blowout proof service
- installs between standard ANSI Class 150# flanges
- conforms to MSS-SP-67, MSS-SP-25, API-609
- no taper pins
- field repairable (seat kits available)
- replaceable EPDM seat
- maximum operating pressure: **200 PSI** (bi-directional)
- temperature range: **-20°F to 250°F**
- a wide variety of seat, disc and body materials are available

### Rack and Pinion Actuator

#### Features:

- bi-directional stops for  $\pm 5^\circ$  travel adjustment
- **80 PSI** plant air required
- maximum operating pressure: **120 PSI**
- temperature range: **-40°F to +200°F**
- hard anodized aluminum body
- Namur mounting
- nickel plated anti-blowout pinion
- Buna-N O-rings
- visual position indication
- tested to 1 million cycles
- a wide variety of switches, solenoids, positioners, etc., are available, contact Dixon™ for details



All dimensions are given in inches, unless noted. Dimensions are approximate. Engineering dimensions are available upon request. Specifications are subject to change without notice.

### Lug Spring Return

Size	A	B	C	D1	D2	n-H	Part #	Price/E
2"	9.80	8.09	3.74	.75	5.95	4-5/8-11 UNC	<b>B5121E200LL-BBC</b>	<b>\$733.75</b>
2½"	11.65	9.84	4.69	5.50	6.97	4-5/8-11 UNC	<b>B5121E250LL-BBC</b>	<b>973.05</b>
3"	11.89	9.84	4.69	6.00	7.56	4-5/8-11 UNC	<b>B5121E300LL-BBC</b>	<b>1002.05</b>
4"	12.63	9.84	4.69	7.50	8.35	8-5/8-11 UNC	<b>B5121E400LL-BBC</b>	<b>1090.70</b>
5"	13.94	13.98	5.53	8.50	9.53	8-5/8-11 UNC	<b>B5121E500LL-BBC</b>	<b>1488.95</b>
6"	14.45	13.98	5.53	9.50	11.02	8-5/8-11 UNC	<b>B5121E600LL-BBC</b>	<b>1555.15</b>
8"	17.17	16.60	7.29	11.75	13.19	8-5/8-11 UNC	<b>B5121E800LL-BBC</b>	<b>2844.35</b>
10"	19.21	19.17	8.06	14.25	15.94	12-7/8-9 UNC	<b>B5121E1000LLBBC</b>	<b>3943.70</b>
12"	22.87	25.28	9.37	17.00	19.09	12-7/8-9 UNC	<b>B5121E1200LLBBC</b>	<b>6464.35</b>

### Lug Double Acting

Size	A	B	C	D1	D2	n-H	Part #	Price/E
2"	9.80	5.87	3.74	4.75	5.95	4-5/8-11 UNC	<b>B5121E200LL-BCC</b>	<b>\$604.95</b>
2½"	10.75	5.87	3.74	5.50	6.97	4-5/8-11 UNC	<b>B5121E250LL-BCC</b>	<b>645.30</b>
3"	10.99	5.87	3.74	6.00	7.56	4-5/8-11 UNC	<b>B5121E300LL-BCC</b>	<b>674.25</b>
4"	11.73	5.87	3.74	7.50	8.35	8-5/8-11 UNC	<b>B5121E400LL-BCC</b>	<b>791.10</b>
5"	13.15	7.20	4.69	8.50	9.53	8-5/8-11 UNC	<b>B5121E500LL-BCC</b>	<b>1047.65</b>
6"	13.66	7.20	4.69	9.50	11.02	8-5/8-11 UNC	<b>B5121E600LL-BCC</b>	<b>1113.85</b>
8"	15.79	10.22	5.53	11.75	13.19	8-5/8-11 UNC	<b>B5121E800LL-BCC</b>	<b>1641.65</b>
10"	17.05	10.22	5.53	14.25	15.94	12-7/8-9 UNC	<b>B5121E1000LLBCC</b>	<b>2044.50</b>
12"	20.20	11.98	7.29	17.00	19.09	12-7/8-9 UNC	<b>B5121E1200LLBCC</b>	<b>3232.30</b>

## Ductile Iron **Butterfly Valves**



NOT RECOMMENDED FOR STEAM SERVICE

- for use between two 150 lb. flanges
- 10 position trigger grip handle
- pressure rating: **200 PSI** at ambient temperature (70°F)

### Features:

- ductile iron body, ASTM A536
- aluminum bronze disc, ASTM B148, ALY.954
- PTFE bushing
- stainless steel top and bottom stems

#### threaded lug style with aluminum bronze disc

Size	with Buna-N liner		with EPDM liner	
	Part #	Price/E	Part #	Price/E
2"	<b>BFVL200</b>	<b>\$145.00</b>	<b>BFVL200E</b>	<b>\$145.00</b>
3"	<b>BFVL300</b>	<b>181.25</b>	<b>BFVL300E</b>	<b>181.25</b>
4"	<b>BFVL400</b>	<b>270.00</b>	<b>BFVL400E</b>	<b>270.00</b>
6"	<b>BFVL600</b>	<b>475.00</b>	<b>BFVL600E</b>	<b>475.00</b>



### Features:

- ductile iron body, ASTM A536
- aluminum bronze disc, ASTM B148, ALY.954
- PTFE bushing
- stainless steel top and bottom stems

#### wafer style with aluminum bronze disc

Size	with Buna-N liner		with EPDM liner	
	Part #	Price/E	Part #	Price/E
2"	<b>BBFVW200</b>	<b>\$133.00</b>	<b>BBFVW200E</b>	<b>\$133.00</b>
3"	<b>BBFVW300</b>	<b>170.00</b>	<b>BBFVW300E</b>	<b>170.00</b>
4"	<b>BBFVW400</b>	<b>240.00</b>	<b>BBFVW400E</b>	<b>240.00</b>
6"	<b>BBFVW600</b>	<b>420.00</b>	<b>BBFVW600E</b>	<b>420.00</b>



### Features:

- ductile iron body, ASTM A536
- stainless steel disc, ASTM A351, GR. CF-8M
- Buna-N seal and stem seals
- PTFE bushing
- stainless steel top and bottom stems

#### wafer style with stainless disc

Size	with Buna-N liner	
	Part #	Price/E
2"	<b>BFVW200</b>	<b>\$150.00</b>
3"	<b>BFVW300</b>	<b>185.00</b>
4"	<b>BFVW400</b>	<b>250.00</b>
6"	<b>BFVW600</b>	<b>527.85</b>



### Features:

- ductile iron body, ASTM A536
- nickel plated ductile iron disc
- Buna-N seal and stem seals
- PTFE bushing
- 416 stainless stem

#### wafer style with nickel plated ductile iron disc

Size	with Buna-N liner		with EPDM liner	
	Part #	Price/E	Part #	Price/E
3"	<b>IBFVW300</b>	<b>\$103.50</b>	<b>IBFVW300E</b>	<b>\$103.50</b>
4"	<b>IBFVW400</b>	<b>136.00</b>	<b>IBFVW400E</b>	<b>136.00</b>
6"	<b>IBFVW600</b>	<b>186.00</b>	<b>IBFVW600E</b>	<b>186.00</b>
8"	<b>IBFVW800</b>	<b>300.00</b>	<b>IBFVW800E</b>	<b>300.00</b>

**NEW**





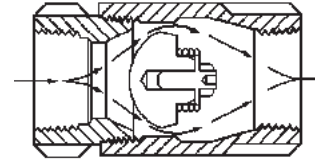
## Domestic Ball Cone Check Valves

### Application:

- For use with water, oil, air lines or inert gases. Not recommended for use on or near reciprocating pumps or other similar vibration causing machinery.

### Features:

- tight shut-off with liquid media
- no radial alignment necessary
- straight through and streamlined for minimum change in velocity
- Reinforced PTFE check is spring loaded for fast seating action.
- pressure rating: **400 PSI** WOG, cold non-shock; **125 PSI** saturated steam
- cracking pressure: .5 PSI
- temperature range: **-20°F to 353°F**



### Pressure Ratings

Temperature	Pressure WOG (PSI)
-20°F to 100°F	<b>400</b>
200°F	<b>200</b>
250°F	<b>160</b>
275°F	<b>150</b>
300°F	<b>140</b>
325°F	<b>130</b>
353°F	<b>125</b>

### female NPT x female NPT

Size	Brass		316 Stainless Steel	
	Part #	Price/E	Part #	Price/E
¼"	<b>61-101</b>	<b>\$62.00</b>	<b>62-101</b>	<b>\$136.00</b>
⅜"	<b>61-102</b>	<b>62.00</b>	<b>62-102</b>	<b>136.00</b>
½"	<b>61-103</b>	<b>62.00</b>	<b>62-103</b>	<b>160.00</b>
¾"	<b>61-104</b>	<b>89.00</b>	<b>62-104</b>	<b>256.00</b>
1"	<b>61-105</b>	<b>120.00</b>	<b>62-105</b>	<b>350.00</b>
1¼"	<b>61-106</b>	<b>212.00</b>	<b>62-106</b>	<b>490.00</b>
1½"	<b>61-107</b>	<b>268.00</b>	<b>62-107</b>	<b>660.00</b>
2"	<b>61-108</b>	<b>440.00</b>	<b>62-108</b>	<b>1140.00</b>
2½"	<b>61-109</b>	<b>900.00</b>	---	---
3"	<b>61-100</b>	<b>1500.00</b>	---	---



### male NPT x female NPT

Size	Brass	
	Part #	Price/E
¼"	<b>61-201</b>	<b>\$85.50</b>
⅜"	<b>61-202</b>	<b>85.50</b>
½"	<b>61-203</b>	<b>85.50</b>
¾"	<b>61-204</b>	<b>112.00</b>
1"	<b>61-205</b>	<b>162.00</b>
1¼"	<b>61-206</b>	<b>264.00</b>
1½"	<b>61-207</b>	<b>335.00</b>
2"	<b>61-208</b>	<b>560.00</b>



## 800 PSI Stainless Steel Check Valve

### Features:

- soft PTFE seat is spring loaded for fast seating action
- flow profile designed to minimize head loss
- temperature range **10°F to 450°F**
- pressure rating: **800 PSI** WOG; **125 PSI** saturated steam
- cracking pressure: .5 PSI
- corrosion resistance, excellent for use on chemicals
- dual guided stem and disc

### female NPT x female NPT

Size	316 Stainless Steel	
	Part #	Price/E
¼"	<b>SSCVIL025</b>	<b>\$114.00</b>
⅜"	<b>SSCVIL038</b>	<b>114.00</b>
½"	<b>SSCVIL050</b>	<b>114.00</b>
¾"	<b>SSCVIL075</b>	<b>169.00</b>
1"	<b>SSCVIL100</b>	<b>200.00</b>
1¼"	<b>SSCVIL125</b>	<b>339.00</b>
1½"	<b>SSCVIL150</b>	<b>416.00</b>
2"	<b>SSCVIL200</b>	<b>472.00</b>



## Check Valves

**Features:**

- Class 800
- ASTM A105, ANSI B120.1
- bolted bonnet
- pressure rating: **1975 PSI**
- maximum temperature: **800°F**
- can be used for steam service

Female NPT	Part #	Price/E
	<i>Forged Steel</i>	
1/2"	<b>FSCV50</b>	<b>\$128.40</b>
3/4"	<b>FSCV75</b>	<b>144.45</b>
1"	<b>FSCV100</b>	<b>202.60</b>
1 1/4"	<b>FSCV125</b>	<b>353.05</b>
1 1/2"	<b>FSCV150</b>	<b>375.10</b>
2"	<b>FSCV200</b>	<b>451.35</b>



## Spring-Loaded Check Valves

**Features:**

- cracking pressure: 0.50 PSI
- NBR seat
- soft seat for bubble tight shutoff, spring loaded for fast seating action
- flow profile designed to minimize head loss
- pressure rating :1/2" - 2" **400 PSI WOG**; 3" - 4" **175 PSI WOG**
- temperature range: **10°F to 210°F** (-10°C to 100°C)

Female NPT	Part #	Price/E
	<i>Brass</i>	
1/2"	<b>CV050</b>	<b>\$18.60</b>
3/4"	<b>CV075</b>	<b>25.00</b>
1"	<b>CV100</b>	<b>34.00</b>
1 1/4"	<b>CV125</b>	<b>53.00</b>
1 1/2"	<b>CV150</b>	<b>79.30</b>
2"	<b>CV200</b>	<b>112.75</b>
3"	<b>CV300</b>	<b>355.90</b>
4"	<b>CV400</b>	<b>550.00</b>

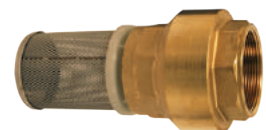


## Strainer with Spring Loaded Check Valves

**Features:**

- brass with NBR seat and stainless steel strainer
- soft seat for bubble tight shutoff, spring loaded for fast seating action
- flow profile designed to minimize head loss
- temperature range: **10°F to 210°F** (-10°C to 100°C)
- cracking pressure: **0.50 PSI**
- pressure rating: 1 1/2"-2" **400 PSI WOG**, 3"-4" **175 PSI WOG**

Female NPT	Part #	Price/E
1 1/2"	<b>BVFS20</b>	<b>\$89.60</b>
2"	<b>BVFS25</b>	<b>129.00</b>
3"	<b>BVFS35</b>	<b>379.50</b>
4"	<b>BVFS40</b>	<b>572.50</b>



Q

## Horizontal Swing Check Valves

### Application:

- Swing check valves are designed to prevent back flow in plumbing and liquid piping systems, while offering full flow performance with a minimum of turbulence or pressure loss.

### Features:

- brass disc
- for horizontal or vertical use
- A positive seating disc allows flow only in one direction and a screw-in cap provides easy access for periodic cleaning.
- pressure rating: **200 PSI WOG**
- temperature range: **-20° to 150°F**



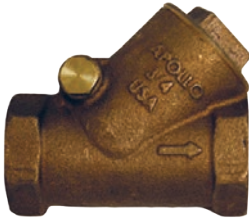
#### female NPT x female NPT

Size	Brass	
	Part #	Price/E
½"	<b>SWCV50</b>	<b>\$19.90</b>
¾"	<b>SWCV75</b>	<b>26.10</b>
1"	<b>SWCV100</b>	<b>35.55</b>
1¼"	<b>SWCV125</b>	<b>56.50</b>
1½"	<b>SWCV150</b>	<b>71.10</b>
2"	<b>SWCV200</b>	<b>110.80</b>
3"	<b>SWCV300</b>	<b>309.80</b>
4"	<b>SWCV400</b>	<b>440.00</b>

## Domestic Swing Check Valves

### Features:

- Class 150
- ASME B1.20.1
- metal seat
- 100% factory tested
- working pressure: **300 PSI cold, 150 PSI steam**
- temperature range: **-20°F to 406°F**



Female NPT	Brass	
	Part #	Price/E
½"	<b>DSCV50</b>	<b>\$154.00</b>
¾"	<b>DSCV75</b>	<b>187.00</b>
1"	<b>DSCV100</b>	<b>252.00</b>
1¼"	<b>DSCV125</b>	<b>333.00</b>
1½"	<b>DSCV150</b>	<b>432.00</b>
2"	<b>DSCV200</b>	<b>646.00</b>

## Cast Iron Y Line Strainers

### Features:

- cast iron body
- graphite gasket
- working pressure: **400 PSI WOG, 250 PSI steam**
- plug ported for blowdown service
- no replacement screens available

products used with the strainer:

- MNPT threaded close nipples, page 742
- brass ball valves, page 678
- MNPT threaded plugs, page 736



Female NPT	Description	Cast Iron	
		Part #	Price/E
¼"	20 x 20 mesh	<b>Y001</b>	<b>\$30.00</b>
⅜"	20 x 20 mesh	<b>Y002</b>	<b>30.00</b>
½"	20 x 20 mesh	<b>Y003</b>	<b>36.00</b>
¾"	20 x 20 mesh	<b>Y004</b>	<b>44.00</b>
1"	20 x 20 mesh	<b>Y005</b>	<b>55.00</b>
1¼"	20 x 20 mesh	<b>Y006</b>	<b>78.00</b>
1½"	20 x 20 mesh	<b>Y007</b>	<b>96.00</b>
2"	20 x 20 mesh	<b>Y008</b>	<b>144.00</b>

## Bronze Y Line Strainers

### Features:

- cast bronze body, female x female NPT ends
- working pressure: **400 PSI** WOG, **125 PSI** steam

Female NPT	Description	Bronze		304 Stainless Replacement Screens	
		Part #	Price/E	Part #	Price/E
¼"	50 x 50 mesh	<b>59-001</b>	<b>\$52.00</b>	<b>G3271-00</b>	<b>\$6.50</b>
⅜"	50 x 50 mesh	<b>59-002</b>	<b>52.00</b>	<b>G2457-00</b>	<b>6.85</b>
½"	50 x 50 mesh	<b>59-003</b>	<b>52.00</b>	<b>G2457-00</b>	<b>6.85</b>
¾"	20 x 20 mesh	<b>59-004</b>	<b>99.00</b>	<b>G3224-00</b>	<b>6.25</b>
1"	20 x 20 mesh	<b>59-005</b>	<b>131.00</b>	<b>G3225-00</b>	<b>13.70</b>
1¼"	20 x 20 mesh	<b>59-006</b>	<b>235.00</b>	<b>G3231-00</b>	<b>19.25</b>
1½"	20 x 20 mesh	<b>59-007</b>	<b>261.00</b>	<b>G3229-00</b>	<b>20.75</b>
2"	20 x 20 mesh	<b>59-008</b>	<b>427.00</b>	<b>G3230-00</b>	<b>16.00</b>



## Polypropylene Y Line Strainers

### Features:

- protects and prevents clogging of pipelines, pumps and spray tips
- glass-filled polypropylene body, female x female NPT ends
- easy access for cleaning
- maximum operating pressure: **90 PSI** at 70°F

Female NPT	Description	Polypropylene		304 Stainless Replacement Screen	
		Part #	Price/E	Part #	Price/E
¾"	40 mesh	<b>PYLS7540</b>	<b>\$35.50</b>	<b>61450</b>	<b>\$17.10</b>
1"	40 mesh	<b>PYLS10040</b>	<b>44.25</b>	<b>61746</b>	<b>18.50</b>
1½"	40/20 mesh	<b>PYLS15040</b>	<b>97.00</b>	<b>61509</b>	<b>43.00</b>
2"	40/20 mesh	<b>PYLS20040</b>	<b>97.00</b>	<b>61509</b>	<b>43.00</b>



## Polypropylene T Line Strainers

### Features:

- white polypropylene allows easy inspection
- female x female NPT ends
- 40 mesh stainless steel screen
- maximum operating pressure: **100 PSI** at 70°F

Female NPT	Description	Polypropylene		304 Stainless Replacement Screen	
		Part #	Price/E	Part #	Price/E
¾"	40 mesh	<b>PTLS7540</b>	<b>\$26.25</b>	<b>61405</b>	<b>\$12.00</b>
1"	40 mesh	<b>PTLS10040</b>	<b>26.25</b>	<b>61405</b>	<b>12.00</b>



Q

## Hammer Unions

### Features:

- Socket weld configurations and other materials are available, contact the factory for further information.
- Hammer unions work at extremely high pressures. Mismatching components of one series with another (i.e. series 602 with series 1502) can lead to destruction of property, serious bodily injury or death.
- temperature range: **-20°F to 250°F**
- non-shocking cold water pressure means that the rated value is the maximum operating pressure at ambient temperature:
  - no spikes higher than this pressure
  - no instantaneous pressure increases (0-2000 PSIG in ¼ of a second)
  - ambient temperature: 70°F



### 100 Series

#### Features:

- used on low pressure manifolds and lines and in applications running air, water, oil or gas up to **1,000 PSI NSCWP** (non-shock cold working pressure)
- yellow sub, black nut

Size	Configuration	NSCWP (PSI)	Forged Steel	
			Part #	Price/E
2"	threaded	1000	<b>HU100200</b>	\$52.90
2"	butt weld	1000	<b>HU100200BW<sup>1</sup></b>	82.35
2½"	threaded	1000	<b>HU100250</b>	150.00
3"	threaded	1000	<b>HU100300</b>	139.05
4"	threaded	1000	<b>HU100400</b>	209.45
4"	butt weld	1000	<b>HU100400BW<sup>1</sup></b>	269.20
6"	threaded	1000	<b>HU100600</b>	722.40
8"	threaded	1000	<b>HU100800</b>	981.65

<sup>1</sup> butt weld ends are schedule 40

### 200 Series

#### Features:

- used in general service applications running air, water, oil or gas up to **2,000 PSI NSCWP** (non-shock cold working pressure)
- grey sub, blue nut



Size	Configuration	NSCWP (PSI)	Forged Steel	
			Part #	Price/E
1"	threaded	2000	<b>HU200100</b>	\$35.35
1½"	threaded	2000	<b>HU200150</b>	116.15
2"	threaded	2000	<b>HU200200</b>	51.90
2"	butt weld	2000	<b>HU200200BW<sup>1</sup></b>	87.10
2½"	threaded	2000	<b>HU200250</b>	229.60
3"	threaded	2000	<b>HU200300</b>	213.75
4"	threaded	2000	<b>HU200400</b>	271.80
6"	threaded	2000	<b>HU200600</b>	981.65
8"	threaded	2000	<b>HU200800</b>	1150.00

<sup>1</sup> butt weld ends are schedule 40

### 206 Series

#### Features:

- runs air, water, oil or gas up to **2,000 PSI NSCWP** (non-shock cold working pressure)
- O-ring mounted sub provides excellent sealing properties
- grey sub, blue nut



Size	Configuration	NSCWP (PSI)	Forged Steel	
			Part #	Price/E
1"	threaded	2000	<b>HU206100</b>	\$39.15
1½"	threaded	2000	<b>HU206150</b>	101.10
2"	threaded	2000	<b>HU206200</b>	59.00
2½"	threaded	2000	<b>HU206250</b>	224.80
3"	threaded	2000	<b>HU206300</b>	224.30
4"	threaded	2000	<b>HU206400</b>	250.00
6"	threaded	2000	<b>HU206600</b>	1066.10
8"	threaded	2000	<b>HU206800</b>	1600.00

R

## Hammer Unions 400 Series

**Features:**

- used on manifold and line connections, pump, suction and mud service
- up to **4,000 PSI NSCWP** (non-shock cold working pressure)
- red sub, black nut

Size	Configuration	NSCWP (PSI)	Forged Steel	
			Part #	Price/E
2"	threaded	4000	<b>HU400200</b>	\$148.00
3"	threaded	4000	<b>HU400300</b>	305.25
4"	threaded	4000	<b>HU400400</b>	387.45



## 602 Series

**Features:**

- for use in mud, manifold service and truck mounting applications running water, oil or mud up to **6,000 PSI NSCWP** (non-shock cold working pressure)
- lip type seal ring minimizes fluid flow turbulence while creating a pressure seal
- orange sub, black nut

Size	Configuration	NSCWP (PSI)	Forged Steel	
			Part #	Price/E
1"	threaded	6000	<b>HU602100</b>	\$116.00
2"	threaded	6000	<b>HU602200</b>	269.20
2"	butt weld	6000	<b>HU602200BW<sup>1</sup></b>	234.85
3"	threaded	6000	<b>HU602300</b>	375.00
3"	butt weld	6000	<b>HU602300BW<sup>1</sup></b>	446.15
4"	threaded	6000	<b>HU602400</b>	550.00
4"	butt weld	6000	<b>HU602400BW<sup>1</sup></b>	704.50

<sup>1</sup> butt weld ends are schedule 80



## 1002 Series

**Features:**

- for use in high pressure systems and truck mounting applications running water, oil or mud up to **10,000 PSI NSCWP** (non-shock cold working pressure)
- lip type seal ring minimizes fluid flow turbulence while creating a pressure seal
- blue sub, red nut

Size	Configuration	NSCWP (PSI)	Forged Steel	
			Part #	Price/E
1"	threaded	10000	<b>HU1002100</b>	\$223.15
2"	threaded	10000	<b>HU1002200</b>	293.40
2"	butt weld	10000	<b>HU1002200BW<sup>1</sup></b>	270.00
3"	threaded	10000	<b>HU1002300</b>	450.00
3"	butt weld	10000	<b>HU1002300BW<sup>1</sup></b>	610.55
4"	threaded	10000	<b>HU1002400</b>	758.20
4"	butt weld	10000	<b>HU1002400BW<sup>1</sup></b>	751.45

<sup>1</sup> butt weld ends are schedule -XXS



## 1502 Series

**Features:**

- for use in extreme high pressure applications running water, oil or mud up to **15,000 PSI NSCWP** (non-shock cold working pressure)
- lip type seal ring minimizes fluid flow turbulence while creating a pressure seal
- red sub, blue nut

Size	Configuration	NSCWP (PSI)	Forged Steel	
			Part #	Price/E
2"	threaded	15000	<b>HU1502200</b>	\$303.85
2"	butt weld	15000	<b>HU1502200BW<sup>1</sup></b>	352.25
3"	threaded	15000	<b>HU1502300</b>	670.00
3"	butt weld	15000	<b>HU1502300BW<sup>1</sup></b>	730.30
4"	threaded	15000	<b>HU1502400</b>	1060.50
4"	butt weld	15000	<b>HU1502400BW<sup>1</sup></b>	1268.05

<sup>1</sup> butt weld ends are schedule -XXS



R

**NEW**

## Hookie - Hook Hose Lifter

**Features:**

- for use with hammer unions on pages 716-717
- safe working load is 4 tons, with a proof load test of 8 tons
- supplied complete with retaining clamp



Size	Forged Carbon Steel Part #	Price/E
3"	<b>HA0900-3</b>	<b>\$666.60</b>
4"	<b>HA0900-4</b>	<b>666.60</b>
5"	<b>HA0900-5</b>	<b>727.20</b>

## Bull Plugs

**Features:**

- manufactured in conformance with ASTM A234 and MSS SP-95
- threads on nipples conform to ASME B1.20.1
- schedule 40 nipples have blue caps
- schedule 80 nipples have green caps

**NEW**

Male NPT	Length	Zinc Plated Schedule 40 Part #	Price/E
2"	4.0	<b>BP40-200</b>	<b>\$30.40</b>
2½"	5.0	<b>BP40-250</b>	<b>52.05</b>
3"	6.0	<b>BP40-300</b>	<b>65.10</b>
4"	7.0	<b>BP40-400</b>	<b>89.65</b>

Male NPT	Length	Zinc Plated Schedule 80 Part #	Price/E
2"	4.0	<b>BP80-200</b>	<b>\$29.90</b>
2½"	5.0	<b>BP80-250</b>	<b>54.70</b>
3"	6.0	<b>BP80-300</b>	<b>59.75</b>
4"	7.0	<b>BP80-400</b>	<b>81.90</b>

## Bull Plugs with Tap

**Features:**

- manufactured in conformance with ASTM A234 and MSS SP-95
- threads on nipples conform to ASME B1.20.1
- schedule 40 nipples have blue caps
- schedule 80 nipples have green caps

**R**

Male NPT	Length	Zinc Plated Schedule 40 Part #	Price/E
2" x ¼"	4.0	<b>BP40-200T025</b>	<b>\$31.80</b>
2" x ½"	5.0	<b>BP40-200T050</b>	<b>31.80</b>
3" x ½"	6.0	<b>BP40-300T050</b>	<b>64.20</b>
4" x ½"	7.0	<b>BP40-400T050</b>	<b>90.95</b>

Male NPT	Length	Zinc Plated Schedule 80 Part #	Price/E
2" x ¼"	4.0	<b>BP80-200T025</b>	<b>\$31.80</b>
2" x ½"	5.0	<b>BP80-200T050</b>	<b>33.35</b>
3" x ½"	6.0	<b>BP80-300T050</b>	<b>69.35</b>
4" x ½"	7.0	<b>BP80-400T050</b>	<b>95.70</b>

## Swage Nipples

**NEW****Features:**

- manufactured in conformance with ASTM A234 and MSS SP-95
- threads on nipples conform to ASME B1.20.1
- schedule 40 nipples have blue caps
- schedule 80 nipples have green caps

Male NPT	Length	Zinc Plated Schedule 40 Part #	Price/E
2" X 1"	6.5	<b>SW40-200100</b>	<b>\$35.15</b>
2" X 1¼"	6.5	<b>SW40-200125</b>	<b>35.15</b>
2" X 1½"	6.5	<b>SW40-200150</b>	<b>35.15</b>
2½" X 1"	7.0	<b>SW40-250100</b>	<b>47.10</b>
2½" X 1½"	7.0	<b>SW40-250150</b>	<b>47.10</b>
2½" X 2"	7.0	<b>SW40-250200</b>	<b>38.65</b>
3" X 2"	8.0	<b>SW40-300200</b>	<b>43.20</b>
3" X 2½"	8.0	<b>SW40-300250</b>	<b>43.20</b>
4" X 2"	9.0	<b>SW40-400200</b>	<b>74.35</b>
4" X 2½"	9.0	<b>SW40-400250</b>	<b>75.75</b>
4" X 3"	9.0	<b>SW40-400300</b>	<b>62.75</b>
6" X 3"	12.0	<b>SW40-600300</b>	<b>242.45</b>
6" X 4"	12.0	<b>SW40-600400</b>	<b>231.30</b>
8" X 4"	13.0	<b>SW40-800400</b>	<b>643.05</b>
8" X 6"	13.0	<b>SW40-800600</b>	<b>491.80</b>



Male NPT	Length	Zinc Plated Schedule 80 Part #	Price/E
½" x ¼"	2.8	<b>SW80-050025</b>	<b>\$11.15</b>
½" x ⅜"	2.8	<b>SW80-050038</b>	<b>11.80</b>
¾" x ½"	3.0	<b>SW80-075050</b>	<b>13.10</b>
1" x ¼"	3.5	<b>SW80-100025</b>	<b>14.75</b>
1" x ½"	3.5	<b>SW80-100050</b>	<b>13.95</b>
1" x ¾"	3.5	<b>SW80-100075</b>	<b>16.95</b>
2" x ½"	6.5	<b>SW80-200050</b>	<b>40.95</b>
2" x ¾"	6.5	<b>SW80-200075</b>	<b>38.80</b>
2" x 1"	6.5	<b>SW80-200100</b>	<b>34.55</b>
2" x 1¼"	6.5	<b>SW80-200125</b>	<b>35.15</b>
2" x 1½"	6.5	<b>SW80-200150</b>	<b>35.15</b>
2½" x 2"	7.0	<b>SW80-250200</b>	<b>40.35</b>
3" x 1"	8.0	<b>SW80-300100</b>	<b>77.85</b>
3" x 2"	8.0	<b>SW80-300200</b>	<b>57.25</b>
3" x 2½"	8.0	<b>SW80-300250</b>	<b>54.05</b>
4" x 2"	9.0	<b>SW80-400200</b>	<b>89.55</b>
4" x 3"	9.0	<b>SW80-400300</b>	<b>83.60</b>
4" x 4"	9.0	<b>SW80-400400</b>	<b>119.25</b>
6" x 3"	12.0	<b>SW80-600300</b>	<b>286.05</b>
6" x 4"	12.0	<b>SW80-600400</b>	<b>279.55</b>
8" x 6"	13.0	<b>SW80-800600</b>	<b>571.05</b>

**R**



## Straub Grip-L Axial Restraint Pipe Couplings

### Application:

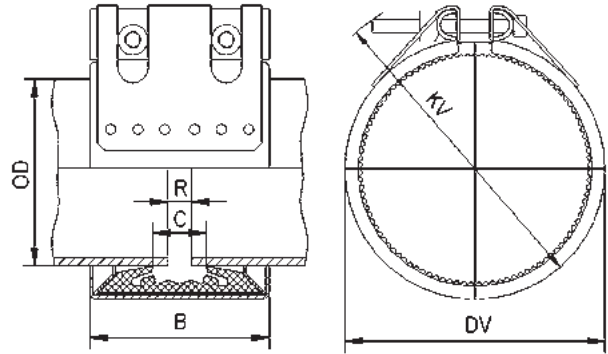
- Straub Grip-L couplings are particularly suitable for pipes within the lower pressure range. Applications include, but are not limited to: ship building, water and waste water treatment plants and industrial process pipe work.

### Features:

- Joins like or dissimilar pipe materials: steel, galvanized, painted, stainless steel, thin-wall stainless steel, PVC, copper
- Requires no special tools or pipe-end preparation; only a torque wrench is required for a secure and safe pipe connection that seldom needs retightening.
- highest quality 316 Ti stainless steel construction
- accommodates up to 5° of pipe misalignment
- vary gap between pipe ends
- absorbs vibration, water hammer and sound
- special patented grip ring for superior holding power on hard-surfaced pipes
- 5 year limited warranty
- reusable
- built to ASTM 1476, Type 2, Class 2 specifications
- casing: AISI 316Ti
- screws: AISI 316 L
- bolts: AISI 316 Ti
- anchoring ring: AISI 301
- sealing sleeve: EPDM standard (NBR and FKM are also available, contact Dixon™ for additional information)
- EPDM sealing sleeve: temperature range - 4°F to 176°F (-20°C to 80°C)

### Specifications:

- American Bureau of Shipping (ABS)  
up to 232 PSI on ¾" - 5"; 188 PSI on 6"; 145 PSI on 8"
- Underwriter's Laboratories (UL)
- National Sanitation Foundation (NSF)



Size	Pipe OD		Working Pressure PSI	Coupling Dimensions		Assembled Dimensions		Maximum Distance Between Pipe End R	Stainless Steel	
	actual	range min to max		B	C	DV	KV		Part #	Price/E
¾"	1.05"	1.04" to 1.08"	<b>670</b>	1.8"	0.7"	1.7"	2.8"	0.2"	<b>STR20000</b>	<b>\$169.30</b>
1"	1.31"	1.31" to 1.35"	<b>550</b>	1.8"	0.7"	2"	3"	0.2"	<b>STR20100</b>	<b>179.30</b>
1½"	1.90"	1.88" to 1.92"	<b>440</b>	2.4"	1.0"	2.6"	3.9"	0.2"	<b>STR20300</b>	<b>221.95</b>
2"	2.37"	2.35" to 2.40"	<b>320</b>	3.0"	1.5"	3.1"	4.3"	0.4"	<b>STR20450</b>	<b>259.90</b>
2½"	2.87"	2.85" to 2.90"	<b>450</b>	3.7"	1.6"	3.9"	5.3"	0.4"	<b>STR20500</b>	<b>331.35</b>
3"	3.50"	3.46" to 3.54"	<b>320</b>	3.7"	1.6"	4.4"	5.9"	0.4"	<b>STR20650</b>	<b>365.00</b>
4"	4.50"	4.46" to 4.54"	<b>232</b>	3.7"	1.6"	5.4"	6.7"	0.4"	<b>STR20900</b>	<b>403.65</b>
5"	5.50"	5.51" to 5.62"	<b>232</b>	4.3"	2.1"	6.5"	8.3"	0.4"	<b>STR21150</b>	<b>598.10</b>
6"	6.63"	6.56" to 6.69"	<b>232</b>	4.3"	2.1"	7.6"	9.1"	0.4"	<b>STR21350</b>	<b>650.45</b>
8"	8.63"	8.54" to 8.71"	<b>232</b>	5.6"	3.1"	9.8"	11.6"	0.4"	<b>STR21400</b>	<b>1136.50</b>

- ¾" - 2" couplings have only one bolt

All Straub couplings require the correct use of a torque wrench for a safe and proper installation. Straub couplings must be torqued to the specified value as printed on each individual coupling. Failure to do so can result in serious injury or death.  
*Not for steam or refrigerant service.*



## Straub Open-Flex 1L Couplings

### Applications:

- Straub Open-Flex 1L couplings are suitable for repairing or joining pipes where access to the pipe end is difficult or impossible. This unique wrap-around design differs from similar type repair products because the installation or repair is permanent due to the unique flexible lip seal gasket design. Open-Flex couplings will also act as an expansion joint. *Straub Open-Flex couplings do require the pipes to be properly anchored and restrained as they are not pull-out resistant like the Straub Grip-L couplings.* Use Straub Open-Flex couplings to replace bolted sleeve type couplings (AWWA Std. C-219) or for permanent repairs or installation.

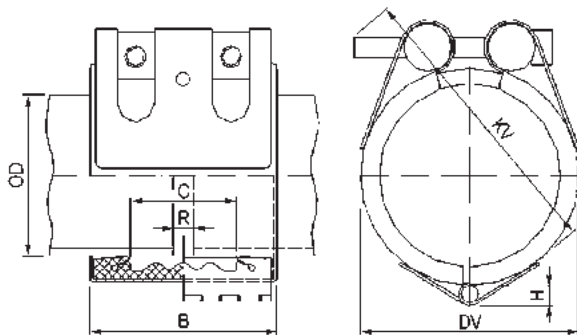
### Features:

- Joins like or dissimilar pipe materials: steel, galvanized, painted, stainless steel, thin-wall stainless steel, PVC, copper
- Requires no special tools or pipe-end preparation; only a torque wrench is required for a secure and safe pipe connection that seldom needs retightening.
- highest quality 316 Ti stainless steel construction
- accommodates up to 5° of pipe misalignment
- vary gap between pipe ends
- absorbs vibration, water hammer, and sound
- acts as an expansion joint; will accept up to .25" of axial movement
- 5 year limited warranty
- reusable

- conforms to ASTM 1476, Type 2, Class 3 specifications
- casing: AISI 316Ti
- screws: AISI 4135 steel
- bolts: AISI 12L 14 galvanized
- EPDM sealing sleeve: temperature range - 4°F to 176°F (-20°C to 80°C)

### Specifications:

- American Bureau of Shipping (ABS) up to 232 PSI
- Underwriter's Laboratories (UL)
- National Sanitation Foundation (NSF)



Size	Pipe OD		Working Pressure PSI	Coupling Dimensions			Assembled Dimensions		Max. Distance Between Pipe End R	Weight (lbs.)	Stainless Steel	
	actual	range min to max		B	C	H	DV	KV			Part #	Price/E
1½"	1.90"	1.85" to 1.95"	<b>363</b>	3.0"	1.4"	.28	2.8"	3.3"	.20"	1.10	<b>STR35001</b>	<b>\$268.95</b>
2"	2.38"	2.32" to 2.42"	<b>232</b>	3.0"	1.4"	.28	3.2"	3.7"	.20"	1.34	<b>STR35151</b>	<b>284.95</b>
2½"	2.88"	2.81" to 2.93"	<b>232</b>	3.0"	1.4"	.36	3.2"	3.7"	.20"	1.80	<b>STR35201</b>	<b>310.00</b>
3"	3.50"	3.44" to 3.56"	<b>232</b>	3.7"	2.0"	.36	4.4"	4.9"	.20"	2.10	<b>STR35351</b>	<b>324.95</b>
4"	4.50"	4.43" to 4.57"	<b>232</b>	3.7"	2.0"	.36	5.4"	5.9"	.20"	2.33	<b>STR35651</b>	<b>343.65</b>
5"	5.56"	5.49" to 5.57"	<b>232</b>	4.2"	2.4"	.38	6.4"	7.1"	.20"	3.20	<b>STR35901</b>	<b>433.80</b>
6"	6.63"	6.54" to 6.71"	<b>232</b>	4.2"	2.4"	.38	7.5"	8.1"	.20"	3.70	<b>STR36051</b>	<b>464.80</b>



*Not pull-out resistant.*

Ensure that pipes are properly anchored and supported.

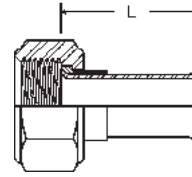
Assembly tool: **STR6648**, \$348.55



# Female Weld End Metal Hose Fittings

All fittings have 316 seamless stainless steel tubes

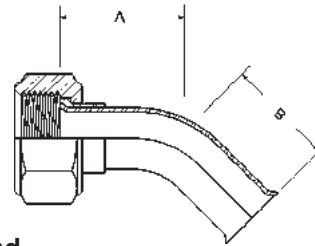
## Straight



### SAE 37° Female JIC x Weld End

Female SAE 37° JIC	Tube OD	Pressure Rating PSI at 70°F	Dimension L	Tube Wall	304 Stainless Steel Nut & Sleeve		Carbon Steel Nut & Sleeve	
					Part #	Price/E	Part #	Price/E
7/16" - 20	¼"	<b>8650</b>	1.500"	.049"	<b>SFMF250</b>	<b>\$28.40</b>	<b>FMF250</b>	<b>\$17.30</b>
9/16" - 18	⅜"	<b>5550</b>	1.500"	.049"	<b>SFMF375</b>	<b>32.00</b>	<b>FMF375</b>	<b>21.20</b>
3/4" - 16	½"	<b>4050</b>	1.500"	.049"	<b>SFMF500</b>	<b>52.55</b>	<b>FMF500</b>	<b>28.65</b>
1-1/16" - 12	¾"	<b>2600</b>	1.500"	.049"	<b>SFMF750</b>	<b>90.40</b>	<b>FMF750</b>	<b>42.10</b>
1-5/16" - 12	1"	<b>1950</b>	2.000"	.049"	<b>SFMF1000</b>	<b>141.30</b>	<b>FMF1000</b>	<b>63.45</b>
1-5/8" - 12	1¼"	<b>2050</b>	2.375"	.065"	<b>SFMF1250</b>	<b>240.15</b>	<b>FMF1250</b>	<b>126.05</b>
1-7/8" - 12	1½"	<b>1700</b>	2.375"	.065"	<b>SFMF1500</b>	<b>407.30</b>	<b>FMF1500</b>	<b>174.95</b>
2-1/2" - 12	2"	<b>1250</b>	2.500"	.065"	<b>SFMF2000</b>	<b>790.55</b>	<b>FMF2000</b>	<b>325.05</b>

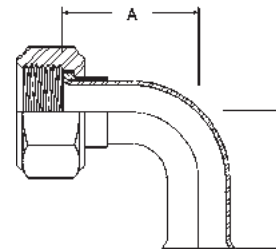
## 45° Elbow



### SAE 37° Female JIC x Weld End

Female SAE 37° JIC	Tube OD	Pressure Rating PSI at 70°F	Dimensions		Bend Radius	Tube Wall	304 Stainless Steel Nut & Sleeve		Carbon Steel Nut & Sleeve	
			A	B			Part #	Price/E	Part #	Price/E
7/16" - 20	¼"	<b>5000</b>	0.750"	0.750"	0.380"	.049"	<b>SFMF250-45</b>	<b>\$24.55</b>	<b>FMF250-45</b>	<b>\$28.70</b>
9/16" - 18	⅜"	<b>4500</b>	1.000"	1.000"	0.500"	.049"	<b>SFMF375-45</b>	<b>35.65</b>	<b>FMF375-45</b>	<b>38.25</b>
3/4" - 16	½"	<b>4000</b>	1.250"	1.250"	1.000"	.049"	<b>SFMF500-45</b>	<b>71.20</b>	<b>FMF500-45</b>	<b>69.20</b>
1-1/16" - 12	¾"	<b>2600</b>	1.450"	1.450"	1.500"	.049"	<b>SFMF750-45</b>	<b>100.75</b>	<b>FMF750-45</b>	<b>71.50</b>
1-5/16" - 12	1"	<b>2500</b>	1.800"	1.800"	2.000"	.049"	<b>SFMF1000-45</b>	<b>166.00</b>	<b>FMF1000-45</b>	<b>107.25</b>
1-5/8" - 12	1¼"	<b>2050</b>	2.100"	2.100"	2.000"	.065"	<b>SFMF1250-45</b>	<b>278.80</b>	<b>FMF1250-45</b>	<b>221.75</b>
1-7/8" - 12	1½"	<b>1700</b>	2.300"	2.300"	2.000"	.065"	<b>SFMF1500-45</b>	<b>506.20</b>	<b>FMF1500-45</b>	<b>293.80</b>
2-1/2" - 12	2"	<b>1250</b>	3.000"	3.000"	3.000"	.065"	<b>SFMF2000-45</b>	<b>660.15</b>	<b>FMF2000-45</b>	<b>609.75</b>

## 90° Elbow



### SAE 37° Female JIC x Weld End

Female SAE 37° JIC	Tube OD	Pressure Rating PSI at 70°F	Dimensions		Bend Radius	Tube Wall	304 Stainless Steel Nut & Sleeve		Carbon Steel Nut & Sleeve	
			A	B			Part #	Price/E	Part #	Price/E
7/16" - 20	¼"	<b>5000</b>	1.000"	1.000"	0.375"	.049"	<b>SFMF250-90</b>	<b>\$32.30</b>	<b>FMF250-90</b>	<b>\$33.70</b>
9/16" - 18	⅜"	<b>4500</b>	1.250"	1.250"	0.500"	.049"	<b>SFMF375-90</b>	<b>36.50</b>	<b>FMF375-90</b>	<b>40.60</b>
3/4" - 16	½"	<b>4000</b>	1.830"	1.830"	1.000"	.049"	<b>SFMF500-90</b>	<b>73.80</b>	<b>FMF500-90</b>	<b>58.95</b>
1-1/16" - 12	¾"	<b>2600</b>	2.350"	2.350"	1.500"	.049"	<b>SFMF750-90</b>	<b>108.45</b>	<b>FMF750-90</b>	<b>95.40</b>
1-5/16" - 12	1"	<b>2500</b>	3.100"	3.100"	2.000"	.049"	<b>SFMF1000-90</b>	<b>173.05</b>	<b>FMF1000-90</b>	<b>127.95</b>
1-5/8" - 12	1¼"	<b>2050</b>	3.500"	3.500"	2.000"	.065"	<b>SFMF1250-90</b>	<b>308.85</b>	<b>FMF1250-90</b>	<b>205.25</b>
1-7/8" - 12	1½"	<b>1700</b>	3.750"	3.750"	2.000"	.065"	<b>SFMF1500-90</b>	<b>432.20</b>	<b>FMF1500-90</b>	<b>261.10</b>
2-1/2" - 12	2"	<b>1250</b>	4.900"	4.900"	2.000"	.065"	<b>SFMF2000-90</b>	<b>866.80</b>	<b>FMF2000-90</b>	<b>631.10</b>

R

## NPT Threaded Pipe Fittings

Size	Overall Length	Carbon Steel		304 Stainless Steel		Aluminum	
		Part #	Price/E	Part #	Price/E	Part #	Price/E
1/4"	2"	<b>PN250</b>	<b>\$4.95</b>	<b>PNS250</b>	<b>\$7.80</b>	---	---
3/8"	2"	<b>PN375</b>	<b>5.50</b>	<b>PNS375</b>	<b>9.95</b>	---	---
1/2"	2"	<b>PN500</b>	<b>4.90</b>	<b>PNS500</b>	<b>11.20</b>	---	---
3/4"	2"	<b>PN750</b>	<b>3.50</b>	<b>PNS750</b>	<b>13.90</b>	---	---
1"	2"	<b>PN1000</b>	<b>5.05</b>	<b>PNS1000</b>	<b>16.70</b>	---	---
1 1/4"	2"	<b>PN1250</b>	<b>7.15</b>	<b>PNS1250</b>	<b>20.85</b>	---	---
1 1/2"	2"	<b>PN1500</b>	<b>6.15</b>	<b>PNS1500</b>	<b>23.70</b>	---	---
2"	2"	<b>PN2000</b>	<b>7.15</b>	<b>PNS2000</b>	<b>33.65</b>	---	---
2 1/2"	3"	<b>PN2500</b>	<b>24.25</b>	<b>PNS2500</b>	<b>78.25</b>	---	---
3"	3"	<b>PN3000</b>	<b>28.00</b>	<b>PNS3000</b>	<b>105.80</b>	<b>APN3000</b>	<b>\$43.25</b>
4"	4"	<b>PN4000</b>	<b>46.00</b>	<b>PNS4000</b>	<b>161.35</b>	<b>APN4000</b>	<b>64.15</b>



## Dixon™ Hex Nipples for Welding to Metal Hose

Size	Carbon Steel <sup>1</sup>		Opt Qty	Machined Brass		304 Stainless Steel <sup>1</sup>		Opt Qty	316 Stainless Steel <sup>1</sup>	
	Part #	Price/E		Part #	Price/E	Part #	Price/E		Part #	Price/E
1/4"	<b>FM250</b>	<b>\$3.35</b>	200	<b>FMB250</b>	<b>\$6.80</b>	<b>FMS250</b>	<b>\$9.50</b>	200	---	---
5/8"	<b>FM375</b>	<b>3.55</b>	100	<b>FMB375</b>	<b>11.15</b>	<b>FMS375</b>	<b>11.85</b>	100	---	---
1/2"	<b>FM500</b>	<b>4.55</b>	50	<b>FMB500</b>	<b>13.20</b>	<b>FMS500<sup>2</sup></b>	<b>11.20</b>	50	<b>FMR500<sup>2</sup></b>	<b>\$12.70</b>
3/4"	<b>FM750</b>	<b>5.55</b>	50	<b>FMB750</b>	<b>15.60</b>	<b>FMS750<sup>2</sup></b>	<b>12.45</b>	50	<b>FMR750<sup>2</sup></b>	<b>15.90</b>
1"	<b>FM1000</b>	<b>7.30</b>	50	<b>FMB1000</b>	<b>24.70</b>	<b>FMS1000<sup>2</sup></b>	<b>19.00</b>	50	<b>FMR1000<sup>2</sup></b>	<b>27.65</b>
1 1/4"	<b>FM1250</b>	<b>14.40</b>	50	---	---	<b>FMS1250</b>	<b>60.60</b>	50	---	---
1 1/2"	<b>FM1500</b>	<b>15.10</b>	50	---	---	<b>FMS1500</b>	<b>60.80</b>	50	<b>FMR1500</b>	<b>63.10</b>
2"	<b>FM2000</b>	<b>39.90</b>	10	---	---	---	---	---	---	---

<sup>1</sup> Dixon™ suggests using 308 LSI welding rod

<sup>2</sup> global stainless steel



## Dixon™ Octagonal Nipples for Welding to Metal Hose

Size	Overall Length	Weld-On Length	Hex Length	Carbon Steel		304 Stainless Steel	
				Part #	Price/E	Part #	Price/E
2"	2 1/2"	7/8"	9/16"	<b>OCTOE32</b>	<b>\$27.00</b>	<b>OCTOES32</b>	<b>\$52.30</b>



## Dixon™ Octagonal Wrench Grips

Size	Across Outside Flats	Across Inside Flats	Width	304 Stainless Steel	
				Part #	Price/E
1 1/2"	2.230"	1.910"	9/16"	<b>OCTS24</b>	<b>\$14.30</b>
2"	2.781"	2.385"	9/16"	<b>OCTS32</b>	<b>16.20</b>
3"	3.750"	3.510"	7/8"	<b>OCTS48</b>	<b>37.00</b>

Size	Across Outside Flats	Across Inside Flats	Width	Carbon Steel	
				Part #	Price/E
2"	2.740"	2.510"	9/16"	<b>OCT32</b>	<b>\$9.00</b>



R

## Dixon™ Weld-On Hex Wrench Grips

Size	Global Investment Cast Steel	
	Part #	Price/E
1"	<b>WN12</b>	<b>\$6.30</b>
1 1/4"	<b>WN16</b>	<b>5.90</b>
1 1/2"	<b>WN21</b>	<b>5.90</b>
2"	<b>WN26</b>	<b>6.45</b>
2 1/2"	<b>WN31</b>	<b>8.60</b>
3"	<b>WN36</b>	<b>10.40</b>
4"	<b>WN46</b>	<b>21.00</b>



## Notched Turned Back Nipples

### Features:

- Stems are for use with lap joint flanges on page 726.
- When used with an appropriate notched ferrule, these fittings can be swaged or crimped onto hose providing improved shank retention.
- When used with double bolt or band clamps, notched turn back nipples provide shank retention similar to that of the King™ turned back nipples.
- The stem can be removed from a damaged hose by cutting away the ferrule without necessarily damaging the fitting.



### stems

Size	Carbon Steel		316 Stainless Steel	
	Part #	Price/E	Part #	Price/E
1½"	<b>N150NO</b>	<b>\$31.50</b>	<b>RN150NO</b>	<b>\$80.60</b>
2"	<b>N200NO</b>	<b>35.55</b>	<b>RN200NO</b>	<b>92.70</b>
2½"	<b>N250NO</b>	<b>55.00</b>	<b>RN250NO</b>	<b>125.00</b>
3"	<b>N300NO</b>	<b>84.25</b>	<b>RN300NO</b>	<b>162.00</b>
4"	<b>N400NO</b>	<b>141.10</b>	<b>RN400NO</b>	<b>248.25</b>

Special pushers required:

1½" stem - RN150NOPUSH

2" stem - RN200NOPUSH

2½" stem - RN250NOPUSH

3" stem - RN300NOPUSH

4" stem - RN400NOPUSH

### ferrules



Hose ID	Hose OD		304 Stainless Steel	
	from	to	Part #	Price/E
1½"	1-60/64"	2-12/64"	<b>GAS2334NO</b>	<b>\$34.80</b>
1½"	2-4/64"	2-22/64"	<b>GAS2370NO</b>	<b>38.35</b>
2"	2-30/64"	2-44/64"	<b>GAS2709NO</b>	<b>31.80</b>
2"	2-42/64"	2-54/64"	<b>GAS2885NO</b>	<b>69.55</b>
2½"	2-54/64"	3"	<b>GAS3012NO</b>	<b>64.50</b>
2½"	3-1/64"	3-13/64"	<b>GAS3260NO</b>	<b>68.80</b>
3"	3-30/64"	3-46/64"	<b>GAS3760NO</b>	<b>45.40</b>
3"	3-47/64"	3-54/64"	<b>GAS3885NO</b>	<b>62.10</b>
4"	4-40/64"	4-47/64"	<b>GAS5010NO</b>	<b>258.75</b>



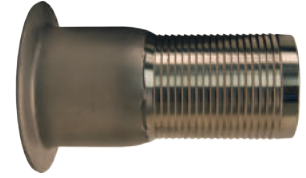
Dixon™ stems and ferrules are specifically designed to be used together as a coupling system. Due to differences in dimensions and tolerances for safety reasons, do not use other manufacturer's stems or ferrules with Dixon™ Holedall™ products.

## King™ Turned Back Hose Nipples for Floating Flanges

### Features:

- A turned back nipple, when used in a floating flange assembly, allows the flange to be aligned without stressing (twisting) the hose. This generally increases the hose's service life by eliminating a common cause of premature hose failure.
- for use with Lap Joint flanges shown on page 726

Size	Plated Carbon Steel		316 Stainless Steel	
	Part #	Price/E	Part #	Price/E
1"	<b>N10</b>	<b>\$49.30</b>	<b>RN10</b>	<b>\$119.40</b>
1¼"	<b>N15</b>	<b>49.80</b>	<b>RN15</b>	<b>148.30</b>
1½"	<b>N20</b>	<b>78.20</b>	<b>RN20</b>	<b>152.35</b>
2"	<b>N25</b>	<b>84.70</b>	<b>RN25</b>	<b>203.70</b>
2½"	<b>N30</b>	<b>113.30</b>	<b>RN30</b>	<b>381.20</b>
3"	<b>N35</b>	<b>98.15</b>	<b>RN35</b>	<b>311.50</b>
4"	<b>N40</b>	<b>156.50</b>	<b>RN40</b>	<b>457.60</b>
6"	<b>N60</b>	<b>254.00</b>	<b>RN60</b>	<b>916.70</b>
8"	<b>N80</b>	<b>375.00</b>	<b>RN80</b>	<b>1485.00</b>
10"	<b>N100</b>	<b>630.00</b>	<b>RN100</b>	<b>POR</b>
12"	<b>N120</b>	<b>1035.00</b>	<b>RN120</b>	<b>POR</b>

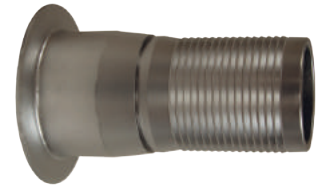


## King Crimp™ Nipples for Floating Flanges

### Feature:

- to be used with King Crimp™ sleeves and/or ferrules

Size	Plated Carbon Steel		316 Stainless Steel	
	Part #	Price/E	Part #	Price/E
2"	<b>N25CS</b>	<b>\$134.85</b>	<b>RN25CS</b>	<b>\$225.00</b>
3"	<b>N35CS</b>	<b>189.35</b>	<b>RN35CS</b>	<b>345.00</b>
4"	<b>N40CS</b>	<b>244.20</b>	<b>RN40CS</b>	<b>457.60</b>
6"	<b>N60CS</b>	<b>496.55</b>	<b>RN60CS</b>	<b>1115.00</b>



## King™ Turned Back Weld-To-Metal Hose Nipples

### Features:

- MSS Type C
- for use with Slip-On and Lap Joint flanges shown on page 726

Size	Length	Phono-Finish Face Schedule 40 Plated Carbon Steel		Phono-Finish Face Schedule 10 304 Stainless Steel		Smooth Face Schedule 10 304 Stainless Steel	
		Part #	Price/E	Part #	Price/E	Part #	Price/E
¾"	2"	<b>NW5</b>	<b>\$26.00</b>	<b>GNW5</b>	<b>\$32.00</b>	<b>GNWP5</b>	<b>\$16.30</b>
1"	2"	<b>NW10</b>	<b>27.05</b>	<b>GNW10</b>	<b>32.65</b>	<b>GNWP10</b>	<b>20.80</b>
1¼"	2"	<b>NW15</b>	<b>41.15</b>	<b>GNW15</b>	<b>50.00</b>	<b>GNWP15</b>	<b>60.10</b>
1½"	2"	<b>NW20</b>	<b>37.70</b>	<b>GNW20</b>	<b>57.00</b>	<b>GNWP20</b>	<b>22.80</b>
2"	2½"	<b>NW25</b>	<b>40.65</b>	<b>GNW25</b>	<b>70.05</b>	<b>GNWP25</b>	<b>28.15</b>
2½"	2½"	<b>NW30</b>	<b>54.00</b>	<b>GNW30</b>	<b>80.00</b>	<b>GNWP30</b>	<b>35.50</b>
3"	2½"	<b>NW35</b>	<b>58.65</b>	<b>GNW35</b>	<b>88.85</b>	<b>GNWP35</b>	<b>51.50</b>
4"	3"	<b>NW40</b>	<b>76.30</b>	<b>GNW40</b>	<b>108.25</b>	<b>GNWP40</b>	<b>55.50</b>
6"	3½"	<b>NW60</b>	<b>114.60</b>	<b>GNW60</b>	<b>255.00</b>	<b>GNWP60</b>	<b>194.80</b>
8"	4"	<b>NW80</b>	<b>146.65</b>	<b>GNW80</b>	<b>525.00</b>	<b>GNWP80</b>	<b>270.30</b>
10"	5"	<b>NW100</b>	<b>295.00</b>	---	---	<b>GNWP100</b>	<b>500.00</b>
12"	6"	<b>NW120</b>	<b>425.00</b>	---	---	<b>GNWP120</b>	<b>526.30</b>



R

## 150 LB. ASA Forged Flanges

## Lap-Joint

## Features:

- no raised face
- The lap joint flange is commonly called a Van Stone or a floating flange.

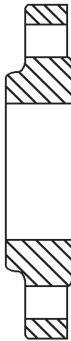


Size	Number of Bolts	Carbon Steel		316 Stainless Steel	
		Part #	Price/E	Part #	Price/E
1"	4	<b>LJ100</b>	<b>\$35.00</b>	---	---
1¼"	4	<b>LJ125</b>	<b>35.00</b>	---	---
1½"	4	<b>LJ150</b>	<b>26.00</b>	<b>LJR150</b>	<b>\$71.50</b>
2"	4	<b>LJ200</b>	<b>27.55</b>	<b>LJR200</b>	<b>125.00</b>
2½"	4	<b>LJ250</b>	<b>60.00</b>	---	---
3"	4	<b>LJ300</b>	<b>45.00</b>	<b>LJR300</b>	<b>190.00</b>
4"	8	<b>LJ400</b>	<b>62.00</b>	<b>LJR400</b>	<b>275.00</b>
5"	8	<b>LJ500</b>	<b>78.00</b>	---	---
6"	8	<b>LJ600</b>	<b>89.00</b>	<b>LJR600</b>	<b>430.00</b>
8"	8	<b>LJ800</b>	<b>158.00</b>	---	---
10"	12	<b>LJ1000</b>	<b>196.00</b>	---	---
12"	12	<b>LJ1200</b>	<b>325.00</b>	---	---

## Slip-On

## Feature:

- raised face



Size	Number of Bolts	Carbon Steel		316 Stainless Steel	
		Part #	Price/E	Part #	Price/E
1"	4	<b>SO100</b>	<b>\$21.50</b>	---	---
1¼"	4	<b>SO125</b>	<b>28.00</b>	---	---
1½"	4	<b>SO150</b>	<b>22.70</b>	<b>SOR150</b>	<b>\$78.00</b>
2"	4	<b>SO200</b>	<b>25.25</b>	<b>SOR200</b>	<b>102.00</b>
2½"	4	<b>SO250</b>	<b>39.50</b>	---	---
3"	4	<b>SO300</b>	<b>41.00</b>	<b>SOR300</b>	<b>170.00</b>
4"	8	<b>SO400</b>	<b>58.00</b>	<b>SOR400</b>	<b>225.00</b>
5"	8	<b>SO500</b>	<b>90.15</b>	---	---
6"	8	<b>SO600</b>	<b>79.00</b>	<b>SOR600</b>	<b>350.00</b>
8"	8	<b>SO800</b>	<b>133.00</b>	---	---
10"	12	<b>SO1000</b>	<b>182.00</b>	---	---
12"	12	<b>SO1200</b>	<b>288.00</b>	---	---

## NPT Threaded

## Feature:

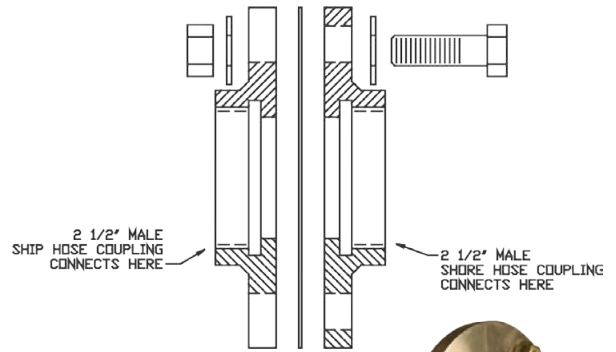
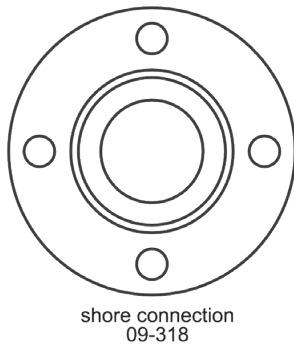
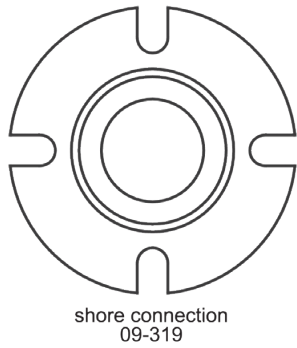
- raised face



Size	Number of Bolts	Carbon Steel		316 Stainless Steel	
		Part #	Price/E	Part #	Price/E
1"	4	<b>T100</b>	<b>\$44.00</b>	---	---
1¼"	4	<b>T125</b>	<b>43.00</b>	---	---
1½"	4	<b>T150</b>	<b>39.00</b>	<b>TR150</b>	<b>\$99.00</b>
2"	4	<b>T200</b>	<b>42.00</b>	<b>TR200</b>	<b>135.00</b>
2½"	4	<b>T250</b>	<b>49.00</b>	---	---
3"	4	<b>T300</b>	<b>50.00</b>	<b>TR300</b>	<b>195.00</b>
4"	8	<b>T400</b>	<b>67.00</b>	<b>TR400</b>	<b>276.80</b>
5"	8	<b>T500</b>	<b>85.00</b>	---	---
6"	8	<b>T600</b>	<b>107.00</b>	<b>TR600</b>	<b>661.50</b>
8"	8	<b>T800</b>	<b>182.00</b>	---	---
10"	12	<b>T1000</b>	<b>520.00</b>	---	---
12"	12	<b>T1200</b>	<b>670.00</b>	---	---

R

## Brass International Shore Connections



**Features:**

- meets US Coast Guard specifications for vessels 1000 gross tons or more
- makes possible the connection of two different threads between ship and shore or between ships
- 7" OD brass flange with 3 3/4" holes
- includes 8 washers, 4 hexagon brass nuts, 4 hex head bolts, 1 washer, 1 fiber gasket
- working pressure: **300 PSI**
- standardly supplied with NST threads, also available in NPT and NYFD threads



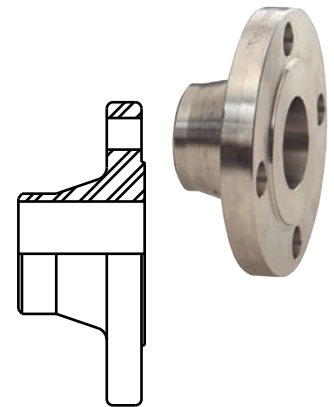
Description	Brass Part #	Price
shore side	09-318-00001	\$353.10
ship side	09-319-00001	353.10

## 150 LB. ASA Forged Flanges Weld Neck

**Feature:**

- raised face

Size	Carbon Steel	
	Part #	Price/E
1"	WN100	\$45.25
1 1/4"	WN125	47.00
1 1/2"	WN150	47.25
2"	WN200	53.00
3"	WN300	62.75
4"	WN400	74.50
5"	WN500	115.00
6"	WN600	113.00
8"	WN800	198.00
10"	WN1000	310.00



## Flange Gaskets

**Features:**

- standard drop-ring type all 1/16" thick
- reference page 788 for joint sealant gasket material
- for dimensional information and diagrams, see pages 838 and 839

Size	Neoprene		Klingsil® C-4401	
	Part #	Price/E	Part #	Price/E
1"	NG10	\$1.60	AG10	\$2.80
1 1/4"	NG15	1.95	AG15	3.10
1 1/2"	NG20	1.95	AG20	3.20
2"	NG25	2.10	AG25	3.35
2 1/2"	NG30	2.80	AG30	4.10
3"	NG35	2.30	AG35	5.30
4"	NG40	3.20	AG40	6.40
5"	NG50	6.70	---	---
6"	NG60	4.15	AG60	9.85
8"	NG80	6.80	AG80	13.75



R



## TTMA Series Flange Adapters

### Features:

- provides a simple and easy way to quickly convert threaded components to a standard TTMA flange configuration
- more durable than welded fabrications due to the solid cast lightweight aluminum design
- design improves flow through adapter even on the 3" reducer
- compact size reduces the overall space needed to install
- for flange drilling standards, see page 839

### Male Threaded



#### TTMA flange x standard male NPT

TTMA Flange	Male NPT	Aluminum	
		Part #	Price/E
3"	3"	<b>TTF3AL-3MT</b>	<b>\$87.50</b>
4"	3"	<b>TTF4AL-3MT</b>	<b>65.90</b>
4"	4"	<b>TTF4AL-4MT</b>	<b>61.10</b>

### Extended Length - Male Threaded



#### TTMA flange x extended length male NPT

TTMA Flange	Male NPT	Aluminum	
		Part #	Price/E
4"	3"	<b>TTF4AL-3EMT</b>	<b>\$87.50</b>
4"	4"	<b>TTF4AL-4EMT</b>	<b>102.15</b>

### Female Threaded



#### TTMA flange x female NPT

TTMA Flange	Female NPT	Aluminum	
		Part #	Price/E
4"	3"	<b>TTF4AL-3FT</b>	<b>\$78.35</b>
4"	4"	<b>TTF4AL-4FT</b>	<b>78.05</b>

### Socket Weld



#### TTMA flange x socket weld

TTMA Flange	Socket Weld	Aluminum	
		Part #	Price/E
4"	4"	<b>TTF400SP</b>	<b>\$67.00</b>

R

## Sight Flow Indicators Bronze

**Applications:**

- verifies flow and monitors color and clarity in fluid lines

**Features:**

- double window snap ring design
- bronze body
- ABS indicator
- tempered soda lime sight glass
- Buna-N seals
- maximum operating pressure: **125 PSI**
- maximum temperature: **200°F**
- made in the USA

**Female NPT x Female NPT**

Size	Overall Length	Width	Height	Bronze		Opt Qty
				Part #	Price/E	
1/2"	3-13/16"	2-7/16"	2-7/16"	<b>SF1631-050</b>	<b>\$379.15</b>	1
3/4"	3-13/16"	2-7/16"	2-7/16"	<b>SF1631-075</b>	<b>405.10</b>	1
1"	4-3/8"	3"	3-1/8"	<b>SF1631-100</b>	<b>514.20</b>	1
1 1/2"	4-5/8"	3-13/16"	4"	<b>SF1631-150</b>	<b>784.25</b>	1
2"	4-5/8"	3-13/16"	4"	<b>SF1631-200</b>	<b>810.25</b>	1

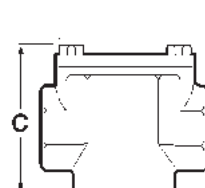
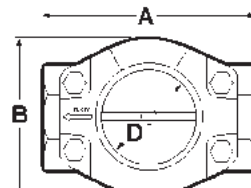
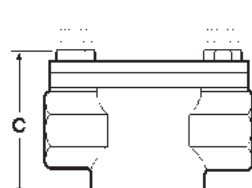
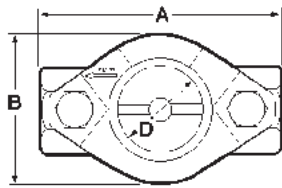
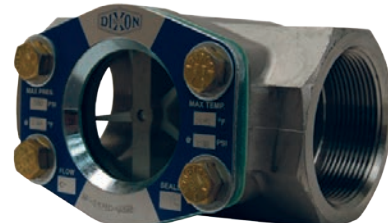
## Stainless Steel

**Applications:**

- verifies flow and monitor color and clarity in fluid lines

**Features:**

- radial sealing method and bolt-on body design provides years of reliable service with no torquing maintenance required
- white acetal resin, 40% glass filled propeller style indicator is standard, best for observations at a distance or with opaque liquids <sup>1</sup>
- tempered soda lime sight glass <sup>2</sup>
- FKM seals are standard <sup>3</sup>
- maximum operating pressure: **200 PSI at 150°F**
- maximum temperature: **225°F at 150 PSI**
- made in the USA

**Female NPT x Female NPT <sup>4</sup>**

Size	Overall Length A	Width B	Height C	Diameter of Sight Opening D	Weight	Stainless Steel		Opt Qty
						Part #	Price/E	
1/2"	3 3/4"	2"	2-3/8"	1 1/8"	1.4	<b>SF1471-050</b>	<b>\$794.65</b>	1
3/4"	4 1/4"	2-9/16"	3-1/4"	1 1/2"	3.0	<b>SF1471-075</b>	<b>857.00</b>	1
1"	4 1/4"	2-9/16"	3-1/4"	1 1/2"	2.7	<b>SF1471-100</b>	<b>1080.30</b>	1
1 1/2"	5 5/8"	3-5/16"	4-5/16"	2"	7.9	<b>SF1471-150</b>	<b>1433.50</b>	1
2"	5 5/8"	3-5/16"	4-5/16"	2"	6.6	<b>SF1471-200</b>	<b>1687.95</b>	1

<sup>1</sup> Plain, flapper or drip tube style indicators are available, as are PTFE indicators. Consult Dixon™ for price and availability.

<sup>2</sup> Special units with tempered Borosilicate glass are available. Consult Dixon™ for price and availability.

<sup>3</sup> PTFE, EPR and Buna-N seals are available. Consult Dixon™ for price and availability.

<sup>4</sup> 150# flanged units, as well as other metals, are also available. Consult Dixon™ for price and availability.

## NPT Threaded Reducer Hex Bushings



Male NPT	Female NPT	150# Iron		150# Galvanized Iron		150# 316 Stain. Steel		3000# Forged Steel		125# Brass	
		Part #	Price/E	Part #	Price/E	Part #	Price/E	Part #	Price/E	Part #	Price/E
1/4"	1/8"	HB2518	\$4.50	HB2518G	\$6.45	HB2518SS	\$3.70	HB2518FS	\$4.80	HB1F2M	\$2.10
3/8"	1/8"	HB3818	4.50	---	---	---	---	---	---	HB1F3M	2.99
3/8"	1/4"	HB3825	4.50	HB3825G	6.45	HB3825SS	4.25	HB3825FS	4.80	HB2F3M	2.73
1/2"	1/8"	HB5018	4.50	---	---	---	---	---	---	HB1F4M	4.79
1/2"	1/4"	HB5025	4.50	HB5025G	6.45	HB5025SS	5.45	HB5025FS	4.90	HB2F4M	4.27
1/2"	3/8"	HB5038	4.50	HB5038G	6.45	HB5038SS	5.45	HB5038FS	4.90	HB3F4M	3.61
3/4"	1/8"	HB7518	4.40	---	---	---	---	---	---	HB1F6M	7.70
3/4"	1/4"	HB7525	4.40	HB7525G	6.65	HB7525SS	8.10	HB7525FS	5.95	HB2F6M	7.85
3/4"	3/8"	HB7538	4.40	HB7538G	7.40	HB7538SS	8.10	HB7538FS	5.95	HB3F6M	6.95
3/4"	1/2"	HB7550	4.05	HB7550G	6.00	HB7550SS	8.65	HB7550FS	5.95	HB4F6M	7.20
1"	1/8"	HB1018	5.10	---	---	---	---	---	---	---	---
1"	1/4"	HB1025	5.45	HB1025G	7.90	HB1025SS	12.20	HB1025FS	9.50	HB2F8M	15.50
1"	3/8"	HB1038	5.60	HB1038G	12.40	HB1038SS	11.85	HB1038FS	9.50	HB3F8M	14.86
1"	1/2"	HB1050	4.20	HB1050G	7.15	HB1050SS	11.45	HB1050FS	9.50	HB4F8M	14.08
1"	3/4"	HB1075	4.20	HB1075G	6.75	HB1075SS	11.45	HB1075FS	9.50	HB6F8M	11.60
1 1/4"	1/2"	HB1250	6.00	---	---	---	---	---	---	---	---
1 1/4"	3/4"	HB1275	5.40	---	---	HB1275SS	20.50	HB1275FS	15.60	---	---
1 1/4"	1"	HB1210	5.40	HB1210G	9.15	HB1210SS	20.50	HB1210FS	15.60	HB1210B	21.60
1 1/2"	1/2"	HB1550	6.85	---	---	---	---	---	---	---	---
1 1/2"	3/4"	HB1575	6.85	HB1575G	13.25	HB1575SS	24.15	HB1575FS	17.70	HB1575B	33.75
1 1/2"	1"	HB1510	6.00	HB1510G	11.90	HB1510SS	24.15	HB1510FS	17.70	HB1510B	27.60
1 1/2"	1 1/4"	HB1512	6.85	HB1512G	11.00	HB1512SS	24.15	HB1512FS	17.70	HB1512B	27.60
2"	1/2"	HB2050	10.30	HB2050G	16.50	---	---	---	---	HB2050B	49.50
2"	3/4"	HB2075	8.75	HB2075G	15.40	HB2075SS	35.90	HB2075FS	26.85	HB2075B	49.50
2"	1"	HB2010	8.20	HB2010G	14.50	HB2010SS	35.90	HB2010FS	26.85	HB2010B	49.15
2"	1 1/4"	HB2012	8.20	HB2012G	14.50	HB2012SS	35.90	HB2012FS	26.85	HB2012B	40.90
2"	1 1/2"	HB2015	9.15	HB2015G	12.75	HB2015SS	38.40	HB2015FS	26.85	HB2015B	40.90
2 1/2"	1 1/2"	HB2515	13.80	---	---	---	---	---	---	HB2515B	84.25
2 1/2"	2"	HB2520	13.75	HB2520G	20.80	HB2520SS	64.40	HB2520FS	85.00	HB2520B	82.00
3"	1"	HB3010	20.60	---	---	---	---	---	---	---	---
3"	1 1/2"	HB3015	20.20	---	---	---	---	---	---	---	---
3"	2"	HB3020	18.90	HB3020G	28.00	HB3020SS	94.40	HB3020FS	135.20	HB3020B	123.75
3"	2 1/2"	HB3025	19.10	---	---	HB3025SS	92.15	HB3025FS	135.20	HB3025B	123.65
4"	1"	HB4010	39.40	---	---	---	---	---	---	---	---
4"	1 1/2"	HB4015	39.40	---	---	---	---	---	---	---	---
4"	2"	HB4020	37.25	HB4020G	58.25	HB4020SS	162.00	---	---	HB4020B	371.15
4"	2 1/2"	HB4025	37.25	---	---	---	---	---	---	---	---
4"	3"	HB4030	37.25	HB4030G	61.75	HB4030SS	162.00	HB4030FS	291.20	HB4030B	283.45
5"	4"	HB5040	68.00	---	---	---	---	---	---	---	---
6"	3"	HB6030	98.50	---	---	---	---	---	---	---	---
6"	4"	HB6040	98.50	---	---	---	---	---	---	---	---

R

## NPT Threaded Reducing Union



Female NPT	Female NPT	150# Iron	
		Part #	Price/E
3/4"	1/2"	MIRU7550	\$21.50

## NPT Threaded Unions



## Features:

- other sizes are also available
- 304 stainless steel fittings are also available, consult Dixon™ for pricing and availability

Female NPT	300# Iron		150# Iron		150# Galvanized Iron		150# 316 Stain. Steel		3000# Forged Steel		125# Brass	
	Part #	Price/E	Part #	Price/E	Part #	Price/E	Part #	Price/E	Part #	Price/E	Part #	Price/E
1/8"	---	---	<b>MIU18</b>	<b>\$18.10</b>	---	---	---	---	---	---	---	---
1/4"	---	---	<b>MIU25</b>	17.20	---	---	<b>TUN025SS</b>	<b>\$19.20</b>	---	---	<b>TUN2F</b>	<b>\$27.50</b>
3/8"	---	---	<b>MIU38</b>	11.60	<b>TUN038G</b>	<b>\$13.75</b>	<b>TUN038SS</b>	22.50	---	---	<b>TUN3F</b>	27.50
1/2"	<b>300MIU50</b>	<b>\$29.30</b>	<b>MIU50</b>	11.10	<b>TUN050G</b>	13.90	<b>TUN050SS</b>	21.25	<b>TUN050FS</b>	<b>\$27.60</b>	<b>TUN4F</b>	29.90
3/4"	<b>300MIU75</b>	<b>32.45</b>	<b>MIU75</b>	13.25	<b>TUN075G</b>	16.50	<b>TUN075SS</b>	27.00	<b>TUN075FS</b>	33.05	<b>TUN5F</b>	41.00
1"	<b>300MIU100</b>	<b>42.35</b>	<b>MIU100</b>	17.30	<b>TUN100G</b>	20.50	<b>TUN100SS</b>	41.40	<b>TUN100FS</b>	43.20	<b>TUN6F</b>	54.50
1 1/4"	---	---	<b>MIU125</b>	22.90	<b>TUN125G</b>	27.80	<b>TUN125SS</b>	70.00	---	---	<b>TUN7F</b>	79.50
1 1/2"	<b>300MIU150</b>	<b>72.25</b>	<b>MIU150</b>	28.00	<b>TUN150G</b>	35.75	<b>TUN150SS</b>	79.00	<b>TUN150FS</b>	83.75	<b>TUN8F</b>	94.70
2"	---	---	<b>MIU200</b>	42.25	<b>TUN200G</b>	47.60	<b>TUN200SS</b>	101.90	<b>TUN200FS</b>	108.95	<b>TUN9F</b>	145.00
2 1/2"	---	---	<b>MIU250</b>	102.00	---	---	---	---	---	---	---	---
3"	<b>300MIU300</b>	<b>373.25</b>	<b>MIU300</b>	123.75	---	---	---	---	---	---	---	---
4"	---	---	<b>MIU400</b>	306.00	---	---	---	---	---	---	---	---

## NPT Threaded Bell Reducers



## Features:

- other sizes are also available
- 304 stainless steel fittings are also available, consult Dixon™ for pricing and availability

Female NPT	Female NPT	300# Iron		150# Iron		150# Galvanized Iron		150# 316 Stain. Steel		3000# Forged Steel		125# Brass	
		Part #	Price/E	Part #	Price/E	Part #	Price/E	Part #	Price/E	Part #	Price/E	Part #	Price/E
1/4"	1/8"	---	---	<b>BR1418</b>	<b>\$4.05</b>	---	---	---	---	---	---	<b>RC2F1F<sup>2</sup></b>	<b>\$4.80</b>
3/8"	1/8"	---	---	<b>BR3818</b>	4.05	---	---	---	---	---	---	<b>RC3F1F</b>	6.44
3/8"	1/4"	---	---	<b>BR3825</b>	4.05	---	---	<b>BR3825SS</b>	<b>\$6.80</b>	---	---	<b>RC3F2F<sup>2</sup></b>	5.34
1/2"	1/4"	<b>300BR5025</b>	<b>\$25.15</b>	<b>BR5025</b>	3.70	<b>BR5025G</b>	<b>\$4.60</b>	<b>BR5025SS</b>	9.25	---	---	<b>RC4F2F<sup>2</sup></b>	7.32
1/2"	3/8"	---	---	<b>BR5038</b>	3.50	<b>BR5038G</b>	4.30	<b>BR5038SS</b>	8.60	<b>BR5038FS</b>	<b>\$14.60</b>	<b>BR5038B<sup>1</sup></b>	10.50
3/4"	1/4"	---	---	<b>BR7525</b>	4.60	---	---	---	---	---	---	---	---
3/4"	3/8"	---	---	<b>BR7538</b>	4.60	---	---	<b>BR7538SS</b>	11.85	---	---	<b>RC6F3F</b>	11.91
3/4"	1/2"	<b>300BR7550</b>	<b>25.70</b>	<b>BR7550</b>	4.00	<b>BR7550G</b>	5.00	<b>BR7550SS</b>	11.10	<b>BR7550FS</b>	37.45	<b>BR7550B<sup>1</sup></b>	15.50
1"	1/4"	---	---	<b>BR1025</b>	7.10	---	---	---	---	---	---	---	---
1"	3/8"	---	---	<b>BR1038</b>	7.20	---	---	---	---	---	---	---	---
1"	1/2"	---	---	<b>BR1050</b>	6.25	<b>BR1050G</b>	8.35	<b>BR1050SS</b>	16.80	---	---	<b>BR1050B</b>	26.00
1"	3/4"	<b>300BR1075</b>	<b>30.70</b>	<b>BR1075</b>	6.25	<b>BR1075G</b>	7.75	<b>BR1075SS</b>	16.80	<b>BR1075FS</b>	22.65	<b>BR1075B</b>	25.40
1 1/4"	1/2"	---	---	<b>BR1250</b>	8.95	---	---	---	---	---	---	---	---
1 1/4"	3/4"	---	---	<b>BR1275</b>	7.80	---	---	---	---	---	---	---	---
1 1/4"	1"	<b>300BR1210</b>	<b>40.35</b>	<b>BR1210</b>	7.80	<b>BR1210G</b>	10.60	<b>BR1210SS</b>	22.00	---	---	<b>BR1210B</b>	41.00
1 1/2"	3/4"	---	---	<b>BR1575</b>	12.90	---	---	---	---	---	---	<b>BR1575B</b>	64.60
1 1/2"	1"	<b>300BR1510</b>	<b>55.35</b>	<b>BR1510</b>	11.40	<b>BR1510G</b>	13.70	<b>BR1510SS</b>	29.25	<b>BR1510FS</b>	40.60	<b>BR1510B</b>	51.70
1 1/2"	1 1/4"	<b>300BR1512</b>	<b>62.95</b>	<b>BR1512</b>	9.85	<b>BR1512G</b>	12.90	<b>BR1512SS</b>	29.25	<b>BR1512FS</b>	40.60	---	---
2"	3/4"	---	---	<b>BR2075</b>	16.30	---	---	---	---	---	---	---	---
2"	1"	<b>300BR2010</b>	<b>80.20</b>	<b>BR2010</b>	15.40	<b>BR2010G</b>	18.60	<b>BR2010SS</b>	49.50	<b>BR2010FS</b>	58.90	<b>BR2010B</b>	86.50
2"	1 1/4"	<b>300BR2012</b>	<b>94.50</b>	<b>BR2012</b>	16.30	---	---	---	---	---	---	---	---
2"	1 1/2"	<b>300BR2015</b>	<b>119.60</b>	<b>BR2015</b>	14.25	<b>BR2015G</b>	18.65	<b>BR2015SS</b>	49.95	<b>BR2015FS</b>	58.90	<b>BR2015B</b>	77.00
2 1/2"	1"	---	---	<b>BR2510</b>	41.50	---	---	---	---	---	---	---	---
2 1/2"	1 1/2"	---	---	<b>BR2515</b>	42.40	---	---	---	---	---	---	---	---
2 1/2"	2"	---	---	<b>BR2520</b>	36.40	<b>BR2520G</b>	57.75	---	---	---	---	<b>BR2520B</b>	134.50
3"	1"	---	---	<b>BR3010</b>	57.75	---	---	---	---	---	---	---	---
3"	1 1/4"	---	---	<b>BR3012</b>	61.80	---	---	---	---	---	---	---	---
3"	1 1/2"	---	---	<b>BR3015</b>	56.50	---	---	---	---	---	---	---	---
3"	2"	---	---	<b>BR3020</b>	47.00	<b>BR3020G</b>	72.25	<b>BR3020SS</b>	146.00	---	---	<b>BR3020B</b>	180.20
3"	2 1/2"	---	---	<b>BR3025</b>	56.50	<b>BR3025G</b>	76.50	---	---	---	---	---	---
4"	1"	---	---	<b>BR4010</b>	113.50	---	---	---	---	---	---	---	---
4"	1 1/2"	---	---	<b>BR4015</b>	114.00	---	---	---	---	---	---	---	---
4"	2"	---	---	<b>BR4020</b>	114.00	---	---	---	---	---	---	---	---
4"	2 1/2"	---	---	<b>BR4025</b>	114.00	---	---	---	---	---	---	---	---
4"	3"	---	---	<b>BR4030</b>	114.00	<b>BR4030G</b>	165.75	---	---	---	---	<b>BR4030B</b>	428.25
6"	3"	---	---	<b>BR6030</b>	285.00	---	---	---	---	---	---	---	---
6"	4"	---	---	<b>BR6040</b>	285.00	---	---	---	---	---	---	---	---

<sup>1</sup> items will be discontinued as stock is depleted

<sup>2</sup> sizes are manufactured from bar stock

## NPT Threaded Couplings - Both Ends



Female NPT	300# Iron		150# Iron		150# Galvanized Iron		150# 316 Stain.Steel		3000# Forged Steel		125# Brass	
	Part #	Price/E	Part #	Price/E	Part #	Price/E	Part #	Price/E	Part #	Price/E	Part #	Price/E
1/8"	---	---	<b>RHC18</b>	\$4.95	<b>RHC18G</b>	\$5.75	---	---	---	---	---	---
1/4"	<b>300RHC25</b>	\$15.80	<b>RHC25</b>	4.20	<b>RHC25G</b>	5.35	<b>RHC25SS</b>	\$4.55	<b>RHC25FS</b>	\$7.55	<b>RHC25B</b>	\$8.55
3/8"	<b>300RHC38</b>	15.80	<b>RHC38</b>	4.20	<b>RHC38G</b>	5.35	<b>RHC38SS</b>	5.70	<b>RHC38FS</b>	7.55	<b>RHC38B</b>	7.75
1/2"	<b>300RHC50</b>	17.65	<b>RHC50</b>	3.40	<b>RHC50G</b>	4.30	<b>RHC50SS</b>	7.65	<b>RHC50FS</b>	6.50	<b>RHC50B</b>	9.65
3/4"	<b>300RHC75</b>	20.25	<b>RHC75</b>	4.00	<b>RHC75G</b>	4.95	<b>RHC75SS</b>	11.35	<b>RHC75FS</b>	8.35	<b>RHC75B</b>	12.70
1"	<b>300RHC100</b>	23.20	<b>RHC100</b>	6.05	<b>RHC100G</b>	8.15	<b>RHC100SS</b>	15.85	<b>RHC100FS</b>	14.85	<b>RHC100B</b>	19.25
1 1/4"	<b>300RHC125</b>	27.55	<b>RHC125</b>	7.80	<b>RHC125G</b>	11.25	<b>RHC125SS</b>	21.15	<b>RHC125FS</b>	24.65	<b>RHC125B</b>	31.00
1 1/2"	<b>300RHC150</b>	41.25	<b>RHC150</b>	10.40	<b>RHC150G</b>	12.80	<b>RHC150SS</b>	29.65	<b>RHC150FS</b>	31.75	<b>RHC150B</b>	40.90
2"	<b>300RHC200</b>	59.40	<b>RHC200</b>	15.10	<b>RHC200G</b>	18.60	<b>RHC200SS</b>	43.70	<b>RHC200FS</b>	38.00	<b>RHC200B</b>	67.30
2 1/2"	---	---	<b>RHC250</b>	41.00	---	---	---	---	---	---	---	---
3"	---	---	<b>RHC300</b>	55.75	<b>RHC300G</b>	76.00	<b>RHC300SS</b>	114.40	---	---	---	---
4"	---	---	<b>RHC400</b>	111.00	<b>RHC400G</b>	161.50	<b>RHC400SS</b>	177.75	---	---	---	---
5"	---	---	<b>RHC500</b>	436.90	---	---	---	---	---	---	---	---
6"	---	---	<b>RHC600</b>	297.75	---	---	---	---	---	---	---	---

## NPT Threaded 90° Threaded Elbows



forged steel



brass

## Features:

- other sizes are also available
- 304 stainless steel fittings are also available, consult Dixon™ for pricing and availability

Female NPT	300# Iron		150# Iron		150# Galvanized Iron		150# 316 Stain. Steel		2000# Forged Steel		125# Brass	
	Part #	Price/E	Part #	Price/E	Part #	Price/E	Part #	Price/E	Part #	Price/E	Part #	Price/E
1/8"	---	---	<b>EL9018</b>	\$3.55	<b>EL9018G</b>	\$4.85	<b>EL9018SS</b>	\$6.40	---	---	<b>EL1F1F<sup>1</sup></b>	\$4.50
1/4"	<b>300EL9025</b>	\$17.55	<b>EL9025</b>	3.35	<b>EL9025G</b>	4.60	<b>EL90025SS</b>	6.40	<b>EL9025FS</b>	\$20.80	<b>EL2F2F<sup>1</sup></b>	7.11
3/8"	<b>300EL9038</b>	15.60	<b>EL9038</b>	3.35	<b>EL9038G</b>	4.60	<b>EL90038SS</b>	7.80	<b>EL9038FS</b>	20.80	<b>EL3F3F<sup>1</sup></b>	9.69
1/2"	<b>300EL9050</b>	20.15	<b>EL9050</b>	2.50	<b>EL9050G</b>	3.05	<b>EL90050SS</b>	8.60	<b>EL9050FS</b>	15.90	<b>EL4F4F<sup>1</sup></b>	17.85
3/4"	<b>300EL9075</b>	22.80	<b>EL9075</b>	3.05	<b>EL9075G</b>	3.65	<b>EL90075SS</b>	12.50	<b>EL9075FS</b>	19.80	<b>EL6F6F<sup>1</sup></b>	26.50
1"	<b>300EL90100</b>	30.80	<b>EL90100</b>	5.35	<b>EL90100G</b>	6.85	<b>EL90100SS</b>	17.60	<b>EL90100FS</b>	28.60	<b>EL90100B</b>	24.50
1 1/4"	<b>300EL90125</b>	42.45	<b>EL90125</b>	8.65	<b>EL90125G</b>	10.50	<b>EL90125SS</b>	26.80	<b>EL90125FS</b>	57.50	---	---
1 1/2"	<b>300EL90150</b>	50.05	<b>EL90150</b>	11.40	<b>EL90150G</b>	13.90	<b>EL90150SS</b>	35.90	<b>EL90150FS</b>	73.00	<b>EL90150B</b>	48.00
2"	<b>300EL90200</b>	72.00	<b>EL90200</b>	19.50	<b>EL90200G</b>	23.10	<b>EL90200SS</b>	47.35	<b>EL90200FS</b>	92.05	<b>EL90200B</b>	78.00
2 1/2"	---	---	<b>EL90250</b>	42.30	---	---	---	---	---	---	---	---
3"	---	---	<b>EL90300</b>	63.00	<b>EL90300G</b>	96.90	<b>EL90300SS</b>	149.00	---	---	---	---
4"	---	---	<b>EL90400</b>	134.00	<b>EL90400G</b>	167.50	<b>EL90400SS</b>	251.00	---	---	---	---
5"	---	---	<b>EL90500</b>	298.00	---	---	---	---	---	---	---	---
6"	---	---	<b>EL90600</b>	502.00	---	---	---	---	---	---	---	---

<sup>1</sup> The picture for sizes 1/8" - 3/4" can be found on page 345, both are functionally the same.

## NPT Threaded 90° Street Elbows

**Features:**

- other sizes are also available
- 304 stainless steel fittings are also available, *consult Dixon™ for pricing and availability*



150# iron



forged steel



brass

Male NPT	Female NPT	150# Iron		150# Galvanized Iron		150# 316 Stain. Steel		3000# Forged Steel		125# Brass	
		Part #	Price/E	Part #	Price/E	Part #	Price/E	Part #	Price/E	Part #	Price/E
1/8"	1/8"	<b>SE9018</b>	\$5.05	<b>SE9018G</b>	\$6.55	<b>SE9018SS</b>	\$8.60	---	---	<b>SE1F1M<sup>1</sup></b>	\$4.41
1/4"	1/4"	<b>SE9025</b>	5.05	<b>SE9025G</b>	6.30	<b>SE9025SS</b>	8.75	<b>SE9025FS</b>	\$31.20	<b>SE2F2M<sup>1</sup></b>	7.03
3/8"	3/8"	<b>SE9038</b>	5.05	<b>SE9038G</b>	6.30	<b>SE9038SS</b>	10.80	<b>SE9038FS</b>	30.70	<b>SE3F3M<sup>1</sup></b>	9.71
1/2"	1/2"	<b>SE9050</b>	5.20	<b>SE9050G</b>	6.50	<b>SE9050SS</b>	12.70	<b>SE9050FS</b>	30.70	<b>SE4F4M<sup>1</sup></b>	17.35
3/4"	3/4"	<b>SE9075</b>	5.05	<b>SE9075G</b>	6.30	<b>SE9075SS</b>	16.70	<b>SE9075FS</b>	38.00	<b>SE9075B</b>	20.50
1"	1"	<b>SE9010</b>	7.30	<b>SE9010G</b>	8.60	<b>SE9010SS</b>	26.75	<b>SE9010FS</b>	51.50	<b>SE9010B</b>	33.75
1 1/4"	1 1/4"	<b>SE9012</b>	11.10	<b>SE9012G</b>	14.40	<b>SE9012SS</b>	39.75	<b>SE9012FS</b>	91.80	<b>SE9012B</b>	51.70
1 1/2"	1 1/2"	<b>SE9015</b>	14.90	<b>SE9015G</b>	17.80	<b>SE9015SS</b>	52.00	<b>SE9015FS</b>	111.05	<b>SE9015B</b>	67.50
2"	2"	<b>SE9020</b>	24.00	<b>SE9020G</b>	30.75	<b>SE9020SS</b>	64.00	<b>SE9020FS</b>	162.95	<b>SE9020B</b>	114.50
2 1/2"	2 1/2"	<b>SE90250</b>	59.50	---	---	---	---	---	---	---	---
3"	3"	<b>SE90300</b>	90.75	<b>SE9030G</b>	126.00	---	---	---	---	---	---
4"	4"	<b>SE90400</b>	147.80	---	---	---	---	---	---	---	---
6"	6"	<b>SE90600</b>	486.60	---	---	---	---	---	---	---	---

<sup>1</sup> The picture for sizes 1/8" - 1/2" can be found on page 345, both are functionally the same.

## NPT Threaded Reducing Elbows

**Feature:**

- other sizes are also available, consult Dixon™ for pricing and availability

Female NPT	Female NPT	150# Iron	
		Part #	Price/E
1/4"	1/8"	<b>REL2518</b>	\$6.55
1/2"	1/4"	<b>REL5025</b>	4.70
1/2"	3/8"	<b>REL5038</b>	4.60
3/4"	1/2"	<b>REL7550</b>	4.75
1"	1/2"	<b>REL1050</b>	6.45
1"	3/4"	<b>REL1075</b>	6.10
1 1/4"	1"	<b>REL1210</b>	9.90
1 1/2"	1"	<b>REL1510</b>	16.25
1 1/2"	1 1/4"	<b>REL1525</b>	16.25
2"	1"	<b>REL2010</b>	23.40
2"	1 1/2"	<b>REL2015</b>	20.60
2 1/2"	2"	<b>REL2520</b>	56.30
3"	2"	<b>REL3020</b>	91.00
4"	2"	<b>REL4020</b>	156.00
4"	3"	<b>REL4030</b>	156.00



R

## NPT Threaded 45° Street Elbows



Size	150# Iron		150# Galvanized Iron	
	Part #	Price/E	Part #	Price/E
1/8"	SE4518	\$7.85	---	---
1/4"	SE4525	5.90	SE4525G	\$7.75
3/8"	SE4538	6.65	---	---
1/2"	SE4550	5.35	SE4550G	6.80
3/4"	SE4575	8.25	SE4575G	11.10
1"	SE45100	9.55	---	---
1 1/4"	SE45125	16.50	SE45125G	20.50
1 1/2"	SE45150	20.50	SE45150G	24.75
2"	SE45200	34.60	SE45200G	42.50
2 1/2"	SE45250	73.50	SE45250G	100.00
3"	SE45300	112.60	SE45300G	149.50
4"	SE45400	211.00	SE45400G	243.10

## NPT Threaded 45° Threaded Elbows



Female NPT	150# Iron	
	Part #	Price/E
1/8"	EL4518	\$5.10
1/4"	EL4525	5.20
3/8"	EL4538	4.70
1/2"	EL4550	4.10
3/4"	EL4575	5.00
1"	EL45100	6.35
1 1/4"	EL45125	11.10
1 1/2"	EL45150	13.75
2"	EL45200	20.75
2 1/2"	EL45250	58.40
3"	EL45300	75.90
4"	EL45400	147.25
5"	EL45500	488.25
6"	EL45600	502.00

## NPT Threaded Female Tees



150# iron



forged steel

Female NPT	300# Iron		150# Iron		150# Galvanized Iron		150# 316 Stain. Steel		2000# Forged Steel		125# Brass	
	Part #	Price/E	Part #	Price/E	Part #	Price/E	Part #	Price/E	Part #	Price/E	Part #	Price/E
1/8"	---	---	FT18	\$5.55	---	---	---	---	---	---	322-0202 <sup>1</sup>	\$5.00
1/4"	300FT25	\$22.05	FT25	5.05	FT25G	\$6.00	FT25SS	\$8.00	FT25FS	\$25.30	322-0404 <sup>1</sup>	8.60
3/8"	300FT38	23.35	FT38	5.05	FT38G	6.00	FT38SS	10.60	---	---	322-0606 <sup>1</sup>	11.61
1/2"	300FT50	29.70	FT50	3.30	FT50G	3.70	FT50SS	11.20	FT50FS	22.80	322-0808 <sup>1</sup>	22.28
3/4"	---	---	FT75	4.65	FT75G	6.20	FT75SS	16.50	FT75FS	30.50	FT75B	19.40
1"	300FT10	38.60	FT10	8.20	FT100G	10.10	FT10SS	23.40	FT100FS	39.25	FT10B	34.50
1 1/4"	300FT120	55.30	FT120	13.30	FT120G	16.00	FT120SS	41.00	FT120FS	78.65	---	---
1 1/2"	---	---	FT15	16.50	FT150G	20.00	FT150SS	50.00	FT150FS	91.80	FT15B	66.10
2"	300FT200	95.15	FT200	28.00	FT200G	33.30	FT200SS	65.00	FT200FS	119.60	FT20B	108.25
2 1/2"	---	---	FT250	57.70	---	---	---	---	---	---	---	---
3"	---	---	FT30	86.60	FT300G	104.90	---	---	---	---	---	---
4"	---	---	FT40	203.40	FT400G	247.90	---	---	---	---	---	---
5"	---	---	FT500	548.25	---	---	---	---	---	---	---	---
6"	---	---	FT60	581.10	---	---	---	---	---	---	---	---

<sup>1</sup> The picture for sizes 1/8" - 1/2" can be found on page 345, both are functionally the same.

## NPT Threaded Side Outlet Elbows

Female NPT	150# Iron	
	Part #	Price/E
1/8"	<b>SOE18</b>	<b>\$11.10</b>
1/4"	<b>SOE25</b>	<b>11.10</b>
3/8"	<b>SOE38</b>	<b>11.10</b>
1/2"	<b>SOE50</b>	<b>11.10</b>
3/4"	<b>SOE75</b>	<b>11.90</b>
1"	<b>SOE100</b>	<b>30.45</b>
1 1/4"	<b>SOE120</b>	<b>37.50</b>
1 1/2"	<b>SOE150</b>	<b>35.65</b>
2"	<b>SOE200</b>	<b>68.50</b>



## NPT Threaded Female Reducing Tees

Female NPT	Female NPT	150# Iron	
		Part #	Price/E
3/8"	1/4"	<b>FRT3825</b>	<b>\$6.75</b>
1/2"	3/8"	<b>FRT5038</b>	<b>7.00</b>
3/4"	1/2"	<b>FRT7550</b>	<b>7.15</b>
1"	1/2"	<b>FRT1050</b>	<b>9.15</b>
1 1/4"	1"	<b>FRT1210</b>	<b>14.50</b>
1 1/2"	1"	<b>FRT1510</b>	<b>18.30</b>
2"	1"	<b>FRT2010</b>	<b>28.70</b>
2"	1 1/2"	<b>FRT2015</b>	<b>30.25</b>
3"	2"	<b>FRT3020</b>	<b>100.25</b>



## NPT Threaded Street Service Tees

NPT	150# Iron	
	Part #	Price/E
1/2"	<b>SST50</b>	<b>\$11.75</b>
3/4"	<b>SST75</b>	<b>15.90</b>
1"	<b>SST100</b>	<b>21.00</b>
1 1/2"	<b>SST150</b>	<b>48.00</b>



## NPT Threaded Bull Head Tees

Female NPT	Female NPT	150# Iron	
		Part #	Price/E
1/2"	3/4"	<b>BHT1575</b>	<b>\$8.15</b>
1/2"	1"	<b>BHT1510</b>	<b>11.90</b>
3/4"	1"	<b>BHT7510</b>	<b>10.40</b>
1"	1 1/2"	<b>BHT1015</b>	<b>28.75</b>
1"	2"	<b>BHT1020</b>	<b>35.20</b>
1 1/2"	2"	<b>BHT1520</b>	<b>35.20</b>
2"	2 1/2"	<b>BHT2025</b>	<b>75.25</b>



R

## NPT Threaded Side Outlet Tees

Female NPT	150# Iron	
	Part #	Price/E
1/2"	<b>SOT50</b>	<b>\$14.40</b>
3/4"	<b>SOT75</b>	<b>26.00</b>
1"	<b>SOT100</b>	<b>33.65</b>
1 1/4"	<b>SOT120</b>	<b>68.00</b>
1 1/2"	<b>SOT150</b>	<b>75.35</b>
2"	<b>SOT200</b>	<b>76.50</b>





## NPT Threaded Crosses



Female NPT	Part #	Price/E
1/8"	<b>MIC18</b>	<b>\$12.10</b>
1/4"	<b>MIC25</b>	<b>10.30</b>
3/8"	<b>MIC38</b>	<b>10.50</b>
1/2"	<b>MIC50</b>	<b>11.90</b>
3/4"	<b>MIC75</b>	<b>14.50</b>
1"	<b>MIC100</b>	<b>17.90</b>
1 1/4"	<b>MIC125</b>	<b>29.00</b>
1 1/2"	<b>MIC150</b>	<b>36.00</b>
2"	<b>MIC200</b>	<b>59.50</b>
2 1/2"	<b>MIC250</b>	<b>105.00</b>
3"	<b>MIC300</b>	<b>156.50</b>
4"	<b>MIC400</b>	<b>319.50</b>

## NPT Threaded Caps



## Features:

- other sizes are also available
- 304 stainless steel fittings are also available, *consult Dixon™ for pricing and availability*

Female NPT	300# Iron		150# Iron		150# Galvanized Iron		150# 316 Stainless Steel	
	Part #	Price/E	Part #	Price/E	Part #	Price/E	Part #	Price/E
1/8"	---	---	<b>MICAP18</b>	<b>\$3.30</b>	---	---	<b>SSCAP18</b>	<b>\$3.35</b>
1/4"	---	---	<b>MICAP25</b>	<b>3.30</b>	---	---	<b>SSCAP25</b>	<b>4.10</b>
3/8"	---	---	<b>MICAP38</b>	<b>3.30</b>	---	---	<b>SSCAP38</b>	<b>4.90</b>
1/2"	<b>300MICAP50</b>	<b>\$16.10</b>	<b>MICAP50</b>	<b>2.50</b>	<b>MICAP50G</b>	<b>\$3.20</b>	<b>SSCAP50</b>	<b>5.60</b>
3/4"	<b>300MICAP75</b>	<b>20.25</b>	<b>MICAP75</b>	<b>3.40</b>	<b>MICAP75G</b>	<b>4.60</b>	<b>SSCAP75</b>	<b>7.40</b>
1"	<b>300MICAP100</b>	<b>26.60</b>	<b>MICAP100</b>	<b>4.10</b>	---	---	<b>SSCAP10</b>	<b>9.85</b>
1 1/4"	<b>300MICAP125</b>	<b>29.45</b>	<b>MICAP120</b>	<b>5.35</b>	---	---	<b>SSCAP12</b>	<b>19.50</b>
1 1/2"	<b>300MICAP150</b>	<b>43.05</b>	<b>MICAP150</b>	<b>7.30</b>	---	---	<b>SSCAP15</b>	<b>25.00</b>
2"	<b>300MICAP200</b>	<b>59.75</b>	<b>MICAP200</b>	<b>9.55</b>	<b>MICAP200G</b>	<b>11.80</b>	<b>SSCAP20</b>	<b>36.75</b>
2 1/2"	---	---	<b>MICAP250</b>	<b>23.70</b>	---	---	---	---
3"	---	---	<b>MICAP300</b>	<b>35.20</b>	---	---	---	---
4"	---	---	<b>MICAP400</b>	<b>55.00</b>	---	---	---	---
5"	---	---	<b>MICAP500</b>	<b>115.50</b>	---	---	---	---
6"	---	---	<b>MICAP600</b>	<b>219.50</b>	---	---	---	---

## NPT Threaded Square Head Plugs



## Feature:

- forged steel plugs are solid, all others are cored

Male NPT	150# Iron		150# Galvanized Iron		150# 316 Stain. Steel		3000# Forged Steel		125# Brass	
	Part #	Price/E	Part #	Price/E	Part #	Price/E	Part #	Price/E	Part #	Price/E
1/8"	<b>SHP18</b>	<b>\$2.15</b>	<b>SHP18G</b>	<b>\$3.30</b>	<b>SHP18SS</b>	<b>\$3.20</b>	---	---	<b>211-0200C<sup>1</sup></b>	<b>\$2.41</b>
1/4"	<b>SHP14</b>	<b>2.15</b>	<b>SHP14G</b>	<b>3.50</b>	<b>SHP14SS</b>	<b>3.40</b>	<b>SHP14FS</b>	<b>\$3.55</b>	<b>211-0400C<sup>1</sup></b>	<b>4.00</b>
3/8"	<b>SHP38</b>	<b>2.15</b>	<b>SHP38G</b>	<b>3.50</b>	<b>SHP38SS</b>	<b>3.90</b>	<b>SHP38FS</b>	<b>3.65</b>	<b>211-0600C<sup>1</sup></b>	<b>6.00</b>
1/2"	<b>SHP50</b>	<b>2.30</b>	<b>SHP50G</b>	<b>4.40</b>	<b>SHP50SS</b>	<b>5.50</b>	<b>SHP50FS</b>	<b>3.80</b>	<b>211-0800C<sup>1</sup></b>	<b>10.88</b>
3/4"	<b>SHP75</b>	<b>2.30</b>	<b>SHP75G</b>	<b>4.40</b>	<b>SHP75SS</b>	<b>6.75</b>	<b>SHP75FS</b>	<b>4.75</b>	<b>211-1200C<sup>1</sup></b>	<b>16.78</b>
1"	<b>SHP100</b>	<b>2.90</b>	<b>SHP100G</b>	<b>4.85</b>	<b>SHP100SS</b>	<b>8.75</b>	<b>SHP100FS</b>	<b>7.30</b>	<b>SHP100B</b>	<b>16.50</b>
1 1/4"	<b>SHP125</b>	<b>3.65</b>	<b>SHP125G</b>	<b>7.45</b>	<b>SHP125SS</b>	<b>20.00</b>	---	---	---	---
1 1/2"	<b>SHP150</b>	<b>5.05</b>	<b>SHP150G</b>	<b>10.00</b>	<b>SHP150SS</b>	<b>22.00</b>	<b>SHP150FS</b>	<b>17.20</b>	<b>SHP150B</b>	<b>23.00</b>
2"	<b>SHP200</b>	<b>7.20</b>	<b>SHP200G</b>	<b>12.75</b>	<b>SHP200SS</b>	<b>30.50</b>	<b>SHP200FS</b>	<b>19.90</b>	---	---
2 1/2"	<b>SHP250</b>	<b>13.10</b>	<b>SHP250G</b>	<b>24.80</b>	<b>SHP250SS</b>	<b>49.00</b>	---	---	---	---
3"	<b>SHP300</b>	<b>18.00</b>	<b>SHP300G</b>	<b>35.25</b>	<b>SHP300SS</b>	<b>59.50</b>	<b>SHP300FS</b>	<b>118.05</b>	---	---
4"	<b>SHP400</b>	<b>37.80</b>	<b>SHP400G</b>	<b>73.10</b>	<b>SHP400SS</b>	<b>131.00</b>	---	---	---	---
5"	<b>SHP500</b>	<b>81.00</b>	---	---	---	---	---	---	---	---
6"	<b>SHP600</b>	<b>131.70</b>	<b>SHP600G</b>	<b>145.10</b>	---	---	---	---	---	---

<sup>1</sup> lead free brass per NSF 372

## Reducer Hex Nipples

## Feature:

- ref SAE 130137

Male NPTF	Brass		Opt Qty
	Part #	Price/E	
1/4" X 1/8"	<b>HN2M1M</b>	<b>\$3.24</b>	100
3/8" X 1/8"	<b>HN3M1M</b>	<b>4.68</b>	50
3/8" X 1/4"	<b>HN3M2M</b>	<b>4.05</b>	50
1/2" X 1/4"	<b>HN4M2M</b>	<b>5.50</b>	50
1/2" X 3/8"	<b>HN4M3M</b>	<b>5.57</b>	50
3/4" X 1/2"	<b>HN6M4M</b>	<b>8.65</b>	25



## Hex Nipples

## Feature:

- ref SAE 130137

Male NPTF	Brass		Opt Qty
	Part #	Price/E	
1/8" X 1/8"	<b>BCN12</b>	<b>\$2.53</b>	100
1/4" X 1/4"	<b>BCN25</b>	<b>2.81</b>	100
3/8" X 3/8"	<b>BCN37</b>	<b>4.09</b>	50
1/2" X 1/2"	<b>BCN50</b>	<b>5.70</b>	25
3/4" X 3/4"	<b>BCN75</b>	<b>7.50</b>	20
1" X 1"	<b>BCN100</b>	<b>18.00</b>	10



## Threaded Adapters

Female NPTF	Male NPTF	Brass		Opt Qty
		Part #	Price/E	
1/8"	1/8"	<b>RA1F1M</b>	<b>\$3.83</b>	100
1/4"	1/4"	<b>RA2F2M</b>	<b>4.36</b>	50
3/8"	3/8"	<b>RA3F3M</b>	<b>5.61</b>	50
1/2"	1/2"	<b>RA4F4M</b>	<b>7.73</b>	25
3/4"	3/4"	<b>RA6F6M</b>	<b>13.61</b>	10
1/4"	1/8"	<b>RA2F1M</b>	<b>3.90</b>	50
3/8"	1/8"	<b>RA3F1M</b>	<b>4.82</b>	50
3/8"	1/4"	<b>RA3F2M</b>	<b>4.75</b>	50
1/2"	1/4"	<b>RA4F2M</b>	<b>7.05</b>	25
1/2"	3/8"	<b>RA4F3M</b>	<b>6.21</b>	25
3/4"	3/8"	<b>RA6F3M</b>	<b>11.29</b>	10
3/4"	1/2"	<b>RA6F4M</b>	<b>10.65</b>	10



## Female Hex Couplings

## Feature:

- ref SAE 130138

Male NPTF	Brass		Opt Qty
	Part #	Price/E	
1/8" X 1/8"	<b>BA1F1F</b>	<b>\$3.14</b>	25
1/4" X 1/4"	<b>BA2F2F</b>	<b>4.85</b>	25
3/8" X 3/8"	<b>BA3F3F</b>	<b>5.70</b>	25
1/2" X 1/2"	<b>BA4F4F</b>	<b>8.70</b>	25
3/4" X 3/4"	<b>BA6F6F</b>	<b>15.38</b>	10



R

## Reducer Couplings

## Feature:

- ref SAE 130138



Female NPTF	Brass		Opt Qty
	Part #	Price/E	
1/4" x 1/8"	<b>RC2F1F</b>	<b>\$4.80</b>	50
3/8" x 1/8"	<b>RC3F1F</b>	<b>6.44</b>	50
3/8" x 1/4"	<b>RC3F2F</b>	<b>5.34</b>	50
1/2" x 1/4"	<b>RC4F2F</b>	<b>7.32</b>	25
1/2" x 3/8"	<b>RC4F3F</b>	<b>7.09</b>	10
3/4" x 3/8"	<b>RC6F3F</b>	<b>11.91</b>	10
3/4" x 1/2"	<b>RC6F4F</b>	<b>11.66</b>	10

## Hex Pipe Caps



Female NPT	Brass		Opt Qty
	Part #	Price/E	
1/8"	<b>213-0200</b>	<b>\$2.30</b>	50
1/4"	<b>213-0400</b> <sup>1</sup>	<b>3.62</b>	100
3/8"	<b>213-0600</b> <sup>1</sup>	<b>6.17</b>	25
1/2"	<b>213-0800</b> <sup>1</sup>	<b>10.38</b>	25
3/4"	<b>213-1200</b>	<b>10.97</b>	25

<sup>1</sup> Lead Free per NSF/ANSI 372

## Hex Head Plugs

## Feature:

- hex head plug is hollow



Male NPT	Brass		Opt Qty
	Part #	Price/E	
1/8"	<b>HHP1M</b>	<b>\$2.04</b>	50
1/4"	<b>HHP2M</b>	<b>1.87</b>	100
3/8"	<b>HHP3M</b>	<b>2.60</b>	25
1/2"	<b>HHP4M</b>	<b>4.42</b>	25
3/4"	<b>HHP6M</b>	<b>6.62</b>	25
1"	<b>HHP8M</b>	<b>13.10</b>	10

**NEW**

## Pump Adapters

## Features:

- used to convert MBSP pump outlets to MNPT
- hard-coated, extruded 6061-T6 aircraft aluminum alloy
- other sizes, configurations are available, contact Dixon™



R

Female BSP	Male NPT	Aluminum	
		Part #	Price/E
1 1/2"	1 1/2"	<b>AHA15BSP15T</b>	<b>\$105.70</b>
2"	2"	<b>AHA20BSP20T</b>	<b>138.50</b>
3"	3"	<b>AHA30BSP30T</b>	<b>207.05</b>
4"	4"	<b>AHA40BSP40T</b>	<b>286.40</b>

## Schedule 80 Threaded Polypropylene Fittings Reducer Bushings

Male NPT	Female NPT	Polypropylene	
		Part #	Price/E
1/2"	1/4"	<b>62267</b>	<b>\$3.35</b>
3/4"	1/2"	<b>62272</b>	<b>3.35</b>
1"	1/2"	<b>62275</b>	<b>3.60</b>
1"	3/4"	<b>62276</b>	<b>3.60</b>
1 1/4"	3/4"	<b>62277</b>	<b>3.70</b>
1 1/4"	1"	<b>62278</b>	<b>3.70</b>
1 1/2"	3/4"	<b>62279</b>	<b>5.35</b>
1 1/2"	1"	<b>62280</b>	<b>5.35</b>
1 1/2"	1 1/4"	<b>62281</b>	<b>5.35</b>
2"	3/4"	<b>62195</b>	<b>6.15</b>
2"	1"	<b>62196</b>	<b>6.15</b>
2"	1 1/4"	<b>62197</b>	<b>6.15</b>
2"	1 1/2"	<b>62198</b>	<b>6.15</b>
3"	2"	<b>60330</b>	<b>18.50</b>



### Hex Nipples

Male NPT	Polypropylene	
	Part #	Price/E
1/2"	<b>62221</b>	<b>\$1.90</b>
3/4"	<b>60554</b>	<b>3.05</b>
1"	<b>60555</b>	<b>3.60</b>
1 1/4"	<b>60556</b>	<b>3.70</b>
1 1/2"	<b>60547</b>	<b>5.25</b>
2"	<b>60548</b>	<b>5.90</b>
3"	<b>61769</b>	<b>20.00</b>



### Reducer Nipples

Male NPT	Male NPT	Polypropylene	
		Part #	Price/E
3/4"	1/2"	<b>62233</b>	<b>\$2.90</b>
1"	3/4"	<b>62234</b>	<b>3.35</b>
1 1/4"	1"	<b>62235</b>	<b>3.90</b>
1 1/2"	1 1/4"	<b>62236</b>	<b>4.25</b>
2"	1 1/2"	<b>60549</b>	<b>5.05</b>



### Nipples

Male NPT	Length	Polypropylene	
		Part #	Price/E
3/4"	4"	<b>62223</b>	<b>\$3.60</b>
3/4"	6"	<b>62224</b>	<b>4.40</b>
1"	4"	<b>62225</b>	<b>3.85</b>
1"	6"	<b>62226</b>	<b>4.80</b>
2"	4"	<b>62192</b>	<b>12.60</b>
2"	6"	<b>62193</b>	<b>14.50</b>



### Pipe Couplings

Female NPT	Polypropylene	
	Part #	Price/E
3/4"	<b>62238</b>	<b>\$5.45</b>
1"	<b>62239</b>	<b>6.50</b>
1 1/2"	<b>62241</b>	<b>15.00</b>
2"	<b>62194</b>	<b>16.10</b>



R

### King™ Nipples

Male NPT	Polypropylene	
	Part #	Price/E
1 1/2"	<b>HB150</b>	<b>\$4.85</b>
2"	<b>HB200</b>	<b>5.90</b>
3"	<b>HB300</b>	<b>17.10</b>
4"	<b>HB400</b>	<b>38.75</b>



## Schedule 80 Threaded Polypropylene Fittings

### 90° Elbows



Female NPT	Part #	Polypropylene	Price/E
1/2"	<b>62215</b>		<b>\$4.90</b>
3/4"	<b>62216</b>		<b>5.60</b>
1"	<b>62217</b>		<b>6.50</b>
1 1/2"	<b>62219</b>		<b>12.90</b>
2"	<b>62191</b>		<b>15.50</b>
3"	<b>62220</b>		<b>74.00</b>

### 90° Street Elbows



NPT Thread	Part #	Polypropylene	Price/E
1/2"	<b>62243</b>		<b>\$5.20</b>
3/4"	<b>62244</b>		<b>5.60</b>
1"	<b>62245</b>		<b>6.50</b>
1 1/4"	<b>62246</b>		<b>8.60</b>
1 1/2"	<b>62247</b>		<b>13.20</b>
2"	<b>62199</b>		<b>15.90</b>
3"	<b>62248</b>		<b>74.00</b>

### Tees



Female NPT	Part #	Polypropylene	Price/E
1/2"	<b>62209</b>		<b>\$5.85</b>
3/4"	<b>62210</b>		<b>6.10</b>
1"	<b>62211</b>		<b>8.50</b>
1 1/4"	<b>62212</b>		<b>10.20</b>
1 1/2"	<b>62213</b>		<b>16.00</b>
2"	<b>62190</b>		<b>19.25</b>
3"	<b>62214</b>		<b>84.00</b>

### Cross



Female NPT	Part #	Polypropylene	Price/E
1"	<b>62263</b>		<b>\$25.25</b>

### Pipe Caps



Female NPT	Part #	Polypropylene	Price/E
3/4"	<b>62250</b>		<b>\$6.75</b>
1"	<b>62251</b>		<b>6.75</b>

### Pipe Plugs



Male NPT	Part #	Polypropylene	Price/E
3/4"	<b>62256</b>		<b>\$3.35</b>
1"	<b>62257</b>		<b>3.35</b>
1 1/4"	<b>62258</b>		<b>3.70</b>
1 1/2"	<b>62259</b>		<b>5.90</b>
2"	<b>62201</b>		<b>6.25</b>

R

## Bulkhead Fittings

### Application:

- for use on most poly storage tanks and many steel and fiberglass tanks

### Features:

- glass reinforced polypropylene provides strength and chemical resistance
- EPDM gaskets are standard
- FKM gaskets are available, contact Dixon™ to order

#### female NPT fittings

Female NPT	Hole Size	Polypropylene	
		Part #	Price/E
½"	1-7/16"	<b>62834</b>	\$12.20
¾"	1-7/16"	<b>60401</b>	9.75
1"	2¼"	<b>60427</b>	12.20
1¼"	2¼"	<b>60403</b>	12.20
1½"	2⅝"	<b>63931</b> <sup>1</sup>	13.40
2"	3"	<b>60405</b>	17.50
2"	3"	<b>63481</b> <sup>2</sup>	14.90
2" HD	3¼"	<b>63683</b>	25.25
3"	4½"	<b>62299</b> <sup>1</sup>	79.00

<sup>1</sup> 1½" and 3" do not contain a washer

<sup>2</sup> designed for tank wall thickness less than ⅜" - 'low profile'

#### gaskets

Size	EPDM	
	Part #	Price/E
½" - ¾"	<b>60402</b>	\$2.15
1" - 1¼"	<b>60404</b>	3.05
1½"	<b>63938</b>	4.00
2"	<b>60406</b>	4.15
2" HD	<b>60336</b>	6.45
3"	<b>60331</b>	15.25



63931



63481



63683



## Bolted Fittings Stainless Steel

### Features:

- Bolts thread into back plate of fitting leaving no welds, holes as potential points of leakage.
- 316 stainless steel bolts
- required, cross-linked polyethylene gaskets are standard (*sold separately*)
- FKM and EPDM gaskets are available, contact Dixon™

#### female NPT fittings

Size	Stainless Steel	
	Part #	Price/E
¾"	<b>63035</b>	\$121.00
1"	<b>62948</b>	124.00
1½"	<b>63037</b>	177.00
2"	<b>63038</b>	187.00

#### gaskets

Size	Cross-Linked Polyethylene	
	Part #	Price/E
¾" - 1"	<b>62950</b>	\$4.50
1½"	<b>63042</b>	7.45
2"	<b>62848</b>	8.20



## Polypropylene

### Features:

- Bolts thread into back plate of fitting leaving no welds, holes as potential points of leakage.
- 316 stainless steel bolts
- 2 required, EPDM gaskets are standard (*sold separately*)
- FKM gaskets are available, contact Dixon™

#### female NPT fittings

Size	Polypropylene	
	Part #	Price/E
¾"	<b>60502</b>	\$43.40
1"	<b>60505</b>	43.40
1½"	<b>60513</b>	74.00
2"	<b>60516</b>	74.00

#### gaskets

Size	EPDM	
	Part #	Price/E
¾" - 1"	<b>60498</b>	\$6.00
1½" - 2"	<b>60497</b>	5.95



R

## Pipe Nipples



Do not use pipe nipples as hose inserts.



## Straight Hex Nipples



Male NPT	316 Stainless Steel	
	Part #	Price/E
3/8"	<b>HN38SS</b>	<b>\$5.30</b>
1/2"	<b>HN50SS</b>	<b>9.50</b>
3/4"	<b>HN75SS</b>	<b>11.90</b>
1"	<b>HN100SS</b>	<b>16.50</b>

## Reducing Hex Nipples

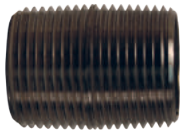


Male NPT	Male NPT	316 Stainless Steel	
		Part #	Price/E
3/8"	1/4"	<b>RHN3825SS</b>	<b>\$6.05</b>
1/2"	3/8"	<b>RHN5038SS</b>	<b>6.90</b>
3/4"	1/2"	<b>RHN7550SS</b>	<b>10.20</b>

## Close Nipples

## Features:

- made from schedule 40 welded pipe
- male NPT x male NPT design
- brass nipples are available, see page 342



Male NPT	Overall Length	Carbon Steel		Galvanized		316 Stainless Steel		Opt Qty
		Part #	Price/E	Part #	Price/E	Part #	Price/E	
1/8"	3/4"	---	---	---	---	<b>CN012SS</b>	<b>\$4.25</b>	1
1/4"	7/8"	<b>CN025</b>	<b>\$2.40</b>	<b>CN025G</b>	<b>\$2.70</b>	<b>CN025SS</b>	<b>4.75</b>	25
3/8"	1"	<b>CN037</b>	<b>2.50</b>	---	---	<b>CN037SS</b>	<b>5.85</b>	25
1/2"	1 1/8"	<b>CN050</b>	<b>2.10</b>	<b>CN050G</b>	<b>2.40</b>	<b>CN050SS</b>	<b>7.80</b>	10
3/4"	1 3/8"	<b>CN075</b>	<b>2.40</b>	<b>CN075G</b>	<b>2.95</b>	<b>CN075SS</b>	<b>10.10</b>	10
1"	1 1/2"	<b>CN100</b>	<b>3.50</b>	<b>CN100G</b>	<b>4.00</b>	<b>CN100SS</b>	<b>14.00</b>	10
1 1/4"	1 5/8"	<b>CN125</b>	<b>4.40</b>	---	---	---	---	10
1 1/2"	1 1/2"	<b>CN150</b>	<b>5.50</b>	<b>CN150G</b>	<b>6.30</b>	<b>CN150SS</b>	<b>23.70</b>	10
2"	2"	<b>CN200</b>	<b>7.45</b>	<b>CN200G</b>	<b>9.35</b>	<b>CN200SS</b>	<b>36.75</b>	10
2 1/2"	2 1/2"	<b>CN250</b>	<b>23.25</b>	---	---	---	---	--
3"	2 5/8"	<b>CN300</b>	<b>27.60</b>	<b>CN300G</b>	<b>31.45</b>	<b>CN300SS</b>	<b>98.80</b>	1
4"	2 5/8"	<b>CN400</b>	<b>41.60</b>	---	---	<b>CN400SS</b>	<b>133.45</b>	5
6"	3 1/8"	<b>CN600</b>	<b>126.75</b>	---	---	---	---	--

## Brass Double Male Hex Nipples

R



Male NPT	Male NPSH	Brass	
		Part #	Price/E
1 1/2"	1 1/2"	<b>DMH1515</b>	<b>\$20.70</b>
2"	2"	<b>DMH2020</b>	<b>43.35</b>
2 1/2"	2 1/2"	<b>DMH2525</b>	<b>54.15</b>
3"	3"	<b>DMH3030</b>	<b>144.00</b>
4"	4"	<b>DMH4040</b>	<b>231.00</b>

**NEW**

Male NPT	Male NPT	Brass	
		Part #	Price/E
1"	1"	<b>DMH1010T</b>	<b>\$56.95</b>
1 1/2"	1 1/2"	<b>DMH1515T</b>	<b>37.30</b>
2"	2"	<b>DMH2020T</b>	<b>123.05</b>
2 1/2"	2 1/2"	<b>DMH2525T</b>	<b>118.20</b>
3"	3"	<b>DMH3030T</b>	<b>170.25</b>
4"	4"	<b>DMH4040T</b>	<b>332.45</b>
6"	6"	<b>DMH6060T</b>	<b>589.25</b>

## Pipe Nipples



Do not use pipe nipples as hose inserts.



## Threaded Both Ends

## Features:

- made from schedule 40 welded pipe
- male NPT x male NPT design
- brass nipples are available, see page 342
- other lengths are also available, consult Dixon™ for pricing

Male NPT	Overall Length	Carbon Steel		316 Stainless Steel	
		Part #	Price/E	Part #	Price/E
1/4"	2"	<b>TN025X2</b>	<b>\$2.45</b>	---	---
1/4"	6"	---	---	<b>TN025X6SS</b>	<b>\$16.80</b>
3/8"	2"	<b>TN038X2</b>	<b>2.70</b>	---	---
3/8"	4"	<b>TN038X4</b>	<b>4.05</b>	---	---
3/8"	6"	<b>TN038X6</b>	<b>6.45</b>	---	---
1/2"	2"	<b>TN050X2</b>	<b>2.10</b>	<b>TN050X2SS</b>	<b>9.75</b>
1/2"	3"	<b>TN050X3</b>	<b>2.50</b>	<b>TN050X3SS</b>	<b>13.80</b>
1/2"	4"	<b>TN050X4</b>	<b>2.95</b>	<b>TN050X4SS</b>	<b>19.80</b>
1/2"	6"	<b>TN050X6</b>	<b>3.90</b>	<b>TN050X6SS</b>	<b>31.20</b>
3/4"	2"	<b>TN075X2</b>	<b>2.60</b>	<b>TN075X2SS</b>	<b>12.20</b>
3/4"	3"	<b>TN075X3</b>	<b>2.95</b>	<b>TN075X3SS</b>	<b>15.50</b>
3/4"	4"	<b>TN075X4</b>	<b>3.60</b>	<b>TN075X4SS</b>	<b>20.25</b>
3/4"	6"	<b>TN075X6</b>	<b>5.15</b>	<b>TN075X6SS</b>	<b>35.15</b>
1"	2"	<b>TN100X2</b>	<b>3.80</b>	<b>TN100X2SS</b>	<b>16.40</b>
1"	3"	<b>TN100X3</b>	<b>4.05</b>	<b>TN100X3SS</b>	<b>23.00</b>
1"	4"	<b>TN100X4</b>	<b>5.00</b>	<b>TN100X4SS</b>	<b>30.00</b>
1"	6"	<b>TN100X6</b>	<b>7.15</b>	<b>TN100X6SS</b>	<b>47.50</b>
1 1/4"	2"	<b>TN125X2</b>	<b>5.00</b>	<b>TN125X2SS</b>	<b>19.00</b>
1 1/4"	3"	<b>TN125X3</b>	<b>5.05</b>	<b>TN125X3SS</b>	<b>26.75</b>
1 1/4"	4"	<b>TN125X4</b>	<b>6.25</b>	<b>TN125X4SS</b>	<b>35.00</b>
1 1/4"	6"	<b>TN125X6</b>	<b>8.90</b>	<b>TN125X6SS</b>	<b>61.20</b>
1 1/2"	2"	<b>TN150X2</b>	<b>5.90</b>	<b>TN150X2SS</b>	<b>21.75</b>
1 1/2"	3"	<b>TN150X3</b>	<b>6.60</b>	<b>TN150X3SS</b>	<b>31.50</b>
1 1/2"	4"	<b>TN150X4</b>	<b>7.40</b>	<b>TN150X4SS</b>	<b>41.00</b>
1 1/2"	6"	<b>TN150X6</b>	<b>10.35</b>	<b>TN150X6SS</b>	<b>71.80</b>
2"	3"	<b>TN200X3</b>	<b>8.55</b>	<b>TN200X3SS</b>	<b>41.00</b>
2"	4"	<b>TN200X4</b>	<b>10.35</b>	<b>TN200X4SS</b>	<b>53.00</b>
2"	5"	<b>TN200X5</b>	<b>12.00</b>	<b>TN200X5SS</b>	<b>66.00</b>
2"	6"	<b>TN200X6</b>	<b>13.95</b>	<b>TN200X6SS</b>	<b>94.15</b>
2"	8"	<b>TN200X8</b>	<b>23.35</b>	---	---
3"	3"	<b>TN300X3</b>	<b>30.05</b>	<b>TN300X3SS</b>	<b>91.00</b>
3"	4"	<b>TN300X4</b>	<b>35.60</b>	<b>TN300X4SS</b>	<b>116.00</b>
3"	6"	<b>TN300X6</b>	<b>42.65</b>	<b>TN300X6SS</b>	<b>191.20</b>
4"	4"	<b>TN400X4</b>	<b>48.15</b>	<b>TN400X4SS</b>	<b>148.00</b>
4"	6"	<b>TN400X6</b>	<b>58.75</b>	<b>TN400X6SS</b>	<b>255.75</b>
4"	8"	<b>TN400X8</b>	<b>81.00</b>	---	---
6"	6"	<b>TN600X6</b>	<b>170.00</b>	---	---
6"	8"	<b>TN600X8</b>	<b>210.00</b>	---	---



## Merchant Couplings

- other sizes are also available, consult Dixon™ for pricing

Female NPSM	Black Iron	
	Part #	Price/E
1/4"	<b>MRCH25</b>	<b>\$3.70</b>
3/8"	<b>MRCH38</b>	<b>4.45</b>
1/2"	<b>MRCH50</b>	<b>4.75</b>
3/4"	<b>MRCH75</b>	<b>6.00</b>
1"	<b>MRCH100</b>	<b>8.40</b>
1 1/4"	<b>MRCH125</b>	<b>10.75</b>
1 1/2"	<b>MRCH150</b>	<b>13.60</b>
2"	<b>MRCH200</b>	<b>19.50</b>
3"	<b>MRCH300<sup>1</sup></b>	<b>77.80</b>

<sup>1</sup> 3" has female NPT thread

R





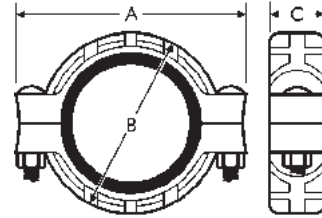
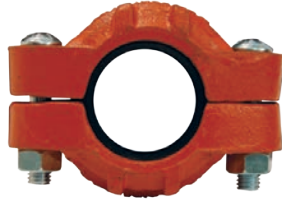
## Standard Couplings - Series S, Style 11

**Applications:**

- designed for a wide range of applications including commercial/industrial construction, mining, and process piping

**Features:**

- ductile iron body with rust inhibiting paint
- Underwriters Listed and Factory Mutual approved
- housing design allows for optimum strength without excessive casting weight.
- see page 751 for replacement gaskets, nuts and bolts
- Comparable to: Victaulic's #77  
Grinnell's #7001



Nominal Size	Pipe OD	Max. Work. Pressure PSI at 70°F	Maximum End Load Lbs.	Coupling Dimensions			Approx. Weight (lbs.)	Bolts			Ductile Iron w/ EPDM gasket Part #	Ductile Iron w/ Buna-N gasket Part #	Price/E
				A	B	C		qty	size	length			
1½"	1.900	1000	2835	4-5/8"	3"	1-7/8"	1.5	2	¾"	2"	C115	C115BU	\$80.85
2"	2.375	1000	4430	5-15/64"	3-45/64"	1-27/32"	2.6	2	½"	2¾"	C12	C12BU	31.25
2½"	2.875	1000	6492	5-5/8"	4-1/4"	1-27/32"	3.4	2	½"	2¾"	C125	C125BU	33.30
3"	3.500	1000	9621	6-21/32"	5"	1-27/32"	4.2	2	½"	3"	C13	C13BU	40.55
4"	4.500	1000	15904	8-17/64"	6-3/8"	2-3/64"	6.0	2	5/8"	3¼"	C14	C14BU	67.40
6"	6.625	1000	34472	11-7/32"	8-57/64"	2-3/64"	10.8	2	¾"	4¼"	C16	C16BU	97.40
8"	8.625	800	46741	14-1/64"	11-3/8"	2-23/64"	21.8	2	7/8"	5"	C18	C18BU	232.40
10"	10.750	800	72610	16-5/8"	13-1/2"	2-5/8"	24.2	2	7/8"	5"	C20	C20BU	240.75
12"	12.750	800	102141	18-5/8"	15-1/2"	2-5/8"	27.5	2	7/8"	5"	C24	C24BU	350.50



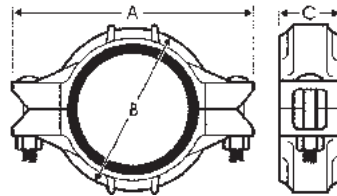
## Lightweight Flexible Couplings - Series L, Style 10

**Applications:**

- designed for applications requiring moderate internal pressure or where weight is a factor such as general purpose, mining, irrigation, and compressed air where a deflection of 5% or less is required

**Features:**

- ductile iron body with rust inhibiting paint
- Underwriters Listed and Factory Mutual approved
- see page 751 for replacement gaskets, nuts and bolts
- Comparable to: Victaulic's #75  
Grinnell's #7000



Nominal Size	Pipe OD	Max. Work. Pressure PSI at 70°F	Maximum End Load Lbs.	Coupling Dimensions			Approx. Weight (lbs.)	Bolts			Ductile Iron w/ EPDM gasket Part #	Ductile Iron w/ Buna-N gasket Part #	Price/E
				A	B	C		qty	size	length			
1½"	1.900	500	1418	4-5/8"	3"	1-3/4"	1.5	2	¾"	2¼"	L215	L215BU	\$64.50
2"	2.375	500	2215	5-7/64"	3-1/2"	1-27/32"	1.7	2	¾"	2"	L02	L02BU	17.65
2½"	2.875	300	3246	5-55/64"	4-1/64"	1-27/32"	2.2	2	¾"	2"	L025	L025BU	20.20
3"	3.500	300	4811	6-13/32"	4-13/16"	1-27/32"	2.8	2	½"	2¾"	L03	L03BU	23.75
4"	4.500	300	6362	7-33/64"	5-55/64"	2"	3.7	2	½"	2¾"	L04	L04BU	31.20
5"	5.563	300	9722	9-5/8"	7"	2"	5.7	2	5/8"	3¼"	L05	L05BU	63.65
6"	6.625	300	13789	10-25/32"	7-7/8"	2-3/64"	7.4	2	5/8"	3¼"	L06	L06BU	52.05
8"	8.625	300	20449	13-47/64"	10-35/64"	2-13/32"	12.8	2	¾"	4¼"	L08	L08BU	88.50
10"	10.750	350	29815	16-19/64"	13-15/64"	2-9/16"	24.25	2	¾"	4¼"	L010	L010BU	132.00
12"	12.750	350	40581	18-23/64"	15-7/16"	2-9/16"	28.22	2	7/8"	5"	L012	L012BU	184.00

R

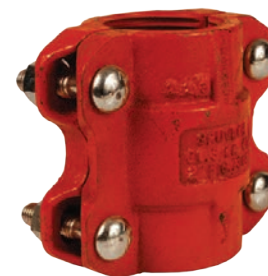
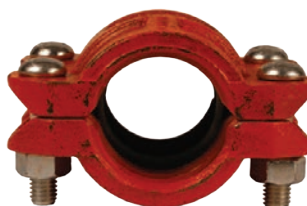
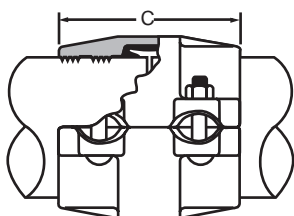
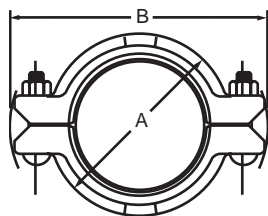
## High Density Polyethylene (HDPE) Couplings

**Applications:**

- designed for mechanically joining high density polyethylene pipe and fittings

**Features:**

- ductile iron body with rust inhibiting paint
- uses four bolts to drive the sharply machined housing teeth into the outside of the pipe
- Comparable to: Grinnell's #9095



Nominal Size	Pipe OD	Coupling Dimensions			Approx. Weight (lbs.)	Bolts			Ductile Iron w/ EPDM gasket Part #	Ductile Iron w/ Buna-N gasket Part #	Price/E
		A	B	C		qty	size	length			
2"	2.375	3 <sup>3</sup> / <sub>8</sub> "	5 <sup>1</sup> / <sub>2</sub> "	4 <sup>5</sup> / <sub>8</sub> "	4.5	4	1/2"	2 <sup>3</sup> / <sub>8</sub> "	<b>HDPE200</b>	<b>HDPE200BU</b>	<b>\$510.00</b>
3"	3.500	4 <sup>5</sup> / <sub>8</sub> "	6 <sup>3</sup> / <sub>4</sub> "	4 <sup>5</sup> / <sub>8</sub> "	8.5	4	1/2"	3"	<b>HDPE300</b>	<b>HDPE300BU</b>	<b>610.00</b>
4"	4.500	5 <sup>1</sup> / <sub>4</sub> "	8"	5 <sup>3</sup> / <sub>4</sub> "	12.0	4	1/2"	3"	<b>HDPE400</b>	<b>HDPE400BU</b>	<b>670.00</b>
6"	6.625	7 <sup>1</sup> / <sub>2</sub> "	11"	5 <sup>7</sup> / <sub>8</sub> "	18.0	4	5/8"	3 <sup>1</sup> / <sub>2</sub> "	<b>HDPE600</b>	<b>HDPE600BU</b>	<b>930.00</b>

## Lite® Couplings - Stainless Steel

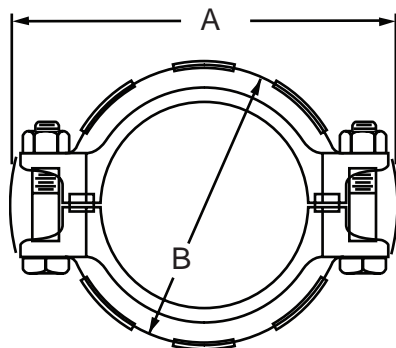


**Applications:**

- designed for use on rigid, locked-in pipe connections

**Features:**

- 316 cast stainless steel body, nuts and bolts
- certified to ANSI/NSF 61
- ideal for corrosive environments
- use of suitable anti-galling thread compound is recommended
- Comparable to: Grinnell's #7400 SS



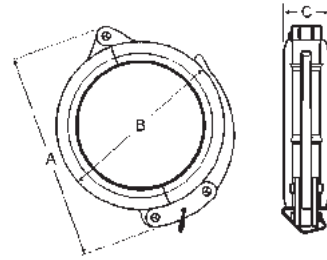
Nominal Size	Pipe OD	Maximum Working Pressure	Maximum End Load (Lbs)	Coupling Dimensions			Approx. Weight (lbs.)	Bolts			316 Stainless Steel w/ Fluoro-elastomer gasket Part #	Price/E
				A	B	C		qty	size	length		
2"	2.375	<b>300</b>	1329	5 <sup>3</sup> / <sub>8</sub> "	3 <sup>5</sup> / <sub>8</sub> "	1 <sup>1</sup> / <sub>4</sub> "	2.1	2	3/8"	2 <sup>1</sup> / <sub>4</sub> "	<b>RL02V</b>	<b>\$1140.00</b>
3"	3.500	<b>300</b>	2886	6 <sup>5</sup> / <sub>8</sub> "	4 <sup>5</sup> / <sub>8</sub> "	1 <sup>1</sup> / <sub>4</sub> "	3.1	2	1/2"	2 <sup>3</sup> / <sub>4</sub> "	<b>RL03V</b>	<b>1430.00</b>
4"	4.500	<b>300</b>	4771	7 <sup>3</sup> / <sub>4</sub> "	6"	1 <sup>7</sup> / <sub>8</sub> "	4.4	2	1/2"	2 <sup>3</sup> / <sub>4</sub> "	<b>RL04V</b>	<b>2120.00</b>



## Quick Release Couplings - Series Q

**Features:**

- designed for applications requiring a quick connection and/or disconnection of a pipe joint, a locking pin through the handle prevents accidental opening of the coupling
- ductile iron body with zinc plating and steel safety clip
- see page 751 for replacement gaskets
- Comparable to: Victaulic's #78 Grinnell's #7003



Nominal Size	Pipe OD	Max Work. Pressure PSI at 70°F	Maximum End Load Lbs.	Coupling Dimensions			Approx. Weight (lbs.)	Ductile Iron w/ EPDM gasket Part #	Ductile Iron w/ Buna-N gasket Part #	Price/E
				A	B	C				
1½"	1.900	<b>300</b>	850	4¾"	3½"	1"	1.5	<b>H315</b>	<b>H315BU</b>	<b>\$135.00</b>
2"	2.375	<b>300</b>	1329	5½"	3¾"	1⅞"	2.5	<b>H32</b>	<b>H32BU</b>	<b>129.50</b>
2½"	2.875	<b>300</b>	2120	5⅞"	4¾"	1⅞"	3.1	<b>H325</b>	<b>H325BU</b>	<b>173.00</b>
3"	3.500	<b>300</b>	2886	7¼"	5¼"	1⅞"	5.3	<b>H33</b>	<b>H33BU</b>	<b>166.50</b>
4"	4.500	<b>300</b>	4771	8½"	6½"	2"	6.0	<b>H34</b>	<b>H34BU</b>	<b>214.00</b>
6"	6.625	<b>300</b>	10341	10⅝"	8½"	2"	8.6	<b>H36</b>	<b>H36BU</b>	<b>460.00</b>



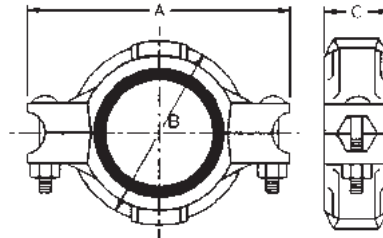
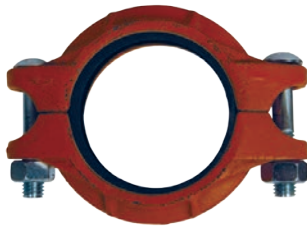
## Rigid Couplings - Series R, Style 5

**Application:**

- ideal for fire protection, plumbing, low pressure air and drainage

**Features:**

- lightweight, low pressure
- ductile iron body with rust inhibiting paint
- small gripping teeth hold the housing into the groove allowing a straight run of pipe and preventing any flex at the joint
- Underwriters Listed and Factory Mutual approved
- see page 751 for replacement gaskets, nuts and bolts




R

Nominal Size	Pipe OD	Max Work. Pressure PSI at 70°F	Maximum End Load Lbs.	Coupling Dimensions			Approx. Weight (lbs.)	Bolts			Ductile Iron w/ EPDM gasket Part #	Ductile Iron w/ Buna-N gasket Part #	Price/E
				A	B	C		qty	size	length			
2"	2.375	<b>175</b>	4425	4-7/8"	3-17/32"	1-27/32"	1.5	2	⅜"	2"	<b>R72</b>	<b>R72BU</b>	<b>\$21.25</b>
2½"	2.875	<b>175</b>	6490	5-5/8"	3-45/64"	1-3/4"	1.7	2	⅜"	2"	<b>R725</b>	<b>R725BU</b>	<b>18.30</b>
3"	3.500	<b>175</b>	9620	6-3/8"	4-41/64"	1-27/32"	2.5	2	½"	2¾"	<b>R73</b>	<b>R73BU</b>	<b>25.75</b>
4"	4.500	<b>175</b>	12720	7-45/64"	5-15/16"	2"	3.6	2	½"	2¾"	<b>R74</b>	<b>R74BU</b>	<b>32.45</b>
6"	6.625	<b>175</b>	27570	10-25/32"	8-7/64"	2-3/64"	5.8	2	⅝"	3¼"	<b>R76</b>	<b>R76BU</b>	<b>54.95</b>
8"	8.625	<b>175</b>	35050	13-25/32"	10"	2-21/64"	15.9	2	¾"	4¼"	<b>R78</b>	<b>R78BU</b>	<b>88.50</b>

## Aluminum Grooved Clamps

**Features:**

- 2" pressure rating: **400 PSI**
- 3" pressure rating: **170 PSI**
- 4" pressure rating: **120 PSI**
- bolt torque: 50 ft. lbs.
- precision casting and machined dimensions provide an exact fit and great appearance
- use of lock nuts prevents clamps from loosening in high vibration applications
- leak-tight connection
- are intended for tank truck applications only 

- Unlike steel groove clamps that secure pipe ends with high clamp force against the tubing walls, the Dixon™ bolted clamp takes the full bolt force and locks in the groove of the tube preventing distortion of the tube diameter.
- FKM-B rated for 100% biodiesel and Ethanol
- Buna-N rated for petroleum service, Ethanol to E100 and biodiesel to B20
- Baylast™ rated for petroleum service, Ethanol to E100 and biodiesel to B100
- white buna-N for use in dry bulk food applications

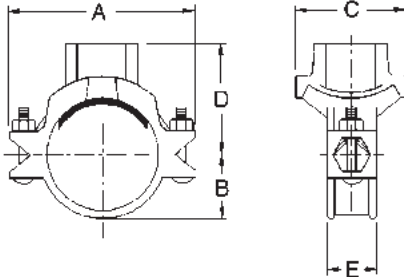
Description	Part #	Price/E
2" aluminum bolted clamp with FKM-B gasket	<b>DBV-VB200</b>	<b>\$79.85</b>
3" aluminum bolted clamp with FKM-B gasket	<b>DBV-VB300</b>	<b>90.20</b>
4" aluminum bolted clamp with FKM-B gasket	<b>DBV-VB400</b>	<b>148.55</b>
3" aluminum bolted clamp with buna-N gasket	<b>DBV-BN300</b>	<b>37.15</b>
4" aluminum bolted clamp with buna-N gasket	<b>DBV-BN400</b>	<b>47.75</b>
2" aluminum bolted clamp with Baylast™ gasket	<b>DBV-BL200</b>	<b>51.50</b>
3" aluminum bolted clamp with Baylast™ gasket	<b>DBV-BL300</b>	<b>61.15</b>
4" aluminum bolted clamp with Baylast™ gasket	<b>DBV-BL400</b>	<b>77.25</b>
4" aluminum bolted clamp with white buna-N gasket	<b>DBV-WB400</b>	<b>58.35</b>
2" FKM-B grooved coupling replacement gasket	<b>G200VB</b>	<b>61.05</b>
3" FKM-B grooved coupling replacement gasket	<b>G300VB</b>	<b>58.35</b>
4" FKM-B grooved coupling replacement gasket	<b>G400VB</b>	<b>116.70</b>
3" buna-N grooved coupling replacement gasket	<b>G300T</b>	<b>12.30</b>
4" buna-N grooved coupling replacement gasket	<b>G400T</b>	<b>17.90</b>
2" Baylast™ grooved coupling replacement gasket	<b>G200BL</b>	<b>29.00</b>
3" Baylast™ grooved coupling replacement gasket	<b>G300BL</b>	<b>34.95</b>
4" Baylast™ grooved coupling replacement gasket	<b>G400BL</b>	<b>41.45</b>
4" white buna-N grooved coupling replacement gasket	<b>G400N</b>	<b>36.50</b>



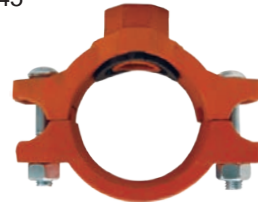
clamp with black buna gasket  
Note: Supplied clamp gasket must be installed prior to use, ships separately.

**Features:**

- Provides a fast easy way to install a threaded connection along a length of pipe. After drilling or cutting a hole in the pipe at the location of the branch connection, simply attach the clamps around the pipe for a leak-free threaded outlet connection. See chart below for drilling hole specifications



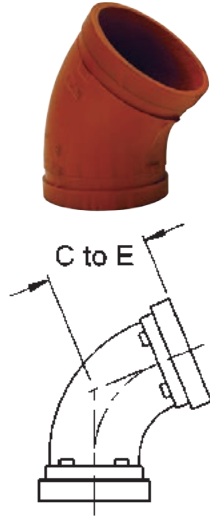
- ductile iron body with rust inhibiting paint
- Underwriters Listed and Factory Mutual approved
- maximum operating pressure: **300 PSI** at 70°F
- see page 751 for replacement gaskets, nuts and bolts
- Comparable to:  
Victaulic's #920  
Grinnell's #7045



Nominal Size	Branch Size	Hole Saw diameter	Max. End Load Lbs.	Coupling Dimensions					Approx. Wt (lbs.)	Bolts			Ductile Iron	
				A	B	C	D	E		qty	size	length	Part #	Price/E
2"	1"	1½"	1⅝"	4½"	1⅜"	2¾"	2¼"	1⅞"	2.4	2	⅜"	2"	<b>MT2010</b>	<b>\$37.45</b>
2"	1¼"	1¾"	1⅞"	4½"	1⅜"	2¾"	2½"	1⅞"	2.9	2	⅜"	2"	<b>MT20125</b>	<b>41.20</b>
2"	1½"	1¾"	1⅞"	4½"	1⅜"	2¾"	2½"	1⅞"	2.8	2	⅜"	2"	<b>MT20150</b>	<b>41.20</b>
2½"	1"	1½"	1⅝"	5-5/32"	1-11/16"	3"	2-31/32"	2"	3.1	2	½"	2⅝"	<b>MT25010</b>	<b>47.45</b>
2½"	1¼"	2"	2⅛"	5-13/16"	1-11/16"	3-11/32"	3"	2"	3.3	2	½"	2⅝"	<b>MT250125</b>	<b>51.20</b>
3"	1"	1½"	1⅝"	6-11/32"	2-1/8"	3-3/32"	3-1/16"	2"	3.3	2	½"	2¾"	<b>MT3010</b>	<b>56.20</b>
3"	1½"	2"	2⅛"	6-11/32"	2-1/8"	3-3/4"	3-3/8"	2"	3.4	2	½"	2¾"	<b>MT30150</b>	<b>51.20</b>
4"	1"	1½"	1⅝"	7-5/16"	2-9/16"	3-3/32"	3-1/2"	2"	4.4	2	½"	2¾"	<b>MT4010</b>	<b>71.45</b>
4"	1¼"	2"	2⅛"	7-5/16"	2-9/16"	3-3/4"	3-7/8"	2"	5.1	2	½"	2¾"	<b>MT40125</b>	<b>58.65</b>
4"	1½"	2"	2⅛"	7-5/16"	2-9/16"	3-3/4"	3-7/8"	2"	4.9	2	½"	2¾"	<b>MT40150</b>	<b>61.15</b>
4"	2"	2½"	2⅝"	7-5/16"	2-9/16"	4-1/8"	4"	2"	5.3	2	½"	2¾"	<b>MT4020</b>	<b>61.15</b>
4"	2½"	2¾"	2⅞"	7-5/16"	2-9/16"	4-3/8"	4"	2"	5.4	2	½"	2¾"	<b>MT40250</b>	<b>63.65</b>
4"	3"	3½"	3⅝"	7-5/16"	2-9/16"	5-1/4"	4-1/4"	2"	6.4	2	½"	2¾"	<b>MT4030</b>	<b>68.05</b>
6"	1¼"	2½"	2⅝"	10-5/32"	3-11/16"	4-1/8"	4-7/8"	2¼"	8.6	2	⅝"	3¼"	<b>MT60125</b>	<b>76.75</b>
6"	1½"	2½"	2⅝"	10-5/32"	3-11/16"	4-1/8"	4-7/8"	2¼"	8.4	2	⅝"	3¼"	<b>MT60150</b>	<b>76.75</b>
6"	2"	2½"	2⅝"	10-5/32"	3-11/16"	4-1/8"	5"	2¼"	7.6	2	⅝"	3¼"	<b>MT6020</b>	<b>76.75</b>
6"	3"	3½"	3⅝"	10-5/32"	3-11/16"	5-1/4"	5-3/8"	2¼"	9.2	2	⅝"	3¼"	<b>MT6030</b>	<b>88.65</b>



## Grooved End Fittings - Series 45



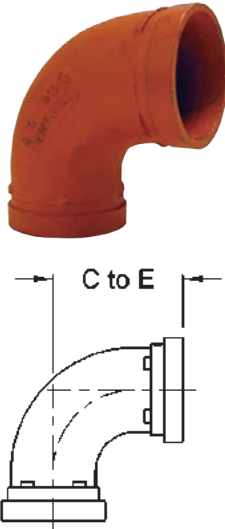
**Features:**

- designed to provide minimum pressure drop and uniform strength
- maximum operating pressure: **500 PSI** at ambient temperature (70°F)
- ductile iron body with rust inhibiting paint
- Underwriters Listed and Factory Mutual approved
- Comparable to:  
Victaulic's #110  
Grinnell's #7051

Nominal Size	Dimension C to E	Approx. Weight (Lbs.)	Ductile Iron	
			Part #	Price/E
2"	2"	1.4	<b>L2045</b>	\$22.15
2½"	2¼"	2.3	<b>L2545</b>	23.05
3"	2½"	3.2	<b>L3045</b>	34.95
4"	3"	5.3	<b>L4045</b>	51.15
5"	3¼"	7.9	<b>L5145</b>	113.50
6"	3½"	11.0	<b>L6045</b>	129.50
8"	4¼"	20.0	<b>L8045</b>	258.90



## Grooved End Fittings - Series 90



**Features:**

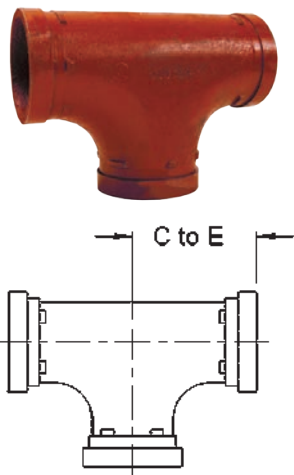
- designed to provide minimum pressure drop and uniform strength
- maximum operating pressure: **500 PSI** at ambient temperature (70°F)
- ductile iron body with rust inhibiting paint
- Underwriters Listed and Factory Mutual approved
- Comparable to:  
Victaulic's #10  
Grinnell's #7050

Nominal Size	Dimension C to E	Approx. Weight (Lbs.)	Ductile Iron	
			Part #	Price/E
2"	3¼"	2.1	<b>L502</b>	\$22.50
2½"	3¾"	3.0	<b>L5025</b>	25.85
3"	4¼"	4.7	<b>L503</b>	41.20
4"	5"	7.3	<b>L504</b>	54.15
6"	6½"	17.6	<b>L506</b>	129.50
8"	7¾"	31.9	<b>L508</b>	287.05



## Grooved End Fittings - Series T

R



**Features:**

- designed to provide minimum pressure drop and uniform strength
- maximum operating pressure: **500 PSI** at ambient temperature (70°F)
- ductile iron body with rust inhibiting paint
- Underwriters Listed and Factory Mutual approved
- Comparable to:  
Victaulic's #20  
Grinnell's #7060

Nominal Size	Dimension C to E	Approx. Weight (Lbs.)	Ductile Iron	
			Part #	Price/E
2"	3¼"	3.2	<b>T602</b>	\$32.45
2½"	3¾"	4.5	<b>T6025</b>	39.95
3"	4¼"	5.9	<b>T603</b>	54.95
4"	5"	11.0	<b>T604</b>	81.30
6"	6½"	24.6	<b>T606</b>	196.75
8"	7¾"	40.0	<b>T608</b>	425.25

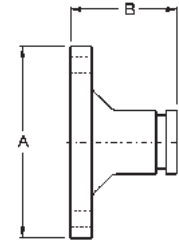
## Flange Adapters - Series FA

**Application:**

- used to connect an ANSI Class 125 and 150 flange to a grooved pipe using a grooved clamp

**Features:**

- Provides a rigid one piece connection that can be disconnected by removing the clamp assembly. To assemble to another flange, position bolt heads on the adapter (grooved) side.
- ductile iron body with rust inhibiting paint



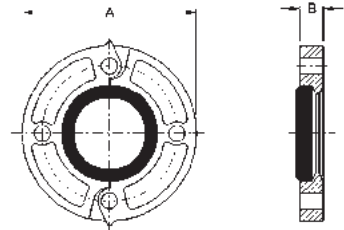
Nominal Size	Pipe OD	Max PSI at 70°F	Flange Dimensions		Approx. Weight (lbs.)	Bolts		Ductile Iron	
			A	B		qty	size	Part #	Price/E
2"	2.375	300	6"	2-3/8"	2.8	4	5/8"	FA20	\$37.40
3"	3.500	300	7 1/4"	2-3/8"	5.3	4	5/8"	FA30	61.15
4"	4.500	300	8 1/2"	2-3/8"	6.4	8	5/8"	FA40	77.40
6"	6.625	300	11"	2-9/16"	11.5	8	3/4"	FA60	142.30
8"	8.625	300	13 1/4"	3"	23.0	8	3/4"	FA80	208.50

## ANSI Split Flanges - Series SF



**Features:**

- provides a direct connection between a grooved adapter and an ANSI Class 125 and 150 raised face flanged component
  - can be used with flat face flanges by removing the raised projections on the outside face of the flange.
  - ductile iron body with rust inhibiting paint
  - Underwriters Listed and Factory Mutual approved
  - Buna gaskets are available upon request
- Comparable to: Victaulic's #741, Grinnell's #7012



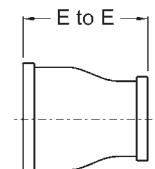
Nom. Size	Pipe OD	Max. PSI at 70°F	Flange Dimensions		Approx. Weight (lbs.)	Bolts		Ductile Iron w/ gasket		Replacement Gaskets EPDM	
			A	B		qty	size	Part #	Price/E	Part #	Price/E
2"	2.375"	300	6"	13/16"	3.5	4	5/8"	ANSI20	\$75.85	FLG200E	\$8.15
2 1/2"	2.875"	300	7"	13/16"	4.6	4	5/8"	ANSI25	82.05	FLG250E	9.40
3"	3.500"	300	7 1/2"	13/16"	5.1	4	5/8"	ANSI30	98.60	FLG300E	10.95
4"	4.500"	300	9"	15/16"	8.8	8	5/8"	ANSI40	131.05	FLG400E	12.50
6"	6.625"	300	11"	1"	10.6	8	3/4"	ANSI60	156.00	FLG600E	19.35
8"	8.625"	300	13 1/2"	1-1/8"	17.0	8	3/4"	ANSI80	199.70	FLG800E	34.00

## Reducing Adapters - Series RA



**Features:**

- ductile iron body with rust inhibiting paint
- Underwriters Listed and Factory Mutual approved
- Comparable to: Victaulic's #50, Grinnell's #7072



Nominal Size	Nominal Size	Dimension E to E	Approx. Weight (Lbs.)	Ductile Iron	
				Part #	Price/E
2"	1 1/2"	2.5	0.9	RAGG20150	\$26.25
2 1/2"	2"	2.5	1.1	RAGG25020	27.45
3"	2"	2.5	1.2	RAGG3020	26.25
3"	2 1/2"	2.5	1.5	RAGG30250	32.45
4"	2"	3.0	2.2	RAGG4020	38.60
4"	2 1/2"	3.0	2.4	RAGG40250	40.55
4"	3"	3.0	2.4	RAGG4030	43.25
5"	4"	3.5	4.4	RAGG5040	69.90
6"	2"	4.0	4.0	RAGG6020	78.65
6"	2 1/2"	4.0	4.4	RAGG60250	90.30
6"	3"	4.0	4.6	RAGG6030	82.40
6"	4"	4.0	7.0	RAGG6040	82.40

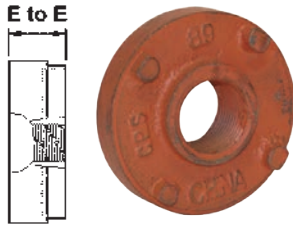


## End Caps

### ANSI Cap with Tapped Outlet - Series EC

**Feature:**

- ductile iron construction with rust inhibiting paint



Nominal Size	Outlet	Dimension E to E	Approx. Weight (Lbs.)	Ductile Iron	
				Part #	Price/E
2"	1"	7/8"	.50	<b>EC201</b>	\$31.30
2½"	1"	7/8"	.70	<b>EC251</b>	40.50
3"	1"	7/8"	1.05	<b>EC301</b>	40.30
4"	1"	1"	2.30	<b>EC401</b>	43.85
4"	2"	1"	2.10	<b>EC402</b>	39.85
6"	1"	1"	5.10	<b>EC601</b>	99.05
6"	2"	1"	5.35	<b>EC602</b>	105.20
8"	2"	1-3/16"	10.10	<b>EC802</b>	202.15



### Blank Caps - Series BE

**Features:**

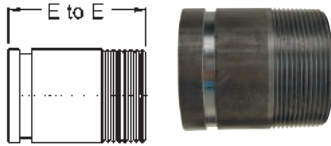
- ductile iron body with rust inhibiting paint
- Underwriters Listed and Factory Mutual approved
- Comparable to: Victaulic's #60, Grinnell's #7074



Nominal Size	Dimension E to E	Approx. Weight (Lbs.)	Ductile Iron	
			Part #	Price/E
2"	7/8"	.6	<b>BEC20</b>	\$27.45
2½"	7/8"	.7	<b>BEC25</b>	36.20
3"	7/8"	1.1	<b>BEC30</b>	37.45
4"	1"	2.6	<b>BEC40</b>	38.70
6"	1"	5.0	<b>BEC60</b>	96.75
8"	1-3/16"	11.0	<b>BEC80</b>	178.50

## Adapter Nipples

### Long Pipe Style Nipples - Series AN



Nominal Size	Dimension E to E	Carbon Steel	
		Part #	Price/E
2"	4"	<b>A712</b>	\$48.65
2½"	4"	<b>A7125</b>	57.05
3"	4"	<b>A713</b>	88.60
4"	6"	<b>A714</b>	115.80
5"	6"	<b>A715</b>	185.00
6"	6"	<b>A716</b>	205.00

### Grooved End x Weld Nipples



Nominal Size	Aluminum		Carbon Steel		316 Stainless Steel	
	Part #	Price/E	Part #	Price/E	Part #	Price/E
2"	<b>AVN2000-200</b>	\$18.50	<b>VN2000-200</b>	\$19.15	<b>VNR2000-200</b>	\$28.45
2½"	<b>AVN2500-200</b>	32.45	<b>VN2500-200</b>	21.70	<b>VNR2500-200</b>	29.50
3"	<b>AVN3000-200</b>	25.00	<b>VN3000-200</b>	24.25	<b>VNR3000-200</b>	36.75
4"	<b>AVN4000-200</b>	42.30	<b>VN4000-200</b>	37.10	<b>VNR4000-200</b>	53.50

## Grooved End Iron Butterfly Valves

**Application:**

- designed for water and air applications

**Features:**

- EPDM seals
- working pressure: **300 PSI**
- maximum temperature: **210°F**
- material:
  - body: ductile iron, epoxy coated
  - disc: ductile iron, EPDM encapsulated
  - stem: stainless steel
  - notch plate: zinc plated steel

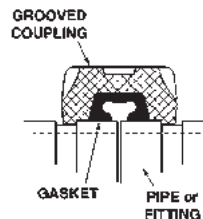


Size	Iron	
	Part #	Price/E
2"	<b>GIBFV200</b>	\$218.00
2½"	<b>GIBFV250</b>	250.00
3"	<b>GIBFV300</b>	350.00
4"	<b>GIBFV400</b>	430.00
6"	<b>GIBFV600</b>	810.00
8"	<b>GIBFV800</b>	1010.00

R

## Gaskets

- check gasket color code to be certain it is recommended for the service intended
- use lubricant on gasket
- for services not listed contact Dixon™ for recommendations



## FKM

Size	FKM	
	Part #	Price/E
2"	<b>G200V</b>	<b>\$38.35</b>
3"	<b>G300V</b>	<b>57.05</b>
4"	<b>G400V</b>	<b>79.45</b>
6"	<b>G600V</b>	<b>110.95</b>
8"	<b>G800V</b>	<b>188.50</b>
10"	<b>G1000V</b>	<b>233.95</b>
12"	<b>G1200V</b>	<b>295.55</b>


## Features:

- compound type: Fluoro Elastomer
- temperature range: **-13°F to 350°F**
- color code: black with blue stripe
- resistant to oxidizing acids, petroleum oils, hydraulic fluids, halogenated hydrocarbons and lubricants

## EPDM

Size	EPDM	
	Part #	Price/E
1½"	<b>G150E</b>	<b>\$34.60</b>
2"	<b>G200E</b>	<b>9.25</b>
2½"	<b>G250E</b>	<b>11.10</b>
3"	<b>G300E</b>	<b>12.30</b>
4"	<b>G400E</b>	<b>17.90</b>
5"	<b>G500E</b>	<b>65.75</b>
6"	<b>G600E</b>	<b>32.30</b>
8"	<b>G800E</b>	<b>52.60</b>
10"	<b>G1000E</b>	<b>67.00</b>
12"	<b>G1200E</b>	<b>92.00</b>


## Features:

- compound type: EPDM
- temperature range: **-22°F to 230°F**
- color code: black with green stripe
- for water, dilute acids, alkalis, salts, and many chemical services not involving hydrocarbons, oils, or gases.
- excellent oxidation resistance
- *Not for use with hydrocarbons* 

## Buna-N

Style	Black Buna with orange stripe		White Buna Gruvlok seal	
	Part #	Price/E	Part #	Price/E
1½"	<b>G150T</b>	<b>\$34.60</b>	---	---
2"	<b>G200T</b>	<b>9.25</b>	---	---
2½"	<b>G250T</b>	<b>11.10</b>	---	---
3"	<b>G300T</b>	<b>12.30</b>	---	---
4"	<b>G400T</b>	<b>17.90</b>	<b>G400N</b>	<b>\$36.50</b>
5"	<b>G500T</b>	<b>65.75</b>	---	---
6"	<b>G600T</b>	<b>32.30</b>	---	---
8"	<b>G800T</b>	<b>52.60</b>	---	---
10"	<b>G1000T</b>	<b>67.00</b>	---	---
12"	<b>G1200T</b>	<b>92.00</b>	---	---

## Features:

- compound type: Buna-N
- temperature range: **-24°F to 176°F**
- for petroleum products, vegetable oils, mineral oils, and air contaminated with petroleum oils.
- *Not for use in hot water services* 

## Nuts and Bolts

Bolt Thread	Bolt Length	Torque Ft. Lbs.	Carbon Steel	
			Part #	Price/E
3/8"	2"	30	<b>BLT38200</b>	<b>\$5.95</b>
3/8"	2¼"	30	<b>BLT38225</b>	<b>19.30</b>
1/2"	2½"	50	<b>BLT50212</b>	<b>5.95</b>
1/2"	2¾"	50	<b>BLT50234</b>	<b>8.15</b>
1/2"	3"	50	<b>BLT50300</b>	<b>9.80</b>
5/8"	3¼"	75	<b>BLT58314</b>	<b>5.35</b>
3/4"	4¼"	75	<b>BLT75414</b>	<b>17.50</b>
7/8"	5"	200	<b>BLT78500</b>	<b>18.50</b>

## Features:


- the nuts are a heavy hexagon design
- electroplated carbon steel
- The bolts are specifically designed for use with the couplings on pages 744-747.

## Standards:

- conform to ASTM A183

## Groove Lube

## Features:

- water soluble
- non-toxic
- non-corrosive
- non-flammable
- NSF approved for use with potable water
- *Should not be used with HDPE pipe.* 

Size	Container	Part #	Price/E
1 qt.	Tub	<b>GROOVLUB32</b>	<b>\$263.00</b>





## 3" Drop Elbows (Tight Fill Couplers)

### Complete Units



**Features:**

- aluminum body
- brass handle and cam arms with buna gasket
- steel bolts on inlet end
- plexiglass sight flow insert with buna seals

Coupler Size	Inlet	Aluminum	
		Part #	Price/E
3"	3" male adapter	<b>300300MAE</b>	<b>\$694.00</b>
3"	4" male adapter	<b>3004030MAE</b>	<b>726.00</b>

### Coupler Body



**plunger type handle**

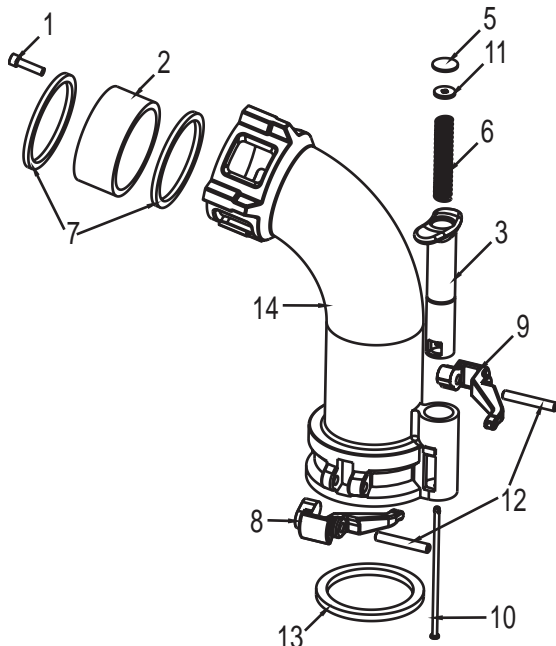
Size	Aluminum	
	Part #	Price/E
3"	<b>300-TFG</b>	<b>\$650.00</b>

### Inlet Ends



Inlet	Inlet	Aluminum	
		Part #	Price/E
3"	male adapter	<b>300-MAE</b>	<b>\$71.00</b>
4"	male adapter	<b>4030-MAE</b>	<b>105.00</b>

### Parts List



Item #	Description	Part #	Price/E
1	screw-inlet end	<b>P3-TFG-1</b>	<b>\$1.50</b>
2	plexiglass-shell only	<b>P3-TFG-2</b>	<b>34.35</b>
3	plunger	<b>P3-TFG-3</b>	<b>67.00</b>
5	plunger cap	<b>P3-TFG-5</b>	<b>5.50</b>
6	spring	<b>P3-TFG-6</b>	<b>6.80</b>
7	plexiglass gasket	<b>P3-TFG-7</b>	<b>3.50</b>
8	right cam arm	<b>P3-TFG-8</b>	<b>56.00</b>
9	left cam arm	<b>P3-TFG-9</b>	<b>56.00</b>
10	rod	<b>P3-TFG-10</b>	<b>15.00</b>
11	disc	<b>P3-TFG-11</b>	<b>9.50</b>
12	pin	<b>300-P</b>	<b>2.25</b>
13	coupler gasket	<b>300-G-BU</b>	<b>1.55</b>
14	body	<b>P3-TFG-13</b>	<b>POR</b>

S

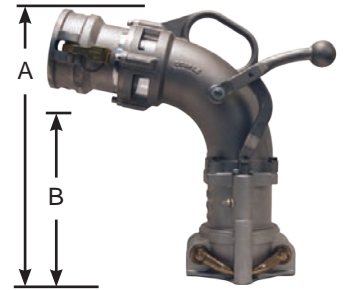
## 4" Drop Elbows (Tight Fill Couplers)

**Features:**

- cast aluminum modular construction
- brass handle and cam arms with buna gasket
- stainless steel bolts on inlet end
- acrylic sight glass with buna seals
- for information on additional elbow configurations such as pre-assembled elbows, contact Dixon™

**side lever type handle**

Size	Inlet	A Overall Height	B Ground Clearance	Aluminum	
				Part #	Price/E
4"	elbow only, <i>without inlet connection</i>	17¾"	10⅞"	<b>6200</b>	<b>\$933.70</b>
4"	elbow with 4" adapter inlet	17¾"	10⅞"	<b>6200A</b>	<b>1049.55</b>
4"	elbow with anti-spill sleeve, <i>without inlet connection</i>	17¾"	10⅞"	<b>6200T</b>	<b>1016.40</b>
4"	elbow with 4" coupler inlet	17¾"	10⅞"	<b>6200D</b>	<b>1134.25</b>



drop elbow with side lever with 4" coupler inlet

**side lever type handle - extended body**

Size	Inlet	A Overall Height	B Ground Clearance	Aluminum	
				Part #	Price/E
4"	tall elbow only, <i>without inlet connection</i>	21"	13¾"	<b>6200X</b>	<b>\$1042.50</b>
4"	tall elbow with 4" adapter inlet	21"	13¾"	<b>6200XA</b>	<b>1175.90</b>
4"	tall elbow with anti-spill sleeve, <i>without inlet connection</i>	21"	13¾"	<b>6200XT</b>	<b>1131.10</b>
4"	tall elbow with 4" coupler inlet	21"	13¾"	<b>6200XD</b>	<b>1249.30</b>



drop elbow with side lever without inlet connection

**Self-Locking**

Size	Inlet	A Overall Height	B Ground Clearance	Aluminum	
				Part #	Price/E
4"	tightfill elbow with locking handle	17¾"	10⅞"	<b>6500</b>	<b>\$988.35</b>
4"	tightfill elbow with locking handle and 4" adapter inlet	17¾"	10⅞"	<b>6500A</b>	<b>1042.75</b>



self-locking drop elbow - no inlet

### Inlet Ends

**Feature:**

- replacement parts are available, contact Dixon™ for more information

Inlet Size	Inlet	Aluminum	
		Part #	Price/E
3"	male adapter	<b>6000-16</b>	<b>\$99.90</b>
4"	male adapter	<b>6000-17</b>	<b>99.90</b>
3"	female coupler	<b>6000-15</b>	<b>183.15</b>
4"	female coupler	<b>6000-14</b>	<b>183.15</b>
4"	female with FNPT	<b>6000-20</b>	<b>100.05</b>



## Top Side Lever Elbow Fits 6200 Elbow Only

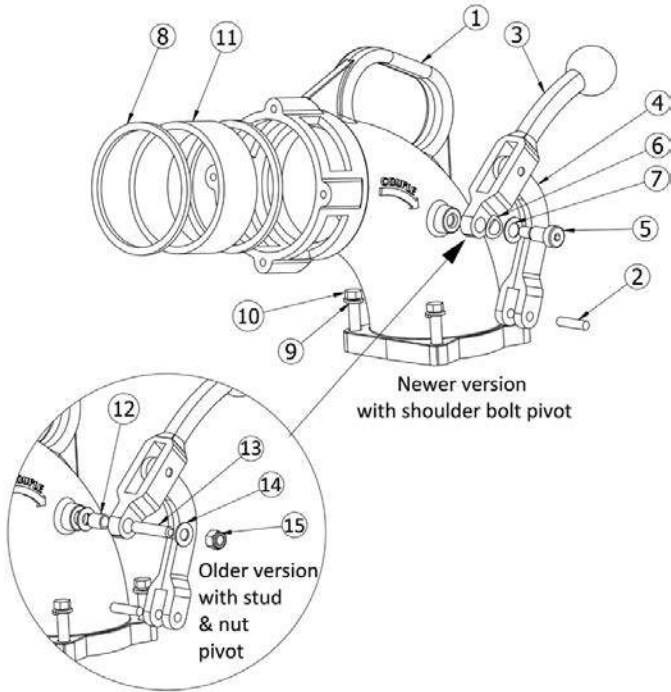
• for replacement parts for other style elbows, contact Dixon™

### Bill Of Materials

Item #	Description	Part #	Price/E	Qty
1	body	<b>6200-1</b>	<b>\$193.90</b>	1
2	pin	<b>PIN5/16x11/4P</b>	<b>3.10</b>	2
3	handle	use kit <b>6200-15ASSM</b>	---	1
4	handle linkage	use kit <b>6200-15ASSM</b>	---	1
5 <sup>1</sup>	shoulder bolt	use kit <b>6200SBK</b> <sup>1</sup>	---	1
6 <sup>1</sup>	wave washer	use kit <b>6200SBK</b> <sup>1</sup>	---	1
7 <sup>1</sup>	SS flat washer	use kit <b>6200SBK</b> <sup>1</sup>	---	1
8A	Baylast™ gasket	<b>4433</b>	<b>10.05</b>	2
8B	FKM gasket (opt.)	<b>4426</b>	<b>12.40</b>	2
9	lock washer	use kit <b>6000EHK</b>	---	4
10	bolt	use kit <b>6000EHK</b>	---	4
11	sight glass	use kit <b>6200SGK</b>	---	1
12 <sup>2</sup>	bushing	use kit <b>6200SHK</b> <sup>2</sup>	---	1
13 <sup>2</sup>	stud	use kit <b>6200SHK</b> <sup>2</sup>	---	1
14 <sup>2</sup>	nylon washer	use kit <b>6200SHK</b> <sup>2</sup>	---	2
15 <sup>2</sup>	nut	use kit <b>6200SHK</b> <sup>2</sup>	---	1

<sup>1</sup> items 5 - 7 for shoulder bolt pivot version only

<sup>2</sup> items 12 - 15 for stud and nut pivot version only



### Repair Kits

Part #	Description	Includes	Price/E
<b>6200SGK</b>	replacement sight glass and Baylast™ seals	8, 11	<b>\$54.05</b>
<b>6000EHK</b>	replacement bolts and lock washers	9, 10	<b>9.10</b>
<b>6200-15ASSM</b>	replacement handle, linkage and pin	2, 3, 4	<b>58.00</b>
<b>6200SHK</b> <sup>2</sup>	replacement stud pivot, nylon washers, bushing and nut	5, 6, 7	<b>16.95</b>
<b>6200SBK</b> <sup>2</sup>	replacement stud pivot, nylon washers, bushing and nut	12, 13, 14, 15	<b>5.30</b>

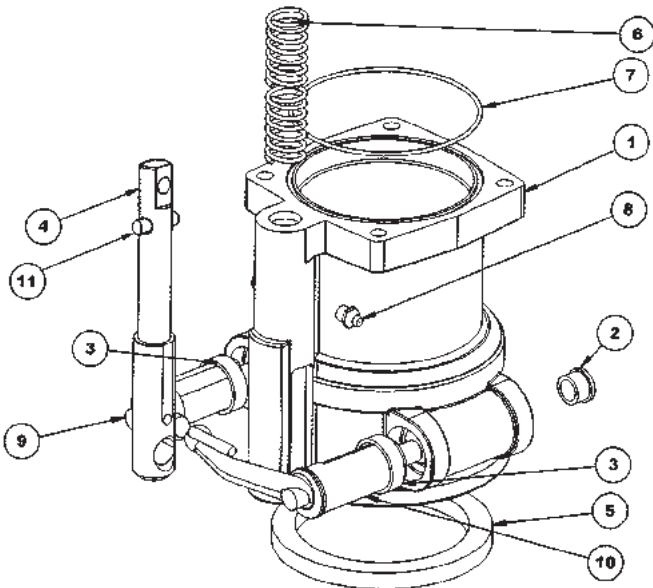
## Bottom Unit, for Side Lever Elbows Fits 6200, 6400 and 6500 Standard and Tall Elbows

### Bill Of Materials

Item #	Description	Part #	Price/E	Qty
1	body	use kit <b>6230</b>	---	1
2	small bushing	use kit <b>6200BK</b>	---	2
3	large bushing	use kit <b>6200BK</b>	---	2
4A	handle stem (standard)	<b>6200-7</b>	<b>\$75.95</b>	1
4B	handle stem (tall)	<b>6200-7X</b>	<b>94.40</b>	1
5	main gasket	<b>6000-9</b>	<b>8.40</b>	1
6	spring	<b>112012</b>	<b>6.10</b>	1
7	O-ring	<b>AS156</b>	<b>2.80</b>	1
8	grease nipple	<b>NIPPLE/1</b>	<b>7.10</b>	1
9	right arm	use kit <b>6200ARK</b>	---	1
10	left arm	use kit <b>6200ARK</b>	---	1
11	pin	<b>PIN5/16x11/4P</b>	<b>3.10</b>	1

### Repair Kits

Part #	Description	Includes	Price/E
<b>6230</b>	complete standard replacement bottom unit	all	<b>\$442.85</b>
<b>6230X</b>	complete tall replacement bottom unit	all	<b>520.05</b>
<b>6200ARK</b>	replacement left and right arms, main gasket, O-rings, small and large bushings	2, 3, 5, 7, 9, 10	<b>145.85</b>
<b>6200BK</b>	replacement small and large bushings	2, 3	<b>44.10</b>



S

# Vapor Recovery Drop Elbows

**Features:**

- for use in two point vapor recovery systems
- one-piece bronze locking arms housed in polymer bushings
- advanced design side lever locking system
- buna seals and stainless steel hardware
- bolt on 3" male outlet included (**VR6000-6**) which can be rotated for extended life
- lubrication fitting on locking stem
- see 6400 series co-axial elbow for single point vapor recovery on page 756



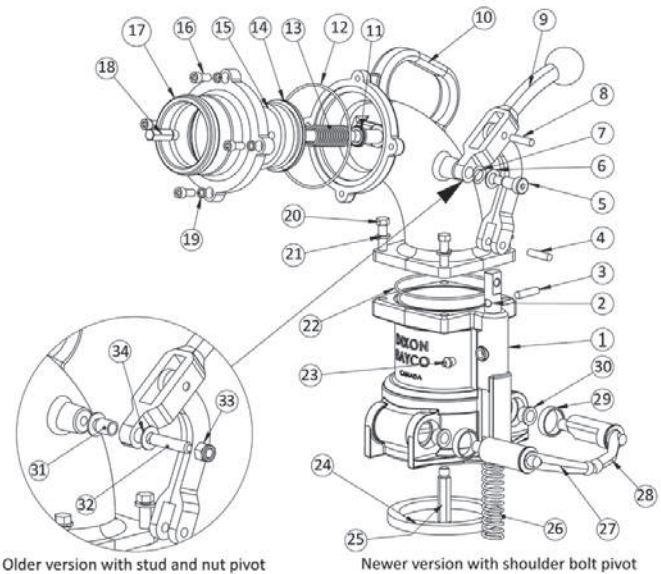
Description	Aluminum	
	Part #	Price/E
3" male adapter with probe, without poppet valve	<b>VR6200NP</b>	<b>\$732.80</b>
3" male adapter outlet with probe and poppet valve	<b>VR6200</b>	<b>834.35</b>

## VR6200 Series Vapor Elbows

### Bill Of Materials

Item #	Description	Part #	Price/E	Qty
1	bottom body	use kit <b>VR6030</b>	---	1
2	stem	<b>6200-7</b>	<b>\$75.95</b>	1
3	stem stop pin	<b>PIN5/16X1¼-P</b>	<b>POR</b>	1
4	stem link pin	<b>PIN5/16X1¼-P</b>	<b>POR</b>	1
5 <sup>1</sup>	shoulder bolt pivot	use kit <b>6200SBK</b> <sup>1</sup>	---	1
6 <sup>1</sup>	SS flat washer	use kit <b>6200SBK</b> <sup>1</sup>	---	1
7 <sup>1</sup>	wave washer	use kit <b>6200SBK</b> <sup>1</sup>	---	1
8	handle pin	<b>PIN 5/16X1¼-P</b>	<b>POR</b>	1
9	handle and linkage	use kit <b>6200-15ASSM</b>	---	1
10	top elbow body	<b>VR6000-1</b>	<b>204.20</b>	1
11	poppet bushing	<b>VR6000-3</b>	<b>13.10</b>	1
12	outlet O-ring only	<b>110319</b>	<b>2.80</b>	1
13	poppet spring	<b>L1110-L2287</b>	<b>18.85</b>	1
14	FKM poppet seal	<b>O-RING-AS-334</b>	<b>11.85</b>	1
15	poppet valve	<b>VR6000-4</b>	<b>61.00</b>	1
16	outlet adapter bolt	use kit <b>6000NPHK</b>	---	4
17	outlet adapter with outlet O-ring	<b>VR6000-6</b>	<b>63.35</b>	1
18	poppet valve stand off	<b>VR6000-5</b>	<b>13.25</b>	1
19	lock washer	use kit <b>6000NPHK</b>	---	4
20	bolt	use kit <b>6000EHK</b>	---	4
21	lock washer	use kit <b>6000EHK</b>	---	4
22	body O-ring	<b>AS156</b>	<b>2.80</b>	1
23	grease nipple	<b>NIPPLE/1</b>	<b>7.10</b>	1
24	main seal gasket	<b>6000-9</b>	<b>8.40</b>	1
25	probe	<b>VR6000-7</b>	<b>10.05</b>	1
26	stem spring	<b>112012</b>	<b>6.10</b>	1
27	left arm	<b>VR6000-9</b>	<b>77.15</b>	1
28	right arm	<b>VR6000-8</b>	<b>77.15</b>	1
29	large bushing	use kit <b>6200BK</b>	---	2
30	small bushing	use kit <b>6200BK</b>	---	2
31 <sup>2</sup>	pivot bushing	use kit <b>6200SHK</b> <sup>2</sup>	---	1
32 <sup>2</sup>	pivot stud	use kit <b>6200SHK</b> <sup>2</sup>	---	1
33 <sup>2</sup>	pivot lock nut	use kit <b>6200SHK</b> <sup>2</sup>	---	1
34 <sup>2</sup>	nylon washer	use kit <b>6200SHK</b> <sup>2</sup>	---	2

<sup>1</sup> items 5 - 7 for shoulder bolt pivot version only  
<sup>2</sup> items 12 - 15 for stud and nut pivot version only

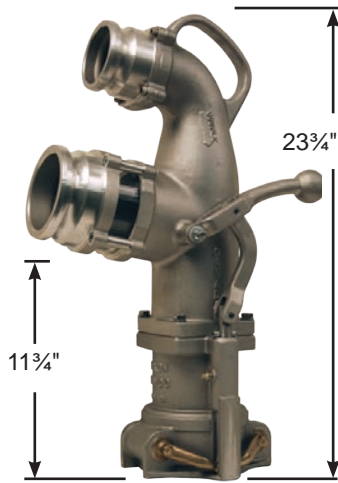


### Repair Kits

Part #	Description	Includes	Price/E
<b>VR6230</b>	complete replacement bottom body	1, 2, 3, 22, 23, 24, 25, 26, 27, 28, 29, 30	<b>\$461.00</b>
<b>6200SBK</b> <sup>1</sup>	replacement shoulder bolt pivot, wave washer and flat washer	5, 6, 7	<b>5.30</b>
<b>6200-15ASSM</b>	replacement handle, linkage and linkage pin	8, 9	<b>58.00</b>
<b>6000NPHK</b>	replacement adapter (4) bolts and lock washers	16, 19	<b>6.20</b>
<b>6000EHK</b>	replacement body bolts and lock washers	20, 21	<b>9.10</b>
<b>6200BK</b>	replacement (2) large and small arm bushing	29, 30	<b>44.10</b>
<b>6200SHK</b> <sup>2</sup>	replacement stud pivot, nylon washer, bushing and nut	31, 32, 33, 34	<b>16.95</b>

**S**

## Coaxial Drop Elbow



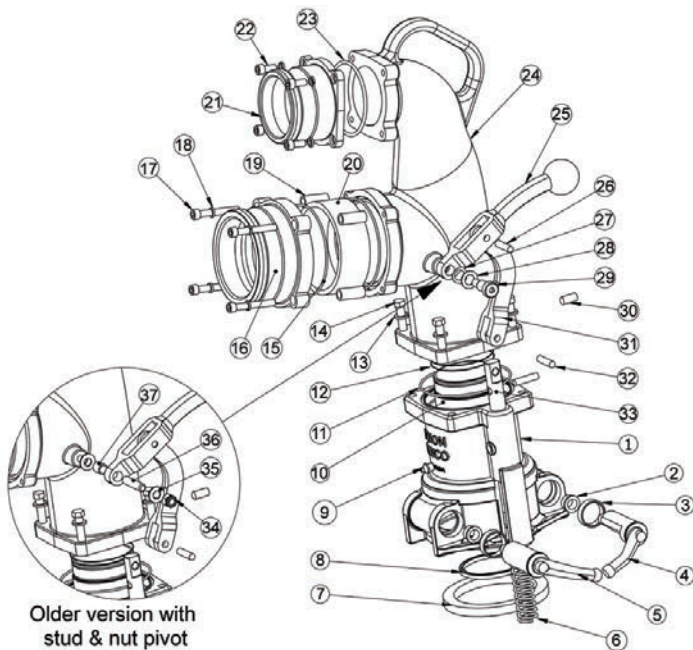
**Features:**

- for single point vapor recovery only
- 3" male vapor outlet (top)
- comes assembled with 4" male inlet
- quality cast aluminum construction with solid bronze arms
- bolt-on inlets/outlets for easy, fast replacement
- acrylic sight glass with buna seals
- replacement parts are available, please contact Dixon™
- 6400 co-axial inlets do not fit our other elbow series

Inlet	Outlet	Part #	Aluminum	Price/E
4" male	3" male vapor	<b>6400</b>		<b>\$1363.95</b>

## 6400 Series Coaxial Drop Elbows

**Repair Kits**



Part #	Description	Includes Item #	Price/E
<b>6230</b>	complete standard	1-7, 9, 11, 32, 33A	<b>\$442.85</b>
<b>6230X</b>	replacement bottom unit complete tall replacement bottom unit	1-7, 9, 11, 32, 33B	<b>520.05</b>
<b>6400ARK</b>	replacement L & R arms, main gasket, O-rings, small & large bushings	2-5, 7, 8, 11, 12	<b>186.80</b>
<b>6200BK</b>	replacement small & large bushings	2, 3	<b>44.10</b>
<b>6400SGK</b>	replacement sight glass and seal	15, 20	<b>50.60</b>
<b>6200-15ASSM</b>	replacement handle, lever and pin	25, 26, 31	<b>58.00</b>
<b>6000EHK</b>	replacement bolts and washers	13, 14	<b>9.10</b>
<b>6400-DTK</b>	replacement tube, O-ring & U cup seal	8, 10, 12	<b>114.35</b>
<b>6200SHK</b>	replacement pivot stud, bushing, washer and lock nut	34-37	<b>16.95</b>
<b>6200SBK</b>	replacement shoulder bolt pivot, wave washer and flat washer	27-29	<b>5.30</b>

## Coaxial Drop Elbow Replacement Fuel Inlets



**Features:**

- for use with 6400 series coaxial elbows only
- rated for petroleum service, Ethanol to E100 and biodiesel to B20

Description	Part #	Aluminum	Price/E
3" adapter fuel inlet	<b>6000-16C</b>		<b>\$99.90</b>
4" adapter fuel inlet	<b>6000-17C</b>		<b>99.90</b>
3" coupler fuel inlet	<b>6000-15C</b>		<b>183.15</b>
4" coupler fuel inlet	<b>6000-14C</b>		<b>183.15</b>

S

## Side Seal Drop Elbow

**Features:**

- for use with special 4" side seal style fill collars only
- modular, easy to repair, bolt together aluminum construction
- comes with acrylic sight glass with buna seals (2), bronze locking levers and buna main seal
- 4" male adapter inlet and lock ring installed
- replacement parts are available, please contact Dixon™



Description	Part #	Aluminum	
			Price/E
side seal elbow with lock ring and 4" male adapter inlet	<b>6000ASAL</b>		<b>\$829.75</b>

## Side Seal Adapter

**Features:**

- allows conventional elbows to be used with special side seal style fill collars
- bottom connects to side seal fill collar
- top section with standard 4" top seal collar profile to accept clamping of standard 4" drop elbows
- replacement parts are available, please contact Dixon™



Description	Part #	Aluminum	
			Price/E
4" top seal drop elbow adapter x side seal connection	<b>6000-SSA</b>		<b>\$377.15</b>



## Tank Truck Flanged Sight Flow Indicators

**Features:**

- Due to the proprietary blending of petroleum products, Dixon™ recommends that thermoplastic tubing and gaskets be immersion tested in the product to be handled to ensure compatibility (not compatible with crude oil).
- for tank truck flange gaskets, see page 58
- for dimensional information on tank truck flange drilling, see page 839
- maximum flange bolt torque is 200 in-lb (inch pounds)



**Features:**

- durable cast aluminum housing, replaces competitions all acrylic sight glass as commonly found on tank trucks
- allows for visual identification of the fuel grade prior to opening the valve
- works with tank truck flanged butterfly valves found on gasoline trucks
- low cost sight glass tube can be easily replaced

**TTMA pattern flanged short sight flow indicators**



Size	Width	Aluminum	
		Part #	Price/E
4"	1 3/4"	<b>5200-SFI</b>	<b>\$180.95</b>
3"	1 3/4"	<b>5200-SFI-3</b>	<b>165.55</b>

**repair kits**

Part #	Description	Price/E
<b>5200-SFI-3-RK1</b>	3" replacement sight glass, Baylast™ O-ring and retainer ring kit	<b>\$80.75</b>
<b>5200-SFI-3V-RK1</b>	3" replacement sight glass, FKM O-ring and retainer ring kit	<b>149.60</b>
<b>5200-SFI-RK1</b>	4" replacement sight glass, Baylast™ O-ring and retainer ring kit	<b>80.75</b>
<b>5200-SFIV-RK1</b>	4" replacement sight glass, FKM O-ring and retainer ring kit	<b>149.60</b>

**Features:**

- allows for visual identification of the fuel grade prior to opening the valve
- works with tank truck flanged butterfly valves found on gasoline trucks
- larger ID 4 3/8" flow indicator allows tank truck flanged butterfly valves to connect to either end of the indicator
- pressure rating: **150 PSI**

**sight flow indicator with 4 3/8" flow**



Size	Width	Aluminum		Opt Qty
		Part #	Price/E	
4"	3 1/4"	<b>5201-SFI</b>	<b>\$256.25</b>	5

**replacement parts**

Description	Used on	Part #	Price/E
replacement Baylast O-rings, sight glass and retaining ring	5201-SFI	<b>5201-SFI-RK1</b>	<b>\$84.45</b>
Buna-N O-ring		<b>O249BU</b>	<b>4.75</b>

**Features:**

- allows for visual identification of the fuel grade prior to opening the valve
- 4" flow diameter

**sight flow indicator with 4" flow**



Size	Aluminum		Opt Qty
	Part #	Price/E	
4"	<b>4-1460-AL</b>	<b>\$190.10</b>	10

**replacement parts**

Description	Part #	Price/E	Opt Qty
plexiglass insert	<b>4PSG</b>	<b>\$84.00</b>	10
Buna-N O-ring	<b>O246BU</b>	<b>4.25</b>	10

S

## Fill Pipe Adapters

### TFA Series Adapters

**Feature:**

- for use with 3" drop elbows (300-TFG)

Adapter Size	Female NPT	Aluminum Hardcoat Part #	Price/E	Opt Qty
3"	3"	<b>300-TFA</b>	<b>\$62.65</b>	10



## Fill Adapters

**Features:**

- for use with 4" drop and co-axial elbows (6200, 6400 and 6500 series)
- **BZ4051S** has NPSM thread and is supplied with a gasket

Adapter Size	Female Thread	Height	Material	Part #	Price/E	Opt Qty
4"	4" NPSM	2 $\frac{5}{8}$ "	bronze	<b>BZ4051S</b>	<b>\$110.55</b>	5
4"	4" NPT	3 $\frac{1}{2}$ "	bronze	<b>BZ4051</b>	<b>132.50</b>	5



with NPSM thread



with NPT thread

## Vapor Recovery Adapters

**Features:**

- for use with dual point vapor elbows (VR6200 series)
- can also be used as vapor valve on tanker but does not have air interlock mount
- popped vapor collar at station vapor outlet
- low profile design
- replacement parts are available, contact Dixon™ for more information

Adapter Size	Female Thread	Height	Material	Part #	Price/E	Opt Qty
4"	4" NPT	3 $\frac{5}{8}$ "	bronze	<b>VR4086</b>	<b>\$313.25</b>	5
4"	4" NPT	3 $\frac{5}{8}$ "	ZN-AL alloy	<b>VR4086-BY</b>	<b>246.60</b>	5



## Fill Pipe Adapter Caps

**Features:**

- single action aluminum locking cap
- bronze cam arms
- replacement parts are available, contact Dixon™ for more information

Size	Aluminum Part #	Price/E	Opt Qty
4"	<b>SA4050AL</b>	<b>\$106.10</b>	10



S



## API Dust Caps



with cam arms



with locking arms

Size	Description	Aluminum		Opt Qty
		Part #	Price/E	
4" API	with flat Buna gasket and brass cam arms	<b>41450-DCAL</b>	<b>\$159.00</b>	5
	with O-ring Baylast™ seal and brass cam arms	<b>5000-24</b>	<b>127.90</b>	10
	with locking arms	<b>5000-24L</b>	<b>131.85</b>	1

Size	Description	Nylon		Opt Qty
		Part #	Price/E	
4" API	with flat Buna seal and plated steel pad lockable roller lever	<b>5000-25</b>	<b>\$90.85</b>	20

### Repair Kits

Part #	Description	Item #	Price/E
<b>4500RK</b>	replacement cam arms, pins and Baylast™ O-ring seal (standard)	2, 3, 4A	<b>\$27.60</b>
<b>4500RK-V</b>	replacement cam arms, pins and FKM O-ring seal (optional)	2, 3, 4B	<b>48.30</b>
<b>5205-RK4</b>	replacement 18" chain and S hook	5	<b>11.10</b>

## Gravity Drop Adapters

### Application:

- for offloading through an API adapter



4540

Adapter Size	Coupler Size	Description	Aluminum	
			Part #	Price/E
3"	4" API	with Baylast™ O-ring seal	<b>4530</b>	<b>\$202.00</b>
3"	4" API	with inline sight glass and Baylast™ flat gasket	<b>4530SG</b>	<b>257.00</b>
3"	4" API	with flat Buna gasket	<b>31440-225AL</b>	<b>183.80</b>
4"	4" API	with Baylast™ O-ring seal	<b>4540</b>	<b>202.00</b>
4"	4" API	with inline sight glass and Baylast™ flat gasket	<b>4540SG</b>	<b>259.45</b>
4"	4" API	with flat Buna gasket	<b>41440-225AL</b>	<b>189.60</b>

### repair kits

Description	Part #	Price/E
sight glass repair kit (fits 3" and 4")	<b>4540SG-RK1</b>	<b>\$67.55</b>
replacement cam arms and pins (fits 3" and 4")	<b>4540SG-RK3</b>	<b>30.80</b>
replacement chain and "S" hook	<b>5205-RK4</b>	<b>11.10</b>

### replacement gaskets

Description	Material	Part #	Price/E
O-ring replacement seal for 4530, 4540, 5000-24	Baylast	<b>4500-5</b>	<b>\$7.30</b>
flat replacement gasket for 4530SG, 4540SG	Baylast	<b>4540SG-RK2</b>	<b>8.80</b>
flat replacement gasket for 31440-225AL, 41440-225AL, 41450-DCAL	Buna	<b>2143SEALBU</b>	<b>13.00</b>
flat replacement gasket for 5000-25	Buna	<b>5000-25RK1</b>	<b>17.15</b>



4540SG

S



## 4" Vapor Caps

**Features:**

- special locking cap for underground tank vapor outlet, VR4086, and tanker vapor valves
- bronze cam arms
- aluminum painted vapor recovery orange

Size	Aluminum	
	Part #	Price/E
4"	<b>VR4050AL</b>	<b>\$108.40</b>



**Features:**

- centered 'T' handle allows for one-handed use and provides a solid locking mechanism
- strong and lightweight
- built-in locking feature
- corrosion resistant materials
- color coded vapor recovery orange
- replacement parts are available, contact Dixon™ for more information

Size	Nylon	
	Part #	Price/E
4"	<b>VR4050PL</b>	<b>\$66.75</b>



## Dust Caps and Plugs with Pull Handles for Hose Tubes

**Features:**

- Pull handles make it easier for tanker operators to remove delivery hoses from the storage tubes; the operator simply grabs the handle and easily pulls the hose out of the storage tube.
- Rugged aluminum constructed parts protect the hose coupling and adapter from damage during transportation and the removal of hoses from the hose storage tube.
- prevents possible environmental issues due to leaking residue left in an open hose

**Materials:**

- aluminum body, brass cam arms (dust caps), buna seals

Part #	Description	Price/E
<b>300-DC-ALPH</b>	3" aluminum dust cap with pull handle	<b>\$79.80</b>
<b>300-DP-ALPH</b>	3" aluminum dust plug with pull handle	<b>51.50</b>
<b>400-DC-ALPH</b>	4" aluminum dust cap with pull handle	<b>91.85</b>
<b>400-DP-ALPH</b>	4" aluminum dust plug with pull handle	<b>42.15</b>



400-DC-ALPH



400-DP-ALPH

**!** *Dust caps and dust plugs are not to be used in pressure applications for safety and environmental reasons.*

## Tank Transport Equipment

### Fusible Pipe Caps



#### female NPSM

Size	Stainless Steel <sup>1</sup>		Opt Qty	Aluminum		Opt Qty	Iron		Opt Qty
	Part #	Price/E		Part #	Price/E		Part #	Price/E	
3"	<b>300-SFC-SS</b>	<b>\$118.90</b>	10	<b>300-SFC-AL</b>	<b>\$119.55</b>	10	<b>300-SFC-MI</b>	<b>\$120.00</b>	10

### Pipe Caps



#### female NPSM

Size	Stainless Steel <sup>1</sup>		Opt Qty	Aluminum		Opt Qty	Iron		Opt Qty
	Part #	Price/E		Part #	Price/E		Part #	Price/E	
2"	<b>200-PC-SS</b>	<b>\$121.00</b>	--	---	---	--	<b>200-PC-MI</b>	<b>\$40.00</b>	---
3"	<b>300-PC-SS</b>	<b>89.75</b>	10	<b>300-PC-AL</b>	<b>\$44.75</b>	10	<b>300-PC-MI</b>	<b>50.40</b>	10
4"	<b>400-PC-SS</b>	<b>248.00</b>	--	---	---	--	---	---	---

### Reducers



#### female NPSM x male NPT

Female NPSM	Male NPT	Stainless Steel <sup>1</sup>		Opt Qty	Aluminum		Opt Qty	Iron		Opt Qty
		Part #	Price/E		Part #	Price/E		Part #	Price/E	
3"	2"	<b>3020-RD-SS</b>	<b>\$140.00</b>	10	<b>3020-RD-AL</b>	<b>\$75.00</b>	10	<b>3020-RD-MI</b>	<b>\$58.00</b>	10
4"	3"	<b>4030-RD-SS<sup>2</sup></b>	<b>570.00</b>	---	<b>4030-RD-AL</b>	<b>128.00</b>	---	---	---	---

<sup>2</sup> welded fabrication

### Reducing Cap



#### female NPSM x female NPT

Size	Stainless Steel <sup>1</sup>		Opt Qty
	Part #	Price/E	
3" x 1"	<b>3010-RC-SS</b>	<b>\$196.00</b>	10

<sup>1</sup> PTFE gaskets are standard in stainless steel fittings.

## Gaskets and Washers

Size	Buna-N		Opt Qty	PTFE		Opt Qty	Neoprene		FKM	
	Part #	Price/E		Part #	Price/E		Part #	Price/E	Part #	Price/E
1½"	---	---	--	<b>150GPCTF</b>	<b>\$5.70</b>	--	---	---	---	---
2"	<b>200GPCBU</b>	<b>\$2.10</b>	25	<b>200GPCTF</b>	<b>4.95</b>	10	<b>KNW25</b>	<b>\$0.85</b>	<b>KVW25</b>	<b>\$10.10</b>
3"	<b>300GPCBU</b>	<b>2.35</b>	25	<b>300GPCTF</b>	<b>6.45</b>	25	<b>KNW35</b>	<b>1.35</b>	<b>KVW35</b>	<b>21.85</b>
4"	---	---	--	<b>400GPCTF</b>	<b>15.00</b>	--	<b>KNW40</b>	<b>2.15</b>	---	---

## Tank Transport Equipment - Intermodal Pipe Caps

### female BSPP

Size	Aluminum		Stainless Steel <sup>1</sup>		Opt Qty
	Part #	Price/E	Part #	Price/E	
3"	<b>300PCALAP</b>	<b>\$59.95</b>	<b>300PCSSAP</b>	<b>\$102.50</b>	10



### Thread Adapters

#### female BSPP x male NPT

Female BSPP	Male NPT	Stainless Steel <sup>1</sup>	
		Part #	Price/E
3"	2"	<b>3020RDSSAP</b>	<b>\$175.00</b>
3"	3"	<b>3030RDSSAP</b>	<b>255.00</b>



### Cam and Groove Adapter

#### female BSPP

Size	Stainless Steel <sup>1</sup>	
	Part #	Price/E
3"	<b>300ASSAP</b>	<b>\$152.00</b>



<sup>1</sup> PTFE gaskets are standard in stainless steel fittings

## Pump Adapters

**Features:**

- used to convert MBSP pump outlets to MNPT
- hard-coated, extruded 6061-T6 aircraft aluminum alloy
- other sizes, configurations are available, contact Dixon™

Female BSP	Male NPT	Aluminum	
		Part #	Price/E
1½"	1½"	<b>AHA15BSP15T</b>	<b>\$105.70</b>
2"	2"	<b>AHA20BSP20T</b>	<b>138.50</b>
3"	3"	<b>AHA30BSP30T</b>	<b>207.05</b>
4"	4"	<b>AHA40BSP40T</b>	<b>286.40</b>



## Bayonet Style Dry Disconnect Couplings

**Application:**

- ideally suited for the spill-less transfer of petroleum products such as fuel oil, lube oil blending, and tank truck delivery

**Feature:**

- design ensures a spill free connection, fluid cannot flow until couplings are connected together and the valve is opened; coupling can then not be disconnected until the valve handle is closed
- maximum operating pressure: **85 PSI @ 70° F**, for pressure ratings at other temperatures contact Dixon™

### Adapters

#### bayonet style adapter x female NPT



Size	Seal Material	Stainless Steel		Brass		Aluminum	
		Part #	Price/E	Part #	Price/E	Part #	Price/E
2"	Buna	<b>BA31-200</b>	\$215.75	---	---	---	---
2"	FKM	<b>BA32-200</b>	215.75	---	---	---	---
3"	Buna	---	---	<b>BA31-300</b>	\$523.35	<b>BA61-300</b>	\$479.45
3"	FKM	---	---	<b>BA32-300</b>	523.35	<b>BA62-300</b>	479.45

### Dust Cap for Adapters



**Feature:**

- rubber dust cap with stainless steel chain

Size	Part #	Price/E
2"	<b>BAC-200</b>	\$50.95
3"	<b>BAC-300</b>	56.65

### Couplers

- replacement parts are available, contact Dixon™ for more information

#### bayonet style 90° swivel coupler x female NPT



Size	Seal Material	Anodized Aluminum	
		Part #	Price/E
2"	Buna	<b>BS61-200</b>	\$864.95
2"	FKM	<b>BS62-200</b>	932.90
3"	Buna	<b>BS61-300</b>	1478.20
3"	FKM	<b>BS62-300</b>	1596.10

#### bayonet style straight coupler x female NPT



Size	Seal Material	Anodized Aluminum	
		Part #	Price/E
2"	Buna	<b>BC61-200</b>	\$687.20
2"	FKM	<b>BC62-200</b>	749.15

#### bayonet style straight swivel coupler x female NPT



Size	Seal Material	Anodized Aluminum	
		Part #	Price/E
2"	Buna	<b>BSS61-200</b>	\$864.95
2"	FKM	<b>BSS62-200</b>	932.90
3"	Buna	<b>BSS61-300</b>	1396.35
3"	FKM	<b>BSS62-300</b>	1516.20

### Dust Plug for Couplers



**Feature:**

- rubber dust plug with stainless steel chain

Size	Part #	Price/E
2"	<b>BCP-200</b>	\$64.55
3"	<b>BCP-300</b>	73.45

## Ball Nozzles for Bulk Delivery

**Features:**

- rugged construction, high flow provides rapid fuel oil transfer/delivery
- heavy duty roller ball swivel with low temperature seals freely rotates without leaking at **-40°F** and **100 PSI**
- 3 PSI check valve is included to prevent back flow, 5 PSI is optional

**ball nozzle with swivel adapter outlet**

Female NPT Inlet	Outlet	Anodized Aluminum	
		Part #	Price/E
1¼"	swivel quick fill nut	<b>BL062</b>	<b>\$729.25</b>
1½"	swivel quick fill nut	<b>BL064</b>	<b>729.25</b>

**ball nozzle with spout outlet**

Female NPT Inlet	Spout Outlet	Anodized Aluminum	
		Part #	Price/E
1¼"	1¼"	<b>BL066</b>	<b>\$729.25</b>
1½"	1¼"	<b>BL068</b>	<b>729.25</b>
1½"	1½"	<b>BL072</b>	<b>729.25</b>

**ball nozzle replacement spouts**

Size	Aluminum	
	Part #	Price/E
1¼"	<b>1143A</b>	<b>\$55.50</b>
1½"	<b>1125A</b>	<b>60.40</b>

**ball nozzle without spout outlet**

Female NPT Inlet	Female NPT Outlet	Anodized Aluminum	
		Part #	Price/E
1¼"	1¼"	<b>BL066NS</b>	<b>\$618.15</b>
1½"	1¼"	<b>BL068NS</b>	<b>619.20</b>
1½"	1½"	<b>BL072NS</b>	<b>618.15</b>

**repair kits**

Description	Part #	Price/E
inlet swivel seal and wear kit	<b>SWMF-RK2</b>	<b>\$54.25</b>
complete inlet swivel rebuild kit	<b>SWMF-RK3</b>	<b>118.80</b>
1½" FNPT replacement inlet swivel	<b>SWMF-RK4</b>	<b>208.95</b>
1¼" FNPT replacement inlet swivel	<b>SWMF-RK5</b>	<b>208.95</b>
1½" BSPP replacement inlet swivel	<b>SWMF-RK6</b>	<b>208.95</b>
replacement swivel outlet (BL062, BL064)	<b>BL005</b>	<b>100.95</b>
ball valve shaft seal kit	<b>BL-RK4</b>	<b>48.90</b>
complete ball nozzle seal kit	<b>BL-RK10</b>	<b>47.65</b>
optional check valve 5 PSI spring kit	<b>BL-RK11</b>	<b>20.60</b>
standard check valve 3 PSI cartridge kit	<b>BL-RK12</b>	<b>77.00</b>

**super ball nozzle with spout outlet**

Female NPT Inlet	NPT Spout Outlet	Anodized Aluminum	
		Part #	Price/E
2"	2"	<b>BL920</b>	<b>\$840.05</b>

**super ball nozzle replacement spout**

Size	Aluminum	
	Part #	Price/E
2"	<b>391137</b>	<b>\$84.45</b>

**repair kits**

Description	Part #	Price/E
inlet swivel grease nipple kit (optional)	<b>SWMF-RK1</b>	<b>\$16.25</b>
inlet swivel seal and wear kit	<b>SWMF-RK22</b>	<b>32.05</b>
complete inlet swivel rebuild kit	<b>SWMF-RK32</b>	<b>117.25</b>
2" FNPT replacement inlet swivel	<b>SWMF-RK42</b>	<b>240.25</b>
1½" FNPT replacement inlet swivel	<b>SWMF-RK52</b>	<b>240.25</b>
ball valve shaft seal kit	<b>BL-RK42</b>	<b>67.45</b>
complete ball nozzle seal kit	<b>BL-RK102</b>	<b>35.45</b>
optional check valve 5 PSI spring kit	<b>BL-RK112</b>	<b>9.50</b>
standard check valve 3 PSI cartridge kit	<b>BL-RK122</b>	<b>45.50</b>
replacement trigger kit	<b>BL-RK13</b>	<b>70.00</b>



BL062



BL072



S



## Gravity Utility Nozzles

**Application:**

- for use with 12 volt pumps and gravity flow fittings in economy fuel dispensing applications

**Features:**

- manual operation (non-automatic)
- Underwriters Listed
- working pressure: **25 PSI**



Female NPT Inlet	Spout Outlet	Die Cast Zinc Aluminum Part #	Price/E
1"	1" outlet	<b>900<sup>1</sup></b>	<b>\$69.50</b>
1"	1" straight	<b>900S</b>	<b>78.45</b>
1"	1" bent	<b>900B</b>	<b>78.45</b>
1"	3/4" straight	<b>900W34S</b>	<b>78.43</b>
1"	3/4" bent	<b>900W34B</b>	<b>78.43</b>
3/4"	3/4" straight	<b>900S34<sup>2</sup></b>	<b>81.75</b>
3/4"	3/4" bent	<b>900B34<sup>2</sup></b>	<b>81.75</b>

<sup>1</sup> nozzle body only (no spout)

<sup>2</sup> 3/4" nozzle inlet uses 1" x 3/4" reducer bushing, supplied

**replacement parts**

Description	Part #	Price/E
3/4" replacement straight spout	<b>234-80-4</b>	<b>\$12.00</b>
3/4" replacement bent spout	<b>234-80-5</b>	<b>18.20</b>
1" replacement straight spout	<b>875-4</b>	<b>12.25</b>
1" replacement bent spout	<b>875-5</b>	<b>13.00</b>
trigger	<b>900TK</b>	<b>5.05</b>
plunger & valve assemblies, cap, O-ring	<b>900SK</b>	<b>20.50</b>

## Pressure Nozzle for Bulk Delivery

**Features:**

- manual operation (non-automatic) for high pressures and fuel flow up to **100 GPM**
- easy opening dash pot design with shockless closing
- detachable trigger ratchet, packing gland and seal
- bronze trigger



**without spout**

Female NPT Inlet	Female NPT Outlet	GPM @ 10 PSI	Aluminum Part #	Price/E
1 1/4"	1 1/4"	80	<b>114DNS</b>	<b>\$406.10</b>
1 1/2"	1 1/2"	100	<b>112DNS</b>	<b>367.50</b>

**with spout**

Female NPT Inlet	Spout Outlet	GPM @ 10 PSI	Aluminum Part #	Price/E
1 1/4"	1 1/4"	80	<b>114D</b>	<b>\$451.45</b>
1 1/2"	1 1/2"	100	<b>112D</b>	<b>394.75</b>

**replacement items**

Description	Part #	Price/E
aluminum replacement spout for 114D	<b>1143A</b>	<b>\$55.50</b>
aluminum replacement spout for 112D	<b>1125A</b>	<b>60.40</b>
main poppet, 2 <sup>nd</sup> poppet, cap O-ring, valve stem	<b>112DSK</b>	<b>99.50</b>
blank plate to replace ratchet plate if ratchet not required	<b>114DAL-AV-19</b>	<b>24.75</b>
main and secondary poppets, cap O-ring, valve stem assembly and packing, sleeve stem packing and nut	<b>114DSK</b>	<b>124.40</b>



## Overwing Aircraft Nozzles

**Features:**

- manual operation (non-automatic) for high pressures and fuel flow up to 60 GPM at **20 PSI**
- easy opening dash pot design with shock-less closing
- detachable trigger ratchet, packing gland and seal
- bronze trigger and plastic guard pad to protect wing
- spout comes with cap, spring cord, fine mesh stainless steel screen filter and screw attachment for grounding cable (cable not supplied)

S



Female NPT Inlet	Spout Outlet	Aluminum Part #	Price/E
1 1/4"	1"	<b>114DAVR</b>	<b>\$766.65</b>
1 1/4"	1 1/4"	<b>114D-AV</b>	<b>766.65</b>
1 1/2"	1 1/4"	<b>114D-AV-06ASM</b>	<b>813.45</b>

**replacement items**

Description	Part #	Price/E
trigger, bushing, pin and cotter pin	<b>114/2D-TK</b>	<b>\$38.05</b>
main & secondary poppet assemblies, cap O-ring, valve stem assembly	<b>114DAV-SK</b>	<b>133.55</b>
1" spout assembly	<b>114DAL-AV-25</b>	<b>154.80</b>
1 1/4" spout assembly	<b>114DAL-AV-16</b>	<b>109.70</b>

## Large Capacity Low Pressure / Gravity Nozzle

**Application:**

rugged utility nozzle for low pressure/gravity applications

**Features:**

- rapid flow due to 1¼" oversize design
- maximum operating pressure: **25 PSI**

Female NPT Inlet	Spout Outlet	Aluminum Part #	Price/E
1¼"	1¼"	<b>1250-94</b>	<b>\$259.30</b>



**repair kits**

Description	Part #	Price/E
plunger, O-rings, valve seal, valve base, valve plate	<b>1250SK</b>	<b>\$16.20</b>

## Hose Swivels

**Features:**

- for use with petroleum and home heating oil hose
- prevents hose twisting or kinking

### Hose Shank

Male NPT	Shank Size	Bronze Part #	Price/E
1½"	1½"	<b>1565U</b>	<b>\$153.20</b>



**repair kit**

Description	Part #	Price/E
replacement seal kit and retaining ring	<b>1500SK</b>	<b>\$20.10</b>

## Heavy Duty

**Features:**

- male NPT x female NPT threaded connections
- heavy duty internal thrust bearing and anti-friction seal design ensures swiveling at **-40°F**
- can be lubricated without disassembly by using the optional grease fitting kit

Male NPT	Female NPT	Aluminum Part #	Price/E
1¼"	1¼"	<b>SWMF125</b>	<b>\$204.70</b>
1½"	1½"	<b>SWMF150</b>	<b>204.70</b>
2"	2"	<b>SWMF200</b>	<b>228.75</b>



**repair kits**

Description	Part #	Price/E
swivel grease nipple kit	<b>SWMF-RK1</b>	<b>\$16.25</b>
swivel seal and wear kit	<b>SWMF-RK2</b>	<b>54.25</b>
complete swivel rebuild kit	<b>SWMF-RK3</b>	<b>118.80</b>
swivel seal and wear kit	<b>SWMF-RK22</b>	<b>32.05</b>
complete rebuild kit	<b>SWMF-RK32</b>	<b>117.25</b>

## Hose Swivels

**Features:**

- allows the hose to relax to it's natural rest position while allowing freedom of movement without adding torque stress at the point of connection
- simple design, low maintenance - consists of 2 body halves, ball bearings and a washer
- male NPT x female NPT threaded connections
- FKM seals standard, Chemraz® and Kalrez® optional
- working pressure: **150 PSI**
- maximum temperature: **300°F (149°C)**

Size	316 Stainless Steel		Aluminum	
	Part #	Price/E	Part #	Price/E
¾"	<b>HS075SS</b>	<b>\$684.45</b>	<b>HS075AL</b>	<b>\$315.60</b>
1"	<b>HS100SS</b>	<b>684.45</b>	<b>HS100AL</b>	<b>315.60</b>
1½"	<b>HS150SS</b>	<b>713.60</b>	<b>HS150AL</b>	<b>370.55</b>
2"	<b>HS200SS</b>	<b>713.60</b>	<b>HS200AL</b>	<b>370.55</b>
3"	<b>HS300SS</b>	<b>1513.10</b>	<b>HS300AL</b>	<b>876.30</b>
4"	<b>HS400SS</b>	<b>2926.25</b>	<b>HS400AL</b>	<b>1695.40</b>






# Dixon™ Diesel and Gasoline Nozzles

## FuelMaster™ Diesel Nozzles


**Application:**

- truck stops and terminal operations (not designed for use with gravity flow tanks, small 12 volt or AC utility pumps, farm or consumer pumps) 

**Features:**

- high flow capacity
- Micro-touch valve provides smooth operation and exceptional flow control
- Roto-matic latch pin provides positive auto shut-off
- pure PTFE packing eliminates stem leaks
- super tough nylon hand guard
- easy to change 'locknut style' spout assembly
- green scuff guard

**Optional Features:**

- Underwriters Listed versions 
- super tough nylon trigger hold-open clip
- 'no pressure, no flow' (NPNF) safety valve prevents the trigger from being held open if pressure is not present

**Materials:**

- body and spout: aluminum
- body caps: zinc
- seals: FKM
- poppet disk: FKM
- stem packing: PTFE
- hand-guard and trigger hold open clip: super tough nylon
- trigger: steel
- snap-on cover: plastic
- scuff guard: vinyl

**Features:**


- with trigger hold-open clip
- non Underwriters Listed nozzle

NPT Inlet	Spout Outlet	Weight (lbs)	Approximate Flow Rate at 20 PSI (GPM)	Part #	Price/E
1"	1-3/16"	3.5	35	<b>DFN100HF</b>	<b>\$219.00</b>
1"	1-3/16"	3.6	45	<b>DFN100SF</b>	<b>304.00</b>



DFN100HF

**Features:**

- with trigger hold-open clip
- with 'no pressure, no flow' safety valve
- Underwriters Listed nozzle 

**NEW**


NPT Inlet	Spout Outlet	Weight (lbs)	Approximate Flow Rate at 20 PSI (GPM)	Part #	Price/E
1"	1-3/16"	3.5	35	<b>DFN100HF-NPNF</b>	<b>\$324.75</b>
1"	1-3/16"	3.6	45	<b>DFN100SF-NPNF</b>	<b>341.00</b>

**S**



DFN100SF

**Features:**

- without trigger hold-open clip
- Underwriters Listed nozzle 

**NEW**

NPT Inlet	Spout Outlet	Weight (lbs)	Approximate Flow Rate at 20 PSI (GPM)	Part #	Price/E
1"	1-3/16"	3.5	35	<b>DFN100HF-NC</b>	<b>\$273.20</b>
1"	1-3/16"	3.6	45	<b>DFN100SF-NC</b>	<b>375.15</b>

# Dixon™ Diesel and Gasoline Nozzles

## Big Mouth™ Diesel Nozzle

**Application:**


- truck stops (not designed for use with gravity flow tanks, small 12 volt or AC utility pumps, farm or consumer pumps)



**Features:**

- lightweight but strong
- Micro-touch valve provides smooth operation and exceptional flow control
- Roto-matic latch pin provides positive auto shut-off
- pure PTFE packing eliminates stem leaks
- super tough nylon hand guard
- snap-on handle cover makes changing scuff guards easy
- yellow scuff guard

**Optional Features:**

- Underwriters Listed versions 
- super tough nylon trigger hold-open clip
- 'no pressure, no flow' (NPNF) safety valve prevents the trigger from being held open if pressure is not present

**Materials:**


- body and spout: aluminum
- body caps: zinc
- seals: FKM / nitrile
- poppet disk: FKM
- stem packing: PTFE
- trigger: steel
- snap-on cover: plastic
- scuff guard: vinyl

**Features:**

- with trigger hold-open clip
- non Underwriters Listed nozzle

NPT Inlet	Spout Outlet	Weight (lbs)	Approximate Flow Rate at 20 PSI (GPM)	Part #	Price/E
1"	1 1/8"	3	27	<b>DFN100</b>	<b>\$169.00</b>

**Features:**

- with trigger hold-open clip with 'no pressure, no flow' safety valve
- Underwriters Listed nozzle 


NPT Inlet	Spout Outlet	Weight (lbs)	Approximate Flow Rate at 20 PSI (GPM)	Part #	Price/E
1"	1 1/8"	3	27	<b>DFN100-NPNF</b>	<b>\$257.75</b>



DFN100

**NEW**

**Features:**

- without trigger hold-open clip
- Underwriters Listed nozzle 

NPT Inlet	Spout Outlet	Weight (lbs)	Approximate Flow Rate at 20 PSI (GPM)	Part #	Price/E
1"	1 1/8"	3	27	<b>DFN100-NC</b>	<b>\$211.95</b>



DFN100-NC


**NEW**

**S**

# Dixon™ Diesel and Gasoline Nozzles

## Farm and Consumer Nozzles


**Application:**

- small 12 volt or AC utility pumps, farm or consumer pumps (not designed for use with gravity flow tanks) 

**Features:**

- Micro-touch valve provides smooth operation and exceptional flow control
- pure PTFE stem packing eliminates leaks
- heavy duty, strong, secure hook makes it easy to hang the nozzle on the pump
- Roto-matic latch pin provides positive auto shut-off
- Smartguard snap-on scuff guard

**Optional Features:**

- Underwriters Listed versions 
- super tough nylon trigger hold-open clip
- 'no pressure, no flow' (NPNF) safety valve prevents the trigger from being held open if pressure is not present

**Materials:**

- body and spout: aluminum
- body caps: zinc or nylon
- seals: FKM
- poppet disk: FKM
- stem packing: PTFE
- hand-guard and trigger hold open clip: super tough nylon
- trigger: steel
- snap-on cover: plastic
- scuff guard: vinyl



1" diesel nozzle

**Features:**

- with trigger hold-open clip
- non Underwriters Listed nozzle


NPT Inlet	Spout Outlet	Weight (lbs)	Approximate Flow Rate at 20 PSI (GPM)	Scuff Guard Color	Service	Part #	Price/E
3/4"	13/16"	2½	18	black	gasoline	<b>DN7UOBF</b>	<b>\$124.00</b>
3/4"	15/16"	2½	23	green	diesel	<b>DN7LOBF</b>	<b>124.00</b>
1"	1-1/8"	3	27	yellow	diesel	<b>DFN100F</b>	<b>229.10</b>

**NEW**



3/4" gasoline nozzle

**Features:**

- with trigger hold-open clip
- with 'no pressure, no flow' safety valve
- Underwriters Listed nozzle 


NPT Inlet	Spout Outlet	Weight (lbs)	Approximate Flow Rate at 20 PSI (GPM)	Scuff Guard Color	Service	Part #	Price/E
3/4"	13/16"	2½	18	black	gasoline	<b>DN7UOBF-NPNF</b>	<b>\$167.00</b>
3/4"	15/16"	2½	23	green	diesel	<b>DN7LOBF-NPNF</b>	<b>167.00</b>
1"	1-1/8"	3	27	yellow	diesel	<b>DFN100F-NPNF</b>	<b>274.95</b>

**NEW**



3/4" diesel nozzle

**Features:**

- without trigger hold-open clip
- Underwriters Listed nozzle 

NPT Inlet	Spout Outlet	Weight (lbs)	Approximate Flow Rate at 20 PSI (GPM)	Scuff Guard Color	Service	Part #	Price/E
3/4"	13/16"	2½	18	black	gasoline	<b>DN7UOBF-NC</b>	<b>\$130.00</b>
3/4"	15/16"	2½	23	green	diesel	<b>DN7LOBF-NC</b>	<b>130.00</b>
1"	1-1/8"	3	27	yellow	diesel	<b>DFN100F-NC</b>	<b>229.10</b>

**NEW**

### Fuel Nozzle Part Number Cross Reference

Dixon™	M. Carder	OPW	Emco	Husky	Catlow
DN7UOBF	N7UOBF	1AF-40FS	A2501F	XSF-33704	NENLF
DN7LOBF	N7LOBF	11APF-40FS	A2501LF	---	NELF

## Dixon™ Diesel and Gasoline Nozzles

### DEF Automatic Shutoff Nozzle

**Application:**

- automatic shutoff nozzle designed for diesel exhaust fluid

**Features:**

- aluminum body double coated inside and out with PTFE baked on at 500°F
- stainless steel spout
- maximum operating pressure: **50 PSI**
- wetted parts: stainless, acetal, PTFE
- FKM-A seals



BSP Inlet	Spout Outlet	Weight (lbs)	Approximate Flow Rate at 20 PSI (GPM)	Part #	Price/E
3/4"	13/16"	2½	18	<b>DEFN075</b>	<b>\$484.85</b>


## Dixon™ High Flow Fuel Nozzles

### Fueler 100™ Nozzles

**Application:**

- for fueling trucks, buses, off-road equipment and fuel oil delivery

**Features:**

- *These nozzles are not to be used with gravity flow tanks.* 
- machined grooves in the spout are designed to hold nozzle more securely in the fill pipe
- high flow, heavy duty automatic nozzle



NPT Inlet	Spout Size	Weight (lbs)	Approx. Flow Rate at 20 PSI (GPM)	Part #	Price/E
1½"	1¾"	6.9	60	<b>DNOG6</b>	<b>\$766.80</b>
	rebuilt Fueler 100™ nozzle			<b>DNOG6RB</b>	<b>545.25</b>

# Dixon™ Diesel and Gasoline Nozzles Accessories

## Single Plane Hose Swivels



**Features:**

- aluminum body
- brass hex nut prevents galling in the nozzle
- F-7036 Viton® seals
- nylon cord retainer

Size	Part #	Price/E
3/4" x 3/4"	<b>DAWS34</b>	<b>\$46.50</b>
1" x 1"	<b>DAWS10</b>	<b>70.25</b>

## Multi-Plane Hose Swivels



**Features:**

- brass male end will not gall in nozzle castings
- dual O-rings seal with all fuels
- machined brass sleeve gives smooth seal surface - no leaks
- internal nylon retainer cord secures firmly but allows free rotation

**Materials:**

- body: machined aluminum casting; male end: machined brass bar stock; sleeve: machined brass bar stock

Size	Part #	Price/E
3/4" male NPT x 3/4" female NPT	<b>DAC3434</b>	<b>\$74.70</b>
1" male NPT x 3/4" female NPT	<b>DAC1034</b>	<b>74.70</b>

## Breakaways

**Features:**

- aluminum body
- brass break rings (2)
- F-7036 Viton® seals
- unique ball valves seal both ends when separated
- design provides consistent and reliable performance
- lightweight
- easy to repair
- 3/4" are Underwriter's Listed



Size	Part #	Separation Force (Lbs)	Price/E
3/4"	<b>DAB34</b>	325	<b>\$68.60</b>
1"	<b>DAB1</b>	325	<b>143.00</b>

**Application:**

Provides breakaway protection for high capacity fueling operations such as truck and bus terminals, mining, off-road fueling and fuel oil delivery.

**Features:**

- nickel plated aluminum body
- brass break rings: 4 in 1 1/4" and 1 1/2"; 6 in the 2"
- F-7036 Viton® seals
- check valve - PTFE ball seals both ends when separated



Size	Part #	Separation Force (Lbs)	Price/E
1 1/4"	<b>DAB14</b>	600	<b>\$908.00</b>
1 1/2"	<b>DAB15</b>	600	<b>908.00</b>
2"	<b>DAB2</b>	800	<b>1845.00</b>

S

## Full Flow Ball Valves

### Features:

- high flow rate; low pressure drop
- wetted parts are aluminum and stainless steel
- FPM seals
- spindle can be disassembled even when ball valve is installed
- working pressure: **150 PSI** at ambient temperature (70°F)
- standard valve ports - female NPT, socket weld for Schedule 40 pipe and grooved
- optional ports include DN flange, butt weld and 150# flange, contact Dixon™ for details
- two ports - one inlet and one outlet

### One-Way Valves with Female NPT ends

Size	Aluminum	
	Part #	Price/E
2"	<b>1WAYBV200</b>	<b>\$790.00</b>
3"	<b>1WAYBV300</b>	<b>1050.00</b>
4"	<b>1WAYBV400</b>	<b>1520.00</b>



### One-Way with Socket Weld End to Schedule 40 Pipe

Size	Bore	Aluminum	
		Part #	Price/E
2"	2.390"	<b>1WAYBV200SW</b>	<b>\$816.50</b>
3"	3.530"	<b>1WAYBV300SW</b>	<b>1085.75</b>



### One-Way with Grooved Ends

Size	Aluminum	
	Part #	Price/E
2"	<b>1WAYBV200VIC</b>	<b>\$1080.00</b>
3"	<b>1WAYBV300VIC</b>	<b>1699.00</b>



## Full Flow Ball Valves

**Features:**

- high flow rate; low pressure drop
- wetted parts are aluminum and stainless steel
- FPM seals
- spindle can be disassembled even when ball valve is installed
- working pressure: **150 PSI** at ambient temperature (70°F)
- standard valve ports - female NPT, socket weld for Schedule 40 pipe and grooved
- optional ports include DN flange, butt weld and 150# flange, contact Dixon™ for details
- three ports - one inlet and two outlets, valve directs the flow from the inlet to either of the two outlets
- commonly used for switching compartments or tanks

### Two-Way with Female NPT ends



Size	Aluminum	
	Part #	Price/E
2"	<b>2WAYBV200</b>	<b>\$1100.00</b>
3"	<b>2WAYBV300</b>	<b>1370.00</b>
4"	<b>2WAYBV400</b>	<b>3070.00</b>

### Two-Way with Socket Weld End to Schedule 40 Pipe



Size	Bore	Aluminum	
		Part #	Price/E
2"	2.390"	<b>2WAYBV200SW</b>	<b>\$1140.00</b>
3"	3.530"	<b>2WAYBV300SW</b>	<b>1464.25</b>

### Two-Way with Grooved Ends



Size	Aluminum	
	Part #	Price/E
2"	<b>2WAYBV200VIC3</b>	<b>\$1490.00</b>
3"	<b>2WAYBV300VIC3</b>	<b>2495.00</b>

S

## Automatic Pressure / Vacuum Relief Caps

**Features:**

- normally closed, stops fuel evaporation and airborne contaminants
- lockable
- relieves both pressure and vacuum buildup in fuel tanks
- two styles available, choose for stationary or mobile fuel storage tanks as listed below



Note: Pressure/vacuum relief caps should be routinely inspected to ensure correct operation and particularly to ensure that the relieving components are free to move and that the air flow path is unblocked.

### For stationary fuel tanks

**Feature:**

- relieves vacuum at .7 Hg (.33 PSI) and pressure at 2 PSI, 20 SCFM flow

Male NPT	Part # <i>Zinc</i>	Price/E
2"	<b>2000L</b>	<b>\$45.85</b>
2½"	<b>2500L</b>	<b>48.30</b>



### For mobile fuel tanks

**Feature:**

- relieves vacuum relief at 1" Hg (.5 psig), and pressure at between 7.5 and 9 psig

Male NPT	Part # <i>Zinc</i>	Price/E
2"	<b>200-PV-9</b>	<b>\$99.90</b>



### Standard Vent Cap

**Features:**

- allows venting of tank to atmosphere at all times
- also referred to as a breather cap
- aluminum body
- does not have pressure or vacuum valves

Male NPT	Part # <i>Aluminum</i>	Price/E
2½"	<b>2500SFV</b>	<b>\$43.20</b>





## Swivel Joints



### Applications:

- used wherever a leak-proof swivel connection is needed in pipelines or in combination with hoses to eliminate hose twisting
- Industries range from petroleum, petrochemical, refining, mining, distilling, paint, farm irrigation and fertilizing, wastewater treatment plants and food and beverage process equipment. Dixon™'s swivel joints are found in blending plants, drum filling applications, fluid and dry bulk transfer, vacuum trucks, oil and gas trucks and water trucks. Larger swivels can be found in the steel industry, marine bulk transfer and many more.

### Features:

- full 360° rotational movement
- wide spacing between dual ball bearing raceways ensures greater load bearing capacity
- precision-machined design ensures alignment and years of trouble-free service
- O-ring dust seal protects the ball races and seals chamber from outside elements
- radius elbow design ensures a smooth flow pattern
- hydrostatic testing is performed on all swivels before shipment

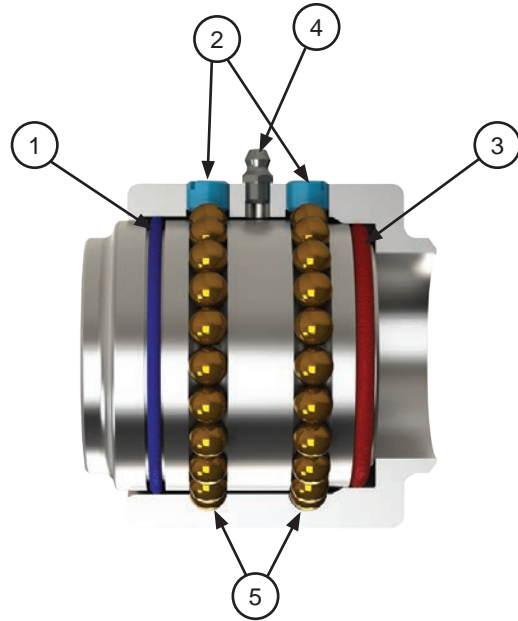
### Options Available:

- end configurations: female NPT, 150# flanges, TTMA flange, grooved, weld end and many other variations
- seal options: Buna, FKM, PTFE, EPDM, FDA Buna, FFKM
- ball bearing materials: carbon steel, 440 stainless steel, and 316 stainless steel
- grease materials: Lithium, FDA approved/food grade and silicone
- swivels that include oxygen, steam or submerged service can be specifically designed for unique applications (special order)
- 100% full penetration weld
- re-build kits available
- custom swivel options available, contact Dixon™ at 888.226.4673

## O-ring Swivel Joints

### O-ring Parts Identification List

1. O-ring (dust) seal
2. ball retainer screw
3. O-ring (pressure) seal
4. grease fitting
5. ball bearings



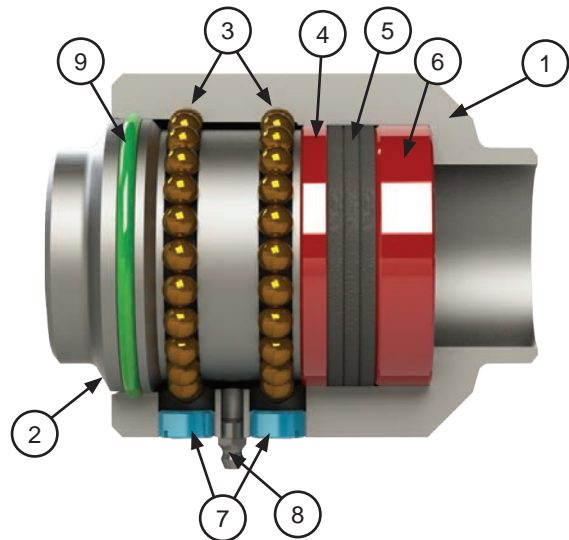
#### O-ring Features:

- sizes: 1"-4"
- O-ring pressure seal ensures a leak-proof seal and smooth rotation with lower torque.
- available working pressure ratings up to 1000 PSI
- available in carbon steel, 316L stainless steel, aluminum, brass and malleable iron

## V-ring Swivel Joints

### V-ring Parts Identification List

1. body
2. sleeve
3. ball bearings
4. seal retainer
5. V-ring (pressure) seal
6. spring retainer
7. ball retainer screw
8. grease fitting
9. O-ring (dust) seal



#### V-Ring Features:

- 2"-12" size range
- spring loaded triple V-ring sealing system ensures a leak-proof seal at either high or low pressure and extends seal life
- available working pressure ratings up to 1000 PSI
- available in carbon steel, 316L stainless steel and limited aluminum

## Swivel Joint Styles Planes of Rotation

### Single Plane Style 20



female NPT x female NPT



150# ASA flange x 150# ASA flange

Size	Aluminum		Malleable Iron	
	Part #	Price/E	Part #	Price/E
1½"	<b>15020FXFAL00000</b>	<b>\$270.70</b>	<b>15020FXFMI00000</b>	<b>\$342.60</b>
2"	<b>220FXFAL00000</b>	<b>376.15</b>	<b>220FXFMI00000</b>	<b>472.95</b>
3"	<b>320FXFAL00000</b>	<b>435.85</b>	<b>320FXFMI00000</b>	<b>701.10</b>
4"	<b>420FXFAL00000</b>	<b>649.90</b>	---	---

- contact Dixon™ at 888.226.4673 for additional sizes, materials and configurations

### Single Plane Style 30



female NPT x female NPT



150# ASA flange x 150# ASA flange

Size	Aluminum		Malleable Iron	
	Part #	Price/E	Part #	Price/E
1½"	<b>15030FXFAL00000</b>	<b>\$295.20</b>	<b>15030FXFMI00000</b>	<b>\$374.05</b>
2"	<b>230FXFAL00000</b>	<b>384.15</b>	<b>230FXFMI00000</b>	<b>519.70</b>
3"	<b>330FXFAL00000</b>	<b>519.70</b>	<b>330FXFMI00000</b>	<b>777.55</b>
4"	<b>430FXFAL00000</b>	<b>697.85</b>	---	---

- contact Dixon™ at 888.226.4673 for additional sizes, materials and configurations

T

## Swivel Joint Styles Planes of Rotation

### Single Plane Style 40



female NPT x female NPT



150# ASA flange x 150# ASA flange

### Double Plane Style 50



female NPT x female NPT



150# ASA flange x 150# ASA flange

### Double Plane Style 60



female NPT x female NPT



150# ASA flange x 150# ASA flange

## Swivel Joint Styles Planes of Rotation

### Double Plane Style 70



female NPT x female NPT



150# ASA flange x 150# ASA flange

### Triple Plane Style 80



female NPT x female NPT

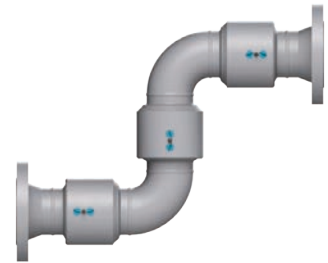


150# ASA flange x 150# ASA flange

### Triple Plane Style 10



female NPT x female NPT



150# ASA flange x 150# ASA flange

## Working Pressures

Dixon™ swivels are recommended for use at the following maximum Non-Shock Cold Working Pressures (NSCWP) provided in PSI, at ambient temperatures (70°F).

Size	V-ring Carbon Steel <b>CS</b>	O-ring Carbon Steel <b>OC</b>	V-ring Stainless Steel <b>SS</b>	O-ring Stainless Steel <b>OS</b>	Aluminum <b>AL</b>	Brass <b>BR</b>	Malleable Iron <b>MI</b>
1"	---	1000	---	1000	150	---	---
1¼"	---	---	---	---	150	---	---
1½"	---	1000	---	1000	150	300	600
2"	1000	1000	1000	1000	150	300	600
3"	1000	1000	1000	1000	150	300	600
4"	1000	---	1000	---	150	---	---
6"	1000	---	---	---	150	---	---
8"	---	---	---	---	150	---	---

- When using flanged ends, the pressure rating will be reduced to coincide with that of the flange being used. Carbon steel and stainless steel 150# flanges are recommended for use at 275 maximum PSI at ambient temperature (70°F).
- Lubrication should be performed periodically, depending on service and operating conditions. Twice yearly is normally sufficient.
- All dimensions are approximate. Where critical, contact Dixon™ at 888.226.4673

## Ordering Information - Swivels

Size	
Style (Shape)	
End Configuration	
Material	
Maximum Working Pressure	
Temperature Range	
Media: specify product being handled (if chemical, advise concentration)	
Submerged or Oxygen Service	
If for constant rotation, advise RPM	
If for suction service, advise maximum vacuum in inches of mercury (Hg)	

Our Sales and Engineering staff will be happy to help you evaluate your swivel application. Please call 888.226.4673

## Ordering Information • Swivels

Example:  $\frac{2}{[A]}$   $\frac{20}{[B]}$   $\frac{F}{[C]}$  X  $\frac{F}{[C]}$   $\frac{CS}{[D]}$   $\frac{0}{[E]}$   $\frac{0}{[F]}$   $\frac{1}{[G]}$   $\frac{0}{[H]}$   $\frac{0}{[I]}$

<b>A</b> Size					
<b>B</b> Style					
<b>C</b> End Connections	<b>W</b> Weld End	<b>F</b> Female NPT	<b>FG</b> 150# ASA Flange	<b>TF</b> Tank Truck Flange	<b>PF</b> 300# ASA Flange (not available in aluminum)
<b>D</b> Material	<b>CS (V-ring)</b> Carbon Steel OC (O-ring) Carbon Steel	<b>SS (V-ring)</b> Stainless Steel OS (O-ring) Stainless Steel	<b>AL</b> Aluminum	<b>BR</b> Brass	<b>MI</b> Malleable Iron

Code	<b>E</b> Pressure Seal	<b>F</b> Dust Seal	<b>G</b> Retainers	<b>H</b> Ball Bearings	<b>I</b> Grease
0	Buna N (Standard)	Buna N (Standard)	No Retainers (O-ring Swivel)	Carbon Steel (Standard)	Lithium
1	FKM	FKM	Aluminum (Standard in CS V-ring)	440 Grade SS	FDA Approved/ Food Grade
2	PTFE	.....	PTFE (Standard in SS V-ring)	316 Grade SS	Silicone (Required with EPR Seals)
3	Ethylene Propylene (Requires Silicone Grease)	Ethylene Propylene (Requires Silicone Grease)	.....	.....	.....
4	FDA Buna (O-ring Only)	FDA Buna	.....	.....	.....



The Swivel should be packed such that the surfaces coming in contact with the fluid being handled are compatible with that fluid. In a case where the swivel is being used in a submerged service, this would include the dust seals and ball bearings. We always recommend the use of the stainless steel ball bearings when building a swivel for submerged service. Standard carbon steel ball bearings could rust together, making it impossible to disassemble the swivel and may affect operation.

## TTMA Flanged Breakaway Coupling



### Features:

- minimizes spillage and damage associated with drive away and pull away incidents
- installs between an API coupler and loading arm
- coupling automatically senses excessive load, closes the valves and disconnects
- high flow rate / low pressure drop
- **230 PSI** at ambient temperature (70°F)
- FKM/FPM is standard seal

Size	Aluminum Part #	Price/E
4"	<b>SBC400ALTTMA</b>	<b>\$5267.00</b>

## TTMA Series Flange Adapters

### Features:

- simply and easily converts threaded components to a standard TTMA flange configuration
- solid cast lightweight aluminum design is more durable than welded fabrications
- design improves flow through adapter
- compact size reduces the overall space needed to install
- for flange drilling standards, see page 839

### Male Threaded

#### TTMA flange x standard male NPT



TTMA Flange	Male NPT	Overall Length	Aluminum Part #	Price/E
3"	3"	2½"	<b>TTF3AL-3MT</b>	<b>\$87.50</b>
4"	3"	2½"	<b>TTF4AL-3MT</b>	<b>65.90</b>
4"	4"	2½"	<b>TTF4AL-4MT</b>	<b>61.10</b>

### Extended Length - Male Threaded

#### TTMA flange x extended length male NPT



TTMA Flange	Male NPT	Overall Length	Aluminum Part #	Price/E
4"	3"	5½"	<b>TTF4AL-3EMT</b>	<b>\$87.50</b>
4"	4"	5½"	<b>TTF4AL-4EMT</b>	<b>102.15</b>

### Female Threaded

#### TTMA flange x female NPT



TTMA Flange	Female NPT	Overall Length	Aluminum Part #	Price/E
4"	3"	2½"	<b>TTF4AL-3FT</b>	<b>\$78.35</b>
4"	4"	2½"	<b>TTF4AL-4FT</b>	<b>78.05</b>

### Slip-on

#### TTMA flange x socket weld



TTMA Flange	Pipe Size	Aluminum Part #	Price/E
4"	4"	<b>TTF400SP</b>	<b>\$67.00</b>

## Round Tank Truck Flange Gaskets (TTMA)



Size	OD	ID	THK	Material	Part #	Price/E
3"	5-5/8"	3-1/2"	1/8"	Cork / Buna	<b>300GTTFCB</b>	<b>\$3.90</b>
3"	5-5/8"	3-1/2"	1/16"	PTFE envelope with Klinger filler	<b>300GTTFTK</b>	<b>17.25</b>
3"	5-5/8"	3-1/2"	1/8"	Klingsil® C-4401	<b>300GTTFK</b>	<b>9.95</b>
3"	5-7/8"	3-1/2"	1/4"	PTFE with fiber core	<b>40321TF</b>	<b>22.65</b>
4"	6-5/8"	4-9/16"	1/8"	Cork / Buna	<b>400GTTFCB</b>	<b>4.60</b>
4"	6-5/8"	4-9/16"	1/16"	PTFE envelope with Klinger filler	<b>400GTTFTK</b>	<b>23.00</b>
4"	6-5/8"	4-9/16"	1/8"	Klingsil® C-4401	<b>400GTTFK</b>	<b>18.25</b>
4"	6-7/8"	4-9/16"	1/4"	PTFE with fiber core	<b>40322TF</b>	<b>34.00</b>

## API Couplers

### Features:

- completely modular, coupler can be built with various face seal combinations to be compatible with different alternative fuel / performance levels and applications
- 4" TTMA inlet mounting flange
- 5 cam design for easy alignment and tight connection
- ball-end handle for easy, comfortable operation
- no special tools needed for maintenance
- shaft seals can be changed without removing coupler from loading arm
- link, shaft, pin and crank: hardened 17-4PH stainless steel
- cam: stainless steel
- weight: 20 lbs.
- maximum working pressure: **150 PSI**
- peak surge pressure: 350 PSI
- maximum flow rate: 600 GPM
- pressure drop: 3 to 4 PSI
- replacement parts are available, contact Dixon™

### API coupler with bonded nose seal

Seal Material	Operating Temperature	Part #	Price/E
Buna	-20°F to 250°F	<b>5300</b>	\$2343.25
FKM-B	-10°F to 400°F	<b>5300B</b>	2577.60
FKM-GFLT	-20°F to 400°F	<b>5300G</b>	2694.50
FKM-B with stainless wave spring	-10°F to 400°F	<b>5300BC</b> <sup>1</sup>	2580.00

<sup>1</sup> stainless steel internal springs and is recommended for crude oil service

### API coupler with replaceable nose seal

Seal Material	Operating Temperature	Part #	Price/E
Buna	-20°F to 250°F	<b>5400</b>	\$2434.95
FKM-B	-10°F to 400°F	<b>5400B</b>	2678.45
FKM-GFLT	-20°F to 400°F	<b>5400G</b>	2799.55

### Locking Handle Repair Kit for API Couplers

Description	Part #	Price/E
locking handle kit for 5300BC rack couplers	<b>5354K21</b>	\$245.35



## API Valves

### Application:

- used for bottom loading and unloading of petroleum tankers, typically mounted to the piping below each tank compartment using the built-in 4" TTMA flange connection

Description	Part #	Price/E
load/unload API valve with sight glass, ALH nose ring	<b>5204</b>	\$777.65
load only API valve without sight glass, ALH nose ring	<b>5204LNG</b>	547.50
load/unload API valve, without sight glass, fixed handle, Baylast™ seal	<b>5204NG</b>	777.65
load only API valve without sight glass, Baylast™ seal, stainless steel springs	<b>5204LSNG</b>	643.75
load only API valve without sight glass, Baylast™ seal, stainless steel springs with ½" FNPT drain port	<b>5204LSNGP</b>	721.00



5204NG



5204LNG



## API Compatible Rack Cords

### Features:

- highly visible safety orange jacket to meet trip hazard requirements
- cord is bonded mechanically and resistant to abrasion and oil
- Cord sets are interchangeable with Scully and Civacon. All wiring is compatible with standard Scully color codes and wiring number configurations. The 9 pin conductor is shielded to be compatible with Scully VIP system.
- plug body is reinforced nylon and is color coded Optic Blue or Thermistor Green
- button contacts are 316 stainless steel to prevent corrosion
- all other hardware is stainless steel

### Model FT600

#### API thermistor assemblies



Description	Part #	Price/E
plug with 30' coiled cable	<b>FT600</b>	<b>\$1099.15</b>
plug with 30' coiled cord for Canada	<b>FT600C</b>	<b>1099.15</b>
plug with 20' straight cable	<b>FT600S</b>	<b>1045.95</b>
plug with 20' straight cord for Canada	<b>FT600SC</b>	<b>1045.95</b>

#### replacement parts and accessories

Description	Part #	Price/E
replacement plug body	<b>FT601</b>	<b>\$568.00</b>
replacement plug body for Canada	<b>FT601-10</b>	<b>568.00</b>
replacement 30' coiled cable	<b>FT602</b>	<b>620.00</b>
plug hanger	<b>FT603</b>	<b>330.50</b>

### Model FT620

#### API optic assemblies



Description	Part #	Price/E
plug with 30' coiled cable	<b>FT620</b>	<b>\$1099.15</b>
plug with 20' straight cable	<b>FT620S</b>	<b>1045.95</b>

#### replacement parts and accessories

Description	Part #	Price/E
replacement plug body	<b>FT621</b>	<b>\$585.05</b>
replacement 30' coiled cable	<b>FT622</b>	<b>620.00</b>
plug hanger	<b>FT623</b>	<b>340.45</b>

## Reelcraft® Static Discharge Reels

### Applications:

- Used to ground equipment in hazardous atmospheres, such as fuel trucks or carts transferring flammable materials. When properly clamped to ground, the static discharge reel dissipates static electrical buildup, reduced the chances of sparking and the potential for explosion.

### Features:


- supplied with a 3/32" OD steel aircraft cable
- DC resistance is approximately one ohm per 50' of steel cable



Description	Part #	Price/E
single 7" x 7" stranded steel	<b>G3050</b>	<b>\$675.00</b>

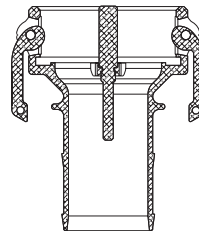
## Dixon™ Vapor Recovery Couplers

## Features:

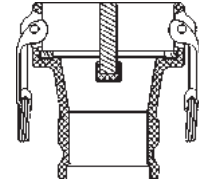
- not intended for liquid service, for vapor recovery *only* 
- bronze arms with stainless steel pins
- plated carbon steel finger rings
- Buna-N gasket

**coupler with probe x hose shank**

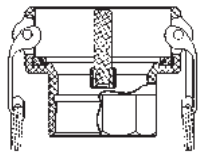
Coupler Size	Hose Shank Size	Aluminum	
		Part #	Price/E
4"	3"	<b>4030-CVR-AL</b>	\$129.10
4"	4"	<b>400-CVR-AL</b>	137.00

**coupler with probe x adapter**

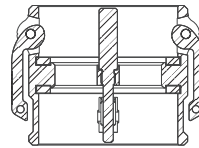
Coupler Size	Adapter Size	Aluminum	
		Part #	Price/E
4"	3"	<b>4030-DAVR-AL</b>	\$139.50

**coupler with probe x female NPT**

Coupler Size	Female NPT Size	Aluminum	
		Part #	Price/E
4"	3"	<b>4030-DVR-AL</b>	\$155.00
4"	4"	<b>400-DVR-AL</b>	157.30


**coupler with probe x coupler with probe**

Coupler Size	Coupler Size	Aluminum	
		Part #	Price/E
4"	4"	<b>400-DDVR-AL</b>	\$160.00



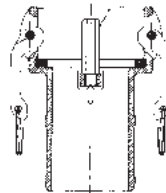
## Dixon™ Bayco Vapor Recovery Couplers

## Features:

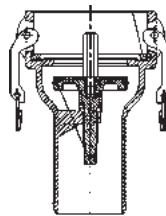
- not intended for liquid service, for vapor recovery *only* 
- for use with 3" vapor hose
- cast aluminum body, bronze arms with stainless steel pins and finger rings
- Buna-N gasket
- VR4030CS-AL has a FKM O-ring poppet seal


**coupler with probe x hose shank**

Coupler Size	Hose Shank Size	Aluminum	
		Part #	Price/E
3"	3"	<b>VRC3000AL</b>	\$144.05

**coupler with poppet and probe x hose shank**

Coupler Size	Hose Shank Size	Aluminum	
		Part #	Price/E
4"	3"	<b>VR4030CS-AL<sup>1</sup></b>	\$213.25



<sup>1</sup> VR4030CS-AL will interchange with all competitor vapor valves *except* Civacon #633LVH (special bulb design). 

**coupler with "floating bridge" poppet x hose shank**

Coupler Size	Hose Shank Size	Aluminum	
		Part #	Price/E
4"	4"	<b>VR4040CS-AL</b>	\$412.00

**repair kits**

Description	Part #	Price/E
seal repair kit: gasket, machine screw and FKM O-ring	<b>VR4040CSRK1</b>	\$21.35
cam arm repair kit: paddle arm and cam arm pin	<b>VR4040CSRK2</b>	74.35

## TTMA Flange Extensions



TETF4AL



TETFG4AL

**Application:**

- Used on load arms to connect an API load coupler to the load arm, provides a specified parting point to prevent excessive damage to the loading arm.

**Feature:**

- adds a 6" space between the load arm and the tank truck

Size	Description	Aluminum	
		Part #	Price/E
4"	TTMA flange extension	<b>TETF4AL</b>	<b>\$130.00</b>
4"	TTMA flange extension with groove	<b>TETFG4AL</b>	<b>133.50</b>

## Loading Arm Swivels



style 30, short radius

style 30, long radius

style 40

style 50

**Features:**

- TTMA loading arm swivel with heavy duty D style shovel handle
- TTMA flanges on both ends
- shovel handle is used to guide the API load coupler onto the adapter on the tank truck
- long radius elbow improves the flow into the API load coupler and provides spacing between the load arm and the tank truck
- can be used with flange extensions above

Size	Description	Aluminum	
		Part #	Price/E
4"	Style 30 short radius, with handle, TTMA x TTMA flanges w/ Buna seals	<b>43HTFXTFAL00000</b>	<b>\$1200.00</b>
4"	Style 30 short radius, with handle, TTMA x TTMA flanges w/ FKM seals	<b>43HTFXTFAL11000</b>	<b>1230.00</b>
4"	Style 30 short radius, without handle, TTMA x TTMA flanges w/ Buna seals	<b>430TFXTFAL00000</b>	<b>1150.00</b>
4"	Style 30 short radius, without handle, TTMA x TTMA flanges w/ FKM seals	<b>430TFXTFAL11000</b>	<b>1280.00</b>
4"	Style 30 long radius, with handle, TTMA x TTMA flanges w/ Buna seals	<b>43HTFTFLAL00000</b>	<b>1250.00</b>
4"	Style 30 long radius, with handle, TTMA x TTMA flanges w/ FKM seals	<b>43HTFTFLAL11000</b>	<b>1280.00</b>
4"	Style 30 long radius, without handle, TTMA x TTMA flanges w/ Buna seals	<b>430TFTFLAL00000</b>	<b>1200.00</b>
4"	Style 30 long radius, without handle, TTMA x TTMA flanges w/ FKM seals	<b>430TFTFLAL11000</b>	<b>1230.00</b>
4"	Style 40 with handle, TTMA x TTMA flanges w/ Buna seals	<b>44HTFXTFAL00000</b>	<b>1400.00</b>
4"	Style 40 with handle, TTMA x TTMA flanges w/ FKM seals	<b>44HTFXTFAL11000</b>	<b>1430.00</b>
4"	Style 40 without handle, TTMA x TTMA flanges w/ Buna seals	<b>440TFXTFAL00000</b>	<b>1350.00</b>
4"	Style 40 without handle, TTMA x TTMA flanges w/ FKM seals	<b>440TFXTFAL11000</b>	<b>1380.00</b>
4"	Style 50 with handle, TTMA x TTMA flanges w/ Buna seals	<b>45HTFXTFAL00000</b>	<b>1600.00</b>
4"	Style 50 with handle, TTMA x TTMA flanges w/ FKM seals	<b>45HTFXTFAL11000</b>	<b>1630.00</b>
4"	Style 50 without handle, TTMA x TTMA flanges w/ Buna seals	<b>450TFXTFAL00000</b>	<b>1550.00</b>
4"	Style 50 without handle, TTMA x TTMA flanges w/ FKM seals	<b>450TFXTFAL11000</b>	<b>1580.00</b>

## Type 35 Loading Arm Swivel Replacement Parts

Description	Part #	Price/E
4" schedule 80 aluminum nipple	<b>ATN100X7</b>	<b>\$25.00</b>
D style heavy duty shovel handle	<b>100DHAN-AL</b>	<b>46.90</b>
buna seal kit	<b>4RKOBU</b>	<b>38.90</b>
FKM seal kit	<b>4RKOVIVI</b>	<b>60.65</b>

## PTFE Tape

American Made PTFE Tape (*Purple*)

## Features:

- thickness: 3.5 mil (0.0035 mm)
- temperature range: **-450°F to 500°F**
- superior quality
- not for use in oxygen applications



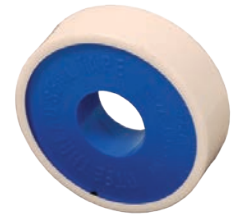
Size	Length	Part #	Price/E
1/2"	520"	<b>TTPM50-520</b>	<b>\$5.20</b>
1/2"	700"	<b>TTPM50-700</b>	<b>5.80</b>
1/2"	1429"	<b>TTPM50-1429</b>	<b>10.30</b>
3/4"	520"	<b>TTPM75-520</b>	<b>7.00</b>
3/4"	700"	<b>TTPM75-700</b>	<b>7.60</b>
3/4"	1429"	<b>TTPM75-1429</b>	<b>13.70</b>
1"	520"	<b>TTPM100-520</b>	<b>8.50</b>
1"	700"	<b>TTPM100-700</b>	<b>9.70</b>
1"	1429"	<b>TTPM100-1429</b>	<b>17.60</b>

Industrial PTFE Tape (*White*)

## Features:

- thickness: 3.5 mil (0.0035 mm)
- temperature range: **-212°F to 500°F**

Size	Length	Part #	Price/E	Opt Qty
1/2"	260"	<b>TTA50</b>	<b>\$0.90</b>	500
1/2"	520"	<b>TTB50</b>	<b>1.75</b>	500
1/2"	1296"	<b>TTC50</b>	<b>4.50</b>	500
3/4"	260"	<b>TTA75</b>	<b>1.45</b>	350
3/4"	520"	<b>TTB75</b>	<b>2.70</b>	350
1"	520"	<b>TTB100</b>	<b>2.85</b>	250

Stainless Steel PTFE Tape (*Gray*)

## Features:

- thickness: 4 mil
- temperature range: **-450°F to 550°F**
- useful on stainless steel threaded joints or connections
- PTFE with nickel added, nickel acts like a ball bearing

Size	Length	Part #	Price/E	Opt Qty
1/2"	260"	<b>TTA50SS</b>	<b>\$15.70</b>	10

Industrial Heavy Duty PTFE Tape (*Pink*)

## Features:

- thickness: 4 mil
- temperature range: **-400°F to 500°F**

Size	Length	Part #	Price/E	Opt Qty
1/2"	540"	<b>TTBP50</b>	<b>\$7.50</b>	500

PTFE Tape for LP Gas (*Yellow*)

## Features:

- thickness: 4 mil
- maximum temperature: **500°F (260°C)**
- Underwriters Listed

Size	Length	Part #	Price/E	Opt Qty
1/2"	260"	<b>TTA50LP</b>	<b>\$4.95</b>	500



U

## Thread Sealant Paste



### Features:

- temperature range: **-300°F to 500°F**
- do not use with oxygen

Size	Part #	Price/E	Opt Qty
¼ pint	<b>LCTS14</b>	<b>\$14.75</b>	24
½ pint	<b>LCTS1</b>	<b>21.55</b>	24
1 pint	<b>LCTS2</b>	<b>33.75</b>	12
1 quart	<b>LCTS3</b>	<b>60.35</b>	12

## Joint Sealant Gasket Material

### Features:

- GORE-TEX® interchangeable
- Form-In-Place expanded PTFE gasket material with adhesive backing
- manufactured from 100% virgin PTFE
- unaffected by all common chemicals (pH from 0-14)
- unlimited shelf life
- resilient with low cold flow
- requires less force than standard gasket materials
- pressure range: vacuum to 3000 PSI
- temperature range: **-450°F to 600°F**
- made in the USA
- FDA compliant #21CFR177.1550
- larger spools are available, consult Dixon™ for price and availability



Size	Length	Part #	Price/E
¼"	20'	<b>LCJS4-20</b>	<b>\$69.45</b>
¼"	50'	<b>LCJS4-50</b>	<b>159.55</b>
⅜"	25'	<b>LCJS6-25</b>	<b>127.50</b>
½"	15'	<b>LCJS8-15</b>	<b>127.50</b>
¾"	15'	<b>LCJS12-15</b>	<b>291.85</b>

## Leak Detector

### Features:

- detects leaks by forming bubbles which remain for up to ten minutes
- will not cause corrosion or deterioration
- color: fluorescent yellow
- non-toxic, non-freezing
- temperature range: **-7°F (-20°C) to 180°F (82°C)**
- meets Federal specification MIL-L-25567-C



Size	Part #	Price/E	Case Qty
8 oz.	<b>LCLD</b>	<b>\$11.90</b>	24

## Dixon™ Coupling Lubricant

### Application:

- For use in assembly operations involving natural or synthetic rubber or plastic. Also an excellent lubricant when rubber or plastic needs to be cut, machined, pressed, turned, trimmed or ground. Once coupling lubricant dries, slipping action goes away.

### Feature:


- biodegradable lubricant for coupling shanks, O-rings, hoses, sleeves, rubber washers and grommets.



Size	Part #	Price/E
1 liter	<b>DCL20</b>	<b>\$36.50</b>
4 liters	<b>DCL80</b>	<b>94.50</b>

## WD-40 Smart Straw

### Features:

- permanently attached straw
- flip up for a precision spray; flip down for regular spray action
- sold in case quantities only
- should not be used as a lubricant for coupling shanks 

Size	Part #	Price/E	Case Qty
11 oz.	<b>WD40</b>	<b>\$21.00</b>	12



## Coupling Inserter for Large Hose

**Features:**

- inserts 4", 5", 6", 8", 10" and 12" couplings
- includes CI96AH pump (shown below)
- portable
- coupling inserter pusher plates (not shown) must be purchased separately

Part #		Price/E
<b>CI9</b>		<b>\$5820.00</b>
Hose ID	Part #	Price/E
4" - 5"	<b>45CIPUSH</b>	<b>\$300.00</b>
6" - 8"	<b>68CIPUSH</b>	<b>380.00</b>
10" - 12"	<b>1012CIPUSH</b>	<b>530.25</b>



## Coupling Inserters

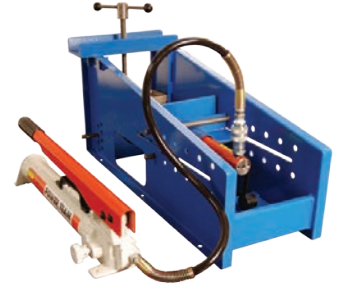
**Application:**

for insertion of hose shanks into hose with a 2¼" to 7¼" OD

Description	Part #	Price/E
inserter with <b>10,000 PSI</b> hand pump and 5 ton ram	<b>CI96</b>	<b>\$6450.00</b>
inserter with <b>10,000 PSI</b> air/hydraulic pump and 5 ton ram	<b>CI96AH</b>	<b>7850.00</b>
Small jaws for 1" to 3" OD hose	<b>CI9311SML</b>	<b>189.00</b>



CI96AH



CI96

## Hand Hydrotest Pump

**Application:**

designed for use in testing pipe lines, pressure tanks and pressure vessels

**Features:**

- stainless steel piston, aluminum body
- uses efficient and long lasting check valves
- cylinder displacement: 1.37 cubic inches
- 0-1000 PSI pressure gauge, 10' pressure hose and quick disconnect coupler included
- piston: 7/8" with 2" stroke

Inlet NPT	Outlet NPT	Working Pressure PSI	Part #	Price/E
½"	½"	<b>1000</b>	<b>HHTP</b>	<b>\$2233.60</b>



## Hung Up On Dixon™ Hose Racks

**Application:**

can be used for fire or water hose

**Features:**

- aluminum
- 5 pre-drilled 5/16" mounting holes for easy mounting
- two racks can be bolted face to face to create extra hose capacity

Description	Dimensions	Weight (lbs.)	Part #	Price/E
single hose rack	19-1/2" x 6" x 9-3/16"	3.5	<b>DHR1</b>	<b>\$222.30</b>
double hose rack	19-1/2" x 12" x 9-3/16"	9.5	<b>DHR2</b>	<b>460.00</b>

DHR1  
single hose rackDHR2  
double hose rack  
(hose not included)

## Hydrostatic Test Pumps

A safe, cost effective pump to test hose before putting it into service.

### Electric



**Features:**

- 1.3 GPM hose fill rate (.28 GPM @ 2000 PSI)
- test pressure: **200 to 2000 PSI**
- suction strainer keeps dirt out of pump
- high pressure test gauge
- 115v motor
- 2' power cord
- easy to use, portable

### Pneumatic



**Features:**

- 5.5 GPM fill rate
- test pressure: **0 to 1500 PSI**
- stainless interior
- air gauge for quick, easy adjustment of maximum test pressure
- high pressure test gauge
- filter/regulator for clean, dry air to ensure long life of unit
- on - off valve for air input
- 15' of hose included
- easy to use, portable
- Use of coalescing filter and water filter recommended for prolonged life.

Description	Part #	Price/E
electric test pump	<b>ETP</b>	<b>\$4600.00</b>

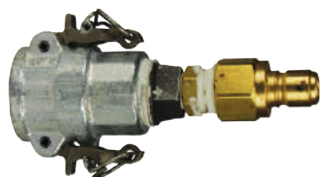
Description	Part #	Price/E
pneumatic test pump	<b>PTP</b>	<b>\$6375.00</b>

## Hydrostatic Test Pump Accessories

**Features:**

- cost effective, pre-assembled caps or plugs allow quick set up for testing hoses
- caps and plugs equipped with 1/2" brass straight-through plug for quick attachment to the intermediate hose on the test pump (Pneumatic Test Pump) and bleed-off valve

### cam & groove test caps for male adapters



Size	Iron / Steel	
	Part #	Price/E
1"	<b>ID100TC</b>	<b>\$190.00</b>
1½"	<b>ID150TC</b>	<b>300.00</b>
2"	<b>ID200TC</b>	<b>196.50</b>
3"	<b>ID300TC</b>	<b>350.00</b>
4"	<b>ID400TC</b>	<b>536.00</b>

### cam & groove test plugs for female couplers



Size	Iron / Steel	
	Part #	Price/E
1"	<b>IA100TP</b>	<b>\$150.00</b>
1½"	<b>IA150TP</b>	<b>175.00</b>
2"	<b>IA200TP</b>	<b>175.00</b>
3"	<b>IA300TP</b>	<b>380.00</b>
4"	<b>IA400TP</b>	<b>410.00</b>

### female NPT test caps



Size	Iron / Steel	
	Part #	Price/E
1"	<b>NPT100TC</b>	<b>\$135.00</b>
1½"	<b>NPT150TC</b>	<b>170.00</b>
2"	<b>NPT200TC</b>	<b>200.00</b>
3"	<b>NPT300TC</b>	<b>350.00</b>
4"	<b>NPT400TC</b>	<b>410.00</b>

### male NPT test plugs



Size	Iron / Steel	
	Part #	Price/E
1"	<b>100TP</b>	<b>\$220.00</b>
1½"	<b>150TP</b>	<b>250.00</b>
2"	<b>200TP</b>	<b>240.00</b>
3"	<b>300TP</b>	<b>300.25</b>
4"	<b>400TP</b>	<b>405.00</b>



### bleed-off valve

Description	Part #	Price/E
for pneumatic test pump	<b>IBV50BOV</b>	<b>\$89.80</b>

## FRL Attachment Accessories

Description	Part #	Price/E
3/8" Wilkerson modular coalescing filter (automatic drain)	<b>M16-03A</b>	<b>\$296.45</b>
3/8" Wilkerson modular coalescing filter (manual drain)	<b>M16-03M</b>	<b>237.85</b>
modular sleeve needed to connect M16-03A or M16-03M	<b>GPA-95-292</b>	<b>17.00</b>

U

## Screw Pitch Gauge

**Features:**

- used to determine threads per inch
- 30 leaves

Stainless Steel Part #	Price
<b>TPG</b>	<b>\$224.25</b>



## Spill Kits

**Features:**

- easily stored behind a seat or in a storage compartment allowing drivers to act quickly when responding to a spill
- poly-zip bag and bucket kits feature:
  - 10 pads (15" x 19")
  - 3 socks (3" x 4')
  - 2 disposal bags with ties
  - 1 pair nitrile gloves

Part #	Description	Price/E
<b>DSK5-O</b>	oil only, in 6½ gallon pail	<b>\$122.10</b>
<b>DSK5-U</b>	universal, in 6½ gallon pail	<b>118.40</b>
<b>DSKB-O</b>	oil only, in clear poly bag with zipper	<b>85.10</b>
<b>DSKB-U</b>	universal, in clear poly bag with zipper	<b>80.15</b>



universal spill kit



oil spill kit

## Heavy-Duty Lava Hand Cleaner

**Features:**

- heavy duty hand cleaner with pumice
- 7.5 fl oz pump bottle
- sold in case quantity only

Part #	Case Qty	Price/E
<b>LAVA221</b>	12	<b>\$11.50</b>



## Dixon™ Soft Hose Mallet

**Features:**

- soft mallet for pounding metal objects without damaging them
- The head material will not crack and is firmly attached to strong shaft-handle.
- length: 23"
- weight: 10 lbs.

Part #	Price/E
<b>DCM1</b>	<b>\$375.00</b>



## Dixon™ Hose Knife

**Features:**

- for fast cutting of rubber hose and belting
- guard protects hand while cutting

Part #	Price/E
<b>DRK15</b>	<b>\$24.35</b>



## Diameter Tape

**Features:**

- 6' tape for quickly finding the outside diameter of any cylindrical object
- converts circumference to OD at the measured point
- ABS case

Part #	Price/E
<b>DDT1</b>	<b>\$18.25</b>





## Torque Wrenches

### Micrometer Adjustable C Series Torque Wrenches


**Features:**

- 36 tooth quick release ratchet head
- certification readings and individual instrument serial number are included
- Each torque instrument, as calibrated at the factory, is certified to meet the accuracy specified in ANSI B107.14M-1994 and was calibrated on a torque standard that is traceable to the National Institute of Standards Technology (NIST)
- accurate to  $\pm 3\%$  and  $\pm 5\%$  CCW of full scale

Plated Steel Part #	Drive	Range		Length	Price
		In-Lb	Ft-Lb		
<b>C1001</b>	1/4"	20 - 100	---	11"	<b>\$360.00</b>
<b>C2001</b>	1/4"	40 - 200	---	16"	<b>360.00</b>
<b>C1002</b>	3/8"	---	15 - 100	17"	<b>390.00</b>
<b>C1503</b>	1/2"	---	20 - 150	24"	<b>400.00</b>
<b>C2503</b>	1/2"	---	30 - 250	24"	<b>420.00</b>

### Micrometer Adjustable Heavy Duty Industrial Torque Wrenches


**Features:**

- 24 tooth quick release ratchet head
- click type wrench
- equipped with 3/4" or 1" dual direction quick release, 24 tooth ratchet
- precision roll marked scale
- polished durable bright chrome finish
- fully repairable and easily calibrated
- calibrated to  $\pm 3\%$  at any setting
- meets ASME B107.14B

Part #	Drive	Range Ft-Lb	Length	Price
<b>C4504</b>	3/4"	50 - 450	41.9"	<b>\$1100.00</b>
<b>C6004</b>	3/4"	100 - 600	49.8"	<b>1250.00</b>
<b>C7504</b>	3/4"	150 - 750	49.8"	<b>1400.00</b>
<b>C6005</b>	1"	100 - 600	49.8"	<b>1320.00</b>
<b>C7505</b>	1"	150 - 750	49.8"	<b>1600.00</b>

### Electronic Torque Wrenches

**Features:**

- 24 tooth quick release ratchet head
- 5 alphanumeric digit display, 4 keys: up, down, mode, unit
- 3 colored lights, vibration and audible alarm
- unit: ft-lb, in-lb and Nm.
- mode: Peak Hold
- torque setting from 5% to 100% of full scale
- accuracy torque  $\pm 1\%$  both CW and CCW from 10%-100% of Indicate value
- 2 AA batteries provide up to 500 hours of continuous use
- ISO-6789-2003 and ASME B107-2005 Standard compliant
- Certificate of N.I.S.T. traceability for 10% to 100% of full scale

Part #	Drive	Range		Length	Wt in Lbs.	Price
		In-Lb	Ft-Lb			
<b>DW2501</b>	1/4"	12.5 - 250	1 - 20.7	13"	2.8	<b>\$590.00</b>
<b>DW1002</b>	3/8"	60 - 1200	5 - 100	18"	3.4	<b>590.00</b>
<b>DW2503</b>	1/2"	150 - 3000	12.5 - 250	26.5"	4.8	<b>720.00</b>



## Torque Wrenches

### Torque and Angle Meter Pro

**Features:**

- 5 alphanumeric digit display, 4 keys: up, down, mode, unit
- 3 colored lights, vibration and audible alarm
- unit: ft-lb, in-lb and nM
- mode: Track, Peak Hold and Angle
- torque setting from 5% to 100% of full scale
- accuracy torque  $\pm 1\%$  both CW and CCW from 10% - 100% of Indicate value
- accuracy angle:  $\pm 1^\circ$  of reading  $\pm 1^\circ$  from  $1^\circ$  to  $360^\circ$
- angle setting:  $5^\circ$  to  $360^\circ$ , angular velocity  $>4^\circ/\text{sec}$  and  $<200^\circ/\text{sec}$
- Li-Ion rechargeable battery provides up to 200 hours use per charge
- ISO-6789-2003 and ASME B107-28-2005 Standard compliant
- Certificate of N.I.S.T. traceability for 10% to 100% of full scale

Part #	Drive	Range		Length x Width	Price
		In-Lb	Ft-Lb		
<b>SPA502</b>	$\frac{3}{8}$ "	30 - 600	2.5 - 50	3.5" x 2.1"	<b>\$630.00</b>
<b>SPA1002</b>	$\frac{3}{8}$ "	60 - 1200	5 - 100	3.5" x 2.1"	<b>640.00</b>
<b>SPA1503</b>	$\frac{1}{2}$ "	90 - 1800	7.5 - 150	3.75" x 2.1"	<b>650.00</b>
<b>SPA2503</b>	$\frac{1}{2}$ "	150 - 3000	12.5 - 250	3.75" x 2.1"	<b>670.00</b>
<b>SPA4004</b>	$\frac{3}{4}$ "	240 - 4800	20 - 400	4.5" x 2"	<b>830.00</b>
<b>SPA6004</b>	$\frac{3}{4}$ "	360 - 7200	30 - 600	4.5" x 2"	<b>1100.00</b>



### Torque and Angle Meters

**Features:**

- 4 alphanumeric digit display, 4 keys: up, down, mode, unit
- 3 colored lights, vibration and audible alarm
- unit: ft-lb, in-lb and nM
- mode: Peak Hold and Angle
- torque setting from 5% to 100% of full scale
- accuracy torque  $\pm 2\%$  both CW and CCW from 10% - 100% of Indicate value
- accuracy angle:  $\pm 1^\circ$  of reading from  $1^\circ$  to  $180^\circ$
- angle setting:  $5^\circ$  to  $180^\circ$ , angular velocity  $>10^\circ/\text{sec}$  and  $<200^\circ/\text{sec}$
- 3 AAA battery provides up to 200 hours of continuous use
- ISO-6789-2003 and ASME B107-28-2005 Standard compliant
- Certificate of N.I.S.T. traceability for 10% to 100% of full scale

Part #	Drive	Range		Length x Width	Price
		In-Lb	Ft-Lb		
<b>TA502</b>	$\frac{3}{8}$ "	30 - 600	2.5 - 50	3.5" x 2.1"	<b>\$470.00</b>
<b>TA1002</b>	$\frac{3}{8}$ "	60 - 1200	5 - 100	3.5" x 2.1"	<b>470.00</b>
<b>TA1503</b>	$\frac{1}{2}$ "	90 - 1800	7.5 - 150	3.75" x 2.1"	<b>530.00</b>
<b>TA2503</b>	$\frac{1}{2}$ "	150 - 3000	12.5 - 250	3.75" x 2.1"	<b>530.00</b>



### Torque Meters

**Features:**

- 4 alphanumeric digit display, 4 keys: up, down, mode, unit
- 3 colored lights, vibration and audible alarm
- unit: ft-lb, in-lb and nM
- mode: Peak Hold and Angle
- torque setting from 5% to 100% of full scale
- accuracy torque  $\pm 2\%$  both CW and CCW from 10% - 100% of Indicate value
- 3 AAA battery provides up to 400 hours of use per charge
- ISO-6789-2003 and ASME B107-28-2005 Standard compliant
- Certificate of N.I.S.T. traceability for 10% to 100% of full scale

Part #	Drive	Range		Length x Width	Price
		In-Lb	Ft-Lb		
<b>TM502</b>	$\frac{3}{8}$ "	30 - 600	2.5 - 50	3.5" x 2.1"	<b>\$375.00</b>
<b>TM1002</b>	$\frac{3}{8}$ "	60 - 1200	5 - 100	3.5" x 2.1"	<b>375.00</b>
<b>TM1503</b>	$\frac{1}{2}$ "	90 - 1800	7.5 - 150	3.75" x 2.1"	<b>430.00</b>
<b>TM2503</b>	$\frac{1}{2}$ "	150 - 3000	12.5 - 250	3.75" x 2.1"	<b>430.00</b>



## Stretch Straps

**Features:**

- durable tie down straps
- made of EPDM
- length does not include S-hooks
- S-hooks are steel



Length	Part #	Price/E
10"	<b>SSE10</b>	<b>\$3.00</b>
15"	<b>SSE15</b>	<b>3.80</b>
21"	<b>SSE21</b>	<b>4.40</b>
31"	<b>SSE31</b>	<b>5.20</b>
41"	<b>SSE41</b>	<b>6.25</b>



**WARNING!!**

Failure to comply with this warning may result in serious damage and/or personal injury.  
Maximum end to end safe stretch = 150% of length

- do not exceed maximum safe stretch
- inspect before each use, do not use if strap is cut, cracked or abraded
- inspect hooks for damage and/or wear. Replace if needed.
- protect strap from sharp edges or heat.
- wear eye protection during use
- do not use this product as the primary tie down
- refer to federal or state regulations for proper tie down methods

## Safety Tag

**Features:**

- Dixon™ strongly recommends the use of a safety tag or warning label on all hose assemblies.
- sold in quantities of 100 only



Length	Width	Part #	Price/E
5"	2 3/8"	<b>DWL100</b>	<b>\$0.40</b>



**WARNING!!**

- worn-out hose fittings should be replaced
- loose clamps on hose can be dangerous
- bolt type clamps should be retensioned regularly
- for extra safety, retaining devices such as clips, chains or cables must be used

## Safety Tape

**Features:**

- Dixon™ strongly recommends the use of a safety tag or warning label on all hose assemblies.
- length of tape - 55 yards, approximately 255 warnings



Size	Part #	Price/E
1 1/2"	<b>DSTW</b>	<b>\$22.00</b>



**WARNING!!**

- worn-out hose fittings should be replaced
- loose clamps on hose can be dangerous
- bolt type clamps should be retensioned regularly
- for extra safety, retaining devices such as clips, chains or cables must be used

## Weatherproof First Aid Kit

**Features:**

- polypropylene case
- kit supports 25 persons
- each kit includes:  
adhesive strips, large wound pads, eye pads, triangular bandage, first aid / burn cream, eye flush, elastic bandages, scissors, forceps, first aid instructions, gauze pads, adhesive tape, antiseptic towelettes, aspirin, cold pack, latex exam gloves
- 10 person and 50 person kits are also available, consult Dixon™ for price and availability



Weight	Part #	Price/E
1.8 lbs.	<b>FAK25P</b>	<b>\$81.35</b>

## Spiral Hose and Cable Protection

### Application:

- used in mining, quarrying, forestry, offshore industries and most hydraulic hose applications

### Features:

- crush and high abrasion resistance
- chemical and UV ray resistant
- self-lubricating to reduce hose wear
- easy to install on-site
- smooth radius on all edges
- can be used on single or multiple hose bundles
- spiral guard ID is equal to the guard at rest
- sold in coil lengths only



Standard



Flame Retardant

### Flame Retardant Product

#### Features:

- approved by MSHA #1C-264/0
- tested to: AS 2600, AS1180.10B, AS 1180.13A
- flame retardant, self extinguishing, anti static
- temperature range: **-148°F to 262°F**, (-100°C to 100°C)
- color: black

Nominal ID	Coil Length	OD Range (inches)	Part #	Price/E
0.45"	66'	.47" to .86"	<b>FRSGX16</b>	<b>\$229.00</b>
0.55"	66'	.62" to 1.06"	<b>FRSGX20</b>	<b>296.00</b>
0.80"	66'	.86" to 1.37"	<b>FRSGX25</b>	<b>372.00</b>
1.00"	66'	1.06" to 1.69"	<b>FRSGX32</b>	<b>659.95</b>
1.26"	66'	1.30" to 2.17"	<b>FRSGX40</b>	<b>848.00</b>
1.50"	66'	1.65" to 2.52"	<b>FRSGX50</b>	<b>1184.75</b>
2.00"	66'	2.05" to 2.95"	<b>FRSGX63</b>	<b>1540.00</b>
2.40"	66'	2.56" to 3.80"	<b>FRSGX75</b>	<b>2012.00</b>
2.83"	66'	3.15" to 4.30"	<b>FRSGX90</b>	<b>2362.00</b>
3.43"	33'	3.80" to 4.90"	<b>FRSGX110</b>	<b>1563.00</b>

### Standard Product

#### Features:

- not flame retardant
- temperature range: **-40°F to 248°F**, (-50°C to 90°C)

Nominal ID	Coil Length	OD Range (inches)	Part #	Price/E
0.45"	66'	.47" to .86"	<b>NFSGX16</b>	<b>\$102.50</b>
0.55"	66'	.62" to 1.06"	<b>NFSGX20</b>	<b>142.90</b>
0.80"	66'	.86" to 1.37"	<b>NFSGX25</b>	<b>197.20</b>
1.00"	66'	1.06" to 1.69"	<b>NFSGX32</b>	<b>282.60</b>
1.26"	66'	1.30" to 2.17"	<b>NFSGX40</b>	<b>419.25</b>
1.50"	66'	1.65" to 2.52"	<b>NFSGX50</b>	<b>549.70</b>
2.00"	66'	2.05" to 2.95"	<b>NFSGX63</b>	<b>754.65</b>
2.40"	66'	2.56" to 3.80"	<b>NFSGX75</b>	<b>1080.70</b>
2.83"	66'	3.15" to 4.30"	<b>NFSGX90</b>	<b>1397.50</b>
3.43"	33'	3.80" to 4.90"	<b>NFSGX110</b>	<b>832.30</b>

## Fire Jacket for Hose

### Application:

- used to protect hose and hose assemblies, tubing, piping, wiring and cables from high temperatures, direct flame or molten splash, helps maintain line temperature and reduce environmental overheating and overcooling

### Features:

- meets Flammability requirements of UL 94 HB & UL 94 V-0
- sleeving slides easily over hose & expands to go over fittings
- resistant to hydraulic fluids and lubricating oil
- iron oxide red color
- compounded silicone rubber coating over fiberglass
- completely non-asbestos, REACH - ROHS compliant
- supplied in 50' lengths
- temperature range: **-65°F to 500°F** (-54°C to 260°C)

Nominal ID	Part #	Price/E	Nominal ID	Part #	Price/E
1/4"	<b>0610-4</b>	<b>\$185.40</b>	1 1/4"	<b>3210-20</b>	<b>\$475.20</b>
3/8"	<b>1010-6</b>	<b>220.25</b>	1 1/2"	<b>3810-24</b>	<b>539.00</b>
1/2"	<b>1310-8</b>	<b>243.50</b>	1 3/4"	<b>4510-28</b>	<b>660.50</b>
5/8"	<b>1610-10</b>	<b>278.10</b>	2"	<b>5110-32</b>	<b>776.25</b>
3/4"	<b>1910-12</b>	<b>310.00</b>	2 1/2"	<b>6410-40</b>	<b>959.50</b>
7/8"	<b>2210-14</b>	<b>371.00</b>	3"	<b>7610-48</b>	<b>1393.60</b>
1"	<b>2510-16</b>	<b>394.00</b>	4"	<b>10210-64</b>	<b>1718.20</b>



## Fire Jacket Tape

### Application:

used to seal the ends of fire jackets to prevent fraying and fluid wicking

### Features:

- completely non-asbestos
- iron oxide red color
- temperature range: **-45°F to 380°F** (-45°C to 200°C)

Size	Length	Silicone Rubber Part #	Price/E
1"	12 yards	<b>FTH100</b>	<b>\$52.50</b>



## Non Adhesive Fire Tape

### Features:

- fiberglass coated silicone rubber
- fluid resistant to hydraulic fluids and lubricating oils
- should be installed in a spiral wrap utilizing 30% to 50% overlap
- iron oxide red color
- temperature range: **-65°F to 500°F**

Size	Length	Part #	Price/E
3" width	50'	<b>4055-3</b>	<b>\$660.50</b>



## Fiberglass Sleeving

**Features:**

- provides thermal insulation protection in applications with service temperatures up to **1000°F**
- supplied in a continuous length of 100'
- 1/16" wall thickness
- braided from texturized E-glass filament yarns. The untreated tubing is flexible and expands to cover changing diameters.

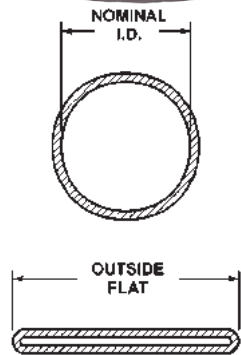


Nominal ID	Part #	Price/E	Nominal ID	Part #	Price/E
1/4"	LW04200	\$81.25	1 1/4"	LW20200	\$220.25
3/8"	LW06200	81.25	1 1/2"	LW24200	318.70
1/2"	LW08200	127.50	2"	LW32200	371.00
5/8"	LW10200	129.50	2 1/2"	LW40200	399.75
3/4"	LW12200	139.00	3"	LW48200	434.60
7/8"	LW14200	156.40	3 1/2"	LW56200	521.50
1"	LW16200	214.50	4"	LW64200	539.00

## Nylon Protective Sleeves - MSHA Accepted

**Features:**

- woven tubular sleeving, ideal for use as a protective covering on hydraulic and industrial hose
- tight weave of seamless tubular sleeving helps dispense the flow of fluid in a ruptured hose
- MSHA accepted, withstands temperatures up to **275°F** (135°C) and fully passes flammability tests



Nominal ID	Outside Flat	100' rolls		300' rolls	
		Part #	Price/E	Part #	Price/E
0.90"	1.50"	DHS90-100	\$142.35	DHS90-300	\$388.20
1.00"	1.66"	DHS100-100	152.90	DHS100-300	417.00
1.13"	1.88"	DHS106-100	164.10	DHS106-300	447.40
1.25"	2.13"	DHS122-100	186.95	DHS122-300	509.85
1.46"	2.25"	DHS138-100	212.95	DHS138-300	580.70
1.42"	2.50"	DHS142-100	218.35	DHS142-300	595.45
1.58"	2.75"	DHS159-1-100	226.10	DHS159-1-300	616.55
1.78"	2.88"	DHS175-100	248.25	DHS175-300	677.00
1.91"	3.00"	DHS181-100	262.00	DHS181-300	714.50
2.18"	3.63"	DHS219-100	330.60	DHS219-300	901.70
2.38"	3.88"	DHS238-100	392.55	DHS238-300	1070.45
2.65"	4.25"	DHS263-100	418.55	DHS263-300	1141.50
2.86"	4.75"	DHS288-100	461.15	DHS288-300	1257.65
3.65"	5.88"	DHS366-100	550.05	DHS366-300	1500.00

## Spring Guard



with tang



without tang

**Features:**

- protects hose against the effects of flexing at its most vulnerable point - immediately behind the coupling
- optional end tang allows end guard to be secured under a clamp or ferrule
- wire fits most hose OD's from 1/2" to 3/4", contact Dixon™ for custom sizes or lengths

Guard ID	Wire Gauge	Overall Length	Tang Length	Approx. # of Coils per Foot	Galvanized Steel with Tang		304 Stainless Steel with Tang		Galvanized Steel without Tang		304 Stainless Steel without Tang	
					Part #	Price/E	Part #	Price/E	Part #	Price/E	Part #	Price/E
3/4"	0.175	12"	1"	33	SEGC1-0.75-12	\$14.00	SEGS1-0.75-12	\$18.00	SEGC0-0.75-12	\$10.00	SEGS0-0.75-12	\$17.00
1"	0.175	12"	1"	33	SEGC1-1.00-12	16.00	SEGS1-1.00-12	24.00	SEGC0-1.00-12	12.00	SEGS0-1.00-12	20.00
1 1/4"	0.175	14"	2"	39	SEGC1-1.25-14	17.00	SEGS1-1.25-14	26.00	SEGC0-1.25-14	13.00	SEGS0-1.25-14	21.00
1 1/2"	0.175	14"	2"	39	SEGC1-1.50-14	18.00	SEGS1-1.50-14	27.00	SEGC0-1.50-14	14.00	SEGS0-1.50-14	23.00
1 3/4"	0.175	16"	2"	44	SEGC1-1.75-16	21.00	SEGS1-1.75-16	31.00	SEGC0-1.75-16	18.00	SEGS0-1.75-16	27.00
2"	0.280	16"	2"	44	SEGC1-2.00-16	24.00	SEGS1-2.00-16	32.00	SEGC0-2.00-16	21.00	SEGS0-2.00-16	28.00
2 1/2"	0.280	18"	2"	50	SEGC1-2.50-18	25.00	SEGS1-2.50-18	40.00	SEGC0-2.50-18	22.00	SEGS0-2.50-18	36.00
3"	0.280	18"	2"	50	SEGC1-3.00-18	30.00	SEGS1-3.00-18	42.00	SEGC0-3.00-18	27.00	SEGS0-3.00-18	38.00

## Continuous Spring Guard

**Features:**

- protects hose from external abrasion and helps resist over flexing
- fits tight to hose reducing the potential for snagging
- contact Dixon™ for custom lengths or sizes



Guard ID	Wire Gauge	Overall Length	Approx. # of Coils per Foot	Galvanized Steel		304 Stainless Steel	
				Part #	Price/E	Part #	Price/E
3/4"	0.175	25'	33	CWG-C-0.75-25	\$98.00	CWG-S-0.75-25	\$380.25
1"	0.175	25'	33	CWG-C-1.00-25	168.25	CWG-S-1.00-25	433.25
1 1/4"	0.175	25'	33	CWG-C-1.25-25	168.25	CWG-S-1.25-25	433.25
1 1/2"	0.175	25'	33	CWG-C-1.50-25	230.50	CWG-S-1.50-25	526.00
1 3/4"	0.175	25'	33	CWG-C-1.75-25	230.50	CWG-S-1.75-25	526.00
2"	0.280	25'	33	CWG-C-2.00-25	327.25	CWG-S-2.00-25	628.00
2 1/2"	0.280	25'	33	CWG-C-2.50-25	420.00	CWG-S-2.50-25	720.75
3"	0.280	25'	33	CWG-C-3.00-25	522.00	CWG-S-3.00-25	804.25

## Nominal

**Application:**

- suitable for conveying chemicals, foods, pharmaceuticals, oils, gas, fuels and steam

**Features:**

- nominal standard smooth bore PTFE hose meets SAE100R14
- size range: dash-3 to dash-20
- temperature range: **-100°F to +450°F** (-73°C to +232°C)
- 304 stainless braided
- extruded or heat shrink coverings are available upon request
- **boxed coils (bulk, per ft. lengths and full reels available from Maryland and Texas call Dixon™ at 888.226.4673)**

Nominal Smooth Bore PTFE Hose (*fittings not included*)

Nominal Size	Average ID	Length in Feet	Dash Size	Working Pressure	Burst Pressure	White, non-conductive tube		Black, conductive tube	
						Part #	Price/E	Part #	Price/E
3/16"	.125"	100	dash-3	3000	12000	---	---	<b>BSB-03-100</b>	<b>\$711.00</b>
1/4"	.187"	100	dash-4	3000	12000	<b>WSB-04-100</b>	<b>\$576.00</b>	<b>BSB-04-100</b>	<b>634.50</b>
5/16"	.250"	100	dash-5	3000	12000	<b>WSB-05-100</b>	<b>670.40</b>	<b>BSB-05-100</b>	<b>678.15</b>
3/8"	.312"	100	dash-6	2500	10000	<b>WSB-06-100</b>	<b>753.05</b>	<b>BSB-06-100</b>	<b>814.50</b>
3/8T"	.375"	100	dash-6T	2250	9000	<b>WSB-06T-100</b>	<b>958.50</b>	<b>BSB-06T-100</b>	<b>1057.50</b>
1/2"	.405"	100	dash-8	2000	8000	<b>WSB-08-100</b>	<b>855.00</b>	<b>BSB-08-100</b>	<b>940.50</b>
5/8"	.500"	100	dash-10	1750	7000	<b>WSB-10-100</b>	<b>1125.00</b>	<b>BSB-10-100</b>	<b>1237.50</b>
3/4"	.625"	100	dash-12	1500	6000	<b>WSB-12-100</b>	<b>1424.75</b>	<b>BSB-12-100</b>	<b>1417.00</b>
3/4T"	.750"	50	dash-12T	1100	4400	<b>WSB-12T-50</b>	<b>974.25</b>	<b>BSB-12T-50</b>	<b>1073.25</b>
1"	.875"	50	dash-16	1000	4000	<b>WSB-16-50</b>	<b>1067.40</b>	<b>BSB-16-50</b>	<b>1511.25</b>

Nominal Smooth Bore PTFE Hose Per Foot Length (*fittings not included*)

Nominal Size	Average ID	Dash Size	White, non-conductive tube		Black, conductive tube	
			Part #	Price/FT	Part #	Price/FT
3/16"	.125"	dash-3	<b>WSB-03</b>	<b>\$6.10</b>	<b>BSB-03</b>	<b>\$7.15</b>
1/4"	.187"	dash-4	<b>WSB-04</b>	<b>5.80</b>	<b>BSB-04</b>	<b>6.35</b>
5/16"	.250"	dash-5	<b>WSB-05</b>	<b>6.55</b>	<b>BSB-05</b>	<b>6.50</b>
3/8"	.312"	dash-6	<b>WSB-06</b>	<b>7.45</b>	<b>BSB-06</b>	<b>8.15</b>
3/8T"	.375"	dash-6T	<b>WSB-06T</b>	<b>9.60</b>	<b>BSB-06T</b>	<b>10.60</b>
1/2"	.405"	dash-8	<b>WSB-08</b>	<b>8.55</b>	<b>BSB-08</b>	<b>9.45</b>
5/8"	.500"	dash-10	<b>WSB-10</b>	<b>11.25</b>	<b>BSB-10</b>	<b>12.40</b>
3/4"	.625"	dash-12	<b>WSB-12</b>	<b>14.10</b>	<b>BSB-12</b>	<b>13.95</b>
3/4T"	.750"	dash-12T	<b>WSB-12T</b>	<b>20.00</b>	<b>BSB-12T</b>	<b>21.50</b>
1"	.875"	dash-16	<b>WSB-16</b>	<b>21.35</b>	<b>BSB-16</b>	<b>29.45</b>
1T"	1.000"	dash-16T	<b>WSB-16T</b>	<b>29.55</b>	<b>BSB-16T</b>	<b>32.55</b>
1-1/4"	1.125"	dash-20Z	<b>WSB-20Z</b> <sup>1</sup>	<b>63.00</b>	<b>BSB-20Z</b> <sup>1</sup>	<b>75.80</b>

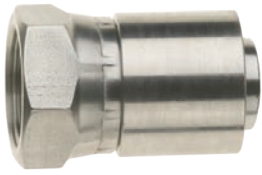
<sup>1</sup> double braided

- per feet lengths are available from Maryland and Texas only, call Dixon™ at 888.226.4673

## Nominal Fittings

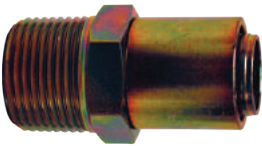
Crimp Collars for all Nominal fittings are *included*

## Female JIC Swivels



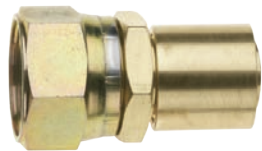
Hose Size	Thread Size	Carbon Steel		304 Stainless Steel		Brass		Box Qty
		Part #	Price/E	Part #	Price/E	Part #	Price/E	
dash 4	1/4"	<b>FJC-04-04</b>	\$7.30	<b>FJS-04-04</b>	\$19.05	<b>FJB-04-04</b>	\$6.20	25
dash 5	5/16"	<b>FJC-05-05</b>	12.45	<b>FJS-05-05</b>	21.70	<b>FJB-05-05</b>	8.80	25
dash 6	3/8"	<b>FJC-06-06</b>	13.85	<b>FJS-06-06</b>	25.05	<b>FJB-06-06</b>	10.20	25
dash 8	1/2"	<b>FJC-08-08</b>	13.95	<b>FJS-08-08</b>	33.85	<b>FJB-08-08</b>	12.50	25
dash 10	5/8"	<b>FJC-10-10</b>	16.20	<b>FJS-10-10</b>	44.80	<b>FJB-10-10</b>	23.50	25
dash 12	3/4"	<b>FJC-12-12</b>	22.85	<b>FJS-12-12</b>	64.20	<b>FJB-12-12</b>	30.70	10
dash 16	1"	<b>FJC-16-16</b>	36.10	<b>FJS-16-16</b>	113.40	<b>FJB-16-16</b>	43.60	10
dash 20Z	1 1/4"	<b>FJC-20Z-20</b>	114.30	<b>FJS-20Z-20</b>	293.40	<b>FJB-20Z-20</b>	153.00	5

## Rigid Male Pipe



Hose Size	Thread Size	Carbon Steel		304 Stainless Steel		Brass		Box Qty
		Part #	Price/E	Part #	Price/E	Part #	Price/E	
dash 4	1/8"	<b>MPC-04-02</b>	\$6.45	<b>MPS-04-02</b>	\$12.10	<b>MPB-04-02</b>	\$5.60	25
dash 4	1/4"	<b>MPC-04-04</b>	6.40	<b>MPS-04-04</b>	14.85	<b>MPB-04-04</b>	5.90	25
dash 5	1/4"	<b>MPC-05-04</b>	8.05	<b>MPS-05-04</b>	13.95	<b>MPB-05-04</b>	7.10	25
dash 6	1/4"	<b>MPC-06-04</b>	10.70	<b>MPS-06-04</b>	20.45	<b>MPB-06-04</b>	10.15	25
dash 6	3/8"	<b>MPC-06-06</b>	8.35	<b>MPS-06-06</b>	17.10	<b>MPB-06-06</b>	9.00	25
dash 8	3/8"	<b>MPC-08-06</b>	11.85	<b>MPS-08-06</b>	27.80	<b>MPB-08-06</b>	13.95	25
dash 8	1/2"	<b>MPC-08-08</b>	11.85	<b>MPS-08-08</b>	28.35	<b>MPB-08-08</b>	13.50	25
dash 10	1/2"	<b>MPC-10-08</b>	21.15	<b>MPS-10-08</b>	29.70	<b>MPB-10-08</b>	14.70	25
dash 12	3/4"	<b>MPC-12-12</b>	21.05	<b>MPS-12-12</b>	46.85	<b>MPB-12-12</b>	28.30	10
dash 16	1"	<b>MPC-16-16</b>	38.95	<b>MPS-16-16</b>	100.15	<b>MPB-16-16</b>	51.40	10
dash 20Z	1 1/4"	<b>MPC-20Z-20</b>	157.50	<b>MPS-20Z-20</b>	185.25	<b>MPB-20Z-20</b>	207.00	5

## Female SAE Swivels



Hose Size	Thread Size	Carbon Steel		Brass		Box Qty
		Part #	Price/E	Part #	Price/E	
dash 6	3/8"	<b>SAEC-06-06</b>	17.65	<b>SAEB-06-06</b>	11.40	25
dash 12	3/4"	<b>SAEC-12-12</b>	24.75	<b>SAEB-12-12</b>	33.80	10

## Nominal PTFE Hose Insertion Tool and Dies

**Feature:**

- designed to take the hassle out of installing crimp collars onto braided PTFE Hose; with a few simple steps even challenging braid can be easily and safely inserted into the crimp collar

Description	Size	Part #	Price/E
tool / die holder	---	<b>ITDH</b>	<b>\$350.00</b>
die	dash 4	<b>ITD-04</b>	<b>206.00</b>
die	dash 5	<b>ITD-05</b>	<b>206.00</b>
die	dash 6	<b>ITD-06</b>	<b>206.00</b>
die	dash 8	<b>ITD-08</b>	<b>206.00</b>
die	dash 10	<b>ITD-10</b>	<b>206.00</b>
die	dash 12	<b>ITD-12</b>	<b>206.00</b>
die	dash 16	<b>ITD-16</b>	<b>206.00</b>



## Nominal Smooth Bore PTFE Hose Fittings Tube End Stubs

**Feature:**

- crimp collars for all nominal fittings are included

Hose Size	Tube Size	304 Stainless Steel Part #	Price/E
dash 4	1/4"	<b>TES-04-04</b>	<b>\$21.40</b>
dash 6	3/8"	<b>TES-06-06</b>	<b>26.30</b>
dash 8	1/2"	<b>TES-08-08</b>	<b>45.15</b>
dash 12	3/4"	<b>TES-12-12</b>	<b>129.20</b>
dash 16	1"	<b>TES-16-16</b>	<b>137.90</b>



## 45° FJIC

Hose Size	Thread Size	304 Stainless Steel		Carbon Steel	
		Part #	Price/E	Part #	Price/E
dash 3	3/16"	<b>FJS45-03-03</b>	<b>\$55.75</b>	<b>FJC45-03-03</b>	<b>\$21.05</b>
dash 4	1/4"	<b>FJS45-04-04</b>	<b>62.25</b>	<b>FJC45-04-04</b>	<b>23.90</b>
dash 5	5/16"	<b>FJS45-05-05</b>	<b>63.60</b>	<b>FJC45-05-05</b>	<b>24.25</b>
dash 6	3/8"	<b>FJS45-06-06</b>	<b>69.75</b>	<b>FJC45-06-06</b>	<b>27.10</b>
dash 8	1/2"	<b>FJS45-08-08</b>	<b>86.85</b>	<b>FJC45-08-08</b>	<b>32.85</b>
dash 10	5/8"	<b>FJS45-10-10</b>	<b>97.20</b>	<b>FJC45-10-10</b>	<b>37.95</b>
dash 12	3/4"	<b>FJS45-12-12</b>	<b>122.65</b>	<b>FJC45-12-12</b>	<b>52.20</b>
dash 16	1"	<b>FJS45-16-16</b>	<b>197.95</b>	<b>FJC45-16-16</b>	<b>68.80</b>
dash 20Z	1-1/4"	<b>FJS45-20Z-20</b>	<b>266.65</b>	<b>FJC45-20Z-20</b>	<b>103.70</b>



## 90° FJIC

Hose Size	Thread Size	304 Stainless Steel		Carbon Steel	
		Part #	Price/E	Part #	Price/E
dash 3	3/16"	<b>FJS90-03-03</b>	<b>\$55.75</b>	<b>FJC90-03-03</b>	<b>\$21.05</b>
dash 4	1/4"	<b>FJS90-04-04</b>	<b>62.25</b>	<b>FJC90-04-04</b>	<b>23.90</b>
dash 5	5/16"	<b>FJS90-05-05</b>	<b>63.60</b>	<b>FJC90-05-05</b>	<b>24.25</b>
dash 6	3/8"	<b>FJS90-06-06</b>	<b>69.75</b>	<b>FJC90-06-06</b>	<b>27.10</b>
dash 8	1/2"	<b>FJS90-08-08</b>	<b>86.85</b>	<b>FJC90-08-08</b>	<b>32.85</b>
dash 10	5/8"	<b>FJS90-10-10</b>	<b>97.20</b>	<b>FJC90-10-10</b>	<b>37.95</b>
dash 12	3/4"	<b>FJS90-12-12</b>	<b>122.65</b>	<b>FJC90-12-12</b>	<b>52.20</b>
dash 16	1"	<b>FJS90-16-16</b>	<b>197.95</b>	<b>FJC90-16-16</b>	<b>68.80</b>
dash 20Z	1-1/4"	<b>FJS90-20Z-20</b>	<b>266.65</b>	<b>FJC90-20Z-20</b>	<b>103.70</b>





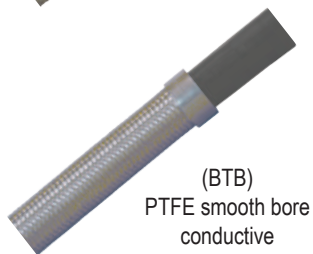
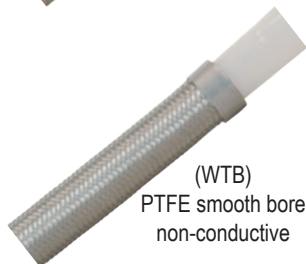
## True ID

### Application:

- suitable for conveying acids, chemicals, foods and pharmaceuticals

### Features:

- range: 1/4" to 2"
- temperature range: **-100°F to +450°F** (-73°C to +232°C)
- **boxed coils (bulk, per ft. lengths and full reels available from Maryland and Texas, call Dixon™ at 888.226.4673)**
- 304 stainless braided
- other braids including synthetic, extruded and heat shrink coverings are available upon request



<sup>1</sup> double braid

### True ID Hose (fittings not included)

#### True ID Open Pitch Convoluted Hose

Size	Working Pressure	Burst Pressure	White, non-conductive		Black, conductive	
			Part #	Price/FT	Part #	Price/FT
1/4"	1740	6960	<b>WOC-T04</b>	\$21.45	<b>BOC-T04</b>	\$27.75
3/8"	1850	7400	<b>WOC-T06</b>	21.45	<b>BOC-T06</b>	27.75
1/2"	1500	6000	<b>WOC-T08</b>	24.10	<b>BOC-T08</b>	26.45
3/4"	1300	5200	<b>WOC-T12</b>	28.20	<b>BOC-T12</b>	31.50
1"	1000	4000	<b>WOC-T16</b>	45.70	<b>BOC-T16</b>	49.85
1 1/4"	900	3600	<b>WOC-T20</b>	54.85	<b>BOC-T20</b>	71.00
1 1/2"	700	2800	<b>WOC-T24</b>	71.10	<b>BOC-T24</b>	78.30
2"	500	2000	<b>WOC-T32</b>	90.65	<b>BOC-T32</b>	99.85

#### Heavy Wall True ID Smooth Bore Hose

Size	Working Pressure	Burst Pressure	White, non-conductive		Black, conductive	
			Part #	Price/FT	Part #	Price/FT
1/4"	3000	12000	<b>WTB-T04</b>	\$10.40	<b>BTB-T04</b>	\$11.80
3/8"	2250	9000	<b>WTB-T06</b>	14.25	<b>BTB-T06</b>	15.75
1/2"	1500	6000	<b>WTB-T08</b>	17.75	<b>BTB-T08</b>	19.50
3/4"	1100	4400	<b>WTB-T12</b>	29.50	<b>BTB-T12</b>	32.40
1"	900	3600	<b>WTB-T16</b>	39.60	<b>BTB-T16</b>	43.55
1"	1650	6600	<b>WTB-T16Z</b>	63.80	<b>BTB-T16Z</b>	75.65
1 1/4"	1000	4000	<b>WTB-T20Z</b>	79.95	<b>BTB-T20Z</b>	105.50
1 1/2"	1100	4000	<b>WTB-T24Z</b>	185.50	<b>BTB-T24Z</b>	155.35

## True ID Fittings

Crimp collars for all True ID fittings are sold separately

### Female JIC Swivel



Size	Carbon Steel		316 Stainless Steel		Box Qty
	Part #	Price/E	Part #	Price/E	
1/4"	<b>FJC-T04</b>	\$11.10	<b>FJR-T04</b>	\$25.45	10
3/8"	<b>FJC-T06</b>	12.10	<b>FJR-T06</b>	33.30	10
1/2"	<b>FJC-T08</b>	20.05	<b>FJR-T08</b>	40.05	10
3/4"	<b>FJC-T12</b>	23.05	<b>FJR-T12</b>	59.55	10
1"	<b>FJC-T16</b>	29.40	<b>FJR-T16</b>	103.35	10
1 1/4"	<b>FJC-T20</b>	78.30	<b>FJR-T20</b>	212.40	10
1 1/2"	<b>FJC-T24</b>	75.15	<b>FJR-T24</b>	267.80	10
2"	<b>FJC-T32</b>	141.65	<b>FJR-T32</b>	445.80	10

### Rigid Male Pipe



Size	Carbon Steel		316 Stainless Steel		Box Qty
	Part #	Price/E	Part #	Price/E	
1/4"	<b>MPC-T04</b>	\$5.70	<b>MPR-T04</b>	\$21.60	10
3/8"	<b>MPC-T06</b>	7.85	<b>MPR-T06</b>	28.60	10
1/2"	<b>MPC-T08</b>	16.90	<b>MPR-T08</b>	37.35	10
3/4"	<b>MPC-T12</b>	20.25	<b>MPR-T12</b>	59.45	10
1"	<b>MPC-T16</b>	31.30	<b>MPR-T16</b>	104.75	10
1 1/4"	<b>MPC-T20</b>	53.10	<b>MPR-T20</b>	185.40	10
1 1/2"	<b>MPC-T24</b>	60.30	<b>MPR-T24</b>	211.50	10
2"	<b>MPC-T32</b>	101.70	<b>MPR-T32</b>	333.00	10

## True ID Fittings

## Sanitary Tri-Clamps

Hose Size	Clamp Size	316 Stainless Steel		Box Qty
		Part #	Price/E	
1/2"	1"	<b>TCR-T08-16</b>	<b>\$128.95</b>	10
1/2"	1 1/2"	<b>TCR-T08-24</b>	<b>150.65</b>	10
3/4"	1 1/2"	<b>TCR-T12-24</b>	<b>161.50</b>	10
1"	1"	<b>TCR-T16-16</b>	<b>120.60</b>	10
1"	1 1/2"	<b>TCR-T16-24</b>	<b>138.90</b>	10
1 1/2"	1 1/2"	<b>TCR-T24-24</b>	<b>150.65</b>	10
2"	2"	<b>TCR-T32-32</b>	<b>200.75</b>	10



## Mini Sanitary Tri-Clamps

Size	316 Stainless Steel		Box Qty
	Part #	Price/E	
1/2"	<b>TCMR-T08</b>	<b>\$56.70</b>	10
3/4"	<b>TCMR-T12</b>	<b>57.60</b>	10



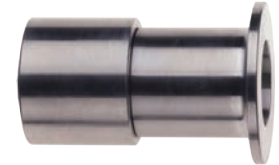
- contact Dixon™ for GSM and PTFE hose assemblies

## Flange Retainers

## Feature:

- for use with lap joint flanges, see page 726

Size	316 Stainless Steel		316 Stainless Steel PTFE Encapsulated		Box Qty
	Part #	Price/E	Part #	Price/E	
1/2"	<b>FRR-T08</b>	<b>\$97.45</b>	---	---	10
3/4"	<b>FRR-T12</b>	<b>116.55</b>	<b>FRRE-T12</b>	<b>\$326.10</b>	10
1"	<b>FRR-T16</b>	<b>146.80</b>	<b>FRRE-T16</b>	<b>492.70</b>	10
1 1/4"	<b>FRR-T20</b>	<b>225.00</b>	<b>FRRE-T20</b>	<b>616.50</b>	10
1 1/2"	<b>FRR-T24</b>	<b>287.45</b>	<b>FRRE-T24</b>	<b>585.00</b>	10
2"	<b>FRR-T32</b>	<b>510.60</b>	<b>FRRE-T32</b>	<b>976.60</b>	10



## Crimp Collars

## Convuluted Crimp Collars

## Features:

- for open pitch convuluted PTFE hose only
- new design for ease of installation and improved appearance of finished crimp

Size	Carbon Steel		304 Stainless Steel		Box Qty
	Part #	Price/E	Part #	Price/E	
1/4"	<b>CSC-T04-1</b>	<b>\$5.40</b>	<b>SSC-T04-1</b>	<b>\$17.05</b>	10
3/8"	<b>CSC-T06-1</b>	<b>6.20</b>	<b>SSC-T06-1</b>	<b>18.45</b>	10
1/2"	<b>CSC-T08-1</b>	<b>11.40</b>	<b>SSC-T08-1</b>	<b>21.90</b>	10
3/4"	<b>CSC-T12-1</b>	<b>13.75</b>	<b>SSC-T12-1</b>	<b>31.55</b>	10
1"	<b>CSC-T16-1</b>	<b>15.35</b>	<b>SSC-T16-1</b>	<b>48.40</b>	10
1 1/4"	<b>CSC-T20-1</b>	<b>39.65</b>	<b>SSC-T20-1</b>	<b>78.30</b>	10
1 1/2"	<b>CSC-T24-1</b>	<b>45.85</b>	<b>SSC-T24-1</b>	<b>93.35</b>	10
2"	<b>CSC-T32-1</b>	<b>59.55</b>	<b>SSC-T32-1</b>	<b>157.80</b>	10



## Smooth Bore Crimp Collars

## Features:

- for True ID smooth bore PTFE hose only
- new design for ease of installation and improved appearance of finished crimp

Size	Carbon Steel		304 Stainless Steel		Box Qty
	Part #	Price/E	Part #	Price/E	
1/4"	<b>CSC-T04-2</b>	<b>\$5.40</b>	<b>SSC-T04-2</b>	<b>\$17.05</b>	10
3/8"	<b>CSC-T06-2</b>	<b>6.20</b>	<b>SSC-T06-2</b>	<b>18.45</b>	10
1/2"	<b>CSC-T08-2</b>	<b>11.40</b>	<b>SSC-T08-2</b>	<b>21.90</b>	10
3/4"	<b>CSC-T12-2</b>	<b>13.75</b>	<b>SSC-T12-2</b>	<b>31.55</b>	10
1"	<b>CSC-T16-2</b>	<b>15.35</b>	<b>SSC-T16-2</b>	<b>48.40</b>	10
1 1/4"	<b>CSC-T20-2</b>	<b>39.65</b>	<b>SSC-T20-2</b>	<b>78.30</b>	10
1 1/2"	<b>CSC-T24-2</b>	<b>44.65</b>	<b>SSC-T24-2</b>	<b>93.35</b>	10



Contact Dixon™ at 888.226.4673 for assembly instructions and crimp recommendations.

## Ordering Information - PTFE Hose Assemblies

**Assemblies only ship from MD and TX, please call Dixon™ at 888.226.4673 for assembly pricing.**

To select the proper PTFE hose assembly you need the following information:

Hose Style:	Length OAL:
Size:	
A End Configuration:	A End Material:
B End Configuration:	B End Material:
Maximum Working Pressure:	Temperature Range:
Application:	
Media / Product being handled: (if a chemical, please advise concentration):	
Bend radius requirement:	
If for suction service, advise maximum vacuum in inches of Mercury (Hg):	

Our factory sales and engineering staff will be happy to help you evaluate your PTFE hose application. Please call 888.226.4673.





**YARDLEY  
PRODUCTS  
CORP.**

10 West College Avenue  
PO Box 357  
Yardley, PA 19067-8357

800.457.0154 • 215.493.2723  
Fax: 215.493.6796  
yardleyproducts.com  
email: info@yardleyproducts.com

**Unique Solutions  
for Your Fastening Needs**

**Precision Engineered Threaded Inserts**

- large inventory - over 24 million inserts in stock ready for immediate shipment
- fast delivery - same day shipment if order is received by 2 p.m. EST, Next Day delivery available
- patented designs - "time tested" designs proven on thousands of products and a wide variety of materials
- quality - patented designs manufactured to exact tolerances
- dependability - we listen to our customer's needs
- custom manufacturing - experience in manufacturing inserts to specific customer requested tolerances and designs
- flexibility - small quantities, large quantities or special runs plus free samples of stock items
- special runs - no minimum quantities on special order parts
- experience - established 1946
- Visa/Mastercard and American Express accepted

**Product Selection Guide**

**type A closed end inserts, type B open end inserts and type C closed end with counter bore inserts**

Install Methods	Base Materials	Description
molded-in epoxied-in	thermoset plastics thermoplastics rubber ceramics	A wide range of threaded inserts featuring patented designs for molded-in use. Close tolerance of minor thread diameter and careful burnishing of inner thread crests assure snug fit on pins. Extremely flat ends on inserts (with no burrs, ridges or other defects) mean no leakage of material on the face of the mold. <i>Available in brass, aluminum and stainless steel.</i>



**type D studded end inserts**

Install Methods	Base Materials	Description
molded-in epoxied-in	thermoset plastics thermoplastics rubber ceramics	Threaded stud inserts featuring patented designs for molded-in use. Proportioned for maximum holding strength. Can be screwed to butt flush with a Yardley Type C Insert. <i>Available in brass.</i>



**bi-sert® inserts**

Install Methods	Base Materials	Description
molded-in	thermoset plastics thermoplastics glass-filled plastics	Designed for rotational molding, this insert provides exceptional torque and pull-out resistance. Unique hex design allows it to be used with fibrous materials where the fibers would block the flow of the plastic material around ordinary inserts. Inside diameter held to strict tolerances for a smooth, tight fit on locating pins. <i>Available in brass and aluminum.</i>



**zap-sert® inserts**

Install Methods	Base Materials	Description
molded-in ultrasonic thermal pressed-in	thermoset plastics thermoplastics	Economical design features a lead on both ends making this insert ideal for high volume, automated production. Unique radial barbs provide strong resistance to pull-out and rotation in plastics and thermoplastics. Can be molded-in or installed with ultrasonic or thermal insertion tools. <i>Available in brass.</i>



**type E closed end and type F open end pressed-in inserts**

Install Methods	Base Materials	Description
pressed-in epoxied-in	thermoset plastics thermoplastics rubber ceramics	Spiral knurled, open or closed-ended inserts for pressing into soft materials such as plastics, foamed plastics and rubber. Ideal for use where minimal pull-out strength is needed, but some torque resistance is required. Can also be molded-in and feature patented I.D. design for use with locating pins. <i>Available in brass and aluminum.</i>



## Product Selection Guide

### quick-sert® inserts



Install Methods	Base Materials	Description
pressed-in	aluminum soft metals	Designed for fast easy press-in installation, providing permanent threads in aluminum and other soft metals. Its smooth tapered lead allows easy positioning for quick starts in a pre-drilled hole and the knurled body locks tightly in the host material. Its thick wall design prevents thread distortion. <i>Available in plated steel.</i>

### sharp-sert® regular, short and flanged series inserts



Install Methods	Base Materials	Description
pressed-in ultrasonic thermal	thermoset plastics thermoplastics wood	Versatile, economical and trouble free, they offer easy, high-speed installation. Curved hooks and lateral flutes lock them into plastics, particle board and wood. Install with ultrasonic or thermal tools or just hammer or press them in. <i>Available in brass and stainless steel.</i>

### fiber-sert® regular and diecast series inserts



Install Methods	Base Materials	Description
threaded-in	wood particle board ABS foamed plastics	Special design makes them ideal for wood, particle board, ABS and foamed plastics. Large coarse outer threads give great holding power in weaker materials while inside threads stay clean, free of chips. Install with Yardley pneumatic inserter or easy-to-use self-tapping driver. <i>Available in brass and diecast.</i>

### tri-sert® regular, short, coarse threaded and slotted coarse threaded series inserts



Install Methods	Base Materials	Description
threaded-in	thermoset plastics thermoplastics wood soft metals	For strong threads in plastics, soft metals and wood. Self-tapping, they provide high torque and pull-out resistance. Install with Yardley pneumatic inserter, insert driver or screw driver. <i>Available in brass, plated steel and stainless steel.</i>

### intro-sert® regular and short series inserts



Install Methods	Base Materials	Description
ultrasonic thermal	thermoplastics ABS polycarbonates	For use in thermoplastic materials such as ABS and polycarbonates. Intro-Serts have no sharp edges on their outer annular ribs to cause residual stress cracking. Install them fast and easily with ultrasonic or thermal insertion tools. <i>Available in brass, aluminum and stainless steel.</i>

### tri-sert® slotted coarse threaded inserts



Install Methods	Base Materials	Description
screwdriver Yardley inserting tool	brittle or weak plastics	Inserts are internally and externally threaded metal inserts with a slot on one end. The inserts tap their own threads as they are (turned) into drilled or cored holes. The wider spaced external threads reduce installation torque and provide a stronger hold. <i>Available in brass and stainless steel. Custom sizes and materials are also available.</i>

Contact Yardley at 800.457.0154 for more information on all the threaded inserts on pages 803 and 804.



203 Log Canoe Circle  
 Stevensville, MD 21666  
 ph 410.643.8900 • fx 410.643.8954  
 sales@hydrasearch.com  
 hydrasearch.com

Hydrasearch, established in 1962, is a division of Dixon™ and a large manufacturer and global distributor of fluid transfer products. Hydrasearch's range of offerings includes marine hose and fittings, aerospace hose and fittings, technical products valves and fittings and products for underway replenishment and refueling at sea.

Today, Hydrasearch products can be found on submarines, surface ships, helicopters, fixed-wing aircraft, tanks, and ground equipment throughout the world. With our experienced staff, expanding product line, and growing global distribution, Hydrasearch continues to improve and expand to meet your needs today and into the future.



#### Aerospace Hose and Fittings:

- Reusable fittings
- Hose assemblies
- Low, medium or high pressure rubber
- Medium pressure PTFE hose and fittings

#### Features:

- Suitable for fuel, hydraulic, engine oil and coolant applications

#### Technical Products:

- Globe and instrument valves
- Pipe and tube fittings
- O-ring face seal union assemblies

#### Features:

- Pressure up to 6000 PSI
- NICU, bronze, stainless steel or CUNI

#### Marine Hose and Fittings:

- Hose and fittings
- Split clamps, adapters, Sil-braze tail pieces and accessories

#### Features:

- Suitable for fuel, hydraulic oil, low pressure air, fresh water and salt water applications
- Suitable for pressure or vacuum service
- Monel, bronze or stainless steel

#### Underway Replenishment:

- Probes and receivers
- Fuel hose and fittings
- Products for alongside and astern
- Refueling
- Products for solid cargo transfer



Buck Algonquin, Hydrasearch's commercial product line, has been an industry leader in quality marine hardware below the waterline for over 50 years. Our product line includes:

- Deck hardware
- Drivetrain parts
- Exhaust fittings
- Hose and clamps
- Plumbing and fittings
- Valves
- Coupling and shafting accessories
- Steering hardware
- Strainers
- Thru hulls

*Best Below the Waterline*



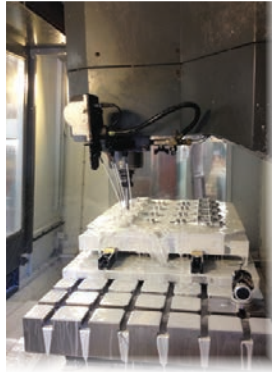


Casting Solutions Since 1951

## Buck Company, Inc.

897 Lancaster Pike  
 Quarryville, PA 17566  
 717.284.4114  
 buckcompany.com

Aluminum • Brass • Bronze  
 Ductile Iron • Malleable Iron



Buck Company offers a unique Total Castings Solutions experience. Our integrated engineering, manufacturing and machining services help our customers eliminate waste, drive down costs and creates a culture of continuous improvement. Our value is measured by the real results of our customers.

Everything you need, with the quality and value you deserve, from one reliable source.

- ISO 9001: 2008
- Certified Green Sand production
- Brass, bronze, aluminum, ductile iron and malleable iron castings
- 3D prototyping
- Pattern making
- Heat treating and machining services

## What is Total Casting Solutions?



- A customized service provided by an experienced and knowledgeable team that will work in conjunction with Engineering, Quality and Purchasing departments to achieve, not only a tangible sample of design, but also a production part that is casting friendly, cost effective and finished to the required specifications
- A relationship that will help determine design and application needs and develop avenues to achieve these goals in a manner that yields production quickly and efficiently
- An on-going promise that processes are being routinely reviewed to better serve customer needs, keep costs down and provide a finished product ready for production, on-time

## S.T.A.M.P.E.D.

When fabricating and specifying hose assemblies ask the following questions:

- Size:** What is the ID (Inside Diameter) of the hose? What is the OD (Outside Diameter) of both ends of the hose? What is the overall length of the assembly required?
- Temperature:** What is the temperature range of the media (product) that is flowing through the hose assembly? What is the temperature range of the environment that surrounds the outside of the hose assembly?
- Application:** How is the hose assembly actually being used? Is it a pressure application? Is it a vacuum (suction) application? Is it a gravity flow application? Are there any special requirements that the hose assembly is expected to perform? Is the hose being used in a horizontal or vertical position? Are there any pulsations or vibrations acting on the hose assembly?
- Media:** What is the media/material that is flowing through the hose assembly? Being specific is critical. Check for: Abrasive materials, chemical compatibility, etc.
- Pressure:** What is the maximum pressure including surges (or, maximum vacuum) that this hose assembly will be subjected to? Always rate the maximum working pressure of your hose assembly by the lowest rated component in the system.
- Ends:** What couplings have been requested by the user? Are they the proper fittings for the application and hose selected?
- Dixon™:** Dixon™ recommends that, based on the hose, fittings and attachment method used, all assemblies be permanently marked with the designed working pressure and intended media. Do not use other manufacturer's fittings or ferrules with Dixon™ products due to the differences in dimensions and tolerances. We also recommend that all hose assemblies be tested frequently.  
*Be Safe:* Any questions on application, use or assembly call 800.355.1991.

## MSHA (Mine Safety and Health Administration) Regulations

### 30 CFR Sections 56.13021 and 57.13021

Except where automatic shut-off valves are used, safety chains or other suitable locking devices shall be used at connections to machines of high-pressure hose line of ¾" inside diameter or larger, and between high-pressure hose lines of ¾" inside diameter or larger, where a connection failure would create a hazard.

### 30 CFR Section 75.1730

(e) Safety chains, suitable locking devices, or automatic cut-off valves shall be used at connections to machines of high-pressure hose lines of ¾" inside diameter or larger, and between high-pressure hose lines of ¾" inside diameter or larger, where a connection failure would create a hazard. For purposes of this paragraph, high-pressure means pressure of 100 PSI or more.

### 30 CFR Section 77.412

(d) Safety chains or suitable locking devices shall be used at connections to machines of high-pressure hose line of 1" inside diameter or larger, and between high-pressure hose line of 1" inside diameter or larger, where a connection failure would create a hazard.





## OSHA Regulations

### Standards - 29 CFR, 1910.242 (partial):

(b) Compressed air used for cleaning - Compressed air shall not be used for cleaning purposes except where reduced to less than 30 PSI and then only with effective chip guarding and personal protective equipment.

### Standards - 29 CFR, 1915.131 (partial):

(e) Before use, pneumatic tools shall be secured to the extension hose or whip by some positive means to prevent the tool from becoming accidentally disconnected from the whip.

### Standards - 29 CFR, 1926.302 (partial):

(b)(1) Pneumatic power tools shall be secured to the hose or whip by some positive means to prevent the tool from becoming accidentally disconnected.

(b)(2) Safety clips or retainers shall be securely installed and maintained on pneumatic impact (percussion) tools to prevent attachments from being accidentally expelled.

(b)(3) All pneumatically driven nailers, staplers and other similar equipment provided with automatic fastener feed, which operate at more than 100 PSI pressure at the tool shall have a safety device on the muzzle to prevent the tool from ejecting fasteners, unless the muzzle is in contact with the work surface.

(b)(4) Compressed air shall not be used for cleaning purposes except where reduced to 30 PSI and then only with effective chip guarding and personal protective equipment which meets the requirements of Subpart E of this part. The 30 PSI requirement does not apply for concrete form, mill scale and similar cleaning purposes.

(b)(5) The manufacturer's safe operating pressure for hoses, pipes, valves, filters and other fittings shall not be exceeded.

(b)(6) The use of hoses for hoisting or lowering tools shall not be permitted.

(b)(7) All hoses exceeding ½" inside diameter shall have a safety device at the source of supply or branch line to reduce pressure in case of hose failure.

### Standards - 29 CFR, 1926.306:

#### (a) General requirements

(a)(1) Application. This section applies to compressed air receivers, and other equipment used in providing and utilizing compressed air for performing operations such as cleaning, drilling, hoisting, and chipping. On the other hand, however, this section does not deal with the special problems created by using compressed air to convey materials nor the problems created when men work in compressed air as in tunnels and caissons. This section is not intended to apply to compressed air machinery and equipment used on transportation vehicles such as steam railroad cars, electric railway cars, and automotive equipment.

#### (a)(2) New and existing equipment.

(a)(2)(i) All new air receivers installed after the effective date of these regulations shall be constructed in accordance with the 1968 edition of the A.S.M.E. Boiler and Pressure Vessel Code Section VIII.

(a)(2)(ii) All safety valves used shall be constructed, installed and maintained in accordance with the A.S.M.E. Boiler and Pressure Vessel Code, Section VIII Edition 1968.

#### (b) Installation and equipment requirements

(b)(1) Installation. Air receivers shall be so installed that all drains, handholes, and manholes therein are easily accessible. Under no circumstances shall an air receiver be buried underground or located in an inaccessible place.

(b)(2) Drains and traps. A drain pipe and valve shall be installed at the lowest point of every air receiver to provide for the removal of accumulated oil and water. Adequate automatic traps may be installed in addition to drain valves. The drain valve on the air receiver shall be opened and the receiver completely drained frequently and at such intervals as to prevent the accumulation of excessive amounts of liquid in the receiver.

#### (b)(3) Gauges and valves.

(b)(3)(i) Every air receiver shall be equipped with an indicating pressure gauge (so located as to be readily visible) and with one or more spring-loaded safety valves. The total relieving capacity of such safety valves shall be such as to prevent pressure in the receiver from exceeding the maximum allowable working pressure of the receiver by more than 10 percent.

(b)(3)(ii) No valve of any type shall be placed between the air receiver and its safety valve or valves.

### Standards - 29 CFR, 1926.603 (partial):

(a)(9) Steam hose leading to a steam hammer or jet pipe shall be securely attached to the hammer with an adequate length of at least ¼" diameter chain or cable to prevent whipping in the event the joint at the hammer is broken. Air hammer hoses shall be provided with the same protection as required for steam lines.

(a)(10) Safety chains, or equivalent means, shall be provided for each hose connection to prevent the line from thrashing around in case the coupling becomes disconnected.

*The regulations may be viewed in full on the OSHA website, [osha.gov](http://osha.gov), please check the website for updates.*

### The Canada Occupational Safety and Health regulations, Part XIII, 13:6b states:

"Where an air hose is connected to a portable air powered tool used by an employee, a restraining device shall be attached to all hose connections, in order to prevent injury to an employee in the event of an accidental disconnection of a hose."

## Hose Coupling Workshops

In an effort to provide our customers with information regarding the proper and safe methods of assembling hose and couplings, Dixon™ offers Hose Coupling Workshops suitable for a company's sales force and shop personnel.

Classes consist of lectures and/or hands-on demonstrations of coupling selection, hose preparation, coupling installation, assembly testing and maintenance procedures. Morning, afternoon and all day classes are available. For more information, please contact the factory at 800.355.1991.

We encourage you to share this information with anyone who may be affected by the selection, installation, maintenance or use of any hose assembly. Always use quality products to **Be Safe**.

## Be Safe

Hose assemblies must be inspected prior to each use. Worn out fittings, attachment devices, hose and accessory items must be replaced. Retaining devices (safety devices) such as clips, cables or chains must be used. Clamps must be checked regularly to the specified torque found in the Dixon™ literature. Under no circumstance should any coupling be disconnected while under pressure unless the coupling is specifically designed to do so. Disconnecting couplings under pressure could result in serious injury or death, and destruction to property and equipment.

For all hose assemblies in use:

- Beware** - Hose assemblies when used improperly or in the wrong application can be dangerous. The maximum working pressure shown on the hose is not an indication of the working pressure of the assembly. Based on the hose, fittings and attachment method used, all assemblies should be permanently marked with the designed working pressure and the intended media. The assembly working pressure should be permanently displayed. Hose assemblies must be used for the intended service only. Never alter manufactured product or substitute component parts.
- Eliminate** - hazardous conditions by inspecting, maintaining and testing hose assemblies. Dixon™ recommends that all hose assemblies be tested in accordance with the hose manufacturer's specifications. The application determines the regularity of the re-testing schedule.
- Secure** - and inspect hose, fittings, clamping devices and safety accessories before each use. Never take for granted that the coupling or attachment devices are properly installed.
- Always** - inspect and re-tighten the bolts of any bolt style clamping device to the manufacturer's torque specifications.
- Fittings** - hose and clamping devices that are worn out or damaged must be removed from service.
- Educate** - your employees about the proper use, care and potential hazards of hose assemblies. Take advantage of Dixon™'s free Hose Assembly Safety Program and the follow up Training Seminar to aid you in setting up your own inspection program. Any questions on applications, use or assembly call 800.355.1991.

### **WARNING**

#### The Importance of Whip Hose

The constant vibration created by air tools, like air drills and pavement breakers, is destructive to air hose couplings, especially the quick-acting type. To provide protection against coupling breakage and related hazards, Dixon™ recommends the use of a whip hose. To construct a whip hose, connect one end of a short (3' to 10') air hose to the air tool using a 3500 type steel nipple. Connect the other end of the hose to the air supply using the standard quick-acting coupling. The heat-treated 3500 nipple will withstand vibration far better than the standard coupling and provide a safer connection. The whip hose should remain permanently connected to the tool.

## Best Practices Safety Assessment

Dixon™, in partnership with your industrial hose supplier, is pleased to offer a hose and coupling safety survey of your plant, at no cost to you, to assist in your efforts to make your facility as safe, efficient and productive as possible.

Today, plant safety is an enormous, ongoing endeavor in which it is impossible to be an expert in every field.

The use of damaged or misapplied hose couplings and related items occurs. To the untrained eye, these hazards may continue to exist until an accident happens, threatening not only plant machinery, but also the well-being of plant personnel.

Our program includes a visual inspection of hose assemblies and related accessories in your plant by trained technicians. A professionally written report containing our observations and recommendations for corrective action is subsequently provided to augment your own ongoing safety program. If desired, photographs of the areas of concern can be supplied with the report. As a follow-up, the program offers an educational hands-on seminar directly relating to the safety concerns in your facility.

Plant safety is coming under increasing scrutiny by various regulatory agencies. Let Dixon™'s trained personnel assist you in establishing and maintaining safety compliance in your plant.

The safety survey report is completely confidential and will only be shown to authorized plant personnel. For more information, please contact Dixon™ at 800.355.1991.

## Safety Products and Recommendations in the Dixon™ Price List

### ***Safety is everyone's concern!***

Dixon™ provides many safety products designed to protect personnel and property. Recommendations and safety warnings are also included for your review.

Hose and coupling safety .....	pages 9, 807-810
S.T.A.M.P.E.D. ....	page 807
Pressure recommendations .....	pages 811-816
EZ Boss-Lock™ handles .....	pages 29, 76
Cam and groove safety clips .....	pages 29, 76-77
Air King™ - not to be used for steam statement .....	pages 122-125
King™ cable safety cables .....	page 138
Safety shut-off valves, OSHA REG. 1926.302 .....	page 142
30 PSI safety blow guns .....	page 161
Safety vented ball valves .....	page 680
Safety tags and safety tape .....	page 794
The importance of whip hose statement .....	pages 135, 809

Dixon™ is a proud member of The Association for Hose and Accessories Distribution (NAHAD). We support the NAHAD Hose Assembly Guidelines Program given the use of genuine Dixon™ couplings and clamps.



## Pressure Recommendations

The images shown on these two pages are provided to assist in coupling and clamp or ferrule identification for the pressure recommendation chart on pages 813-816.

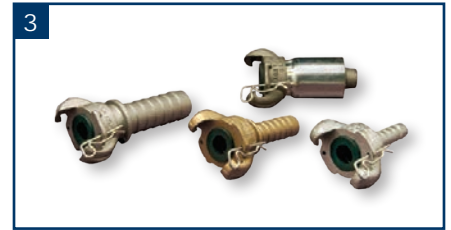
### Couplings



Dixon™ Cam & Groove



Boss™ Couplings



Air King™ Universal



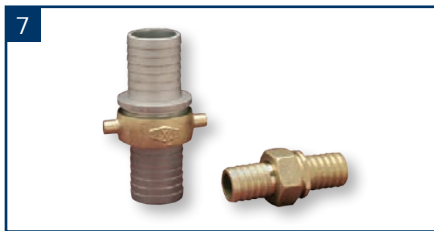
King™ Machined Medium Shank



King™ Machined Long Shank



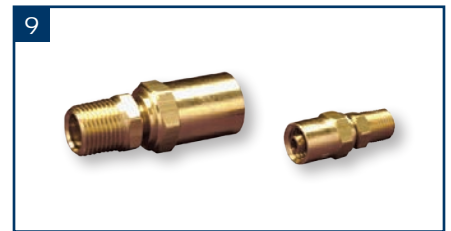
Machined Short Shank



Cast Short Shank



Push-On



Reusable Brass



Holedall™ Swage / Crimp



Holedall™ Internal Expansion



Flow Chief / Sanitary



Holedall™ Internal Expansion Petroleum



King Crimp™ Couplings

## Pressure Recommendations

### **⚠ WARNING**

1. The chart on pages 813-816 is intended as a guide only. It only applies to metal couplings as shown for ambient temperature (70°F) applications with true ID hose. It assumes new Dixon™ supplied couplings, new Dixon™ supplied clamps, new quality hose and proper installation by a qualified assembler using Dixon™ procedures and equipment. Temperature can affect the coupling retention. For questions relating to temperatures other than ambient (70°F) contact the hose manufacturer or Dixon™ at 1-800-355-1991.
2. This chart does not apply to non-Dixon™ products, with used hose, in non-approved or unsupported applications or in non-standard assemblies.
3. Do not use this chart if it conflicts with the hose manufacturer's recommendations.
4. All hose assemblies should be pressure tested to hose manufacturers or Rubber Manufacturers Association (RMA) specifications prior to being put into service.
5. Our test experience indicates that coupling retention can vary with changes in hose design. For pressure ratings other than those listed and shown, or if questions arise, please call Dixon™ at 800.355.1991 for assistance.
6. All hose assembly components must be compatible with the materials and environments with which they are to come in contact.
7. Dixon™ recommends that all hose assemblies be marked with the assembly working pressure and media of the intended application. Under no circumstances should the assembly working pressure exceed the working pressure of the lowest rated component (coupling, clamp, ferrule or hose).
8. For further safety information refer to pages 9, 807-810.

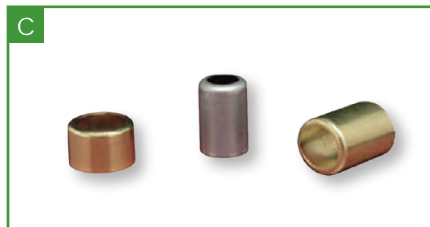
## Clamps and Ferrules



Boss™ Interlocking Clamps



Air King™ Interlocking Clamps



Light Duty Ferrules



Band & Buckle



Preformed Clamps



Double Bolt Clamps



Swage / Crimp



Internal Expansion



Internal Expansion Petroleum



King Crimp™ Sleeve



King Crimp™ Ferrule

# Pressure Recommendations

**Mark hose assembly with pressure from this chart or hose working pressure, whichever is lower.**  
 All pressure recommendations are in pounds per square inch (PSI).

- This chart is intended as a guide only. It only applies to metal couplings as shown for ambient temperature (70°F) applications with true ID hose. It assumes new Dixon™ supplied couplings, new Dixon™ supplied clamps, new quality hose and proper installation by a qualified assembler using Dixon™ procedures and equipment.  
 Temperature can affect the coupling retention. For questions relating to temperatures other than ambient (70°F) contact the hose manufacturer or Dixon™ at 800.355.1991.
- This chart does not apply to non-Dixon™ products, with used hose, in non-approved or unsupported applications or in non-standard assemblies.

*Instructions continue at the top of the next page.*

Hose (rubber covered)	DPL sect.	Group ID - Couplings	Couplings	Group ID - Clamps & Ferrules	Clamps & Ferrules	Assembly Procedure	1/4"	3/8"	1/2"	5/8"	3/4"	
Air textile reinforced rubber lined	E	3	Air King™ Universal	E	Preformed Band Clamp	2102			150	150	150	
	E	3	Air King™ Universal	G	Swage/Crimp	2306			150		150	
	E	3	Air King™ Universal	C	Light Duty Ferrules	2307			150		150	
	F	6	Machined - Short Shank	C	Light Duty Ferrules	2304	200	150	150	100	100	
	F	6	Machined - Short Shank	E	Preformed Band Clamp	2100-2101			150	100	100	
	G	9	Reusable - Brass	N/A	n/a	2305	250	250	250			
	F	4	King™ Machined - Medium Shank	E	Preformed Band Clamp	2100-2101			250	200	200	
	F	5	King™ Machined - Long Shank	E	Preformed Band Clamp	2100-2101			300	300	300	
	F	14	King™ Crimp ST - Ferrule	K	King Crimp™ Ferrule	4201						
Air textile or wire reinforced rubber lined	E	3	Air King™ Universal	B,A	Air King™ or Boss™ Interlocking Clamp	2000		150	150		150	
	E	3	Air King™ Universal	G	Swage/Crimp	2306			150		150	
	E	3	Air King™ Universal	C	Light Duty Ferrules	2307			150		150	
	D	2	Boss™ Couplings	A	Boss™ Interlocking Clamp	2000-2004	600	600	600	600	600	
	K	10	Holedall™ Swage/Crimp	G	Swage/Crimp	see Ram Manual	600	600	600	600	600	
Asphalt & Hot Tar	F	4	King™ Machined - Medium Shank	E	Preformed Band Clamp	2100-2101			125		125	
	F	4	King™ Machined - Medium Shank	D	Band & Buckle	2104						
	F	5	King™ Machined - Long Shank	E	Preformed Band Clamp	2100-2101			150		150	
	F	5	King™ Machined - Long Shank	D	Band & Buckle	2104						
	A	1	Boss-Lock™ Cam & Groove	E	Preformed Band Clamp	2100-2101			150		150	
	A	1	Boss-Lock™ Cam & Groove	D	Band & Buckle	2104						
	A	1	Boss-Lock™ Cam & Groove	G	Swage/Crimp	see Ram Manual					250	
	K	10	Holedall™ Swage/Crimp	G	Swage/Crimp	see Ram Manual			600		600	
	F	14	King Crimp™ ST - Ferrule	K	King Crimp™ Ferrule	4201						
	F	14	King Crimp™ ST - Sleeve	J	King Crimp™ Sleeve	4200						
	A	14	King Crimp™ Cam & Groove - Ferrule	K	King Crimp™ Ferrule	4201						
	A	14	King Crimp™ Cam & Groove - Sleeve	J	King Crimp™ Sleeve	4200						
	Chemical plastic lined for liquid service	F	4	King™ Machined - Medium Shank	E	Preformed Band Clamp	2100-2101			125		125
		F	4	King™ Machined - Medium Shank	D	Band & Buckle	2104					
F		5	King™ Machined - Long Shank	E	Preformed Band Clamp	2100-2101			150		150	
F		5	King™ Machined - Long Shank	D	Band & Buckle	2104						
A		1	Boss-Lock™ Cam & Groove	E	Preformed Band Clamp	2100-2101			150		150	
A		1	Boss-Lock™ Cam & Groove	D	Band & Buckle	2104						
A		1	Boss-Lock™ Cam & Groove	G	Swage/Crimp	see Ram Manual					250	
D		2	Boss™ Couplings	A	Boss™ Interlocking Clamp	2000-2004			600		600	
K		11	Holedall™ Internal Expansion	H	Internal Expansion	see Ram Manual						
F		14	King Crimp™ ST - Ferrule	K	King Crimp™ Ferrule	4201						
F		14	King Crimp™ ST - Sleeve	J	King Crimp™ Sleeve	4200						
A		14	King Crimp™ Cam & Groove - Ferrule	K	King Crimp™ Ferrule	4201						
A		14	King Crimp™ Cam & Groove - Sleeve	J	King Crimp™ Sleeve	4200						
Chemical rubber lined for liquid service		K	10	Holedall™ Swage/Crimp	G	Swage/Crimp	see Ram Manual			600		600
	Food Grade conforming to 3A	K	12	Flow Chief Sanitary	H	Internal Expansion	see Ram Manual					
		F	4	King™ Machined - Medium Shank	E	Preformed Band Clamp	2100-2101			125		125
		F	4	King™ Machined - Medium Shank	D	Band & Buckle	2104					
		A	1	Boss-Lock™ Cam & Groove	E	Preformed Band Clamp	2100-2101			150		150
		A	1	Boss-Lock™ Cam & Groove	D	Band & Buckle	2104					
		A	1	Boss-Lock™ Cam & Groove	G	Swage/Crimp	see Ram Manual					250
		K	11	Holedall™ Internal Expansion	H	Internal Expansion	see Ram Manual					
		K	10	Holedall™ Swage/Crimp	G	Swage/Crimp	see Ram Manual			600		600
		F	14	King Crimp™ ST - Ferrule	K	King Crimp™ Ferrule	4201					
		F	14	King Crimp™ ST - Sleeve	J	King Crimp™ Sleeve	4200					
		A	14	King Crimp™ Cam & Groove - Ferrule	K	King Crimp™ Ferrule	4201					
		A	14	King Crimp™ Cam & Groove - Sleeve	J	King Crimp™ Sleeve	4200					
		Food Grade rubber lined	F	4	King™ Machined - Medium Shank	E	Preformed Band Clamp	2100-2101			125	
F			4	King™ Machined - Medium Shank	D	Band & Buckle	2104					
A	1		Boss-Lock™ Cam & Groove	E	Preformed Band Clamp	2100-2101			150		150	
A	1		Boss-Lock™ Cam & Groove	D	Band & Buckle	2104						
A	1		Boss-Lock™ Cam & Groove	G	Swage/Crimp	see Ram Manual					250	
K	11		Holedall™ Internal Expansion	H	Internal Expansion	see Ram Manual						
K	10		Holedall™ Swage/Crimp	G	Swage/Crimp	see Ram Manual			600		600	
F	14		King Crimp™ ST - Ferrule	K	King Crimp™ Ferrule	4201						
F	14		King Crimp™ ST - Sleeve	J	King Crimp™ Sleeve	4200						
A	14		King Crimp™ Cam & Groove - Ferrule	K	King Crimp™ Ferrule	4201						
A	14		King Crimp™ Cam & Groove - Sleeve	J	King Crimp™ Sleeve	4200						

3. Do not use this chart if it conflicts with the hose manufacturer's recommendations.
4. All hose assemblies should be pressure tested to hose manufacturers or Rubber Manufacturers Association (R.M.A.) specifications prior to being put into service.
5. Our test experience indicates that coupling retention can vary with changes in hose design. For pressure ratings other than those listed and shown, or if questions arise, please call Dixon™ at 800.355.1991 for assistance.
6. All hose assembly components must be compatible with the materials and environments with which they are to come in contact.
7. Dixon™ recommends that all hose assemblies be marked with the assembly working pressure and media of the intended application. Under no circumstances should the assembly working pressure exceed the working pressure of the lowest rated component (coupling, clamp, ferrule or hose).
8. For further safety information refer to pages 9, 807-810.

Procedures can be found at [Dixon™.valve.com](http://Dixon™.valve.com) or requested by calling 800.355.1991.

Hose (rubber covered)	1"	1¼"	1½"	2"	2½"	3"	4"	5"	6"	Notes	
Air textile reinforced rubber lined	150									(2) bands on 5/8" or larger; Must use mating Dixon™ Air King™ fittings with safety clip installed.	
	150									Coupling and ferrule are sold assembled. Must use mating Dixon™ Air King™ fittings with safety clip installed.	
	150									(14) Coupling and ferrule are sold separately. Must use mating Dixon™ Air King™ fittings with safety clip installed.	
	100										
	100										
											(2) bands on ½" to 1"
		150									
Air textile or wire reinforced rubber lined	300										
	400		350	300		300	300		230	(13) crimp length would be full length	
	150									Must use mating Dixon™ Air King™ fittings with safety clip installed.	
	150									Coupling and ferrule are sold assembled. Must use mating Dixon™ Air King™ fittings with safety clip installed.	
	150									(14) Coupling and ferrule are sold separately. Must use mating Dixon™ Air King™ fittings with safety clip installed.	
	600	600	600	600	450	450	250		250		
	600	600	600	600	600	600	500	450	400		
Asphalt & Hot Tar	400		350	300		300	300		230	(13) crimp length would be full length	
	200	200	200	200	200	200	200			Consult Dixon™	
	125	125	125	75	75	50	50			(3) bands on 3" & 4"; (2) bands on 1½" to 2½"; (1) band on the rest	
		125	125	75	75	50	50			(3) bands on 3" & 4"; (2) bands on 1½" to 2½"; (1) band on the rest	
	150	150	150	125	100	75	75			(5) bands on 3" & 4"; (4) bands on 2" & 2½"; (3) bands on 1¼" & 1½"; (2) bands on the rest	
		150	150	125	100	75	75			(5) bands on 3" & 4"; (4) bands on 2" & 2½"; (3) bands on the rest	
		250	250	250	250	150	125	100			
Chemical plastic lined for liquid service		250	250	250	150	125	100			Requires properly matched stem and ferrule.	
	600	600	600	600	600	600	500				
	400		350	300		300	300		230	(13) crimp length would be full length	
	400		300	250		200	175		75	(13) crimp length would be full length	
	250		250	250		150	150		75	(13) crimp length would be full length	
	250		250	250		125	110		75	(13) crimp length would be full length	
	125	125	125	75	75	50	50			(3) bands on 3" & 4"; (2) bands on 1½" to 2½"; (1) band on the rest	
		125	125	75	75	50	50			(3) bands on 3" & 4"; (2) bands on 1½" to 2½"; (1) band on the rest	
	150	150	150	125	100	75	75			(5) bands on 3" & 4"; (4) bands on 2" & 2½"; (3) bands on 1¼" & 1½"; (2) bands on the rest	
		150	150	125	100	75	75			(5) bands on 3" & 4"; (4) bands on 2" & 2½"; (3) bands on the rest	
	250	250	250	250	150	125	100				
		250	250	250	150	125	100				
	250		250	250		125	100			Requires properly matched stem and ferrule.	
Chemical rubber lined for liquid service	600	600	600	600	450	450	250				
	800	800	800	800	600	600	500			Consult factory for ratings on IXF48-3 to IXF48-5 & IXF64-2 to IXF64-5 ferrules. Internal Expansion is NOT recommended for XLPE, UHMWPE & Gum Rubber lined hoses.	
	400		350	300		300	300		230	(13) crimp length would be full length	
	400		300	250		200	175		75	(13) crimp length would be full length	
	250		250	250		150	150		75	(13) crimp length would be full length	
	250		250	250		125	110		75	(13) crimp length would be full length	
	600	600	600	600	600	600	500				
	Food Grade conforming to 3A										Use Stainless Steel Food Grade Ferrule ONLY.
	125	125	125	75	75	50	50	25	25		(4) bands on 6"; (3) bands on 3" to 5"; (2) bands on 1½" to 2½"; (1) band on the rest
		125	125	75	75	50	50	25	25		(4) bands on 6"; (3) bands on 3" to 5"; (2) bands on 1½" to 2½"; (1) band on the rest
	250	250	250	250	150	125	100	75	75		(3) bands on 6"; (2) bands on the rest
		250	250	205	150	125	100	75	75		(3) bands on 6"; (2) bands on the rest
	250		250	250		125	100				Requires properly matched stem and ferrule.
250		250	250	250	250	200					
600	600	600	600	600	600	500	450	400			
400		350	300		300	300		230		(13) crimp length would be full length	
400		300	250		200	175		75		(13) crimp length would be full length	
250		250	250		150	150		75		(13) crimp length would be full length	
250		250	250		125	110		75		(13) crimp length would be full length	

## Safety Information

Hose (rubber covered)	DPL sect.	Group ID - Couplings	Couplings	Group ID - Clamps & Ferrules	Clamps & Ferrules	Assembly Procedure	1/4"	3/8"	1/2"	5/8"	3/4"
Material Handling <i>rubber lined</i>	F	7	Cast Short Shank	E	Preformed Band Clamp	2100-2101					
	F	7	Cast Short Shank	D	Band & Buckle	2104					
	F	4	King™ Machined - Medium Shank	E	Preformed Band Clamp	2100-2101					
	F	4	King™ Machined - Medium Shank	D	Band & Buckle	2104					
	F	5	King™ Machined - Long Shank	E	Preformed Band Clamp	2100-2101					
	F	5	King™ Machined - Long Shank	D	Band & Buckle	2104					
	A	1	Boss-Lock™ Cam & Groove	E	Preformed Band Clamp	2100-2101					
	A	1	Boss-Lock™ Cam & Groove	D	Band & Buckle	2104					
	A	1	Boss-Lock™ Cam & Groove	G	Swage/Crimp	see Ram Manual					
	K	10	Holedall™ Swage/Crimp	G	Swage/Crimp	see Ram Manual					
	K	11	Holedall™ Internal Expansion	H	Internal Expansion	see Ram Manual					
	F	14	King Crimp™ ST - Ferrule	K	King Crimp™ Ferrule	4201					
	F	14	King Crimp™ ST - Sleeve	J	King Crimp™ Sleeve	4200					
	A	14	King Crimp™ Cam & Groove - Ferrule	K	King Crimp™ Ferrule	4201					
A	14	King Crimp™ Cam & Groove - Sleeve	J	King Crimp™ Sleeve	4200						
Material Handling <i>no helical wire rubber lined</i>	F	7	Cast Short Shank	F	Double Bolt Clamp	2201					
	F	4	King™ Machined - Medium Shank	F	Double Bolt Clamp	2201					
	F	5	King™ Machined - Long Shank	F	Double Bolt Clamp	2201					
	F	14	King™ Crimp ST - Ferrule	K	King Crimp™ Ferrule	4201					
	F	14	King™ Crimp ST - Sleeve	J	King Crimp™ Sleeve	4200					
	A	14	King™ Crimp Cam & Groove - Ferrule	K	King Crimp™ Ferrule	4201					
	A	14	King™ Crimp Cam & Groove - Sleeve	J	King Crimp™ Sleeve	4200					
Material Handling <i>cement rubber lined</i>	D	2	Boss™ Couplings	A	Boss™ Interlocking Clamp	2000-2004					
	K	10	Holedall™ Swage/Crimp	G	Swage/Crimp	see Ram Manual					
	K	11	Holedall™ Internal Expansion	H	Internal Expansion	see Ram Manual					
Petroleum Transfer	F	4	King™ Machined - Medium Shank	E	Preformed Band Clamp	2100-2101			125		125
	F	4	King Machined - Medium Shank	D	Band & Buckle	2104					
	F	5	King Machined - Long Shank	E	Preformed Band Clamp	2100-2101			150		150
	F	5	King™ Machined - Long Shank	D	Band & Buckle	2104					
	A	1	Boss-Lock™ Cam & Groove	E	Preformed Band Clamp	2100-2101			150		250
	A	1	Boss-Lock™ Cam & Groove	D	Band & Buckle	2104					
	A	1	Boss-Lock™ Cam & Groove	G	Swage/Crimp	see Ram Manual					250
	K	11	Holedall™ Internal Expansion	H	Internal Expansion	see Ram Manual					
	K	10	Holedall™ Swage/Crimp	G	Swage/Crimp	see Ram Manual			600		600
	F	14	King Crimp™ ST - Ferrule	K	King Crimp™ Ferrule	4201					
	F	14	King Crimp™ ST - Sleeve	J	King Crimp™ Sleeve	4200					
A	14	King Crimp™ Cam & Groove - Ferrule	K	King Crimp™ Ferrule	4201						
A	14	King Crimp™ Cam & Groove - Sleeve	J	King Crimp™ Sleeve	4200						
Air Craft Refueling conforming to API 1529	K	13	Holedall™ Petroleum Internal Expansion	I	Internal Expansion (Petroleum)	see Ram Manual					
Push-On	G	8	Push-On	N/A	n/a	2001-2002	350	350	350	350	350
Steam	D	2	Boss™ Couplings	A	Boss™ Interlocking Clamp	2000-2004			250		250
	E	3	Air King™ Universal	E	Preformed Band Clamp	2100-2101			150	150	150
Water	E	3	Air King™ Universal	B,A	Air King™ or Boss™ Interlocking Clamp	2000-2001		150	150		150
	E	3	Air King™ Universal	C	Light Duty Ferrules	2307			150		150
	F	6	Machined - Short Shank	E	Preformed Band Clamp	2100-2101			150	100	100
	F	6	Machined - Short Shank	C	Light Duty Ferrules	2304	200	150	150	100	100
	F	7	Cast Short Shank	E	Preformed Band Clamp	2100-2101			150	100	100
	F	7	Cast Short Shank	D	Band & Buckle	2104					
	F	4	King™ Machined - Medium Shank	E	Preformed Band Clamp	2100-2101			250	200	200
	F	5	King™ Machined - Long Shank	E	Preformed Band Clamp	2100-2101			300	300	300
	A	1	Boss-Lock™ Cam & Groove	E	Preformed Band Clamp	2100-2101			150		250
	A	1	Boss-Lock™ Cam & Groove	D	Band & Buckle	2104					
	A	1	Boss-Lock™ Cam & Groove	G	Swage/Crimp	see Ram Manual					250
	D	2	Boss™ Couplings	A	Boss™ Interlocking Clamp	2000-2002	600	600	600		600
	K	10	Holedall™ Swage/Crimp	G	Swage/Crimp	see Ram Manual	600	600	600		600
	F	14	King Crimp™ ST - Ferrule	K	King Crimp™ Ferrule	4201					
	F	14	King Crimp™ ST - Sleeve	J	King Crimp™ Sleeve	4200					
	A	14	King Crimp™ Cam & Groove - Ferrule	K	King Crimp™ Ferrule	4201					
A	14	King Crimp™ Cam & Groove - Sleeve	J	King Crimp™ Sleeve	4200						
Water <i>no helical wire</i>	F	7	Cast Short Shank	F	Double Bolt Clamp	2201					
	F	4	King™ Machined - Medium Shank	F	Double Bolt Clamp	2201					
	F	5	King™ Machined - Long Shank	F	Double Bolt Clamp	2201					
	F	14	King™ Crimp ST - Ferrule	K	King Crimp™ Ferrule	4201					
	F	14	King™ Crimp ST - Sleeve	J	King Crimp™ Sleeve	4200					
	A	14	King™ Crimp Cam & Groove - Ferrule	K	King Crimp™ Ferrule	4201					
	A	14	King™ Crimp Cam & Groove - Sleeve	J	King Crimp™ Sleeve	4200					



## Safety Information

Hose (rubber covered)	1"	1¼"	1½"	2"	2½"	3"	4"	5"	6"	Notes	
Material Handling <i>rubber lined</i>			75	75	50	50	50	25	25	(4) bands on 6"; (3) bands on 3" to 5"; (2) bands on 1½" to 2½"	
			75	75	50	50	50	25	25	(4) bands on 6"; (3) bands on 3" to 5"; (2) bands on 1½" to 2½"	
			125	75	75	50	50	25	25	(4) bands on 6"; (3) bands on 3" to 5"; (2) bands on 1½" to 2½"	
			125	75	75	50	50	25	25	(4) bands on 6"; (3) bands on 3" to 5"; (2) bands on 1½" to 2½"	
			150	125	100	75	75			(5) bands on 3" & 4"; (4) bands on 2" & 2½"; (3) bands on the rest	
			150	125	100	75	75			(5) bands on 3" & 4"; (4) bands on 2" & 2½"; (3) bands on the rest	
			250	250	150	125	100	75	75	(3) bands on 6"; (2) bands on the rest	
			250	250	150	125	100	75	75	(3) bands on 6"; (2) bands on the rest	
			250	250		125	100			Requires properly matched stem and ferrule.	
			600	600	600	600	500	450	400		
			800	800	600	600	500		400	Consult factory for ratings on IXF48-3 to IXF48-5 & IXF64-2 to IXF64-5 ferrules. Internal Expansion is NOT recommended for XLPE, UHMWPE & Gum Rubber lined hoses.	
		400	350	300		300	300		230	(13) crimp length would be full length	
	Material Handling <i>no helical wire rubber lined</i>			400	300	250		200	175	75	(13) crimp length would be full length
			250	250	250		150	150	75	(13) crimp length would be full length	
			250	250	250		125	110	75	(13) crimp length would be full length	
			75	75	50	50	50	25	25	(3) double bolt clamps on 5" & 6"; (2) double bolt clamps on 3" to 4"; (1) double bolt clamp on the rest	
			125	75	75	50	50	25	25	(3) double bolt clamps on 5" & 6"; (2) double bolt clamps on 3" to 4"; (1) double bolt clamp on the rest	
			150	125	100	75	75			(3) double bolt clamps on all sizes	
		400	350	300		300	300		230	(13) crimp length would be full length	
		400	300	250		200	175		75	(13) crimp length would be full length	
		250	250	250		150	150		75	(13) crimp length would be full length	
		250	250	250		125	110		75	(13) crimp length would be full length	
Material Handling <i>cement rubber lined</i>		600	600	600	600	450	450	250		250	Cement will erode ID
		600	600	600	600	600	600	500	450	400	Cement will erode ID
		800	800	800	800	600	600	500		400	Cement will erode ID Consult Dixon™ for ratings on IXF48-3 to IXF48-5 & IXF64-2 to IXF64-5 ferrules.
Petroleum Transfer	125	125	125	75	75	50	50	25	25	(4) bands on 6"; (3) bands on 3" to 5"; (2) bands on 1½" to 2½"; (1) band on the rest	
		125	125	75	75	50	50	25	25	(4) bands on 6"; (3) bands on 3" to 5"; (2) bands on 1½" to 2½"; (1) band on the rest	
	150	150	150	125	100	75	75			(5) bands on 3" & 4"; (4) bands on 2" & 2½"; (3) bands on 1¼" & 1½"; (2) bands on the rest	
		150	150	125	100	75	75			(5) bands on 3" & 4"; (4) bands on 2" & 2½"; (3) bands on the rest	
	250	250	250	250	150	125	100	75	75	(3) bands on 6"; (2) bands on the rest	
		250	250	250	150	125	100	75	75	(3) bands on 6"; (2) bands on the rest	
	250		250	250		125	100			Requires properly matched stem and ferrule.	
	800	800	800	800	600	600	500		400	Consult factory for ratings on IXF48-3 to IXF48-5 & IXF64-2 to IXF64-5 ferrules.	
	600	600	600	600	600	600	500	450	400		
	400		350	300		300	300		230	(13) crimp length would be full length	
	400		300	250		200	175		75	(13) crimp length would be full length	
	250		250	250		150	150		75	(13) crimp length would be full length	
	250		250	250		125	110		75	(13) crimp length would be full length	
Air Craft Refueling conforming to API 1529	300	300	300	300	300	300					
Push-On										Push-On fittings should ONLY be used on Push-On hose.	
Steam	250	250	250	250	250	250			250		
Water	150									(2) bands on ¾" or larger; Must use mating Dixon™ Air King™ fittings with safety clip installed. Band & Buckle is NOT recommended for 1½" and smaller.	
	150									Must use mating Dixon™ Air King™ fittings with safety clip installed. Band & Buckle is NOT recommended for 1½" and smaller.	
	150									(14) Coupling and ferrule are sold separately. Must use mating Dixon™ Air King™ fittings with safety clip installed.	
	100									(1) band; Band & Buckle is NOT recommended for 1½" and smaller.	
	100										
	100	75	75	75	50	50	50	25	25	(4) bands on 6"; (3) bands on 3" to 5"; (2) bands on 1½" to 2½"; (1) band on the rest	
		75	75	75	50	50	50	25	25	(4) bands on 6"; (3) bands on 3" to 5"; (2) bands on 1½" to 2½"; (1) band on the rest	
	150	150	125	75	75	50	50	25	25	(4) bands on 6"; (3) bands on 3" to 5"; (2) bands on 1½" to 2½"; (1) band on the rest	
	300	300	150	125	100	75	75			(5) bands on 3" & 4"; (4) bands on 2" & 2½"; (3) bands on 1¼" & 1½"; (2) bands on the rest	
	250	250	250	250	150	125	100	75	75	(3) bands on 6"; (2) bands on the rest	
		250	250	250	150	125	100	75	75	(3) bands on 6"; (2) bands on the rest	
	250		250	250		125	100			Requires properly matched stem and ferrule.	
	600	600	600	600	450	450	250		250		
600	600	600	600	600	600	500	450	400			
400		350	300		300	300		230	(13) crimp length would be full length		
400		300	250		200	175		75	(13) crimp length would be full length		
250		250	250		150	150		75	(13) crimp length would be full length		
250		250	250		125	110		75	(13) crimp length would be full length		
Water <i>no helical wire</i>			75	75	50	50	50	25	25	(3) double bolt clamps on 5" & 6"; (2) double bolt clamps on 3" to 4"; (1) double bolt clamp on the rest	
			125	75	75	50	50	25	25	(3) double bolt clamps on 5" & 6"; (2) double bolt clamps on 3" to 4"; (1) double bolt clamp on the rest	
			150	125	100	75	75			(3) double bolt clamps on all sizes	
	400		350	300		300	300		230	(13) crimp length would be full length	
	400		300	250		200	175		75	(13) crimp length would be full length	
	250		250	250		150	150		75	(13) crimp length would be full length	
	250		250	250		125	110		75	(13) crimp length would be full length	



## Dixon™'s Solutions on Site Van



Dixon™'s Solutions on Site (SOS) van is outfitted with product samples, videos, literature and a package of products that Dixon™ can provide to specific markets. Call 800.355.1991 for additional information.

### S.T.A.M.P.E.D.

## Questions to Ask

- S** Size
- T** Temperature
- A** Application
- M** Media
- P** Pressure
- E** Ends
- D** Dixon™



## Selecting Materials

This information is intended to help make general comparisons between different available materials.

Material	Features and Benefits
Stainless Steel	A corrosion-resistant material that provides high strength at high temperatures, helps prevent contamination of product being transported, maintains cleanliness, and retains a lustrous appearance. Harder than brass. <i>Type 304</i> is a low-carbon chromium-nickel stainless steel. <i>Type 316</i> is similar to type 304, but has a high nickel content as well as a molybdenum for stronger resistance to heat and corrosion. Often used for water, oil, gas, and steam in low- to high-pressure applications.
Brass	Has good corrosion resistance and is less expensive than stainless steel. Is softer and easier to thread than stainless steel and forms tight seals. It can be used interchangeably with copper where heavier walls are required. Found in plumbing and heating application. Also good with oil, natural gas, and air. Resists corrosion from salt water as well as fresh water polluted with waste from mineral acids and peaty soils. Use in low- to high-pressure applications.
Steel	Used in noncorrosive environments. This carbon- and iron-based metal is hard and strong. It is an economical alternative to stainless steel and brass in high-pressure applications. For use with water, oil, gas, and steam in low- to high-pressure applications where corrosion is not a problem.

Product application is based not only on material selection but on design of product for intended use. Please contact Dixon™ for selection of the proper fitting for your application.



## Trademarks

Delrin® and Zytel® are registered trademarks of E.I. duPont Nemours and Company.

Kalrez® are registered trademarks of DuPont Dow Elastomers.

All other trademarks appearing in Dixon™'s Illustrated Price List are the property of their respective owners.

## Corrosion Resistance of Coupling Material

### **⚠ WARNING**

The data on the following pages has been compiled from generally available sources and should not be relied upon without consulting and following the specific recommendations of the manufacturer regarding particular coupling materials.

### Ratings

Metal
1 = Excellent
2 = Good
3 = Fair
X = Not Recommended
- = Contact Dixon™

Non-Metal
A = Acceptable
X = Not Recommended
- = Contact Dixon™

Gasket/Seal Material
T = PTFE
V = FKM
E = EPDM, EPR
N = Neoprene
B = Buna N

- Ratings given are based at 70°F. Chemical compatibility varies greatly with temperature. For applications at temperatures other than 70°F, contact Dixon™ for recommendations at 800.355.1991.
- Gasket / seal materials are not necessarily listed in order of preference.
- Chemical resistance of a material does not necessarily indicate the suitability of a fitting in a given application due to variables such as improper clamp and coupling application, special hose construction, gasket material, etc.



Special caution should be taken when handling hazardous materials.

Technical Information

AGENT	Aluminum	Brass	Bronze	Hastelloy, C-276	Malleable Iron Carbon Steel	Monel	Stainless Steel, 304	Stainless Steel, 316	Nylon	Polypropylene	Seal Material
Acetate Solvents (Crude)	1	X	X	1	2	2	1	1	A	X	T
Acetate Solvents (Pure)	1	1	1	1	X	1	1	1	A	X	T
Acetic Acid (80%)	3	X	X	1	X	1	1	1	X	X	TEVNB
Acetic Acid (50%)	2	X	X	1	X	2	2	1	X	X	TEVNB
Acetic Acid (20%)	2	X	X	1	X	2	2	1	X	X	TEVNB
Acetic Acid (10%)	2	X	2	1	X	2	1	1	X	X	TEVNB
Acetic Anhydride	2	X	2	1	2	2	2	2	X	X	TNB
Acetone	1	2	2	1	2	1	1	1	A	X	TE
Acetylene	1	X	X	2	2	2	1	1	X	X	TEVNB
<b>Alcohols</b>											
Amyl Alcohol	2	2	2	2	2	1	2	2	A	A	TEVNB
Benzyl Alcohol	2	2	2	2	2	1	1	1	X	A	TVB
Butyl Alcohol	1	2	1	2	2	1	1	1	A	A	TEVN
Diacetone Alcohol	1	1	2	1	2	1	2	2	X	A	TE
Ethyl Alcohol	1	2	2	1	2	2	2	2	X	A	TEVNB
Hexyl Alcohol	-	-	-	1	-	-	-	-	A	-	-
Isobutyl Alcohol	-	-	-	-	-	-	-	-	A	-	-
Isopropyl Alcohol	2	2	2	2	2	2	2	2	A	A	TEVNB
Methyl Alcohol (Methanol)	2	2	2	1	2	2	2	2	A	A	TENB
Octyl Alcohol	-	-	-	-	-	-	-	-	A	-	-
Propyl Alcohol	2	2	2	1	2	2	1	1	X	A	TEVNB
<b>Aluminum</b>											
Aluminum Chloride (Aqu.)	X	X	X	1	X	X	X	X	A	A	TEVNB
Aluminum Fluoride (Sat.)	2	-	-	-	X	2	X	2	X	A	TEVNB
Aluminum Nitrate (Sat.)	3	X	-	-	X	-	2	2	A	A	TEVNB
Aluminum Potassium Sulfate (Alum)	2	2	2	2	X	2	X	2	X	A	TEVNB
Aluminum Sulfate (Sat.)	X	X	2	2	X	2	-	2	A	A	TEVNB
<b>Ammonia</b>											
Ammonia Anhydrous	1	X	X	2	1	1	2	1	A	X	TENB
Ammonia Gas	X	X	X	1	1	X	1	1	A	X	TENB
Ammonia Nitrate	-	-	-	-	-	-	-	-	X	-	-
<b>Ammonium</b>											
Ammonium Bifluoride	-	X	-	2	X	2	-	-	X	A	TEVB
Ammonium Carbonate (Sat.)	2	X	X	2	2	2	2	2	A	A	TEVNB
Ammonium Casenate	-	-	-	-	-	-	-	-	A	-	-
Ammonium Chloride (Sat.)	X	X	2	2	X	2	X	X	A	A	TEVNB
Ammonium Hydroxide (Sat.)	2	X	X	2	1	X	2	2	A	A	TEVNB
Ammonium Nitrate	2	X	X	-	X	X	-	-	A	A	TENB
Ammonium Phosphate (10-40%)	X	X	X	-	X	2	1	2	A	A	TEVNB
Ammonium Sulfate (10-40%)	X	X	3	2	X	2	X	2	A	A	TEVNB
Aniline	-	X	2	2	X	2	1	1	X	X	TV
Arsenic Acid	X	X	2	2	X	X	2	2	X	A	TEVNB
Asphalt	-	-	-	-	2	-	-	2	X	X	TV
<b>Barium</b>											
Barium Carbonate (Sat.)	X	2	2	2	2	2	2	2	A	A	TEVNB
Barium Chloride (Sat.)	-	2	2	1	-	2	X	-	A	A	TEVNB
Barium Hydroxide (Sat.)	X	2	X	2	2	1	2	2	A	A	TEVNB
Barium Sulfate	2	2	2	-	X	2	2	2	A	A	TEVNB
Barium Sulfide	X	X	X	-	2	X	2	2	A	A	TEVNB
Beer	1	2	2	1	2	1	1	1	A	A	TEVNB
Benzaldehyde	2	2	2	2	X	2	2	2	X	X	TE
Benzene, Benzol	1	2	2	2	2	2	2	2	A	X	TV
Benzine	-	-	-	-	-	-	-	-	A	X	-
Benzoic Acid	2	2	2	-	X	2	2	2	X	X	TVN
Black Liquor	X	X	X	X	-	2	2	2	X	A	TEVNB
Bleach (12.5% Active Chlorine)	X	-	-	1	X	-	-	X	X	A	TEVN
Borax	X	2	2	1	2	1	1	1	X	A	TEVNB
Boric Acid	1	X	2	1	X	2	-	-	X	A	TEVNB
Brine Acid	-	2	2	1	-	-	-	-	X	A	TEVNB
Bromic acid	X	X	X	-	-	X	-	-	X	A	TEVN
Bromine Liquid	2	-	-	-	-	-	X	X	X	X	TV
Butadiene, Butylene	2	2	2	2	2	1	2	2	X	X	TVNB
Butane	2	2	2	2	1	1	2	2	X	X	TV
Butyl Acetate	1	2	2	2	2	2	2	2	A	X	T
Butyric Acid	2	2	X	1	X	2	2	2	A	A	TV

Ratings given are based at 70°F.

Technical Information

AGENT	Aluminum	Brass	Bronze	Hastelloy, C-276	Malleable Iron Carbon Steel	Monel	Stainless Steel,304	Stainless Steel,316	Nylon	Polypropylene	Seal Material
<b>Calcium</b>											
Calcium Bisulfate	X	-	X	-	X	X	X	2	X	A	T
Calcium Bisulfide	-	-	-	-	-	2	-	2	A	A	TVB
Calcium Bisulfite	X	X	2	2	X	X	-	2	X	A	TVNB
Calcium Bromide	X	2	2	-	X	2	1	X	X	X	T
Calcium Carbonate	X	2	2	2	2	2	1	2	A	A	TEVB
Calcium Chloride (Sat.)	-	2	-	1	2	2	-	-	A	A	TEVNB
Calcium Hydroxide (Sat.)	X	2	X	-	2	2	2	2	A	A	TEVNB
Calcium Hypochlorite (Sat.)	X	X	X	-	X	X	X	2	X	A	TEV
<b>Carbon</b>											
Carbon Bisulfide	1	X	2	2	2	X	2	2	A	X	TV
Carbon Dioxide (Dry)	1	1	2	1	2	1	2	2	A	A	TENB
Carbon Dioxide (Wet)	1	X	-	2	3	-	2	2	X	A	TENB
Carbon Disulfide	1	X	2	2	2	X	2	2	A	X	TV
Carbon Monoxide	1	1	1	1	2	1	1	1	A	A	TEVNB
Carbon Tetrachloride	X	-	1	1	2	1	1	-	A	X	TV
Carbonic Acid	1	2	2	1	2	3	2	2	X	A	TEVNB
Castor Oil	2	2	2	1	2	1	2	2	X	A	TEVNB
Caustic Potash	X	-	-	1	X	-	-	2	A	A	TEVNB
Caustic Soda (see Sodium Hydroxide)											
Cellosolves	2	2	2	2	2	2	2	2	X	A	TE
Chlorine (Liquid)	-	-	-	1	2	2	-	3	X	X	TV
Chloroform	-	-	-	2	X	1	-	-	X	X	TV
Chlorosulfonic Acid	-	X	X	1	2	2	X	X	X	X	T
Clorox (Bleach, 5.5% CL)	X	-	-	-	X	-	-	2	X	-	TEVB
Chromic Acid (50%)	2	X	X	2	X	X	3	-	X	X	TVNB
Citric Acid	3	X	X	1	X	2	-	-	X	A	TEVNB
Coke Oven Gas	2	3	3	-	2	2	2	2	X	X	TEVN
<b>Copper</b>											
Copper Chloride	X	X	X	2	X	X	X	X	A	A	TEVNB
Copper Cyanide	X	X	X	1	-	X	2	2	X	-	TEVNB
Copper Sulfate	X	X	X	1	X	X	-	2	A	A	TEVNB
Cryylic Acid (Conc.)	2	2	X	-	2	3	2	2	X	X	TEV
Cyclohexane	2	2	2	2	2	1	2	2	A	X	TVB
Detergents	2	2	2	1	2	-	1	2	A	A	TEVNB
Dextrose	2	-	-	2	-	2	-	-	A	A	TEVNB
Diesel Fuels	1	1	1	2	2	-	1	1	A	X	TVB
Diethylamine	2	-	X	-	X	1	2	2	X	A	TN
Disodium Phosphate	-	-	-	-	1	-	-	1	A	A	TEV
Ethers	2	2	2	2	2	2	1	1	A	X	TB
<b>Ethyl</b>											
Ethyl Acetate	-	-	2	2	2	2	2	2	A	X	T
Ethyl Chloride	-	-	2	2	2	2	-	1	A	X	TEVB
<b>Ethylene</b>											
Ethylene Chloride	-	-	-	-	2	2	-	-	A	X	TV
Ethylene Dichloride	-	2	X	2	2	1	2	2	A	X	TV
Ethylene Glycol	1	2	2	1	2	2	2	2	A	X	TEVNB
Ethylene Oxide	X	X	X	1	3	2	2	2	X	X	T
Fatty Acids	1	3	3	1	X	2	-	1	A	A	TVNB
<b>Ferric</b>											
Ferric Chloride	X	X	2	2	X	X	X	X	X	A	TEVNB
Ferric Hydroxide	-	-	-	1	-	2	1	1	A	-	TEVNB
Ferric Nitrate (10-50%)	X	X	X	-	X	X	2	2	X	A	TEVNB
Ferric Sulfate	X	X	X	-	X	2	-	-	X	A	TEVNB
<b>Ferrous</b>											
Ferrous Chloride (Sat.)	X	X	2	2	-	X	X	X	X	A	TEVNB
Ferrous Sulfate	2	2	2	2	X	2	2	-	X	A	TEVNB
Fluoboric Acid	X	-	-	1	1	2	-	-	X	A	TEVNB
Formaldehyde (50%)	-	2	2	2	X	2	1	1	X	A	TEN
Formic Acid (Anhyd.)	1	X	2	1	X	2	-	-	X	A	TEVN
<b>Freon</b>											
Freon 11	2	2	2	-	X	1	2	2	X	X	TVNB
Freon 12	2	2	2	1	X	2	2	2	X	X	TVNB
Freon 22	2	2	2	2	X	2	2	2	X	X	TN
Fruit Juices	2	2	3	1	X	1	2	2	A	A	TVNB
Fuel Oil	2	2	2	2	2	2	2	2	A	X	TVNB
Furfural	2	2	2	2	2	2	2	2	A	X	TEN



Technical Information

AGENT	Aluminum	Brass	Bronze	Hastelloy, C-276	Malleable Iron Carbon Steel	Monel	Stainless Steel, 304	Stainless Steel, 316	Nylon	Polypropylene	Seal Material
Gasoline											
Refined Gasoline	2	2	2	2	2	2	2	2	A	X	TVNB
Sour Gasoline	X	2	2	2	2	X	2	2	A	X	TVNB
Gelatin	2	2	2	-	X	2	2	2	A	A	TEVNB
Glucose	2	2	2	-	2	2	2	2	A	A	TEVNB
Glue	2	2	2	1	2	2	-	2	-	A	TEVNB
Glycerine	1	1	2	1	2	1	1	1	A	A	TEVNB
Glycols	2	2	2	-	2	2	2	2	A	A	TEVNB
Green Liquor	-	-	-	-	2	-	-	-	-	A	TEVNB
Heptane	2	2	2	1	2	2	2	2	A	X	TVNB
Hexane	2	2	2	1	2	2	1	1	A	X	TVNB
Hydrobromic Acid (50%)	X	X	X	2	X	X	X	X	X	A	TEV
Hydrobromic Acid (20%)	X	X	X	1	X	X	X	X	X	A	TEV
Hydrochloric Acid (20%)	X	X	X	1	X	3	X	X	X	A	TEVNB
Hydrochloric Acid (38%)	X	X	X	1	X	X	X	X	X	A	TEVNB
Hydrocyanic Acid	2	X	X	2	2	2	2	2	X	A	TEVN
Hydrofluosilicic Acid (10-50%)	X	2	X	2	X	2	X	2	X	-	TEVNB
Hydrogen											
Hydrogen Peroxide (50%)	-	X	X	2	X	2	-	-	X	A	TEV
Hydrogen Sulfide (Aqu.)	-	-	-	2	-	2	X	2	X	A	TE
Hydrogen Chloride (Dry Gas)	X	2	-	1	2	1	-	-	X	A	TEVN
Hydrogen Gas	1	1	1	1	-	1	1	1	X	A	TEVNB
Hypochlorous Acid	X	X	X	2	X	X	X	X	X	X	TEV
Iodine	1	X	X	-	X	1	X	X	X	A	TEV
Isopropyl Ether	-	2	2	-	-	2	1	2	A	X	T
Jet Fuel (JP4, JP5)	2	1	2	1	2	2	2	2	X	X	TV
Kerosene	2	2	2	2	2	2	2	2	X	X	TVNB
Ketones	2	2	2	1	2	2	2	2	A	X	T
Lactic Acid (25%)	3	2	2	1	X	X	-	-	A	A	TEVN
Lactic Acid (80%)	2	2	X	2	X	-	-	-	A	A	TEVN
Lard Oil	2	-	2	1	3	2	2	2	A	A	TVB
Lead											
Lead Acetate	X	X	X	2	X	2	2	2	X	A	TENB
Lead Chloride	X	-	-	2	-	-	2	2	X	-	TVNB
Lead Sulfate	X	-	-	2	X	2	2	2	X	-	TEVNB
Lime Sulphur	X	X	X	-	X	2	2	2	X	A	TEVN
Linoleic Acid	2	X	3	2	X	2	2	2	X	A	TVB
Linseed Oil	2	2	2	2	2	2	2	2	A	A	TVNB
Lubricants (Oil)	2	1	-	-	2	2	2	2	A	X	TVNB
Magnesium											
Magnesium Carbonate	2	-	-	-	-	2	2	2	X	A	TEVNB
Magnesium Chloride	X	X	2	1	-	-	-	-	X	A	TEVNB
Magnesium Hydroxide	2	2	2	1	2	2	1	1	X	A	TEVNB
Magnesium Nitrate	2	2	2	1	2	2	2	2	X	A	TEVNB
Magnesium Oxide	-	-	-	-	-	-	-	-	X	-	-
Magnesium Sulfate	2	-	2	-	-	1	2	2	X	A	TEVNB
Maleic Acid	-	2	3	2	X	-	-	2	X	A	TEV
Mercuric											
Mercuric Chloride	X	X	X	-	X	X	X	-	X	A	TEVB
Mercuric Cyanide	X	X	X	2	X	2	2	2	X	A	TEVB
Mercury	X	X	X	1	2	-	1	1	A	A	TEVNB
Methane	1	1	2	1	2	1	1	1	A	X	TEVNB
Methanol	2	2	2	1	2	2	2	2	A	A	TENB
Methyl											
Methyl Bromide	X	-	-	-	2	-	2	2	X	X	TV
Methyl Ethyl Ketone	2	2	2	2	2	2	2	2	A	X	TE
Methyl Isobutyl Ketone	2	2	2	2	2	2	2	2	A	X	T
Methyl Methacrylate	2	-	-	-	X	-	2	2	X	A	T
Methylene Chloride	-	2	2	X	2	-	-	-	A	X	T
Milk	1	X	X	1	2	X	1	1	A	A	TEVNB
Mineral Oil	2	1	-	-	2	1	1	2	A	A	TVNB
Muriatic Acid	X	-	-	1	-	X	X	X	X	A	TV
Napthalene	2	2	2	2	2	2	1	1	A	A	TV
Naptha	2	2	2	2	2	2	2	2	A	X	TVB

Ratings given are based at 70°F.



Technical Information

AGENT	Aluminum	Brass	Bronze	Hastelloy, C-276	Malleable Iron Carbon Steel	Monel	Stainless Steel, 304	Stainless Steel, 316	Nylon	Polypropylene	Seal Material
<b>Nickel</b>											
Nickel Chloride	X	X	X	-	X	2	-	-	X	A	TEVNB
Nickel Sulfate	X	X	-	2	-	-	2	2	X	A	TEVNB
<b>Nitric</b>											
Nitric Acid (100%)	1	X	X	2	X	X	2	-	X	X	TV
Nitric Acid (50%)	X	X	X	1	X	X	2	-	X	X	TV
Nitric Acid (30%)	X	X	X	1	X	X	1	-	X	X	TV
Nitrobenzene	1	2	2	-	2	2	2	2	A	A	T
<b>Oils</b>											
Castor Oil	2	2	2	1	2	1	2	2	A	A	TEVNB
Coconut Oil	2	-	2	-	3	2	2	2	A	A	TVB
Corn Oil	2	2	2	-	2	2	-	2	A	A	TVNB
Cotton Seed Oil	2	2	2	-	2	1	2	2	A	A	TVNB
Fuel Oil	2	2	2	2	2	2	2	2	A	X	TVNB
Linseed Oil	2	2	2	2	2	2	2	2	A	A	TVNB
Mineral Oil	2	1	-	-	2	1	1	2	A	A	TVNB
Silicon Oil	2	1	2	-	2	-	2	2	A	A	TEVB
Vegetable Oil	2	2	2	1	2	1	1	1	A	X	TVNB
Oleic Acid	2	3	2	2	2	1	-	1	A	X	TB
Oleum	2	X	X	-	2	X	2	2	X	X	TV
Oxalic Acid (Sat.)	2	-	2	2	X	2	X	X	X	A	TEV
Oxygen	2	2	2	-	2	2	2	2	X	X	TEVNB
Palmitic Acid (Sat.)	2	3	2	-	3	2	2	2	X	A	TVB
Paraffin	2	2	2	2	2	2	2	2	A	A	TVNB
Perchloroethylene	2	2	2	2	2	1	-	-	X	X	TV
Petrolatum	2	-	2	-	3	2	2	2	A	-	TVNB
Phenol (Carbolic Acid)	1	1	X	1	2	1	-	1	X	X	TV
<b>Phosphoric Acid</b>											
Phosphoric Acid (25-50%)	X	X	2	1	X	X	-	-	X	A	TEVN
Phosphoric Acid (50-85%)	X	X	X	1	X	3	-	-	X	A	TEV
Photographic Solutions	-	-	-	-	X	1	1	1	X	X	TVNB
Phthalic Anhydride	-	2	2	1	2	1	1	1	X	X	TEV
Picric Acid	1	X	X	2	X	X	2	2	X	-	TEVNB
<b>Plating Solutions</b>											
Brass Plating Solution	-	-	-	1	-	-	-	2	X	A	TEVNB
Cadmium Plating Solution	-	-	-	1	-	-	-	2	X	A	TEVNB
Chrome 40% Plating Solution	X	2	2	1	X	X	2	2	X	A	TEVN
Copper (Cyanide) Plating Solution	-	-	-	1	-	-	-	-	X	A	TEVNB
Gold Plating Solution	-	-	-	1	-	-	-	1	X	A	TEVNB
Iron Plating Solution	-	-	-	-	-	-	-	-	X	A	TEVB
Lead Plating Solution	-	-	-	-	-	-	1	1	X	A	TEVNB
Nickel Plating Solution	-	-	-	1	-	-	1	1	X	A	TEVNB
Silver Plating Solution	-	-	-	1	-	-	1	1	X	A	TEVNB
Tin Plating Solution	-	-	-	1	-	-	-	3	X	A	TEVNB
Zinc Plating Solution	-	-	-	1	-	-	-	-	X	A	TEVNB
<b>Potassium</b>											
Potassium Acetate	X	X	X	-	2	-	-	-	A	A	TEVB
Potassium Bicarbonate (30%)	X	2	-	2	2	2	1	1	A	A	TEVNB
Potassium Carbonate (50%)	X	2	X	2	2	2	1	1	A	A	TEVNB
Potassium Chlorate (30%)	2	X	X	-	2	2	2	1	X	A	TEVNB
Potassium Chloride (30%)	X	X	2	-	2	1	-	-	A	A	TEVNB
Potassium Chromate (30%)	2	2	2	2	-	2	2	2	X	A	TEVB
Potassium Cyanide Solution (30%)	X	X	X	2	2	2	2	2	X	A	TEVNB
Potassium Dichromate (30%)	1	2	2	2	2	2	1	1	X	A	TEVB
Potassium Hydroxide (90%)	X	X	X	2	-	2	X	-	X	A	TENB
Potassium Nitrate (80%)	1	2	2	2	2	2	2	2	X	A	TEVNB
Potassium Permanganate (20%)	2	2	2	1	2	2	2	2	X	A	TEVN
Potassium Sulfate (10%)	1	2	2	1	2	1	1	1	A	A	TEVNB
Propane	1	1	1	2	2	1	2	2	X	X	TVB
Propylene Glycol	2	2	2	2	2	2	2	2	A	A	TVNB
Propylene Oxide (90%)	-	-	-	-	-	-	1	1	X	X	TE
Pyridine	2	2	2	-	2	2	2	2	A	X	T
Pyrogalllic Acid	2	2	2	2	2	2	2	2	X	X	TVNB
Silver Nitrate	X	X	X	-	X	X	2	1	X	A	TEVNB
Soap Solutions	2	2	2	1	2	2	2	2	A	A	TEVNB

Ratings given are based at 70°F.



Technical Information

AGENT	Aluminum	Brass	Bronze	Hastelloy, C-276	Malleable Iron Carbon Steel	Monel	Stainless Steel, 304	Stainless Steel, 316	Nylon	Polypropylene	Seal Material
Sodium											
Sodium Acetate	1	2	2	-	X	2	2	2	A	A	TEN
Sodium Bicarbonate (20%)	2	2	2	1	3	1	1	1	A	A	TEVNB
Sodium Bisulfate	X	-	2	2	2	-	-	-	A	A	TEVNB
Sodium Bisulfite	X	2	X	2	X	-	-	-	A	A	TEVNB
Sodium Borate	2	2	2	2	3	2	2	2	A	A	TEVNB
Sodium Perborate (10%)	2	X	2	2	2	2	2	2	X	A	TEVNB
Sodium Carbonate	X	2	-	2	2	1	-	2	A	A	TEVNB
Sodium Chlorate (50%)	2	2	2	1	X	1	2	2	X	A	TEVNB
Sodium Cyanide	X	X	X	2	2	X	-	-	A	A	TEVNB
Sodium Dichromate	2	X	X	1	2	-	2	2	X	A	TE
Sodium Hydroxide (70%)	X	X	X	1	3	1	2	2	X	A	TENB
Sodium Hydroxide (50%)	X	X	3	1	3	1	1	-	X	A	TENB
Sodium Hydroxide (30%)	X	2	3	2	2	1	1	1	X	A	TENB
Sodium Chloride (30%)	X	2	2	2	2	1	-	-	X	A	TEVNB
Sodium Hypochlorite	X	X	X	-	X	X	-	-	X	A	TEV
Sodium Metaphosphate	X	X	2	-	X	2	2	2	X	X	TEVNB
Sodium Nitrate (40%)	1	2	-	-	2	2	1	1	A	A	TENB
Sodium Perborate (10%)	2	X	2	2	2	2	2	2	X	A	TEVNB
Sodium Peroxide (10%)	2	X	X	2	2	2	2	2	X	A	TEVNB
Sodium Silicate	1	2	2	2	2	2	2	2	A	A	TEVNB
Sodium Sulfate	-	2	2	2	2	-	-	1	A	A	TEVNB
Sodium Sulfide (50%)	X	X	X	2	2	2	-	2	X	A	TEVNB
Sodium Thiosulphate	2	X	X	2	X	2	2	2	A	A	TEVNB
Stannic Chloride	X	X	X	-	X	X	X	X	X	A	TEVNB
Stannous Chloride	X	X	X	2	X	-	X	-	X	X	TEVNB
Steam	-	-	-	-	-	-	-	-	X	-	-
Stearic Acid	2	3	2	1	3	3	2	1	A	A	TVNB
Stoddard's Solvent	2	2	2	1	2	2	2	2	X	A	TVB
Sugar Liquors (Cane)	1	2	1	-	2	2	2	2	A	A	TEVNB
Sugar Liquors (Beet)	1	2	1	-	2	1	1	1	A	A	TEVNB
Sulfate Liquors	2	X	X	2	3	2	-	2	X	A	TVNB
Sulfite Liquors	X	X	-	1	X	X	2	2	X	X	TVNB
Sulfur Chloride	X	-	X	2	X	X	-	-	X	X	TV
Sulfur Dioxide (Dry)	2	2	2	2	1	2	-	2	X	A	TE
Sulfur Trioxide	2	2	X	2	2	2	-	2	X	X	TEV
Sulfuric Acid (TO 10%)	X	2	X	1	X	X	X	X	X	A	TEVNB
Sulfuric Acid (100%)	X	X	X	1	2	X	-	-	X	X	TV
Sulfurous Acid	2	2	X	-	X	X	X	-	X	A	TV
Tannic Acid	X	-	X	-	X	2	2	2	X	A	TEVNB
Tanning Liquors	1	-	2	1	-	-	1	1	X	A	TVNB
Tartaric Acid	-	-	2	2	-	-	1	1	A	A	TVNB
Titanium Tetrachloride	X	X	X	2	2	2	-	2	X	X	TV
Toluene	1	1	1	1	1	1	1	1	A	X	TVB
Tetrahydrofuran	X	-	2	1	1	-	1	2	A	X	T
Tomato Juice	2	-	3	2	3	2	2	2	X	A	TEVNB
Trichloroethylene	1	-	2	1	2	-	-	-	A	X	TV
Triethanolamine	2	X	2	2	2	2	2	2	A	X	TEVN
Triethylamine	-	-	-	-	-	2	2	2	A	X	TVB
Trisodium Phosphate (10%)	X	2	-	1	2	2	1	1	A	A	TVNB
Turpentine	2	X	2	2	2	1	1	1	X	X	TVB
Urea (50%)	2	-	2	-	2	2	2	2	A	A	TEVNB
Urine	-	-	-	-	2	-	1	1	X	A	TEVNB
Vinegar	X	X	2	2	2	2	2	2	X	A	TEVN
Water Acid (Mine)	X	X	X	1	X	-	-	-	X	A	TEVNB
Water (Distilled)	X	2	2	1	X	X	2	2	A	A	TEVNB
Water (Sea)	2	2	2	1	X	2	2	2	A	A	TEVNB
Whiskey	X	2	2	1	2	2	1	1	X	A	TEVNB
White Liquor (Pulp)	2	-	X	2	X	X	2	2	X	A	TEVNB
Wine	X	2	2	1	X	2	1	1	X	A	TEVNB
Xylene	2	2	2	1	2	2	2	2	A	X	TV
Zinc											
Zinc Chloride	X	X	X	2	X	-	X	2	A	A	TEVNB
Zinc Nitrate	-	-	-	-	-	-	2	2	X	A	TEVNB
Zinc Sulfate (50%)	X	2	2	2	X	2	1	1	X	A	TEVNB

Ratings given are based at 70°F.

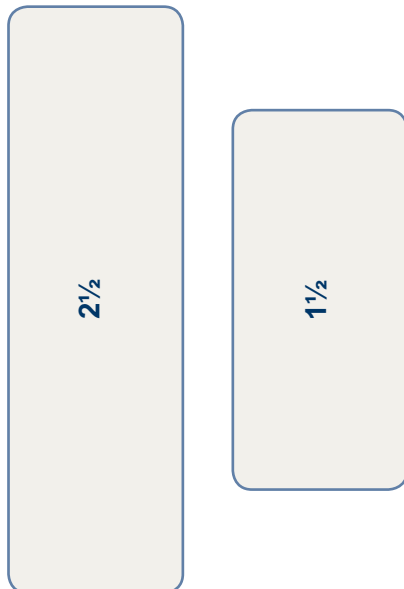


## Fittings Size Chart

### Male NPT Thread Sizes



### Male NST Thread Sizes



## Temperature Conversions

Look up reading in middle column (shaded). If in degrees Centigrade, read Fahrenheit equivalent in right-hand column; if in degrees Fahrenheit, read Centigrade equivalent in left-hand column.

°C	°F	°C	°F	°C	°F	°C	°F	
-73	-100	-148	5.0	41	105.8	33.3	92	197.6
-68	-90	-130	5.6	42	107.6	33.9	93	199.4
-62	-80	-112	6.1	43	109.4	34.4	94	201.2
-57	-70	-94	6.7	44	111.2	35.0	95	203.0
-51	-60	-76	.72	45	113.0	35.6	96	204.8
-46	-50	-58	7.8	46	114.8	36.1	97	206.6
-40	-40	-40	8.3	47	116.6	36.7	98	208.4
-34	-30	-22	8.9	48	118.4	37.2	99	210.2
-29	-20	-4	9.4	49	120.2	37.8	100	212.0
-23	-10	14	10.0	50	122.0			
-17.8	0	32	10.6	51	123.8	43	110	230
-17.2	1	33.8	11.1	52	125.6	49	120	248
-16.7	2	35.6	11.7	53	127.4	54	130	266
-16.1	3	37.4	12.2	54	129.2	60	140	284
-15.6	4	39.2	12.8	55	131.0	66	150	302
-15.0	5	41.0	13.3	56	132.8	71	160	320
-14.4	6	42.8	13.9	57	134.6	77	170	338
-13.9	7	44.6	14.4	58	136.4	82	180	356
-13.3	8	46.4	15.0	59	138.2	88	190	374
-12.8	9	48.2	15.6	60	140.0	93	200	392
-12.2	10	50.0	16.1	61	141.8	99	210	410
-11.7	11	51.8	16.7	62	143.6	100	212	413.6
-11.1	12	53.6	17.2	63	145.4	104	220	428
-10.6	13	55.4	17.8	64	147.2	110	230	446
-10.0	14	57.2	18.3	65	149.0	116	240	464
-9.4	15	59.0	18.9	66	150.8	121	250	482
-8.9	16	60.8	19.4	67	152.6	127	260	500
-8.3	17	62.6	20.0	68	154.4	132	270	518
-7.8	18	64.4	20.6	69	156.2	138	280	536
-7.2	19	66.2	21.1	70	158.0	143	290	554
-6.7	20	68.0	21.7	71	159.8	149	300	572
-6.1	21	69.8	22.2	72	161.6	154	310	590
-5.6	22	71.6	22.8	73	163.4	160	320	608
-5.0	23	73.4	23.3	74	165.2	166	320	626
-4.4	24	75.2	23.9	75	167.0	170	338	640
-3.9	25	77.0	24.4	76	168.8	171	340	644
-3.3	26	78.8	25.0	77	170.6	177	350	662
-2.8	27	80.6	25.6	78	172.4	182	360	680
-2.2	28	82.4	26.1	79	174.2	186	366	691
-1.7	29	84.2	26.7	80	176.0	188	370	698
-1.1	30	86.0	27.2	81	177.8	193	380	716
-.6	31	87.8	27.8	82	179.6	198	388	730
0	32	89.6	28.3	83	181.4	199	390	734
.6	33	91.4	28.9	84	183.2	204	400	752
1.1	34	93.2	29.4	85	185.0	208	406	763
1.7	35	95.0	30.0	86	186.8	210	410	770
2.2	36	96.8	30.6	87	188.6	216	420	788
2.8	37	98.6	31.1	88	190.4	221	430	806
3.3	38	100.4	31.7	89	192.2	227	440	824
3.9	39	102.2	32.2	90	194.0	232	450	842
4.4	40	104.0	32.8	91	195.8			

# Steam Temperature - Pressure Conversion Guide

## Temperature - Pressure Equivalents of Saturated Steam Gauge Pressure at Sea Level

• Degrees Celsius = 5/9 (Degrees F - 32)

Temperature		Lbs. per Sq. Inch	Temperature		Lbs. per Sq. Inch	Temperature		Lbs. per Sq. Inch
°F	°C		°F	°C		°F	°C	
212	100.0	0.0	286	141.1	39.4	336	168.9	97.1
214	101.1	0.6	287	141.7	40.3	337	169.4	98.7
216	102.2	1.2	288	142.2	41.1	338	170.0	100.2
218	103.3	1.8	289	142.8	42.0	339	170.6	101.8
220	104.4	2.5	290	143.3	42.9	340	171.1	103.3
222	105.6	3.2	291	143.9	43.8	341	171.7	105.0
224	106.7	3.9	292	144.4	44.7	342	172.2	106.5
226	107.8	4.6	293	145.0	45.6	343	172.8	108.2
228	108.9	5.3	294	145.6	46.5	344	173.3	109.8
230	110.0	6.1	295	146.1	47.5	345	173.9	111.5
232	111.1	6.9	296	146.7	48.4	346	174.4	113.1
234	112.2	7.7	297	147.2	49.4	347	175.0	114.8
236	113.3	8.5	298	147.8	50.3	348	175.6	116.5
238	114.4	9.4	299	148.3	51.3	349	176.1	118.2
240	115.6	10.3	300	148.9	52.3	350	176.7	119.9
242	116.7	11.2	301	149.4	53.4	352	177.8	123.5
244	117.8	12.1	302	150.0	54.4	354	178.9	127.1
246	118.9	13.1	303	150.6	55.4	356	180.0	130.8
248	120.0	14.1	304	151.1	56.4	358	181.1	134.5
250	121.1	15.1	305	151.7	57.5	360	182.2	138.3
252	122.2	16.2	306	152.2	58.6	362	183.3	142.3
254	123.3	17.3	307	152.8	59.7	364	184.4	146.2
256	124.4	18.4	308	153.3	60.7	366	185.6	150.3
258	125.6	19.6	309	153.9	61.9	368	186.7	154.4
260	126.7	20.7	310	154.4	63.0	370	187.8	158.7
261	127.2	21.4	311	155.0	64.2	372	188.9	163.0
262	127.8	22.0	312	155.6	65.3	374	190.0	167.4
263	128.3	22.6	313	156.1	66.5	376	191.1	171.9
264	128.9	23.2	314	156.7	67.6	378	192.2	176.4
265	129.4	23.9	315	157.2	68.8	380	193.3	181.1
266	130.0	24.5	316	157.8	70.0	382	194.4	185.8
267	130.6	25.2	317	158.3	71.3	384	195.6	190.6
268	131.1	25.8	318	158.9	72.5	386	196.7	195.6
269	131.7	26.5	319	159.4	73.7	388	197.8	200.6
270	132.2	27.2	320	160.0	75.0	390	198.9	205.7
271	132.8	27.9	321	160.6	76.3	392	200.0	210.9
272	133.3	28.6	322	161.1	77.5	394	201.1	216.2
273	133.9	29.3	323	161.7	78.8	396	202.2	221.5
274	134.4	30.0	324	162.2	80.1	398	203.3	227.0
275	135.0	30.8	325	162.8	81.5	400	204.4	232.6
276	135.6	31.5	326	163.3	82.8	402	205.5	238.0
277	136.1	32.3	327	163.9	84.2	404	206.7	244.0
278	136.7	33.0	328	164.4	85.6	406	207.8	250.0
279	137.2	33.8	329	165.0	87.0	408	208.9	256.0
280	137.8	34.5	330	165.6	88.4	410	210.0	262.0
281	138.3	35.3	331	166.1	89.8	412	211.1	268.0
282	138.9	36.1	332	166.7	91.2	414	212.2	275.0
283	139.4	36.9	333	167.2	92.7	416	213.3	281.0
284	140.0	37.7	334	167.8	94.1	418	214.4	288.0
285	140.6	38.6	335	168.3	95.6	420	215.6	294.0



## Pressure Conversions

100 PSI = 6.9 Bars  
 250 PSI = 17.25 Bars  
 600 PSI = 41.4 Bars

5 Bars = 72.5 PSI  
 10 Bars = 145 PSI  
 25 Bars = 362.5 PSI

## Measurement Information

### Measures of Pressure

1 Pound Per Square Inch = 144 Pounds Per Square Foot = 0.068 Atmosphere = 2.042 Inches of Mercury at 62°F = 27.7 Inches of Water at 62°F = 2.31 Feet of Water at 62°F.

1 Atmosphere = 30 Inches of Mercury at 62°F = 14.7 Pounds Per Square Inch = 2116.3 Pounds Per Square Foot = 33.95 Feet of Water at 62°F.

1 Foot of Water at 62°F = 62.355 Pounds Per Square Foot = 0.433 Pounds Per Square Inch.

1 Inch of Mercury at 62°F = 1.132 Feet of Water = 13.58 Inches of Water = 0.491 Pounds Per Square Inch.

Column of Water 12 Inches High, 1 Inch in Diameter = .341 Pounds

If temperature is kept constant, the volume of a given mass of gas is inversely proportional to the pressure which is exerted upon it.

## Length Conversion Constants

Millimeters x .039370 = Inches  
 Meters x 39.370 = Inches  
 Meters x 3.2808 = Feet  
 Meters x 1.09361 = Yards  
 Kilometers x 3,280.8 = Feet  
 Kilometers x .62137 = Statute Mile  
 Kilometers x .53959 = Nautical Miles

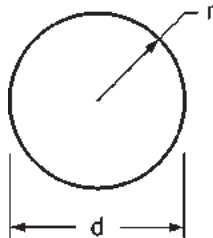
Inches x 25.4001 = Millimeters  
 Inches x .0254 = Meters  
 Feet x .30480 = Meters  
 Yards x .91440 = Meters  
 Feet x .0003048 = Kilometers  
 Statute Miles x 1.60935 = Kilometers  
 Nautical Miles x 1.85325 = Kilometers

## Weight Conversion Constants

Grams x .03527 = Ounces (Avd.)  
 Grams x .033818 = Fluid Ounces (Water)  
 Kilograms x 35.27 = Ounces (Avd.)  
 Kilograms x 2.20462 = Pounds (Avd.)

Ounces (Avd.) x 28.35 = Grams  
 Fluid Ounces (Water) x 29.57 = Grams  
 Ounces (Avd.) x .02835 = Kilograms  
 Pounds (Avd.) x .45359 = Kilograms

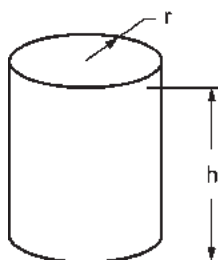
## Circumference of a Circle



$$\text{Circumference} = 2\pi r = \pi d = 3.14159 d$$

$$\text{Area} = \pi r^2 = \pi \frac{d^2}{4} = .78539 d^2$$

## Right Cylinder



r = radius  
 h = length

$$\text{Volume} = \pi r^2 h$$

$$\text{Surface Area} = 2\pi r (r + h)$$

If end planes are parallel but not at 90° to h, the same formulas apply, but a slice at 90° through the cylinder must be used to determine r.

## Bolt Tightening Sequence for Dixon™ Boss Clamps

1. The correct size Boss™ clamp must be used.
2. Bolts in Boss™ clamps are designed to bend as they are tightened. This allows the clamp to conform to the hose outside diameter.
3. Always tighten bolts to their specified torque value. This torque value can be found on the pages 116-117.
4. Periodic re-tightening of bolts is required due to "cold flow" phenomenon present in all rubber hoses.
5. Boss™ clamps are for single use only! Once removed they are to be discarded.

### 2 Bolt Dixon™ Boss™ Clamp Bolt Tightening Sequence

Using a torque wrench, begin tightening the bolts as follows:

- a) First bolt (nut facing assembler) 1 full turn.
- b) Second bolt (opposite first bolt) 1 full turn.
- c) Repeat procedure "a" and "b" until both bolts have reached the recommended torque.
- d) Remove assembly from vise.

### 4 Bolt Dixon™ Boss™ Clamp Bolt Tightening Sequence

Using a torque wrench, begin tightening the bolts as follows:

- a) Back bolt (bolt with nut facing assembler that is furthest away from gripping finger) 1 full turn.
- b) Front bolt (bolt with nut facing assembler that is closest to gripping finger) 1 full turn.
- c) Snug by hand (if bolts are loose) nuts on opposite side of bolts just torqued.
- d) Opposite side back bolt (bolt with nut facing assembler furthest away from gripping finger) 1 full turn.
- e) Opposite side front bolt (bolt with nut facing assembler closest to gripping finger) 1 full turn.
- f) Snug by hand (if bolts are loose) nuts on opposite side of bolts just torqued.
- g) Repeat above procedure "a" through "f" until all of the bolts have reached the recommended torque.
- h) Remove assembly from vise.

### 6 Bolt Dixon™ Boss™ Clamp Bolt Tightening Sequence

Using a torque wrench, begin tightening the bolts as follows:

- a) Back bolt (bolt with nut facing assembler that is furthest away from gripping finger) having "X" near it one full turn.
- b) Front bolt (bolt with nut facing assembler that is closest to gripping finger) of same segment one full turn.
- c) Moving to clamp segment to the left of the one just tightened, snug bolts by hand (if bolts are loose).
- d) Back bolt to one full turn.
- e) Front bolt one full turn.
- f) Moving to clamp segment to the left of the one just tightened, snug bolts by hand (if bolts are loose).
- g) Back bolt one full turn.
- h) Front bolt one full turn.
- i) Repeat above procedure "a" through "h" until all of the bolts have reached the recommended torque.
- j) Remove assembly from vise.

## Fraction - Decimal Conversion Chart

	<u>Inches</u>	<u>Millimeters</u>		<u>Inches</u>	<u>Millimeters</u>
$\frac{1}{32}$	$\frac{1}{64}$ .015625	.3969	$\frac{17}{32}$	$\frac{33}{64}$ .515625	13.0969
$\frac{1}{16}$	$\frac{3}{64}$ .046875	1.1906	$\frac{9}{16}$	$\frac{35}{64}$ .546875	13.8907
$\frac{3}{32}$	$\frac{5}{64}$ .078125	1.9844	$\frac{19}{32}$	$\frac{37}{64}$ .578125	14.6844
$\frac{1}{8}$	$\frac{7}{64}$ .109375	2.7781	$\frac{5}{8}$	$\frac{39}{64}$ .609375	15.4782
$\frac{5}{32}$	$\frac{9}{64}$ .140625	3.5719	$\frac{21}{32}$	$\frac{41}{64}$ .640625	16.2719
$\frac{3}{16}$	$\frac{11}{64}$ .171875	4.3656	$\frac{11}{16}$	$\frac{43}{64}$ .671875	17.0657
$\frac{7}{32}$	$\frac{13}{64}$ .203125	5.1594	$\frac{23}{32}$	$\frac{45}{64}$ .703125	17.8594
$\frac{1}{4}$	$\frac{15}{64}$ .234375	5.9531	$\frac{3}{4}$	$\frac{47}{64}$ .734375	18.6532
$\frac{9}{32}$	$\frac{17}{64}$ .265625	6.7469	$\frac{25}{32}$	$\frac{49}{64}$ .765625	19.4470
$\frac{5}{16}$	$\frac{19}{64}$ .296875	7.5406	$\frac{13}{16}$	$\frac{51}{64}$ .796875	20.2407
$\frac{11}{32}$	$\frac{21}{64}$ .328125	8.3344	$\frac{27}{32}$	$\frac{53}{64}$ .828125	21.0345
$\frac{3}{8}$	$\frac{23}{64}$ .359375	9.1282	$\frac{7}{8}$	$\frac{55}{64}$ .859375	21.8282
$\frac{13}{32}$	$\frac{25}{64}$ .390625	9.9219	$\frac{29}{32}$	$\frac{57}{64}$ .890625	22.6220
$\frac{7}{16}$	$\frac{27}{64}$ .421875	10.7157	$\frac{15}{16}$	$\frac{59}{64}$ .921875	23.4157
$\frac{15}{32}$	$\frac{29}{64}$ .453125	11.5094	$\frac{31}{32}$	$\frac{61}{64}$ .953125	24.2095
$\frac{1}{2}$	$\frac{31}{64}$ .484375	12.3032	$\frac{63}{64}$	.984375	25.0032
		12.7001	1	1.000	25.4001



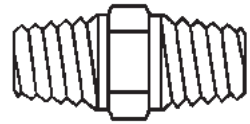
# Identifying Threads

## Pipe Threads

Pipe threads are either tapered or straight (parallel). The two styles may or may not be compatible. Refer to thread information chart on page 830.

### Tapered threads

Tapered threads are the most common type of thread available. As the name implies, they have a slight taper. When mated together and tightened, the threads compress and may form a seal. Usually a thread sealant is required. The mating threads both hold the fitting in place and seal the connection. The most widely used pipe threads in North America are NPT (National Pipe Taper). Some confusion may result from the use of NPT, FPT, and MPT in describing threads. Both FPT and MPT are NPT threads, with FPT meaning female threads (internal) and MPT meaning male threads (external).

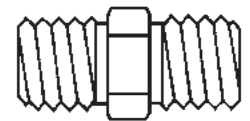


tapered threads

NPTF (Dryseal) threads are modified NPT threads, which are less likely to leak without a sealant. For a leak-free seal, we recommend using a sealant compound or PTFE tape. You can use NPTF threads with NPT threads, but you'll lose some of the leak-free characteristics.

### Straight threads

Straight (parallel) threads are used for mechanical joining. They serve one purpose - to hold a fitting in place. As a result, an O-ring (elastomer), hard metal seal or a soft seat seal is required. Straight pipe threads include NPSM (National Pipe Straight Mechanical), and NPSH (National Pipe Straight Hose). Sizing and pitches may differ from the NPT threads



straight threads

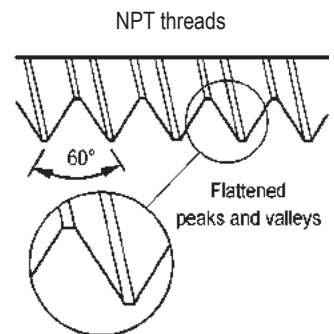
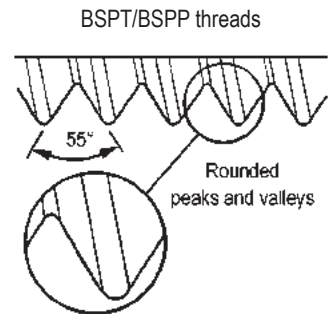
Less common straight threads are GHT (Garden Hose) and NST (fire hose coupling).

## NPT vs. BSP (British Standard Pipe)

BSP threads are common in many countries outside the United States. BSP consists of two types of threads - BSPT (British Standard Pipe Taper) and BSPP (British Standard Pipe Parallel).

BSPT threads have a slight taper similar to NPT. BSPP threads are straight (parallel) threads and have the same thread angle, shape and threads per inch (pitch) as BSPT threads. *BSPT and BSPP threads should not be substituted for NPT threads.*

NPT and BSPT/BSPP threads have different angles, shape, and (in most cases) threads per inch (pitch). The thread angle is 60° for NPT threads; 55° for BSPT/BSPP threads. NPT threads are flattened at the peaks and valleys, while BSPT/BSPP threads are rounded.



Nominal Pipe Size	Threads per inch	
	NPT	BSPT / BSPP
1/16"	27	---
1/8"	27	28
1/4"	18	19
3/8"	18	19
1/2"	14	14
3/4"	14	14
1"	11½	11
1-1/4"	11½	11
1-1/2"	11½	11
2"	11½	11
2-1/2"	8	11
3"	8	11
3-1/2"	8	11
4"	8	11
5"	8	11
6"	8	11
8"	8	11

# Identifying Threads

*It is important to identify the threads required before ordering couplings.*

Identifying threads can sometimes be the most difficult and frustrating part of coupling selection. However, without the right combination of threads, you may not provide a functional or safe connection.

The diameters, threads per inch (TPI) and thread pitch, etc. are necessary to completely identify a thread. Ring, plug and GO/NOGO gauges are required to accurately gauge or identify threads. In the field, in the absence of these gauges, thread leaf gauges can be used to identify the Threads Per Inch (TPI) and the thread pitch. On threads you have determined to be straight threads, a caliper can be used to measure the Outside Diameter of the male (ODM) or the Inside Diameter of the female (IDF). A caliper can also be used to take measurements of tapered thread diameters. However, these are more difficult to define because of the taper. Fortunately, there are few tapered threads to deal with and these can usually be identified from the nominal ODM and the TPI.

However, identifying the thread may not fully identify what is needed in a mating fitting. The application is the primary *limiting factor on the thread type used*. Dixon™ offers products with a wide variety of threads used with hose, pipe and hydraulics.

When attempting to choose a fitting, it is always advisable to first identify the thread to which it must connect. This may entail checking with a fitting or equipment manufacturer.

*The fire hose thread specifications for some local municipal fire equipment and hydrants may vary according to local specifications. These can generally be most easily identified by contacting the local fire department responsible for the hydrant. The most common thread used on fire equipment is National Standard Thread (NST), also known as National Hose thread (NH).*

When it is not possible to identify the thread:

1. Determine the number of threads per inch by measuring the distance from peak of thread to peak of thread across the largest number of whole threads. Then divide the number of threads by the measurement (this will provide the TPI).

2. Check to see if the thread is straight or tapered.

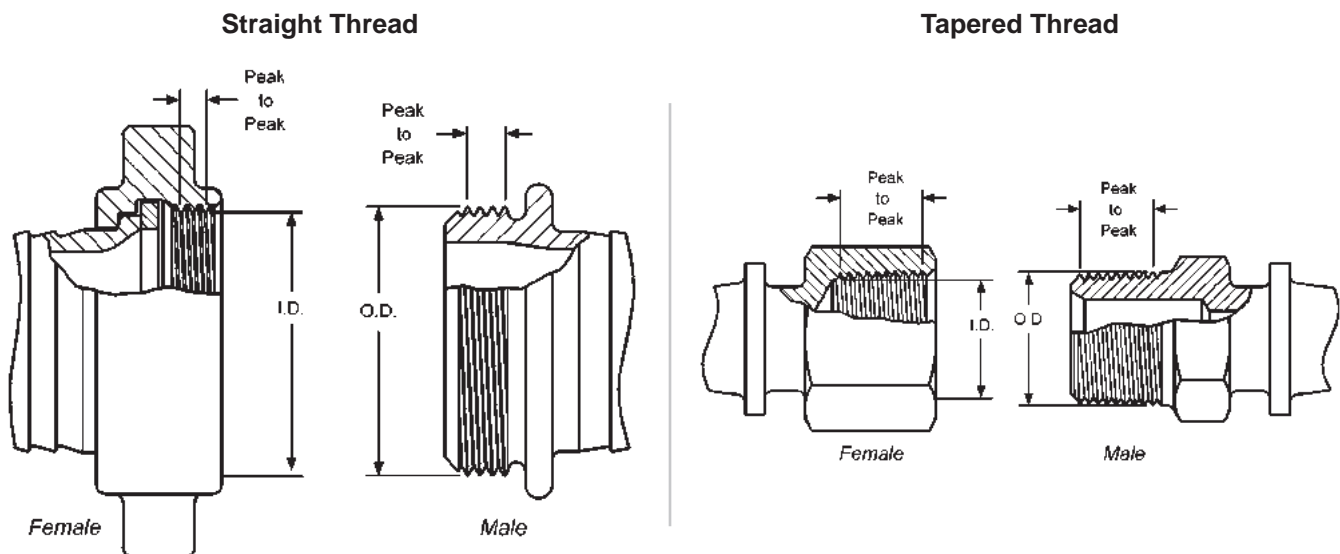
a) Straight Threads

Measure the Outside Diameter of the Male (ODM) or the Inside Diameter of the Female (IDF), from peak of thread to peak of thread.

b) Tapered Threads

Measure the Outside Diameter of the Male (ODM) at the large end and the small end, or the Inside Diameter of the Female (IDF) at the large end and the small end, from peak of thread to peak of thread. Then measure the Outside Diameter (OD) of the unthreaded pipe.

Once the application and these two pieces of information have been determined, the thread can generally be determined. When in doubt, call Dixon™ at 800.355.1991.



## Threading Information

Abbreviation	System Name	Compatibility	Seal Method
<b>BSPP</b>	<b>British Standard Pipe Parallel</b>	male BSPP with female BSPP	washer
		female BSPP with male BSPP	washer
		female BSPP with male BSPT	washer
<b>BSPTTr</b>	<b>British Standard Pipe Taper</b>	male BSPTTr with female BSPTTr	thread
		male BSPTTr with female BSPP	washer
		female BSPTTr with male BSPTTr <i>female BSPTTr not compatible with male BSPP</i>	thread
<b>CHT</b>	American Standard Fire Hose Thread (1" National Hose Thread is <b>C</b> hemical <b>H</b> ose <b>T</b> hread, also known as <b>B</b> ooster <b>H</b> ose <b>T</b> hread)	1" male NH (NST) with 1" female NH (NST)	washer
		1" female NH (NST) with 1" male NH (NST)	washer
		1" thread is used on both ¾" hose & 1" hose	not compatible
<b>GHT</b>	<b>Garden Hose Thread</b>	male GHT with female GHT	washer
		female GHT with male GHT	washer
		thread is same for all size hose	not compatible
<b>IPS</b>	<b>Iron Pipe Straight Thread</b>	generic name for Straight Pipe Thread <i>see NPSH for compatibility</i>	washer
<b>IPT</b>	<b>Iron Pipe Thread</b>	generic name for All Pipe Thread	more information required
<b>JIC</b>	<b>Joint Industrial Committee</b>	used with other mating JIC threads	mechanical
<b>NH or NST</b>	American Standard Fire Hose Coupling Thread ( <b>N</b> ational <b>H</b> ose thread also known as <b>N</b> ational <b>S</b> tandard <b>T</b> hread)	male NH (NST) with female NH (NST)	washer
		female NH (NST) with male NH (NST) thread pitch and diameters of fire threads may vary according to local and municipal regulations <i>not compatible with other systems</i>	washer
<b>NPT</b>	American Standard Taper Pipe Thread ( <b>N</b> ational <b>P</b> ipe <b>T</b> apered)	male NPT with female NPT	thread
		male NPT with female NPTF	thread
		male NPT with female NPSM	washer
		male NPT with female NPSH	washer
		female NPT with male NPT	thread
		female NPT with male NPTF <i>female NPT not compatible with male NPSM or male NPSH</i>	thread
<b>NPTF</b>	American Standard Taper Pipe Fuel Dryseal Thread ( <b>N</b> ational <b>P</b> ipe <b>T</b> apered <b>D</b> ryseal)	male NPTF with female NPTF	thread
		male NPTF with female NPT	thread
		male NPTF with female NPSM	washer
		male NPTF with female NPSH	washer
		female NPTF with male NPTF	thread
		female NPTF with male NPT	thread
		female NPTF with male NPSM or NPSH <i>NPTF with NPTF threads do not require sealant for the initial use, after that, sealant is required</i>	not compatible
<b>NPSH</b>	American Standard Straight Pipe for Hose Couplings ( <b>N</b> ational <b>P</b> ipe <b>S</b> traight <b>H</b> ose)	male NPSH with female NPSH	washer
		female NPSH with male NPSH	washer
		female NPSH with male NPT	washer
		female NPSH with male NPTF	washer
		female NPSH with male NPSM	washer
<b>NPSM</b>	American Standard Straight Mechanical Joints ( <b>N</b> ational <b>P</b> ipe <b>S</b> traight <b>M</b> echanical)	male NPSM with female NPSM	Seal can be either mechanical or washer. Mating fittings must be of same type.
		male NPSM with female NPSH	
		female NPSM with male NPSM	
		female NPSM with male NPT	
		female NPSM with male NPTF	
<b>SIPT</b>	<b>Straight Iron Pipe Thread</b>	generic name for Straight Pipe Thread	washer
<b>TIPT</b>	<b>Tapered Iron Pipe Thread</b>	generic name for Tapered Pipe Thread	thread
<b>NYFD</b>	<b>NYFD Fire Department</b>	straight thread used in New York City	washer
<b>Chicago</b>	<b>Chicago Fire Department</b>	straight thread used in Chicago	washer



## Thread Chart for Hydraulic Fittings

Dash Size	2	4	6	8	10	12	16	20	24	32	40	48
JIC 37 degree Flare Thread	5/16-24	7/16-20	9/16-18	3/4-16	7/8-14	1 1/16-12	1 5/16-12	1 5/8-12	1 7/8-12	2 1/2-12	---	---
SAE O-Ring Thread	---	7/16-20	9/16-18	3/4-16	7/8-14	1 1/16-12	1 5/16-12	1 5/8-12	1 7/8-12	2 1/2-12	---	---
NPTF Pipe Thread	1/8-27	1/4-18	3/8-18	1/2-14	---	3/4-14	1-11 1/2	1 1/4-11 1/2	1 1/2-11 1/2	2-11 1/2	---	---
NPSM Swivel Thread	---	1/4-18	3/8-18	1/2-14	---	3/4-14	1-11 1/2	1 1/4-11 1/2	1 1/2-11 1/2	2-11 1/2	---	---
Flat Face Thread	---	9/16-18	11/16-16	13/16-16	1-14	1 3/16-12	1 7/16-12	---	---	---	---	---
Code 61 Flange Head OD	---	---	---	1.19	---	1.50	1.75	2.00	2.38	2.81	3.31	4.0
Code 62 Flange Head OD	---	---	---	1.25	---	1.62	1.88	2.12	2.50	3.12	---	---
British Thread BSPP/BSPT	---	1/4-19	3/8-19	1/2-14	---	3/4-14	1-11	---	---	---	---	---



# Thread Dimensions

## Nominal Dimensions of Standard Threads

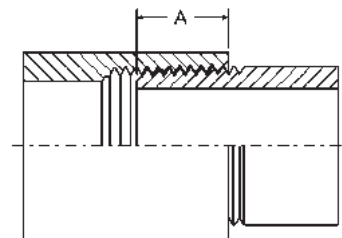
- ODM = Outside Diameter of the Male
- IDF = Inside Diameter of the Female
- TPI = Threads Per Inch
- GHT (3/4") -- 1.0625 ODM, 11-1/2 TPI
- Female NPT (Tapered Pipe) thread is not available on hose swivel nuts.

Size	Pipe OD	Tapered Threads		Straight Threads											
		NPT	BSPT <sub>r</sub>	NPSH			NPSM			NST (NH)			BSPP		
		TPI	TPI	TPI	ODM (max)	IDF (min)	TPI	ODM (max)	IDF (min)	TPI	ODM (max)	IDF (min)	TPI	ODM (max)	IDF (min)
1/8"	.405	27.0	28				27.0	0.397	0.358					0.383	0.337
1/4"	.540	18.0	19				18.0	0.526	0.468					0.516	0.450
3/8"	.675	18.0	19				18.0	0.662	0.603					0.656	0.588
1/2"	.840	14.0	14	14.0	0.8248	0.7395	14.0	0.823	0.747					0.825	0.733
3/4"	1.050	14.0	14	14.0	1.0353	0.9500	14.0	1.034	0.958					1.041	0.950
1"	1.315	11.5	11	11.5	1.2951	1.1921	11.5	1.293	1.201	8.0	1.375	1.2246	11	1.309	1.193
1 1/4"	1.660	11.5	11	11.5	1.6399	1.5369	11.5	1.638	1.546				11	1.650	1.534
1 1/2"	1.900	11.5	11	11.5	1.8788	1.7758	11.5	1.877	1.785	9.0	1.990	1.8577	11	1.882	1.766
2"	2.375	11.5	11	11.5	2.3528	2.2498	11.5	2.351	2.259				11	2.347	2.231
2 1/2"	2.875	8.0	11	8.0	2.8434	2.6930	8.0	2.841	2.708	7.5	3.068	2.9104	11	2.960	2.844
3"	3.500	8.0	11				8.0	3.467	3.334	6.0	3.623	3.5306	11	3.460	3.344
4"	4.500	8.0	11				8.0	4.466	4.333	4.0	5.010	4.7111	11	4.450	4.334
4 1/2"										4.0	5.760	5.4611			
5"	5.563	8.0	11				8.0	5.528	5.395	4.0	6.260	5.9602	11	5.450	5.359
6"	6.625	8.0	11				8.0	6.585	6.452	4.0	7.025	6.7252	11	6.450	6.359
8"	8.625	8.0													
10"	10.750	8.0													
12"	12.750	8.0													

## Normal Engagement Length of NPT Thread in Inches (A)

- Dimensions given do not allow for variations in tapping or threading.

Thread Size	Dimension A
1/8"	1/4"
1/4"	3/8"
3/8"	3/8"
1/2"	1/2"
3/4"	9/16"
1"	11/16"
1-1/4"	11/16"
1-1/2"	11/16"
2"	3/4"
2-1/2"	15/16"
3"	1"
4"	1-1/8"
5"	1-1/4"
6"	1-5/16"
8"	1-7/16"
10"	1-5/8"
12"	1-3/4"

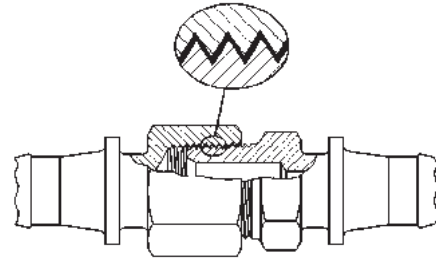


# Thread Sealing Tips

## Thread Sealing Tips

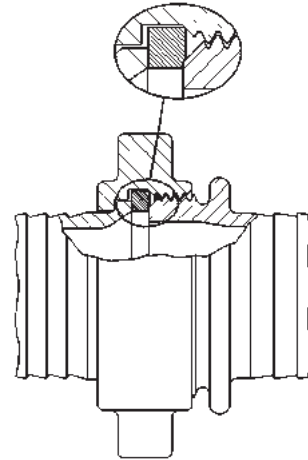
Sealing NPT threads can be an exasperating experience if certain techniques are not followed. The following tips will help alleviate many common problems in thread sealing:

1. Always use some type of sealant (tape or paste) and apply sealant to male thread only. If using a hydraulic sealant, allow sufficient curing time before system is pressurized.
  2. When using tape sealant, wrap the threads in a clockwise motion starting at the first thread and, as layers are applied, work towards the imperfect (vanishing) thread. If the system that the connection being made to cannot tolerate foreign matter (i.e. air systems), leave the first thread exposed and apply the tape sealant as outlined above.
  3. When using paste sealant, apply to threads with a brush, using the brush to work the sealant into the threads. Apply enough sealant to fill in all the threads all the way around.
  4. When connecting one stainless steel part to another stainless steel part that will require future disassembly, use a thread sealant that is designed for stainless steel (see page 787). This stainless steel thread sealant is also useful when connecting aluminum to aluminum that needs to be disconnected in the future. These two materials gall easily, and if the correct sealant is not used, it can be next to impossible to disassemble.
  5. When connecting parts made of dissimilar metals (i.e. steel and aluminum), standard tape or paste sealant performs satisfactory.
  6. For sizes 2" and below, tape or paste performs satisfactory. When using thread tape, four wraps (covering all necessary threads) is usually sufficient.
  7. For sizes 2½" and above, thread paste is recommended. If thread tape is used, eight wraps (covering all necessary threads) is usually sufficient. Apply more wraps if necessary.
  8. For stubborn to seal threads, apply a normal coating of thread paste followed by a normal layer of thread tape.
  9. For extremely stubborn to seal threads, apply a normal coating of thread paste followed by a single layer of gauze bandage followed by a normal layer of thread tape.
- Caution!**
- When this procedure is done, the connection becomes permanent. Extreme measures will be necessary to disconnect these components. *All other measures to seal the threads should be explored prior to use of this technique.*
10. Over-tightening threads can be just as detrimental as insufficient tightening. For sizes 2" and below, hand tighten the components and, with a wrench, tighten 3 full turns. For sizes 2½" and above, hand tighten the components and, with a wrench, tighten 2 full turns.



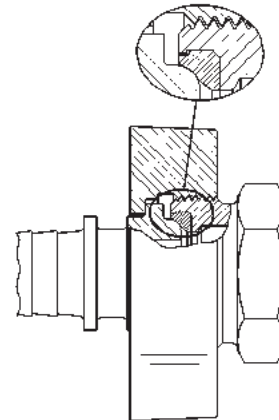
### Thread Seal Type

- A seal is obtained by applying a sealant to the male thread before engaging.
- The sealant is used to prevent spiral leakage.
- Thread tape or paste is the preferred sealant in this type of application.
- Please refer to page 787 for thread tape options.



### Washer Seal Type

- A seal is obtained when the male thread is tightened down onto the washer of the female assembly.
- The washer should be inspected regularly and replaced as needed to prevent leakage.
- Please refer to pages 302-303 and 762 for replacement washers.



### Mechanical Seal Type

- A seal is obtained through metal to metal contact or metal to seal contact, i.e. JIC couplings (page 414) have a metal to metal seal. Boss™ Ground Joint couplings (pages 111, 113) have a metal to seal contact, (shown above).
- The couplings should be retightened as needed to prevent leakage.

## Force Chart

- For hose ID's from 1¼" to 12" the force in pounds is greater than the PSI.
- Force is the dynamic power which is exported longitudinally through a hose, towards the ends. To arrive at the number of pounds of force exerted, you merely multiply the area of the ID times the working pressure being used.
- Area of a circle:  $r^2$  (PI [3.1416] times radius squared)
- Force = Area x Pressure

### Force (In Pounds)

Hose ID	25 PSI	50 PSI	75 PSI	100 PSI	150 PSI	200 PSI	250 PSI	300 PSI	500 PSI	1000 PSI
1/4"	1	2	4	5	7	10	12	15	25	49
3/8"	3	6	8	11	17	22	28	33	55	110
1/2"	5	10	15	20	29	39	49	59	98	196
3/4"	11	22	33	44	66	88	110	133	221	442
1"	20	39	59	79	118	157	196	236	393	785
1-1/4"	31	61	92	123	184	245	307	368	614	1227
1-1/2"	44	88	133	177	265	353	442	530	884	1767
2"	79	157	236	314	471	628	785	942	1571	3142
2-1/2"	123	245	368	491	736	982	1227	1473	2454	4909
3"	177	353	530	707	1060	1414	1767	2121	3534	7069
4"	314	628	942	1257	1885	2513	3142	3770	6283	12566
5"	491	982	1473	1964	2945	3927	4909	5891	9818	19635
6"	707	1414	2121	2827	4241	5655	7069	8482	14137	28274
8"	1257	2513	3770	5027	7540	10053	12566	15080	25133	50266
10"	1964	3927	5891	7854	11781	15708	19635	23562	39270	78540
12"	2827	5655	8482	11310	16965	22620	28274	33929	56549	113098

## Pressure - Temperature Ratings

- Ratings apply to all products covered by ANSI B16.5 valves conforming to the requirements of this standard must, in other respects, merit these ratings.
- All ratings are maximum allowable non-shock pressures (PSIG) at the tabulated temperatures (degree Fahrenheit). Temperatures are those on the inside of the pressure retaining structure.
- The use of these ratings requires gaskets conforming to the requirements of ANSI B16.5. The user is responsible for selecting gaskets of dimensions and materials to withstand the required bolt loading without injurious crushing, and suitable for the service conditions in all other respects.

Pressure Class	150	300
Test Pressure	425	1100
Service Temperature	Working Pressure	
-20 to 100	275	720
150	255	710
200	240	700
250	225	690
300	210	680
350	195	675
400	180	665
450	165	650
500	150	625
550	140	590
600	130	555
650	120	515
700	110	470
750	100	425



# Pipe Dimensions

## Dimensions of Seamless and Welded Steel Pipe ASA-B36.10 and B36.19

Nominal Pipe Size	OD (inches)	Pipe Schedule Wall Thickness												
		10	20	30	Stand.	40	60	Extra Strong	80	100	120	140	160	XXX Strong
1/8"	0.405	0.049	---	---	0.068	0.068	---	0.095	0.095	---	---	---	---	---
1/4"	0.540	0.065	---	---	0.088	0.088	---	0.119	0.119	---	---	---	---	---
3/8"	0.675	0.065	---	---	0.091	0.091	---	0.126	0.126	---	---	---	---	---
1/2"	0.840	0.083	---	---	0.109	0.109	---	0.147	0.147	---	---	---	0.188	0.294
3/4"	1.050	0.083	---	---	0.113	0.113	---	0.154	0.154	---	---	---	0.219	0.308
1"	1.315	0.109	---	---	0.133	0.133	---	0.179	0.179	---	---	---	0.250	0.358
1 1/4"	1.660	0.109	---	---	0.140	0.140	---	0.191	0.191	---	---	---	0.250	0.382
1 1/2"	1.900	0.109	---	---	0.145	0.145	---	0.200	0.200	---	---	---	0.281	0.400
2"	2.375	0.109	---	---	0.154	0.154	---	0.218	0.218	---	---	---	0.344	0.436
2 1/2"	2.875	0.120	---	---	0.203	0.203	---	0.276	0.276	---	---	---	0.375	0.552
3"	3.500	0.120	---	---	0.216	0.216	---	0.300	0.300	---	---	---	0.438	0.600
3 1/2"	4.000	0.120	---	---	0.226	0.226	---	0.318	0.318	---	---	---	---	---
4"	4.500	0.120	---	---	0.237	0.237	---	0.337	0.337	---	0.438	---	0.531	0.674
5"	5.563	0.134	---	---	0.258	0.258	---	0.375	0.375	---	0.500	---	0.625	0.750
6"	6.625	0.134	---	---	0.280	0.280	---	0.432	0.432	---	0.562	---	0.719	0.864
8"	8.625	0.148	0.250	0.277	0.322	0.322	0.406	0.500	0.500	0.594	0.719	0.812	0.906	0.873
10"	10.750	0.165	0.250	0.307	0.365	0.365	0.500	0.500	0.594	0.719	0.844	1.000	1.125	1.000
12"	12.750	0.180	0.250	0.330	0.375	0.406	0.562	0.500	0.688	0.844	1.000	1.125	1.312	1.000

## Definitive Cross-Reference from NPS to DN Specification Sizes

Nominal Pipe Size	DN	OD (inches)	Pipe Schedule Wall Thickness													
			5S	5	10S	10	20	30	40S	40	60	80S	80	100	120	160
1/8"	6	0.405	---	0.035	---	0.049	---	0.057	---	0.068	---	---	0.095	---	---	---
1/4"	8	0.540	---	0.049	---	0.065	---	0.073	---	0.088	---	---	0.119	---	---	---
1/2"	15	0.840	---	0.065	---	0.083	---	0.095	---	0.109	---	---	0.147	---	0.170	0.188
3/4"	20	1.050	---	0.065	---	0.083	---	0.095	---	0.113	---	---	0.154	---	0.170	0.219
1"	25	1.315	---	0.065	---	0.109	---	0.114	---	0.133	---	---	0.179	---	0.200	0.250
1 1/4"	32	1.660	---	0.065	---	0.109	---	0.117	---	0.140	---	---	0.191	---	0.215	0.250
1 1/2"	40	1.900	---	0.065	---	0.109	---	0.125	---	0.145	---	---	0.200	---	0.225	0.281
2"	50	2.375	---	0.065	---	0.109	---	---	---	0.154	---	---	0.218	---	0.250	0.344
2 1/2"	65	2.875	---	0.083	---	0.120	---	---	---	0.203	---	---	0.276	---	0.300	0.375
3"	80	3.500	---	0.083	---	0.120	---	---	---	0.216	---	---	0.330	---	0.350	0.438
4"	100	4.500	---	0.083	---	0.120	---	---	---	0.237	0.281	---	0.377	---	0.437	0.531
5"	125	5.563	---	0.109	---	0.134	---	---	---	0.258	---	---	0.375	---	0.500	0.625
6"	150	6.625	---	0.109	---	0.134	---	---	---	0.280	---	---	0.432	---	0.562	0.719
8"	200	8.625	---	0.109	---	0.148	0.250	0.277	---	0.322	0.406	---	0.500	0.593	0.718	0.906
10"	250	10.750	0.134	0.134	0.165	0.165	0.250	0.307	0.365	0.365	0.500	0.500	0.593	0.718	0.843	---
12"	300	12.750	0.156	0.165	0.180	0.180	0.250	0.330	0.375	0.406	0.500	0.500	0.687	0.843	1.000	---



## Fog Nozzles Flow Rate Chart

Part Number	Inlet Pressure		Straight Stream		30°		60°		90°	
	psi	kPa	gpm	lpm	gpm	lpm	gpm	lpm	gpm	lpm
<b>BFN100</b>	50	(345)	18	(68)	21	(79)	24	(91)	27	(102)
	75	(517)	22	(83)	25	(95)	28	(106)	32	(121)
	100	(690)	24	(91)	28	(106)	32	(121)	36	(136)
<b>BFN150</b>	50	(345)	45	(170)	50	(189)	55	(208)	60	(227)
	75	(517)	50	(189)	55	(208)	65	(246)	75	(284)
	100	(690)	55	(208)	60	(227)	75	(284)	85	(322)
<b>BFN250</b>	50	(345)	90	(341)	120	(454)	130	(492)	145	(549)
	75	(517)	100	(379)	140	(530)	150	(568)	180	(681)
	100	(690)	110	(416)	165	(625)	180	(681)	205	(776)
<b>BRN150</b>	50	(345)	45	(170)	50	(189)	55	(208)	60	(227)
	75	(517)	50	(189)	55	(208)	65	(246)	75	(284)
	100	(690)	55	(208)	60	(227)	75	(284)	93	(352)
<b>BFNE150</b>	100	(690)	n/a	n/a	---	---	---	---	91	(345)
<b>HFN100</b>	100	(690)	25	(95)	---	---	---	---	---	---
<b>HFN150</b>	100	(690)	---	---	---	---	---	---	86	(326)
<b>HPFN150</b>	275	(1040)	---	---	---	---	---	---	130	(492)

## Expansion Ring and Gasket Guide

Coupling #	Swivel Washer	Tail Washer	Expansion Ring Part #
<b>D15193 &amp; D15193F</b>	<b>SW150</b>	<b>DTW150</b>	<b>ER15125</b>
<b>D15206F</b>	<b>SW150</b>	<b>G12014</b>	<b>ER15125</b>
<b>D16187 &amp; D16187F</b>	<b>SW150</b>	<b>DTW150</b>	<b>ER15125</b>
<b>D16193 &amp; D16193F</b>	<b>SW150</b>	<b>DTW150</b>	<b>ER15125</b>
<b>D16206 &amp; D16206F</b>	<b>SW150</b>	<b>G12014</b>	<b>ER15125</b>
<b>D253 and D253F</b>	<b>SW250</b>	<b>DTW250</b>	<b>ER27150</b>
<b>D26287F</b>	<b>SW250</b>	<b>DTW250</b>	<b>ER27150</b>
<b>D263 &amp; D263F</b>	<b>SW250</b>	<b>DTW250</b>	<b>ER27150</b>
<b>MD16181T</b>	<b>n/a</b>	<b>STW150</b>	<b>ER15125</b>
<b>MD20231T</b>	<b>n/a</b>	<b>special</b>	<b>special</b>
<b>MD26287T</b>	<b>n/a</b>	<b>DTW250</b>	<b>ER27150</b>
<b>MS16168T</b>	<b>n/a</b>	<b>STW150</b>	<b>ER15125</b>
<b>MS16175T</b>	<b>n/a</b>	<b>STW150</b>	<b>ER15125</b>
<b>MS20225T</b>	<b>n/a</b>	<b>special</b>	<b>special</b>
<b>MS26268T</b>	<b>n/a</b>	<b>STW250</b>	<b>ER27150</b>
<b>RD15193 &amp; RD15193F</b>	<b>SW150</b>	<b>DTW150</b>	<b>ER15125</b>
<b>RD15206 &amp; RD15206F</b>	<b>SW150</b>	<b>G12014</b>	<b>ER15125</b>
<b>RD253 &amp; RD253F</b>	<b>SW250</b>	<b>DTW250</b>	<b>ER27150</b>
<b>RH15168 &amp; RH15168F</b>	<b>SW150</b>	<b>RTW150</b>	<b>ER1575</b>
<b>RH16168F &amp; RH16168F</b>	<b>SW150</b>	<b>RTW150</b>	<b>ER1575</b>
<b>RS15175 &amp; RS15175F</b>	<b>SW150</b>	<b>STW150</b>	<b>ER15125</b>
<b>RS15181 &amp; RS15181F</b>	<b>SW150</b>	<b>STW150</b>	<b>ER1510</b>
<b>RS25281 &amp; RS25281F</b>	<b>SW250</b>	<b>STW250</b>	<b>ER27125</b>
<b>RS25287</b>	<b>SW250</b>	<b>STW250</b>	<b>ER27150</b>
<b>S15175 &amp; S15175F</b>	<b>SW150</b>	<b>RTW150</b>	<b>ER15125</b>
<b>S15181 &amp; S15181F</b>	<b>SW150</b>	<b>RTW150</b>	<b>ER1510</b>
<b>S16168 &amp; S16168F</b>	<b>SW150</b>	<b>STW150</b>	<b>ER15125</b>
<b>S16175 &amp; S16175F</b>	<b>SW150</b>	<b>STW150</b>	<b>ER15125</b>
<b>S16181 &amp; S16181F</b>	<b>SW150</b>	<b>STW150</b>	<b>ER15125</b>
<b>S25281 &amp; S25281F</b>	<b>SW250</b>	<b>STW250</b>	<b>ER27125</b>
<b>S25287 &amp; S25287F</b>	<b>SW250</b>	<b>STW250</b>	<b>ER27150</b>
<b>S26268 &amp; S26268F</b>	<b>SW250</b>	<b>STW250</b>	<b>ER27150</b>
<b>S26275 &amp; S26275F</b>	<b>SW250</b>	<b>STW250</b>	<b>ER27150</b>
<b>S26281 &amp; S26281F</b>	<b>SW250</b>	<b>STW250</b>	<b>ER27150</b>



# Replacement Washers for Hydrant Adapters and Fire Hose Nozzles

The "sw" swivel washer on page 654 replaces the gaskets in the following products:

- hydrant adapters: HA, RHA, AHA
- cam and groove hydrant adapter
- female x male hex nipples (FM series)
- brass fog nozzles (BFN series)
- brass electrical all-fog nozzles (BFNE series)
- heavy duty brass industrial fog nozzles (HFN series)
- higher pressure brass industrial fog nozzles (HPFN series)
- brass rack nozzles (BRN series)
- U/L play pipe
- tip for U/L play pipe
- aluminum ball shut off (ACPSO and FBSO series)

The "CFG" gaskets on page 628 replace the following:

- constant flow thermoplastic fog nozzles (CFB)
- blue thermoplastic refinery fog nozzles (RNB)

The "FNG" gaskets on page 629 replace the following:

- thermoplastic fog nozzles (PFNB, FNB, FN, SL)
- thermoplastic fog nozzles for electrical fires (FNBE)

The gaskets for the following parts have to special ordered, please contact customer service at 877.712.6179:

- Coast Guard approved water fog nozzle
- US Coast Guard approved fog nozzle
- aluminum tip for ball shut-off nozzles
- monitor nozzle
- steel FirePro nozzle
- Master Stream nozzle

## Replacement Gasket Chart

Size	FNPT Threads <sup>1</sup>	FNST Threads	FNPSH Threads
1½"	---	<b>SW150</b>	<b>SW150</b>
2"	---	---	<b>SW200</b>
2½"	---	<b>SW250</b>	<b>SW250</b>
3"	---	<b>SW300F</b>	<b>SW300F</b>
4"	---	<b>SW400F</b>	<b>SW400F</b>
4½"	---	<b>SW450F</b>	---
5"	---	<b>SW500F</b>	---
6"	---	<b>SW600F</b>	---

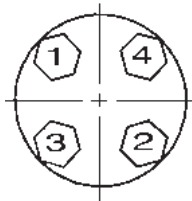
<sup>1</sup> FNPT threads - no gasket/seal by threads

## Brass Plain Hose Nozzle Gaskets

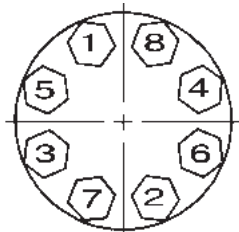
Nozzle	Gasket
<b>BN6</b>	<b>KRW5</b>
<b>BN7</b>	<b>KRW5</b>
<b>BN10</b>	<b>KRW10</b>
<b>BN12</b>	<b>KRW15</b>
<b>BN15</b>	<b>KRW20</b>
<b>BN20</b>	<b>SW200</b>
<b>BN25</b>	<b>KRW35</b>
<b>BN10F</b>	<b>SW100F</b>
<b>BN15F</b>	<b>SW150</b>
<b>BN25F</b>	<b>SW250</b>
<b>BN15NYFD</b>	<b>SW150</b>
<b>BN25NYFD</b>	<b>SW250</b>

## Flange Information

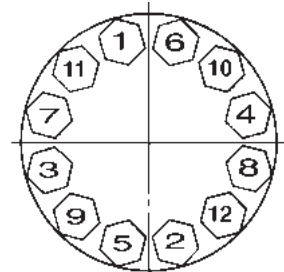
### Flange Bolt Tightening Sequence (Use appropriate gaskets and bolts)



4 Bolt



8 Bolt

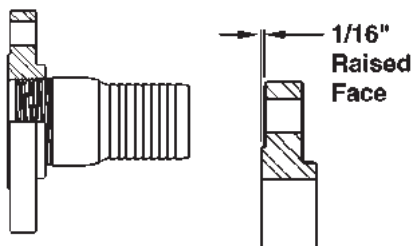


12 Bolt

See page 839 for drilling dimensions

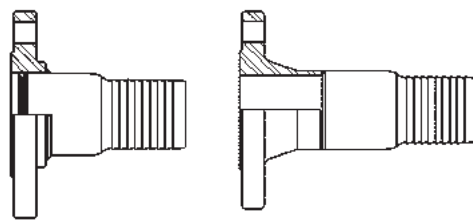
## Flange Diagrams

### Threaded Applications



Threaded Flange with raised face

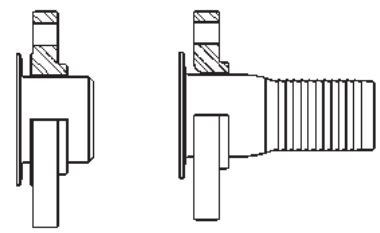
### Welded Applications



Slip-On Flange with raised face

Weld Neck Flange with raised face

### Floating Applications (flange free to swivel)



Slip-On Flange with raised face

Lap-Joint Flange

# Flange Dimensions

## Dimensions of 150 LB. ASA Steel Flanges

Nominal Pipe Size	Flange OD	Thickness <sup>1</sup>	OD of Raised Face	Diameter of Bolt Circle	Number of Bolts	Diameter of Bolt Holes	Diameter of Bolts
1"	4-1/4"	9/16"	2"	3-1/8"	4	5/8"	1/2"
1-1/4"	4.62"	5/8"	2-1/2"	3-1/2"	4	5/8"	1/2"
1-1/2"	5"	11/16"	2-7/8"	3-7/8"	4	5/8"	1/2"
2"	6"	3/4"	3-5/8"	4-3/4"	4	3/4"	5/8"
2-1/2"	7"	7/8"	4-1/8"	5-1/2"	4	3/4"	5/8"
3"	7-1/2"	15/16"	5"	6"	4	3/4"	5/8"
4"	9"	15/16"	6-3/16"	7-1/2"	8	3/4"	5/8"
5"	10"	15/16"	7-5/16"	8-1/2"	8	7/8"	3/4"
6"	11"	1"	8-1/2"	9-1/2"	8	7/8"	3/4"
8"	13-1/2"	1-1/8"	10-5/8"	11-3/4"	8	7/8"	3/4"
10"	16"	1-3/16"	12-3/4"	14-1/4"	12	1"	7/8"
12"	19"	1 1/4"	15"	17"	12	1"	7/8"

<sup>1</sup> 1/16" raised face is included in the thickness

## Dimensions of Tank Truck Flanges (TTMA Drilling)

Nominal Pipe Size	Flange OD	Thickness <sup>1</sup>	Diameter of Bolt Circle	Number of Bolts	Diameter of Bolt Holes	Diameter of Bolts
3"	5-5/8"	3/8"	4-7/8"	8	7/16"	3/8"
4"	6-5/8"	3/8"	5-7/8"	8	7/16"	3/8"
6"	8-7/8"	3/8"	8-1/8"	12	7/16"	3/8"

<sup>1</sup> listed thickness is for aluminum flanges

# ANSI Flange Dimensions

### 150 lb. Standard

Nominal Pipe Size	Outside Diameter Flange	Flange Thickness	Drill Template		
			Number Holes	Diameter Bolts	Bolt Circle
1/2"	3-1/2"	7/16"	4	1/2"	2-3/8"
3/4"	3-7/8"	1/2"	4	1/2"	2-3/4"
1"	4-1/4"	9/16"	4	1/2"	3-1/8"
1-1/4"	4-5/8"	5/8"	4	1/2"	3-1/2"
1-1/2"	5"	11/16"	4	1/2"	3-7/8"
2"	6"	3/4"	4	5/8"	4-3/4"
2-1/2"	7"	7/8"	4	5/8"	5-1/2"
3"	7-1/2"	15/16"	4	5/8"	6"
3-1/2"	8-1/2"	15/16"	8	5/8"	7"
4"	9"	15/16"	8	5/8"	7-1/2"
5"	10"	15/16"	8	3/4"	8-1/2"
6"	11"	1"	8	3/4"	9-1/2"
8"	13-1/2"	1-1/8"	8	3/4"	11-3/4"
10"	16"	1-3/16"	12	3/4"	14-1/4"
12"	19"	1-1/4"	12	3/4"	17"

### 300 lb. Standard

Nominal Pipe Size	Outside Diameter Flange	Flange Thickness	Drill Template		
			Number Holes	Diameter Bolts	Bolt Circle
1/2"	3-3/4"	9/16"	4	1/2"	2-5/8"
3/4"	4-5/8"	5/8"	4	5/8"	3-1/4"
1"	4-7/8"	11/16"	4	5/8"	3-1/2"
1-1/4"	5-1/4"	3/4"	4	5/8"	3-7/8"
1-1/2"	6-1/8"	13/16"	4	3/4"	4-1/2"
2"	6-1/2"	7/8"	8	5/8"	5"
2-1/2"	7-1/2"	1"	8	3/4"	5-7/8"
3"	8-1/4"	1-1/8"	8	3/4"	6-5/8"
3-1/2"	9"	1-3/16"	8	3/4"	7-1/4"
4"	10"	1-1/4"	8	3/4"	7-7/8"
5"	11"	1-3/8"	8	3/4"	9-1/4"
6"	12-1/2"	1-7/16"	12	3/4"	10-5/8"
8"	15"	1-5/8"	12	7/8"	13"
10"	17-1/2"	1-7/8"	16	1"	15-1/4"
12"	20-1/2"	2"	16	1-1/8"	17-3/4"

### 600 lb. Standard

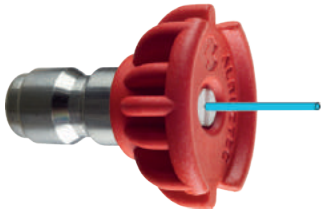
Nominal Pipe Size	Outside Diameter Flange	Flange Thickness	Drill Template		
			Number Holes	Diameter Bolts	Bolt Circle
1/2"	3-3/4"	9/16"	4	5/8"	2-5/8"
3/4"	4-5/8"	5/8"	4	3/4"	3-1/4"
1"	4-7/8"	11/16"	4	3/4"	3-1/2"
1-1/4"	5-1/4"	13/16"	4	3/4"	3-7/8"
1-1/2"	6-1/8"	7/8"	4	7/8"	4-1/2"
2"	6-1/2"	1"	8	3/4"	5"
2-1/2"	7-1/2"	1-1/8"	8	7/8"	5-7/8"
3"	8-1/4"	1-1/4"	8	7/8"	6-5/8"
3-1/2"	9"	1-3/8"	8	1"	7-1/4"
4"	10-7/5"	1-1/2"	8	1"	8-1/2"
5"	13"	1-3/4"	8	1-1/8"	10-1/2"
6"	14"	1-7/8"	12	1-1/8"	11-1/2"
8"	16-1/2"	2-3/16"	12	1-1/4"	13-3/4"
10"	20"	2-1/2"	16	1-3/8"	17"
12"	22"	2-5/8"	20	1-3/8"	19-1/4"

### 900 lb. Standard

Nominal Pipe Size	Outside Diameter Flange	Flange Thickness	Drill Template		
			Number Holes	Diameter Bolts	Bolt Circle
1/2"	4-3/4"	7/8"	4	7/8"	3-1/4"
3/4"	5-1/8"	1"	4	7/8"	3-1/2"
1"	5-7/8"	1-1/8"	4	1"	4"
1-1/4"	6-1/4"	1-1/8"	4	1"	4-3/8"
1-1/2"	7"	1-1/4"	4	1-1/8"	4-7/8"
2"	8-1/2"	1-1/2"	8	1"	6-1/2"
2-1/2"	9-5/8"	1-5/8"	8	1-1/8"	7-1/2"
3"	9-1/2"	1-1/2"	8	1"	7-1/2"
3-1/2"	11-1/2"	1-3/4"	8	1-1/4"	9-1/4"
4"	13-3/4"	2"	8	1-3/8"	11"
6"	15"	2-3/16"	12	1-1/4"	12-1/2"
8"	18-1/2"	2-1/2"	12	1-1/2"	15-1/2"
10"	21-1/2"	2-3/4"	16	1-1/2"	18-1/2"
12"	24"	3-1/8"	20	1-1/2"	21"

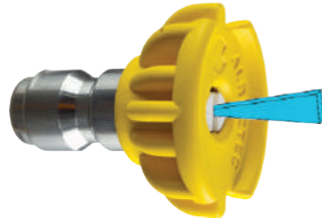


## Spray Nozzle Selection Guidelines



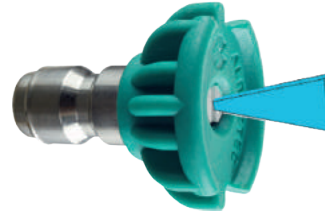
**RED 0°  
BLASTING NOZZLE**

- Removing caked on mud from heavy construction, farm or lawn equipment.
- Cleaning tar, glue or stubborn stains from concrete
- Cleaning overhead areas
- Removing rust from steel and oxidation from aluminum



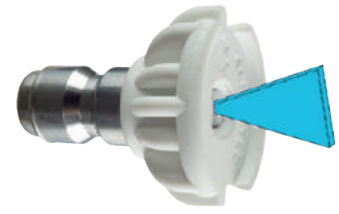
**YELLOW 15°  
STRIPPING NOZZLE**

- Removing paint from wood, masonry or metal
- Removing grease or dirt from equipment
- Removing heavy mildew stains
- Removing marine growth from boats and marine equipment
- Removing rust from steel and oxidation from aluminum



**GREEN 25°  
CLEANING NOZZLE**

- General cleaning of dirt, mud and grime
- Cleaning roofs, gutters and downspouts
- Removing light mildew stains
- Removing algae and bacteria build-up from pools
- Rinsing surfaces in preparation for painting



**WHITE 40°  
WASHING NOZZLE**

- Light cleaning and washing
- Washing and rinsing of automobiles and boats
- Cleaning roofs, windows, patios and driveways

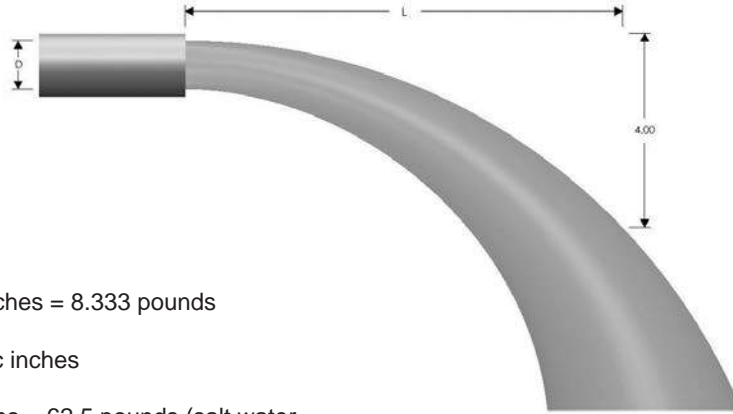


Caution: The spray force from these nozzles can cause injuries if pointed directly at yourself or others. Before observing directly always disconnect from spray wand. Make sure spray nozzle is properly locked in place with its quick coupler, if the collar is not in the locking position, the nozzle will become a dangerous projectile. The O-ring from your quick coupler socket will also be blown out of place.

## Nozzle Spray Chart

Nozzle Orifice Size	→ G a l l o n s  P e r  M i n u t e →	1000	1200	1250	1300	1500	1800	2000	2100	2200	2300	2400	2500	3000	3200	3500	4000	5000
		PSI	PSI	PSI	PSI	PSI	PSI	PSI	PSI	PSI	PSI	PSI	PSI	PSI	PSI	PSI	PSI	PSI
3.0		1.50	1.64	1.68	1.71	1.84	2.01	2.12	2.17	2.22	2.27	2.32	2.37	2.60	2.68	2.81	3.00	3.35
3.5		1.75	1.92	1.96	2.00	2.14	2.35	2.47	2.54	2.60	2.65	2.71	2.77	3.03	3.13	3.27	3.50	3.91
4.0		2.00	2.19	2.24	2.28	2.45	2.68	2.83	2.90	2.97	3.03	3.10	3.16	3.46	3.58	3.74	4.00	4.47
4.5		2.25	2.46	2.52	2.57	2.76	3.02	3.18	3.26	3.34	3.41	3.49	3.56	3.90	4.02	4.21	4.50	5.03
5.0		2.50	2.74	2.80	2.85	3.06	3.35	3.54	3.62	3.71	3.79	3.87	3.95	4.33	4.47	4.68	5.00	5.59
5.5		2.75	3.01	3.07	3.14	3.37	3.69	3.89	3.99	4.08	4.17	4.26	4.35	4.76	4.92	5.14	5.50	6.15
6.5		3.25	3.56	3.63	3.71	3.98	4.36	4.60	4.71	4.82	4.93	5.03	5.14	5.63	5.81	6.08	6.50	7.27
8.0		4.00	4.38	4.47	4.56	4.90	5.37	5.66	5.80	5.93	6.07	6.20	6.32	6.93	7.16	7.48	8.00	8.94
12.0		6.00	6.57	6.71	6.84	7.35	8.05	8.49	8.69	8.90	9.10	9.30	9.49	10.39	10.73	11.22	12.00	13.42
15.0		7.50	8.22	8.39	8.55	9.19	10.06	10.61	10.87	11.12	11.37	11.62	11.86	12.99	13.42	14.03	15.00	16.77

## Water Data and Formulas



1 gallon water = 231 cubic inches = 8.333 pounds

1 pound of water = 27.7 cubic inches

1 cubic foot water = 7.5 gallons = 62.5 pounds (salt water weighs approximately 64.3 pounds per cubic foot)

Pounds per square inch at bottom of a column of water = height of column in feet x .434

1 miner's inch = 9 to 12 gallons per minute

Horsepower to raise water

If pumping liquid other than water, multiply the gallons per minute below by the liquids specific gravity

$$\text{Horsepower} = \frac{\text{gallons per minute} \times \text{total head in feet}}{3960}$$

Gallons per minute through a pipe

GPM = .0408 x pipe diameter inches<sup>2</sup> x feet/minute water velocity

Weight of water in a pipe

Pounds water = pipe length feet x pipe diameter inches<sup>2</sup> x .34

L Distance (inches)	Gallons per Minute Discharge for a Given Nominal Pipe Diameter D (inches)				
	5	6	8	10	12
5	163	---	---	---	---
6	195	285	---	---	---
7	228	334	580	---	---
8	260	380	665	1060	---
9	293	430	750	1190	1660
10	326	476	830	1330	1850
11	360	525	915	1460	2020
12	390	570	1000	1600	2220
13	425	620	1080	1730	2400
14	456	670	1160	1860	2590
15	490	710	1250	2000	2780
16	520	760	1330	2120	2960
17	550	810	1410	2260	3140
18	590	860	1500	2390	3330
19	620	910	1580	2520	3500
20	650	950	1660	2660	3700
21	685	1000	1750	2800	3890
22	720	1050	1830	2920	4060
23	750	1100	1910	3060	4250
24	---	1140	2000	3200	4440

## Water Discharge Table

This table is intended for general reference and general applicability only, and should not be relied upon as the sole or precise source of information available with respect to the subject covered. The user should also refer to and follow manufacturer's specific instructions and recommendations with regard to such information, where they exist.

### Flow of water through 100 foot lengths of hose, Straight-Smooth Bore - US gallons per minute

PSI at Hose Inlet	Nominal Hose ID Diameters - Inches							
	1"	1¼"	1½"	2"	2½"	3"	4"	6"
20	26	47	76	161	290	468	997	2895
30	32	58	94	200	360	582	1240	3603
40	38	68	110	234	421	680	1449	4209
50	43	77	124	264	475	767	1635	4748
60	47	85	137	291	524	846	1804	5239
75	53	95	154	329	591	955	2035	5910
100	62	112	180	384	690	1115	2377	6904
125	70	126	203	433	779	1258	2681	7788
150	77	139	224	478	859	1388	2958	8593
200	90	162	262	558	1004	1621	3455	10038

Figures are to be used as a guide since the hose inside diameter tolerance, the type of fittings used, and orifice restriction all influence the actual discharge. Thus, variations plus or minus from the table may be obtained in actual service.

## Conversion Table - Feet of Water to Inches of Mercury

Feet of Water	1	2	4	6	8	10	12	14	16	20	22	24	26	28	30	32	34
Inches of Mercury	0.9	1.8	3.5	5.3	7.1	8.8	10.6	12.4	14.1	17.7	19.4	21.2	23.0	24.8	26.5	28.3	30.0

## Feet Head of Water to PSI

- One foot of water at 62°F = 0.433 PSI, to find the PSI for any feet head not given in the table, multiply the feet head by 0.433.

Feet Head	Pounds per Square Inch	Feet Head	Pounds per Square Inch	Feet Head	Pounds per Square Inch	Feet Head	Pounds per Square Inch
1	0.43	15	6.50	100	43.31	250	108.27
2	0.87	20	8.66	110	47.64	300	129.93
3	1.30	25	10.83	120	51.97	350	151.58
4	1.73	30	12.99	130	56.30	400	173.24
5	2.17	40	17.32	140	60.63	500	216.55
6	2.60	50	21.65	150	64.96	600	259.85
7	3.03	60	25.99	160	69.29	700	303.16
8	3.46	70	30.32	170	73.63	800	346.47
9	3.90	80	34.65	180	77.96	900	389.78
10	4.33	90	38.98	200	86.62	1000	433.00

## Maximum Recommended Air Flow (SCFM) Through ANSI Standard Weight Schedule 40 Metal Pipe

- Flow values in the table below are based on a pressure drop of 10% of the applied pressure per 100 feet of pipe for 1/8", 1/4", 3/8", and 1/2" pipe sizes; and a pressure drop of 5% of the applied pressure per 100 feet of pipe for 3/4", 1", 1 1/4", 2", 2 1/2", 3" pipe sizes. The table gives recommended flows for pipe sizes at listed pressures and should be used to determine appropriate piping for air systems.

Applied Pressure PSI	Nominal Standard Pipe Size										
	1/8"	1/4"	3/8"	1/2"	3/4"	1"	1 1/4"	1 1/2"	2"	2 1/2"	3"
5	0.5	1.2	2.7	4.9	6.6	13	27	40	80	135	240
10	0.8	1.7	3.9	7.7	11.0	21	44	64	125	200	370
20	1.3	3.0	6.6	13.0	18.5	35	75	110	215	350	600
40	2.5	5.5	12.0	23.0	34.0	62	135	200	385	640	1100
60	3.5	8.0	18.0	34.0	50.0	93	195	290	560	900	1600
80	4.7	10.5	23.0	44.0	65.0	120	255	380	720	1200	2100
100	5.8	13.0	29.0	54.0	80.0	150	315	470	900	1450	2600
150	8.6	20.0	41.0	80.0	115.0	220	460	680	1350	2200	3900
200	11.5	26.0	58.0	108.0	155.0	290	620	910	1750	2800	5000
250	14.5	33.0	73.0	135.0	200.0	370	770	1150	2200	3500	6100

## Air Supply Requirements (operating pressure - 90 PSI)

Tool	Class	Typical Air Consumption (CFM)	Hose Size (inches)		
			0-10 ft.	10-50 ft.	50-200 ft.
Paving Breakers	25 lb.	45	1/2	1/2	3/4
	35 lb.	50	1/2	3/4	3/4
	60 lb.	65	1/2	3/4	1
	80 lb.	80	3/4	3/4	1
Claydiggers		45	1/2	1/2	3/4
Hand Drills	8 lb.	20	3/8	3/8	1/2
	15 lb.	32	3/8	1/2	1/2
Rock (Sinker) Drills	45 lb.	105	3/4	3/4	1
	55 lb.	130	3/4	1	1
Tampers	5" butt	20	3/8	1/2	1/2
	6" butt	30	1/2	1/2	3/4
Sump Pump Sludge Pump	3 HP	100	3/4	3/4	1
	Ejector	90	1	1	1
Vibrators	2 1/2"	60	1	1	1
	3"	60	1	1	1
Chipping Hammers		25	3/8	1/2	1/2
Impact Wrenches	3/8" sq. dr.	10	5/16	3/8	3/8
	1/2"	15	5/16	3/8	1/2
	3/4"	25	3/8	1/2	1/2
	1"	50	1/2	3/4	3/4
Drills	1/4" - 1/2"	22	3/8	3/8	1/2
Grinders	die/burr	20	3/8	3/8	1/2
	small angle	20	3/8	3/8	1/2
	3 HP vertical	75	1/2	3/4	1

## CFM vs PSI for Nozzles

- PSI = pounds/square inch
- CFM = cubic feet/minute

Gauge PSI	CFM Free Air Flow @ Nozzle Diameter (Inch)							
	1/64	1/32	3/64	1/16	3/32	1/8	3/16	1/4
1	.03	.11	.2	.4	1.0	1.7	3.9	6.8
5	.06	.24	.5	1.0	2.2	3.9	8.7	15.4
10	.08	.34	.8	1.4	3.1	5.4	12.3	21.8
15	.10	.42	.9	1.6	3.7	6.6	15.0	26.7
20	.12	.48	1.1	1.9	4.2	7.7	17.1	30.8
25	.13	.54	1.2	2.2	4.7	8.6	19.4	34.5
30	.16	.63	1.4	2.5	5.6	10.0	22.5	40.0
40	.19	.77	1.7	3.1	6.8	12.3	27.5	49.1
50	.22	.91	2.0	3.6	8.2	14.5	32.8	58.2
60	.26	1.05	2.3	4.2	9.4	16.8	37.5	67.0
70	.29	1.19	2.7	4.8	10.7	19.0	43.0	76.0
80	.33	1.33	3.0	5.3	11.9	21.2	47.5	85.0
90	.36	1.47	3.3	5.9	13.1	23.5	52.5	94.0
100	.40	1.61	3.7	6.4	14.5	25.8	58.3	103.0
110	.43	1.76	3.9	7.0	15.7	28.0	63.0	112.0
120	.47	1.90	4.30	7.6	17.0	30.2	68.0	121.0
130	.50	2.04	4.6	8.1	18.2	32.4	73.0	130.0
140	.54	2.17	4.9	8.7	19.5	34.5	78.0	138.0
150	.57	2.33	5.2	9.2	20.7	36.7	83.0	147.0
175	.66	2.65	5.9	10.6	23.8	42.1	95.0	169.0
200	.76	3.07	6.9	12.2	27.5	48.7	110.0	195.0

## Formulas

### Air Velocity in a Pipe

Using the equation and typical values of V, D and L explained to the right approximate values of P are computed as follows:

Velocity Ft/Sec	Pipe Diameter in Inches, 10' long				
	1	2	4	6	10
1	.0004	.0002	.0001	.00007	.00004
2	.0016	.0008	.0004	.00030	.00016
5	.0100	.0050	.0025	.00170	.0010
10	.0400	.0200	.0100	.00670	.0040
15	.0900	.0450	.0225	.01500	.0090
20	.1600	.0800	.0400	.02700	.0160
25	.2500	.1250	.0625	.04170	.0250
30	.3600	.1800	.0900	.06000	.0360

$$V = \sqrt{\frac{25,000 DP}{L}}$$

- V = air velocity in feet per second
- D = pipe inside diameter in inches
- L = length of pipe in feet
- P = pressure loss due to air friction in ounces/square inch

formula from B.F.Sturtevant Company

### Air Volume Discharged from Pipe

- CFM = air volume in cubic feet per minute
- V = air velocity in feet per second as determined in the equation at the top of this page
- A = cross section area of pipe in square feet

$$CFM = 60VA$$

### Boyle's Law

If temperature is kept constant, the volume of a given mass of gas is inversely proportional to the pressure which is exerted upon it.

$$\frac{\text{Initial Pressure}}{\text{Final Pressure}} = \frac{\text{Final Volume}}{\text{Initial Volume}}$$

## Suggested Pipe Size for Compressed Air Flow at 100 PSI Length of Run, Feet

SCFM Air Flow	25	50	75	100	150	200	300	500	1000	Compressor HP
4	½	½	½	½	½	½	½	¾	¾	1
12	½	½	½	¾	¾	½	¾	1	1	3
20	¾	¾	¾	¾	1	¾	1	1¼	1¼	5
30	¾	¾	1	1	1	1	1¼	1¼	1¼	7½
40	¾	1	1	1	1¼	1	1¼	1½	1½	10
60	1	1	1¼	1¼	1¼	1¼	1½	1½	2	15
80	1	1¼	1¼	1¼	1½	1¼	1½	2	2	20
100	1¼	1¼	1½	1½	1½	1½	2	2	2½	25
120	1¼	1½	1½	1½	2	1½	2	2½	2½	30
160	1¼	1½	1½	2	2	1½	2½	2½	3	40
200	1½	2	2	2	2	2	2½	3	3	50
240	1½	2	2	2	2½	2	2½	3	3	60
300	2	2	2	2½	2½	2	3	3	3½	75
400	2	2½	2½	2½	3	2½	3	3½	4	100
500	2	2½	2½	3	3	2½	3½	3½	4	125

On a compressed air distribution system, pressure losses greater than 3% are considered excessive, and a well-designed system having a steady rate of air flow is usually designed for not more than a 1% loss or 1 PSI for a 100 PSI system. The pipe size depends not only on the volume of air flow but how far it must be carried. To hold the distribution loss to 1 PSI, pipes of larger diameter must be used on longer runs to carry the same flow that can be handled by smaller pipes on shorter runs.

Figures in the body of the chart above are pipe sizes recommended on a 100 PSI system to carry air with less than 1 PSI loss. When measuring lengths of runs, add 5' of length for each pipe fitting. If carrying 120 PSI pressure these sizes will carry slightly more air than shown, or pressure loss will be slightly less than 1 PSI. If carrying 80 PSI pressure these pipes will carry slightly less air at 1 PSI pressure loss than shown in the chart.

The left column of the chart shows the volume of air to be carried. It is difficult to estimate the air flow volume to be carried in each leg of the distribution system. This varies with the application. On some applications, like in a large plant with many legs in the distribution system serving dozens of air-operated machines, the air usage may be at a fairly steady rate. Other applications, usually on small systems, may have to carry a high surge of air if several machines happen to be operated at the same time. Then there may be a period with almost no flow.

To make a realistic estimate of air flow volume, the far right column of the chart showing compressor HP may be used. On steady pumping, a compressor will produce a minimum of 4 SCFM air flow for each 1 HP of capacity. This is a conservative figure, as most compressors will produce 5 or 6 SCFM.

For example, a 25 HP compressor will produce at least 100 SCFM of air as shown in the far left column on the same line as 25 HP.

excerpted from *Industrial Fluid Power*, Volume 1, third edition, 1984



## Air Receiver Capacities

Tank Size (inches)	Tank Size (gallons)	Gauge Pressure on Tank (PSI)			
		0	100	150	200
Cubic Feet Tank Capacity					
12 x 24	10	1.3	11	15	19
14 x 36	20	2.7	21	30	39
16 x 36	30	4.0	31	45	59
20 x 48	60	8.0	62	90	117
20 x 63	80	10.7	83	120	156
24 x 68	120	16.0	125	180	234
30 x 84	240	32.0	250	360	467

If your tank is not listed in the table to the left, use the following formula to calculate the tank size (gallons) and then estimate the cubic feet tank capacity at a given pressure from the table above.

$$\text{Tank Gallons} = \frac{\text{Tank Height} \times (\text{Tank Radius})^2}{73.53}$$

Height and Radius are in inches

## Air Hose Friction

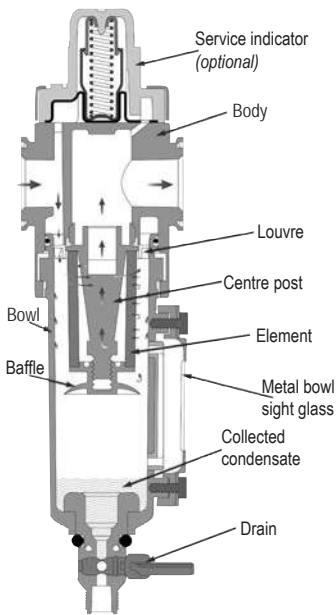
- PSI = pressure in pounds/square inch
- CFM = air flow in cubic feet/minute

Hose Size (inches)	CFM thru 50' Hose	Gauge Pressure - Pounds/sq inch			
		50	70	90	110
PSI Loss Over 50' Hose Length					
1/2"	20	1.8	1.0	.8	.6
	30	5.0	3.4	2.4	2.0
	40	10.1	7.0	5.4	4.3
	50	18.1	12.4	9.5	7.6
	60	+	20.0	14.8	12.0
	70	+	28.4	22.0	17.6
	80	+	+	30.5	24.6
	90	+	+	41.0	33.3
	10	+	+	+	44.5
	110	+	+	+	+
3/4"	20	.04	.2	.2	.1
	30	.08	.5	.4	.3
	40	1.5	.9	.7	.5
	50	2.4	1.5	1.1	.9
	60	3.5	2.3	1.6	1.3
	70	4.4	3.2	2.3	1.8
	80	6.5	4.2	3.1	2.4
	90	8.5	5.5	4.0	3.1
	100	11.4	7.0	5.0	3.9
	110	14.2	8.8	6.2	4.9
	120	+	11.0	7.5	5.9
	130	+	+	9.0	7.1
1"	20	.1	0	0	0
	30	.2	.1	.1	.1
	40	.3	.2	.2	.2
	50	.5	.4	.3	.2
	60	.8	.5	.4	.3
	70	1.1	.7	.6	.4
	80	1.5	1.0	.7	.6
	90	2.0	1.3	.9	.7
	100	2.6	1.6	1.2	.9
	110	3.5	2.0	1.4	1.1
	120	4.8	2.5	1.7	1.3
	130	7.0	3.1	2.0	1.5

+ pressure loss is too great and therefore the combination of hose size, CFM, and gauge pressure is not recommended. Gauge pressures the indicated air pressure in pounds/square inch, at the source (i.e. the air compressor receiver tank)

## Simple Filter Troubleshooting

General Purpose Filter

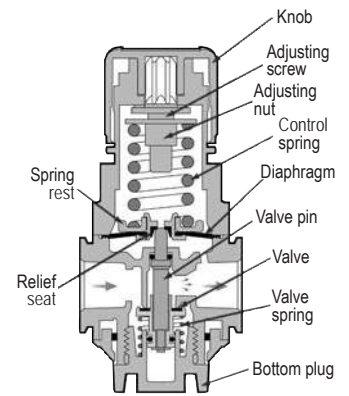


Malfunction	Possible cause	Remedy
Excessive pressure drop	Micron rating of element too small. Filter element blocked. Flow requirement greater than filter capacity.	Use larger micron element size for application. 1. Clean element (not coalescing element). 2. Replace with new element. Use larger filter.
Dirt passing through filter	Element seals missing or defective (N.B. Seals not required on some units). Damaged element.	1. Replace seal. 2. Tighten element. Replace element.
Water passing through filter	Water level in bowl above baffle. Flow capacity of filter exceeded.	Drain water. Maintain flow within capacity of filter or change to filter capable of handling desired flows.
Crazing of polycarbonate bowl or milky appearance	Bowl has been cleaned with incompatible fluid. Bowl is being used in an area containing fumes or vapors in-compatible with polycarbonate. Compressor oil vapor may be causing problem. Air intake to compressor may contain fumes or vapor in-compatible with polycarbonate.	Replace bowl. (Clean only with clean warm water and soap.) Replace bowl. Eliminate source of problem or convert from plastic to metal bowls. Replace bowl. Eliminate source of problem or convert from plastic to metal bowls. Replace bowl. Eliminate source of problem or convert from plastic to metal bowls.
Water beyond the filter	Inlet air has a high temperature and as it cools downstream, moisture condenses to water.	Fit dryer, pre-cool air or fit filter immediately prior to application.

## Simple Regulator Troubleshooting

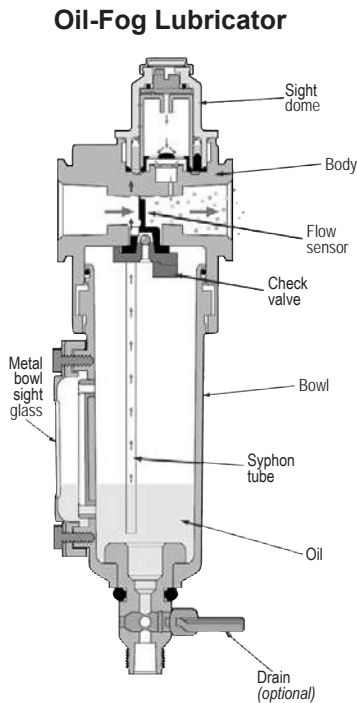
Malfunction	Possible cause	Remedy
Regulator creep (increase in secondary pressure due to leak from primary)	Dirty or cut valve elastomers. Nick in valve seat.	Replace or clean valve. If body or valve seat is damaged it can be replaced on some models. On others replacement of complete regulator is required.
Won't relieve secondary pressure	Non-relieving diaphragm assembly.	If this feature is required, replace with relieving type diaphragm assembly.
Won't reach desired pressure	Regulating spring with low spring rate.	Use regulating spring with spring rate designed to cover desired range.
Excessive leak from relief hole	Damaged relief seat. Ruptured diaphragm. Leakage past valve causing secondary to increase somewhat and open relief seat.	Replace diaphragm assembly. Replace or clean valve.
Regulator chatter	A resonant condition is generally only encountered under a certain set of conditions of flow and pressure and then only in some applications in which regulator couples with other system components.	Replace spring with a higher pressure range spring. Replace with a piston type regulator since they have less tendency to chatter.
Regulator difficult to adjust	Adjusting screw or knob locking device in locked position. Contaminants in adjusting screw threads.	Pull to unlock knob and adjust; push knob to lock. Threaded adjusting screws: loosen lock nut, remove adjusting screw, clean thread and lubricate. Place some lubricant on tip of screw.

General Purpose Regulator





## Simple Lubricator Troubleshooting



Malfunction	Possible cause	Remedy
No Drip Rate	Oil adjustment knob fully clockwise Low oil level Airflow through lubricator too low Blocked oil filter screen Air leaks	Readjust knob. Check oil level. Use smaller size lubricator. Remove bowl and sight feed adjustment dome and clear syphon tube. Remove sight feed adjustment dome and clean or replace screen located in dome assembly. Check bowl, filler plug and sight dome seals. Tighten if necessary.
Oil Foaming	Over aeration	Check bowl seals for slight leaks.
Oil Emulsified	Water in lubricator	Fit filter immediately upstream.
Drip Rate changes after setting	Fade	Readjust drip rate.

## Setting Lubricator Drip Rates

### What is the correct drip rate setting?

The drip rate will depend on the application, the amount of lubrication required, the flow through the lubricator and the lubricator type. In micro-fog lubricators only 10% of the droplets in the sight dome are carried downstream. The drip rate in micro-fog lubricators therefore tends to be much higher. The following table can be used to estimate drip rate for required flow. This is very much a rule of thumb. In practice it is necessary to fine tune the oil drip rate in each application.

Typical Drip Rate per Minute Micro-Fog	Typical Drip Rate per Oil-Fog	Approximate Flow SCFM (dm <sup>3</sup> /s)
20	2	10 (5)
40	4	20 (10)
60	6	30 (15)
80	8	40 (20)
100	10	50 (25)
120	12	60 (30)

### Can the drip rate be shut off?

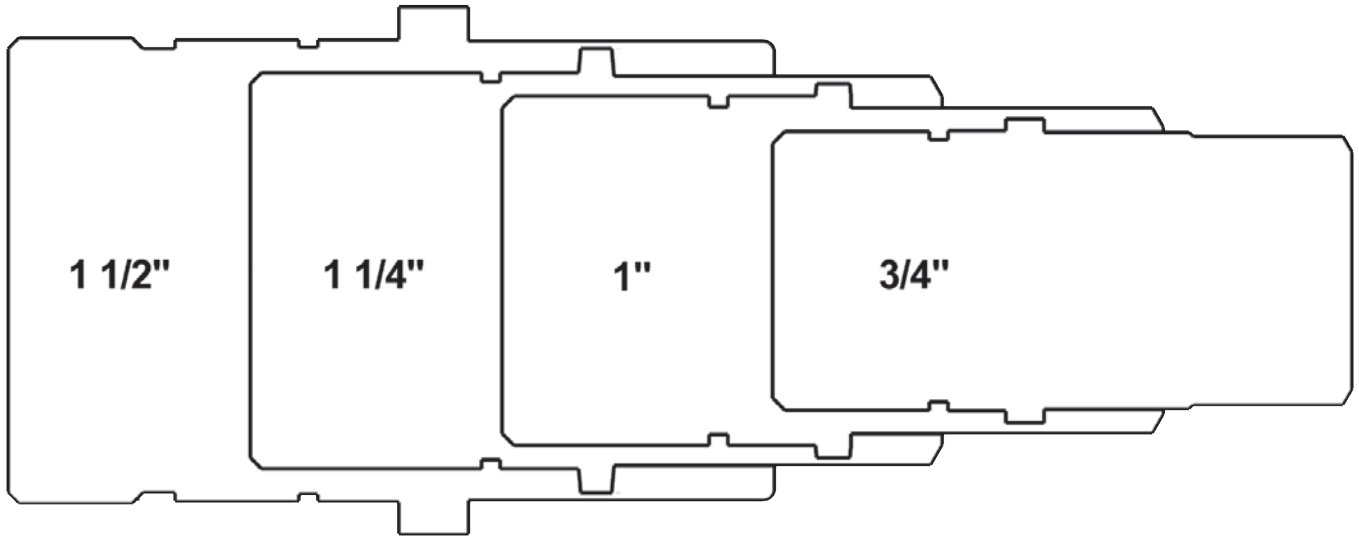
In lubricators with needle valve type sight dome, yes. Some sight domes use a felt pad which is soaked in oil at the point where the drops are formed. With this type of sight dome the oil droplets cease once the felt pad dries out. With the new style dome (L72/73/74 and L07) complete shut off is not possible. Minimum adjustment for the drip rate is around 1 drop per minute.

# Hydraulic Plug Profile Charts

## Industry/Competitor Interchange

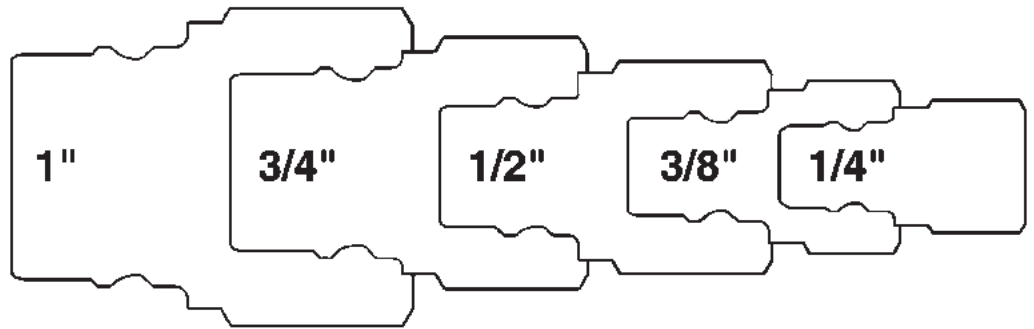
Perfecting W Series  
Aeroquip 5100  
Parker 6100

Dixon™ 7800 Series, page 399



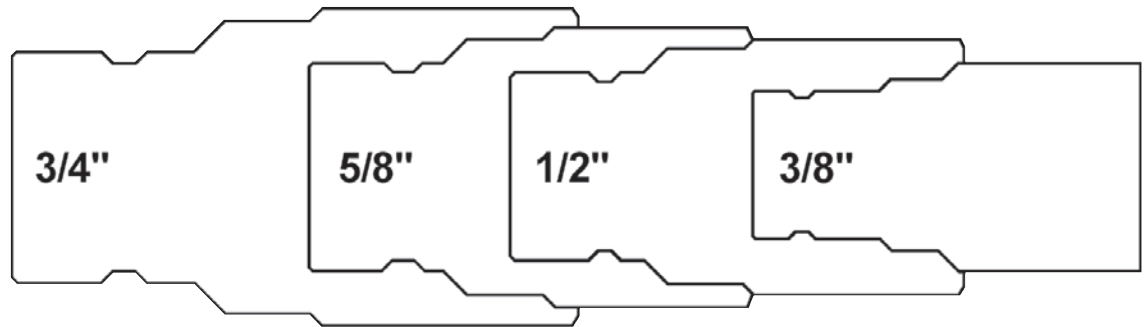
Dixon™ VH Series, page 403

Perfecting V Series  
Snap-tite H  
Faster TNV



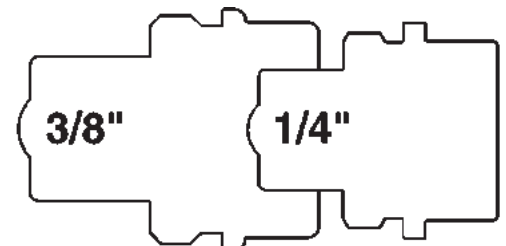
Dixon™ Flush Face Fittings, page 401

Perfecting HT Series  
Aeroquip FD49  
HTMA Parker FF



Dixon™ 3000 Series, page 396

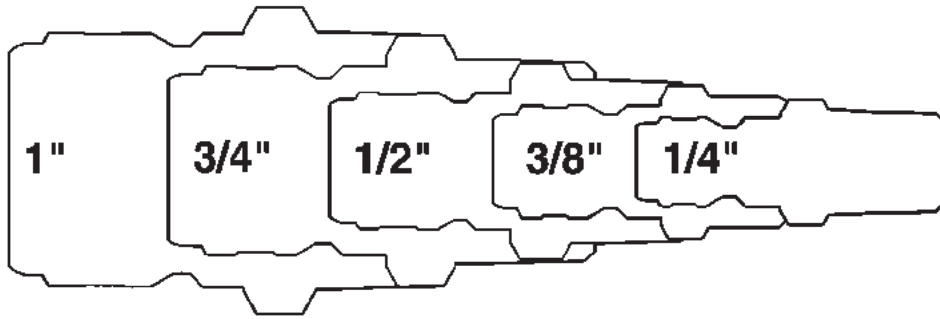
Perfecting T Series  
Parker 3000  
Enerpac C604



## Hydraulic Plug Profile Charts

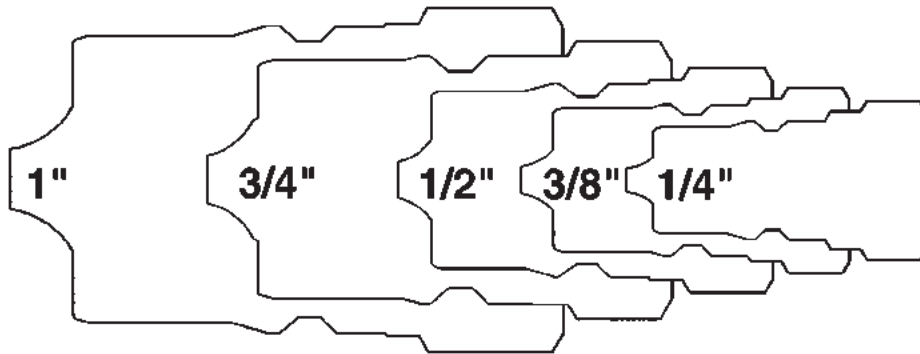
Industry/Competitor  
Interchange

Dixon™ Straight Thru Fittings, pages 324-325



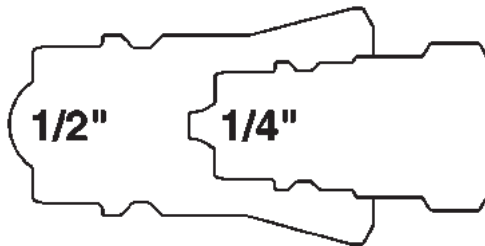
Perfecting E Series  
Parker ST  
Hansen ST

Dixon™ Industrial Fittings, page 395



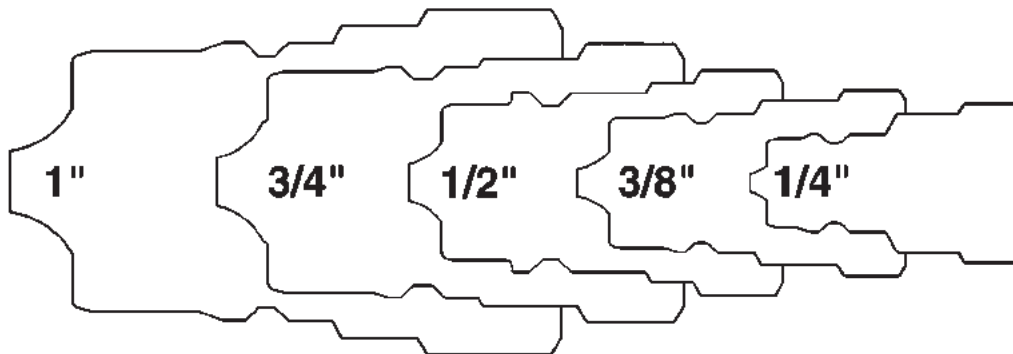
ISO 7241-B  
Perfecting H Series  
Hansen HK  
Aeroquip FD45  
Parker 60

Dixon™ Agricultural Fittings, page 398



Perfecting R Series  
Aeroquip FD76  
Parker/Pioneer 4000  
Safeway S20

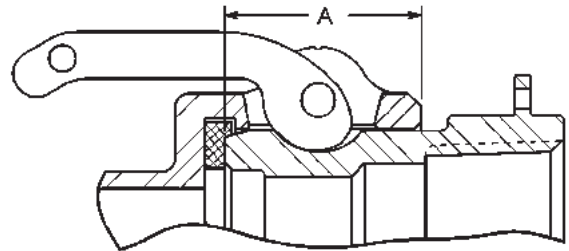
Dixon™ 5600 Series, page 397



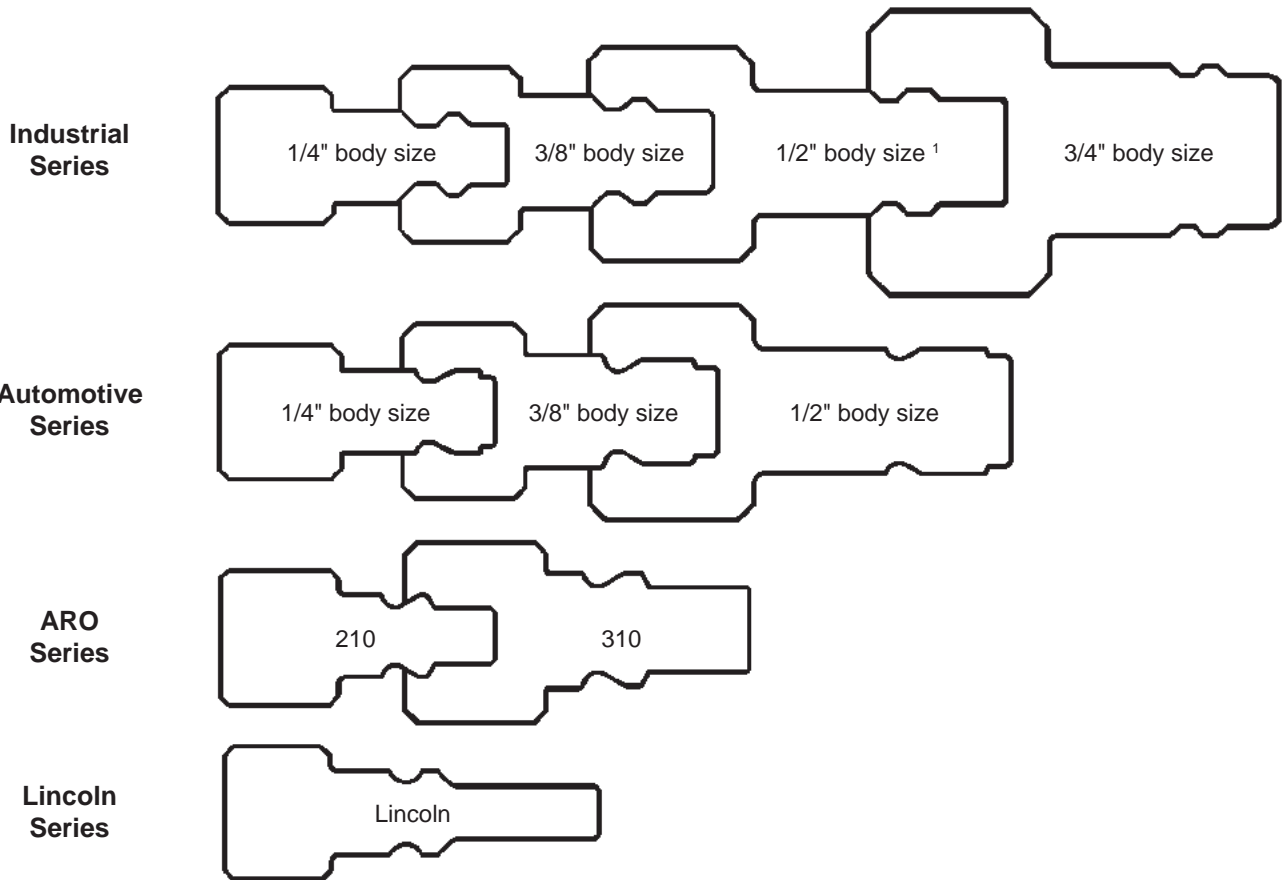
ISO 7241-A  
Perfecting K Series  
Aeroquip 5600  
Parker 6600

## Cam and Groove Nominal Take-Up Lengths

Coupling Size	Dimension A
½"	0.97"
¾"	0.97"
1"	1.20"
1¼"	1.44"
1½"	1.50"
2"	1.81"
2½"	1.82"
3"	1.78"
4"	1.84"
5"	2.00"
6"	2.13"
8"	2.06"
8"	3.22"



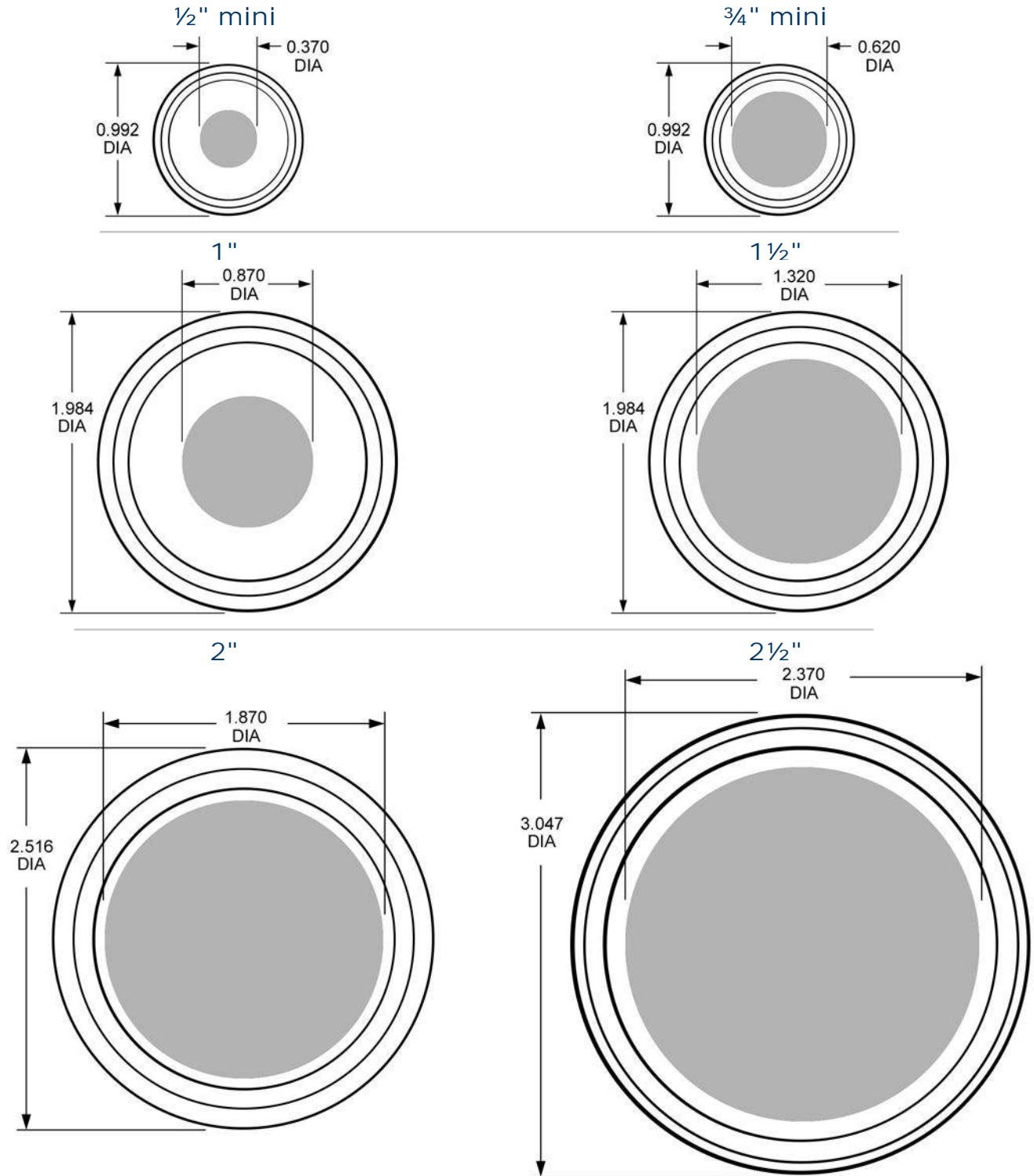
## Air Chief Actual Size Profile Charts



<sup>1</sup> ½" Industrial Series may also interchange with ½" Automotive Series.

## Sanitary Sizing Guide

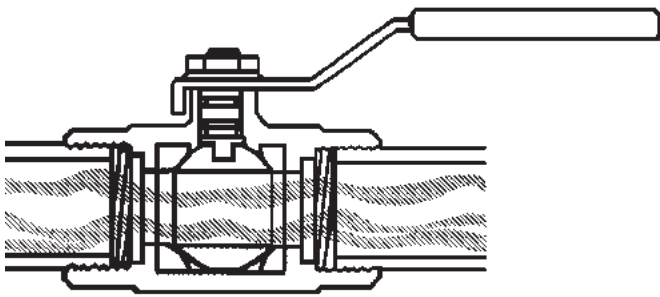
- actual size diagrams are provided to eliminate sizing errors when specifying sanitary fittings
- outside diameters are the same for ½" and ¾" (0.992 OD) and 1" and 1½" (1.984 OD)
- sizes 2" and above have specific outside diameter dimensions
- Diagrams are not available for 3" and above, reference the table below for information



Sanitary Size	OD of clamp end	ID of fitting	Sanitary Size	OD of clamp end	ID of fitting
½"	0.992	0.370	3"	3.579	2.870
¾"	0.992	0.620	4"	4.682	3.834
1"	1.984	0.870	6"	6.562	5.782
1½"	1.984	1.320	8"	8.602	7.760
2"	2.516	1.870	10"	10.570	9.782
2½"	3.047	2.370	12"	12.570	11.760

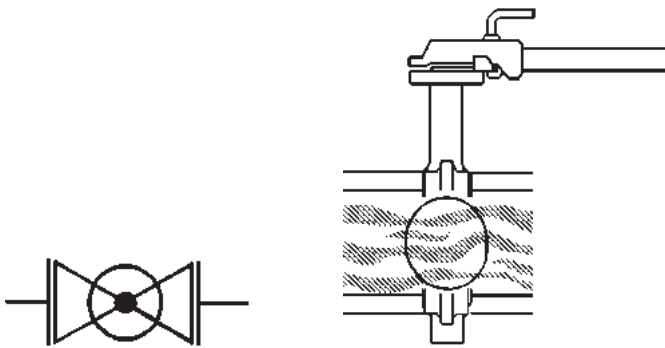
# Valve Selection Guide

## Ball Valve



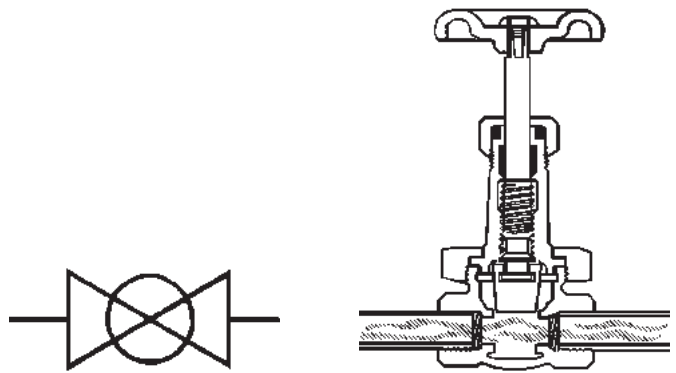
- can be used for on and off service or throttling
- when positive shut-off is necessary
- where a low valve profile is necessary
- only 90° rotation from open to fully closed (quick opening)
- Handle position is a quick indication of whether valve is open or closed.
- full port ball valves do not resist flow

## Butterfly Valve



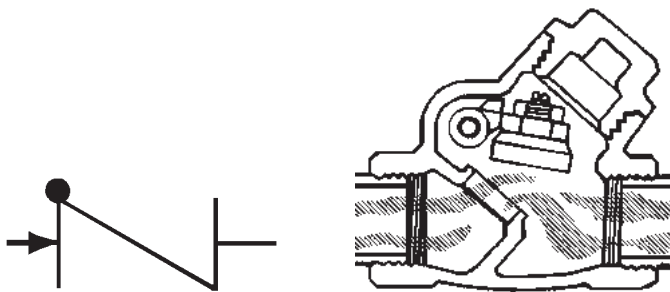
- where positive shut-off is necessary
- primarily for fully open or fully closed applications
- may be used for throttling
- only 90° rotation from open to fully closed
- lightweight
- easy to install
- less costly than an iron body gate valve

## Gate Valve



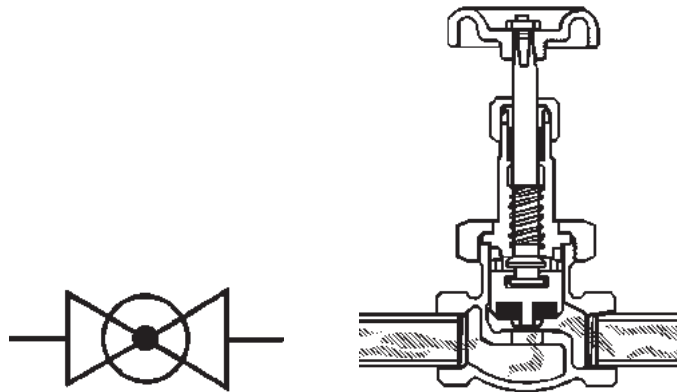
- for fully open or fully closed service - not for throttling
- for minimum line pressure drop
- for minimum fluid entrapment in the line
- for relatively infrequent operation

## Check Valve



- To control the direction of flow and for quick, automatic reactions to flow change. Swing check valves are used when a minimum resistance to flow is required.
- Swing check valves are recommended for use in conjunction with gate valves. They should not be used in a rapid recycling system such as reciprocating pumps or air compressor service where they could cause chatter and damaging vibration.

## Globe Valve

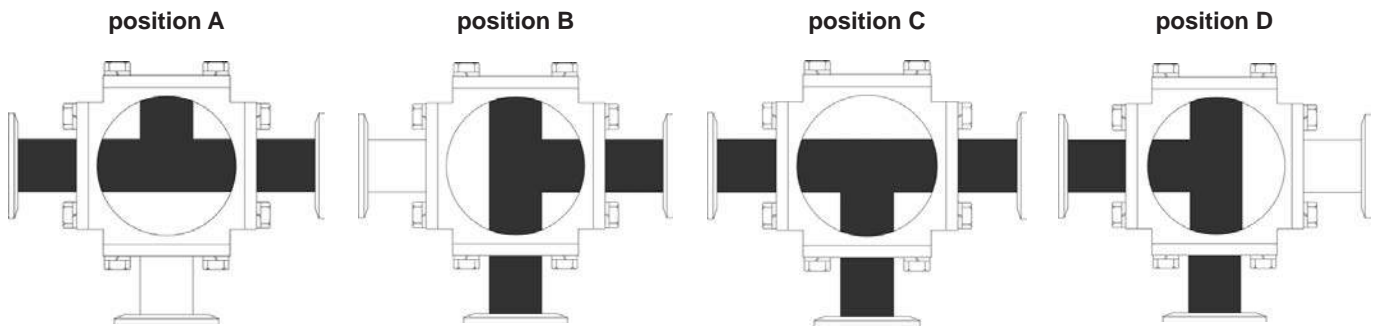


- for regulation (throttling) of flow
- for frequent operation; short stem travel reduces operator's time
- where some line resistance is acceptable

## 3-Way Ball Valve Flow Options

### 'T' Pattern, Side Entry

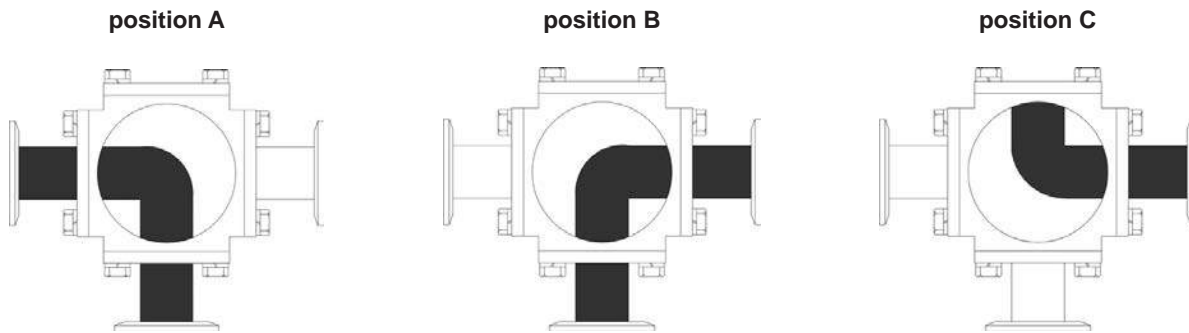
Top view



Number	Rotation	Flow Plan Options
1	90°	A, B
2	90°	B, C
3	90°	C, D
4	90°	A, D
5	180°	A, B, C
6	180°	B, C, D
7	180°	A, C, D
8	180°	A, B, D

### 'L' Pattern, Side Entry

Top view



Number	Rotation	Flow Plan Options
1	90°	A, B
2	180°	A, B, C

## Crimp Recommendations

The crimp recommendation charts on pages 855-870 are only guides. It will not apply to every coupling situation. In some instances alternative dies and crimping dimensions must be employed to ensure safety. Experience has shown that variances in the construction of similar hoses and couplings may cause some assemblies to react differently when crimped. It is not uncommon to find hose with an outer diameter that fluctuates from one end to the other or from production lot to production lot. These inconsistencies coupled with the inherent differences between textile or wire braid, hard or soft wall, the presence or absence of an internal spiral wire and the differences in hose coverings make it difficult to establish hard and fast rules. Therefore, it's imperative that hose dimensions are accurately measured, assemblies are tested, and documentation is maintained.

### Crimp Dix-Lock™ and Dual-Lock Recommendation Guide

• see pages 130-132 and 133-134 for the Dix-Lock™ and Dual-Lock products

Hose ID	Part #	Hose OD		Crimp Diameter (±0.005)	Crimp Length		% Reduction
		Fractional	Decimal		QM/QB	PHL	
1/2"	<b>QM3WF</b>	54/64	0.844	0.917	1-1/8	1-1/4	18.9
		55/64	0.859	0.929	1-1/8	1-1/4	18.1
		56/64	0.875	0.942	1-1/8	1-1/4	18.9
		57/64	0.891	0.954	1-1/8	1-1/4	18.4
	<b>QB3WF</b>	58/64	0.906	0.967	1-1/8	1-1/4	19.0
		59/64	0.922	0.980	1-1/8	1-1/4	18.5
		60/64	0.938	0.992	1-1/8	1-1/4	18.0
		61/64	0.953	1.005	1-1/8	1-1/4	18.5
	<b>QM22WF</b>	62/64	0.969	1.018	1-1/8	1-1/4	18.1
		63/64	0.984	1.030	1-1/8	1-1/4	18.6
	<b>QB22WF</b>	1	1.000	1.043	1-1/8	1-1/4	18.2
		1-1/64	1.016	1.056	1-1/8	1-1/4	18.8
		1-2/64	1.031	1.068	1-1/8	1-1/4	18.3
		<b>QM33WF</b>	1-10/64	1.156	1.220	1-1/4	1-1/4
1-11/64	1.171		1.235	1-1/4	1-1/4	18.0	
1-12/64	1.187		1.244	1-1/4	1-1/4	18.7	
1-13/64	1.203		1.260	1-1/4	1-1/4	18.1	
<b>QB33WF</b>	1-14/64		1.218	1.270	1-1/4	1-1/4	18.8
	1-15/64		1.234	1.285	1-1/4	1-1/4	18.2
<b>PHL8WF</b>	1-16/64		1.250	1.295	1-1/4	1-1/4	18.8
	1-17/64		1.265	1.310	1-1/4	1-1/4	18.4
<b>PHL12WF</b>	1-18/64		1.281	1.320	1-1/4	1-1/4	18.8
	1-19/64		1.296	1.335	1-1/4	1-1/4	18.5
3/4"	<b>QM4WF</b>	1-20/64	1.312	1.345	1-1/4	1-1/4	19.0
		1-21/64	1.328	1.360	1-1/4	1-1/4	18.5
	<b>QB4WF</b>	1-22/64	1.343	1.370	1-1/4	1-1/4	19.0
		1-10/64	1.156	1.220	1-1/4	1-1/4	18.5
	<b>QM23WF</b>	1-11/64	1.171	1.235	1-1/4	1-1/4	18.0
		1-12/64	1.187	1.244	1-1/4	1-1/4	18.7
<b>QB44WF</b>	1-13/64	1.203	1.260	1-1/4	1-1/4	18.1	
	1-14/64	1.218	1.270	1-1/4	1-1/4	18.8	
<b>PHL12WF</b>	1-15/64	1.234	1.285	1-1/4	1-1/4	18.2	
	1-16/64	1.250	1.295	1-1/4	1-1/4	18.8	
<b>PHL12WF</b>	1-17/64	1.265	1.310	1-1/4	1-1/4	18.4	
	1-18/64	1.281	1.320	1-1/4	1-1/4	18.8	

### Crimp 3500 Nipple Recommendation Guide

• see page 135 for the 3500 nipples

Hose ID	Part #	Hose OD		Crimp Diameter (±0.005)	Crimp Length	% Reduction
		Fractional	Decimal			
1/2"	<b>3512WF</b>	54/64	0.844	0.906	1-1/4	21.1
		55/64	0.859	0.906	1-1/4	24.5
		56/64	0.875	0.938	1-1/4	19.3
		57/64	0.891	0.938	1-1/4	22.6
		58/64	0.906	0.969	1-1/4	17.8
		3/4"	<b>3514WF</b>	1-10/64	1.156	1.218
1-11/64	1.171			1.218	1-7/16	20.7
1-12/64	1.187			1.218	1-7/16	23.6
1-13/64	1.203			1.250	1-7/16	19.4
1-14/64	1.218			1.250	1-7/16	22
1"	<b>3518WF</b>			1-30/64	1.468	1.500
		1-31/64	1.484	1.531	1-15/16	19
		1-32/64	1.500	1.531	1-15/16	21.6
		1-33/64	1.515	1.563	1-15/16	17.9
		1-34/64	1.531	1.563	1-15/16	20.3



## Crimp Air King™ Recommendation Guide

• see page 125 for Air King™ products

Hose ID	Part #	Hose OD		Crimp Diameter (±0.005)	Crimp Length	% Reduction		
		Fractional	Decimal					
1/2"	<b>AM1WF</b>	54/64	0.843	0.906	1-1/4	18.3		
		55/64	0.859	0.937	1-1/4	13.2		
		56/64	0.875	0.937	1-1/4	16.9		
		57/64	0.890	0.968	1-1/4	12.1		
		58/64	0.906	0.968	1-1/4	15.5		
		59/64	0.921	1.000	1-1/4	11.1		
		60/64	0.937	1.000	1-1/4	14.4		
		61/64	0.953	1.000	1-1/4	17.2		
		62/64	0.968	1.031	1-1/4	13.4		
		63/64	0.984	1.031	1-1/4	16.1		
		1	1.000	1.062	1-1/4	12.7		
		1-1/64	1.015	1.062	1-1/4	15.3		
		1-2/64	1.031	1.093	1-1/4	12.0		
3/4"	<b>AM6WF RAM6WF</b>	1-4/64	1.062	1.156	1-1/4	13.4		
		1-5/64	1.078	1.156	1-1/4	17.3		
		1-6/64	1.093	1.187	1-1/4	11.9		
		1-7/64	1.109	1.187	1-1/4	15.8		
		1-8/64	1.125	1.218	1-1/4	11.2		
		1-9/64	1.140	1.218	1-1/4	14.6		
		1-10/64	1.156	1.218	1-1/4	17.5		
		1-11/64	1.171	1.250	1-1/4	13.0		
		1-12/64	1.187	1.250	1-1/4	16.2		
		1-13/64	1.203	1.281	1-1/4	12.3		
		1-14/64	1.218	1.281	1-1/4	15.1		
		1-15/64	1.234	1.312	1-1/4	11.5		
		1-16/64	1.250	1.312	1-1/4	14.4		
		1-17/64	1.265	1.312	1-1/4	16.9		
		1-18/64	1.281	1.343	1-1/4	13.5		
		1-19/64	1.296	1.343	1-1/4	15.9		
		1-20/64	1.312	1.375	1-1/4	12.6		
		1-21/64	1.328	1.375	1-1/4	15.0		
		1-22/64	1.343	1.406	1-1/4	12.1		
		1"	<b>AM11WF-1</b>	1-18/64	1.281	1.375	1-1/2	16.7
				1-19/64	1.296	1.375	1-1/2	20.5
				1-20/64	1.312	1.406	1-1/2	15.0
1-21/64	1.328			1.406	1-1/2	18.6		
1-22/64	1.343			1.437	1-1/2	13.7		
1-23/64	1.359			1.437	1-1/2	17.5		
1-24/64	1.375			1.468	1-1/2	12.8		
1-25/64	1.390			1.468	1-1/2	16.1		
1-26/64	1.406			1.500	1-1/2	11.5		
1-27/64	1.421			1.500	1-1/2	14.7		
1-28/64	1.437			1.500	1-1/2	17.6		
1-29/64	1.453			1.531	1-1/2	13.9		
<b>AM11WF-1 AM11WF</b>	1-30/64			1.468	1.531	1-1/2	16.8	
	1-31/64		1.484	1.562	1-1/2	12.8		
	1-32/64		1.500	1.562	1-1/2	15.4		
	1-33/64		1.515	1.593	1-1/2	12.0		
	1-34/64		1.531	1.593	1-1/2	14.7		
<b>AM11WF</b>	1-35/64		1.546	1.625	1-1/2	11.1		
	1-36/64		1.562	1.625	1-1/2	13.7		
	1-37/64		1.578	1.625	1-1/2	15.9		
	1-38/64		1.593	1.656	1-1/2	12.9		
	1-39/64		1.609	1.656	1-1/2	15.1		
	1-40/64		1.625	1.687	1-1/2	12.4		
	1-41/64		1.640	1.687	1-1/2	14.5		
	1-42/64		1.656	1.718	1-1/2	11.8		
	1-43/64		1.671	1.718	1-1/2	14.0		
	1-44/64	1.687	1.750	1-1/2	11.3			
	1-45/64	1.703	1.750	1-1/2	13.3			
	1-46/64	1.718	1.750	1-1/2	15.1			

## Crimp Global Air King™ Recommendation Guide

• see page 123-124 for Global Air King™ products

### ½" Global Air King™

Hose ID	Stem Part #	Ferrule Part #	Hose OD		Crimp Diameter (±0.005)	% Reduction
			Fractional	Decimal		
½"	<b>GAM1</b>	<b>CCF0906</b>	54/64	0.8438	0.840	15
		<b>CCF0906</b>	55/64	0.8594	0.853	15
		<b>CCF0906</b>	56/64	0.8750	0.867	15

### ¾" Global Air King™

Hose ID	Stem Part #	Ferrule Part #	Hose OD		Crimp Diameter (±0.005)	% Reduction
			Fractional	Decimal		
¾"	<b>GAM6</b>	<b>CCF1120</b>	1-5/64	1.0781	1.082	20
		<b>CCF1120</b>	1-6/64	1.0938	1.094	20
		<b>CCF1149</b>	1-7/64	1.1094	1.107	20
		<b>CCF1149</b>	1-8/64	1.1250	1.119	20
		<b>CCF1190</b>	1-9/64	1.1406	1.122	20
		<b>CCF1190</b>	1-10/64	1.1563	1.134	20
		<b>CCF1218</b>	1-11/64	1.1719	1.147	20
		<b>CCF1218</b>	1-12/64	1.1875	1.159	20
		<b>CCF1246</b>	1-13/64	1.2031	1.182	20
		<b>CCF1246</b>	1-14/64	1.2188	1.194	20

### 1" Global Air King™

Hose ID	Stem Part #	Ferrule Part #	Hose OD		Crimp Diameter (±0.005)	% Reduction
			Fractional	Decimal		
1"	<b>GAM11</b>	<b>CCF1438</b>	1-25/64	1.3906	1.388	20
		<b>CCF1438</b>	1-26/64	1.4063	1.400	20
		<b>CCF1469</b>	1-27/64	1.4219	1.413	20
		<b>CCF1469</b>	1-28/64	1.4375	1.425	20
		<b>CCF1500</b>	1-29/64	1.4531	1.438	20
		<b>CCF1500</b>	1-30/64	1.4688	1.450	20
		<b>CCF1531</b>	1-31/64	1.4844	1.463	20
		<b>CCF1531</b>	1-32/64	1.5000	1.475	20



## Crimp Surelock™ Recommendation Guide

• see page 128 for Surelock™ products

Hose ID	Part #	Hose OD		Crimp Diameter (±0.005)	Crimp Length	% Reduction		
		Fractional	Decimal					
½"	<b>SL050CR</b>	54/64	0.843	0.969	1-1/4	16.6		
		55/64	0.859	0.969	1-1/4	20.2		
		56/64	0.875	0.969	1-1/4	23.5		
		57/64	0.890	1.000	1-1/4	18.6		
		58/64	0.906	1.000	1-1/4	21.7		
		59/64	0.921	1.031	1-1/4	17.2		
		60/64	0.937	1.031	1-1/4	20.2		
		61/64	0.953	1.032	1-1/4	23.0		
		62/64	0.968	1.063	1-1/4	18.8		
		63/64	0.984	1.063	1-1/4	21.5		
		1	1.000	1.094	1-1/4	17.7		
		1-1/64	1.015	1.094	1-1/4	20.2		
		1-2/64	1.031	1.094	1-1/4	22.5		
¾"	<b>SL075CR</b>	1-4/64	1.062	1.156	1-1/4	18.8		
		1-5/64	1.078	1.156	1-1/4	22.7		
		1-6/64	1.093	1.188	1-1/4	17.1		
		1-7/64	1.109	1.188	1-1/4	20.7		
		1-8/64	1.125	1.188	1-1/4	24.0		
		1-9/64	1.140	1.219	1-1/4	19.0		
		1-10/64	1.156	1.219	1-1/4	22.2		
		1-11/64	1.171	1.250	1-1/4	17.6		
		1-12/64	1.187	1.250	1-1/4	20.6		
		1-13/64	1.203	1.250	1-1/4	23.3		
		1-14/64	1.218	1.281	1-1/4	19.2		
		1-15/64	1.234	1.281	1-1/4	21.8		
		1-16/64	1.250	1.313	1-1/4	18.0		
		1-17/64	1.265	1.313	1-1/4	20.5		
		1-18/64	1.281	1.313	1-1/4	22.8		
		1-19/64	1.296	1.344	1-1/4	19.3		
		1-20/64	1.312	1.344	1-1/4	21.6		
		1-21/64	1.328	1.375	1-1/4	18.3		
		1-22/64	1.343	1.375	1-1/4	20.4		
		1"	<b>SL100CR</b>	1-30/64	1.468	1.500	1-1/2	21.9
				1-31/64	1.484	1.531	1-1/2	18.0
1-32/64	1.500			1.531	1-1/2	20.6		
1-33/64	1.515			1.531	1-1/2	23.0		
1-34/64	1.531			1.563	1-1/2	19.3		
1-35/64	1.546			1.563	1-1/2	21.7		
1-36/64	1.562			1.594	1-1/2	18.3		
1-37/64	1.578			1.594	1-1/2	20.5		
1-38/64	1.593			1.625	1-1/2	17.3		
1-39/64	1.609			1.625	1-1/2	19.4		
1-40/64	1.625			1.625	1-1/2	21.4		
1-41/64	1.640			1.656	1-1/2	18.5		
1-42/64	1.656			1.656	1-1/2	20.4		
1-43/64	1.671			1.688	1-1/2	17.6		
1-44/64	1.687			1.688	1-1/2	19.5		
1-45/64	1.703			1.688	1-1/2	21.3		
1-46/64	1.718			1.719	1-1/2	18.6		
1½"	<b>SL150CR</b>			2-1/64	2.015	2.094	2-7/8	19.9
		2-2/64	2.031	2.094	2-7/8	22.3		
		2-3/64	2.046	2.125	2-7/8	18.8		
		2-4/64	2.062	2.125	2-7/8	21.1		
		2-5/64	2.078	2.125	2-7/8	23.2		
		2-6/64	2.093	2.156	2-7/8	20.0		
		2-7/64	2.109	2.156	2-7/8	22.0		
		2-8/64	2.125	2.188	2-7/8	19.0		
2"	<b>SL200CR</b>	2-41/64	2.640	2.718	3	20.1		
		2-42/64	2.656	2.750	3	17.3		
		2-43/64	2.671	2.750	3	19.2		
		2-44/64	2.687	2.750	3	21.0		
		2-45/64	2.703	2.781	3	18.3		
		2-46/64	2.718	2.781	3	20.1		
		2-47/64	2.734	2.813	3	17.6		
		2-48/64	2.750	2.813	3	19.3		

## Crimp Sanitary Recommendation Guide

• see page 450 for Crimp Sanitary products

### 1" and 1½" Crimped Sanitary Fittings

Hose ID	Stem Part #	Ferrule Part #	Hose OD		Crimp Diameter (±0.005)	% Reduction		
			Fractional	Decimal				
1"	CSSR100 CBSR100	F16G-1453	1-26/64	1.406	1.565	23%		
			1-27/64	1.422	1.577	23%		
			1-28/64	1.438	1.589	23%		
		F16G-1500	1-29/64	1.453	1.601	23%		
			1-30/64	1.469	1.613	23%		
			1-31/64	1.484	1.625	23%		
		F16G-1547	1-32/64	1.500	1.637	23%		
			1-33/64	1.516	1.649	23%		
			1-34/64	1.531	1.661	23%		
		F16G-1594	1-35/64	1.547	1.673	23%		
			1-36/64	1.563	1.685	23%		
			1-37/64	1.578	1.697	23%		
		F16G-1641	1-38/64	1.594	1.709	23%		
			1-39/64	1.609	1.721	23%		
			1-40/64	1.625	1.733	23%		
		1½"	CSSR150 CBSR150 CILR150 CTER150 HA0240 HA0235	F24G-1969	1-58/64	1.906	2.063	23%
					1-59/64	1.922	2.075	23%
					1-60/64	1.938	2.087	23%
					1-61/64	1.953	2.099	23%
				F24G-2031	1-62/64	1.969	2.111	23%
1-63/64	1.984				2.123	23%		
2	2.000				2.135	23%		
F24G-2094	2-1/64			2.016	2.147	23%		
	2-2/64			2.031	2.159	23%		
	2-3/64			2.047	2.171	23%		
	2-4/64			2.063	2.183	23%		
F24G-2156	2-5/64			2.078	2.195	23%		
	2-6/64			2.094	2.207	23%		
	2-7/64			2.109	2.219	23%		
	2-8/64			2.125	2.231	23%		
F24G-2219	2-9/64			2.141	2.243	23%		
	2-10/64			2.156	2.255	23%		
	2-11/64			2.172	2.267	23%		
	2-12/64			2.188	2.280	23%		
F24G-2281	2-13/64			2.203	2.291	23%		
	2-14/64			2.219	2.304	23%		
	2-15/64			2.234	2.315	23%		
	2-16/64			2.250	2.328	23%		
F24G-2344	2-17/64			2.266	2.340	23%		
	2-18/64			2.281	2.351	23%		
	2-19/64			2.297	2.364	23%		
	2-20/64			2.313	2.376	23%		
F24G-2500	2-21/64			2.328	2.388	23%		
	2-12/64	2.187	2.279	23%				
	2-13/64	2.203	2.291	23%				
	2-14/64	2.218	2.303	23%				
F24G-3125	2-15/64	2.234	2.315	23%				
	2-16/64	2.250	2.328	23%				
	2-17/64	2.265	2.339	23%				
	2-18/64	2.281	2.351	23%				
			2-19/64	2.296	2.363	23%		



## Crimp Sanitary Recommendation Guide

• see page 450 for Crimp Sanitary products

### 2" Crimped Sanitary Fittings

Hose ID	Stem Part #	Ferrule Part #	Hose OD		Crimp Diameter (±0.005)	% Reduction
			Fractional	Decimal		
2"	<b>CSSR200</b> <b>CBSR200</b> <b>CILR200</b> <b>CTER200</b> <b>HA0236</b> <b>HA0341</b>	<b>F24G-2250</b>	2-12/64	2.187	2.279	23%
			2-13/64	2.203	2.291	23%
			2-14/64	2.218	2.303	23%
			2-15/64	2.234	2.315	23%
		<b>F24G-3125</b>	2-16/64	2.250	2.328	23%
			2-17/64	2.265	2.339	23%
			2-18/64	2.281	2.351	23%
			2-19/64	2.296	2.363	23%
		<b>F32G-2531</b>	2-30/64	2.469	2.611	23%
			2-31/64	2.484	2.623	23%
			2-32/64	2.500	2.635	23%
			2-33/64	2.516	2.647	23%
		<b>F32G-2594</b>	2-34/64	2.531	2.659	23%
			2-35/64	2.547	2.671	23%
			2-36/64	2.563	2.683	23%
			2-37/64	2.578	2.695	23%
		<b>F32G-2656</b>	2-38/64	2.594	2.707	23%
			2-39/64	2.609	2.719	23%
			2-40/64	2.625	2.731	23%
			2-41/64	2.641	2.743	23%
		<b>F32G-2719</b>	2-42/64	2.656	2.755	23%
			2-43/64	2.672	2.767	23%
			2-44/64	2.688	2.779	23%
			2-45/64	2.703	2.791	23%
		<b>F32G-2875</b>	2-52/64	2.812	2.876	23%
			2-53/64	2.828	2.888	23%
			2-54/64	2.843	2.899	23%
			2-55/64	2.859	2.911	23%
<b>F32G-2938</b>	2-56/64	2.875	2.924	23%		
	2-57/64	2.891	2.936	23%		
	2-58/64	2.906	2.948	23%		
	2-59/64	2.922	2.960	23%		
2½"	<b>CSSR250</b>	<b>F40G-3063</b>	3	3.000	3.135	23%
			3-1/64	3.016	3.147	23%
			3-2/64	3.031	3.159	23%
			3-3/64	3.047	3.171	23%
		<b>F40G-3125</b>	3-4/64	3.063	3.184	23%
			3-5/64	3.078	3.195	23%
			3-6/64	3.094	3.207	23%
			3-7/64	3.109	3.219	23%
		<b>F40G-3188</b>	3-8/64	3.125	3.231	23%
			3-9/64	3.141	3.244	23%
			3-10/64	3.156	3.255	23%
			3-11/64	3.172	3.267	23%
		<b>F40G-3250</b>	3-12/64	3.188	3.279	23%
			3-13/64	3.203	3.291	23%
			3-14/64	3.219	3.303	23%
			3-15/64	3.234	3.315	23%
		<b>F40G-3313</b>	3-16/64	3.250	3.328	23%
			3-17/64	3.266	3.340	23%
			3-18/64	3.281	3.352	23%
			3-19/64	3.297	3.364	23%
		<b>F40G-3375</b>	3-20/64	3.313	3.376	23%
			3-21/64	3.328	3.388	23%
			3-22/64	3.344	3.400	23%
			3-23/64	3.359	3.412	23%



## Crimp Sanitary Recommendation Guide

• see page 450 for Crimp Sanitary products

### 3" and 4" Crimped Sanitary Fittings

Hose ID	Stem Part #	Ferrule Part #	Hose OD		Crimp Diameter (±0.005)	% Reduction
			Fractional	Decimal		
3"	<b>CSSR300</b> <b>CBSR300</b> <b>CILR300</b> <b>CTER300</b> <b>HA0238</b> <b>HA0243</b>	<b>F48G-3625</b>	3-36/64	3.563	3.683	23%
			3-37/64	3.578	3.695	23%
			3-38/64	3.594	3.707	23%
			3-39/64	3.609	3.719	23%
		<b>F48G-3688</b>	3-40/64	3.625	3.731	23%
			3-41/64	3.641	3.743	23%
			3-42/64	3.656	3.755	23%
			3-43/64	3.672	3.767	23%
		<b>F48G-3750</b>	3-44/64	3.688	3.779	23%
			3-45/64	3.703	3.791	23%
			3-46/64	3.719	3.803	23%
			3-47/64	3.734	3.815	23%
		<b>F48G-3813</b>	3-48/64	3.750	3.828	23%
			3-49/64	3.766	3.840	23%
			3-50/64	3.781	3.852	23%
			3-51/64	3.797	3.864	23%
		<b>F48G-3875</b>	3-52/64	3.813	3.876	23%
			3-53/64	3.828	3.888	23%
			3-54/64	3.844	3.900	23%
			3-55/64	3.859	3.912	23%
		<b>F48G-3938</b>	3-56/64	3.875	3.924	23%
			3-57/64	3.891	3.936	23%
			3-58/64	3.906	3.948	23%
			3-59/64	3.922	3.960	23%
		<b>F48G-4106</b>	4-3/64	4.046	4.056	23%
			4-4/64	4.062	4.069	23%
			4-5/64	4.078	4.080	23%
			4-6/64	4.093	4.092	23%
4"	<b>CSSR400</b> <b>CBSR400</b> <b>CILR400</b> <b>CTER400</b>	<b>F64G-4688</b>	4-40/64	4.625	4.857	23%
			4-41/64	4.641	4.869	23%
			4-42/64	4.656	4.881	23%
			4-43/64	4.672	4.893	23%
		<b>F64G-4750</b>	4-44/64	4.688	4.905	23%
			4-45/64	4.703	4.917	23%
			4-46/64	4.719	4.929	23%
			4-47/64	4.734	4.941	23%
		<b>F64G-4813</b>	4-48/64	4.750	4.954	23%
			4-49/64	4.766	4.966	23%
			4-50/64	4.781	4.978	23%
			4-51/64	4.797	4.990	23%
		<b>F64G-4875</b>	4-52/64	4.813	5.002	23%
			4-53/64	4.828	5.014	23%
			4-54/64	4.844	5.026	23%
			4-55/64	4.859	5.038	23%
		<b>F64G-4938</b>	4-56/64	4.875	5.050	23%
			4-57/64	4.891	5.062	23%
			4-58/64	4.906	5.074	23%
			4-59/64	4.922	5.086	23%
		<b>F64G-5141</b>	5-5/64	5.078	5.205	23%
			5-6/64	5.093	5.218	23%
			5-7/64	5.109	5.230	23%
			5-8/64	5.125	5.242	23%



## Crimp Recommendation Guide

- see pages 12-20 for Crimp products

Hose ID	Cam & Groove Coupler Part #	Cam & Groove Adapter Part #	King™ Combination Nipple Part #	Sleeve & Ferrule Part #	Hose Range		Hose OD	Crimp Diam. inches (± 0.005)	Crimp Diam. mm
					From	To			
1"	<b>100-C-AL</b> <b>100-C-BR</b> <b>100-C-SS</b> <b>RC100EZCR</b> <b>G100-C-ALCR</b> <b>G100-C-BRCR</b> <b>G100-C-SSCR</b>	<b>100-E-AL</b> <b>100-E-BR</b> <b>100-E-SS</b> <b>G100-E-ALCR</b> <b>G100-E-BRCR</b> <b>G100-E-SSCR</b>	<b>STC10CS</b> <b>RST10CS</b> <b>STV10CS</b> <b>RSTV10CS</b> <b>STB10CS</b> <b>RSTB10CS</b>	<b>CS100-1xx</b> <b>CF100-1xx</b>	1-13/64	1-16/64	1 13/64	1.266	32.167
							1 14/64	1.278	32.472
							1 15/64	1.290	32.778
							1 16/64	1.303	33.084
				<b>CS100-2xx</b> <b>CF100-2xx</b>	1-17/64	1-20/64	1 17/64	1.317	33.457
							1 18/64	1.329	33.766
							1 19/64	1.342	34.076
				<b>CS100-3xx</b> <b>CF100-3xx</b>	1-21/64	1-24/64	1 20/64	1.354	34.385
							1 21/64	1.366	34.695
							1 22/64	1.378	35.004
				<b>CS100-4xx</b> <b>CF100-4xx</b>	1-23/64	1-26/64	1 23/64	1.390	35.314
							1 24/64	1.403	35.624
							1 25/64	1.419	36.032
				<b>CS100-5xx</b> <b>CF100-5xx</b>	1-25/64	1-28/64	1 26/64	1.431	36.346
							1 27/64	1.443	36.659
							1 28/64	1.456	36.973
				<b>CS100-6xx</b> <b>CF100-6xx</b>	1-29/64	1-32/64	1 29/64	1.468	37.286
							1 30/64	1.480	37.600
							1 31/64	1.493	37.913
				<b>CS100-7xx</b> <b>CF100-7xx</b>	1-32/64	1-36/64	1 32/64	1.505	38.227
							1 33/64	1.517	38.541
							1 34/64	1.530	38.854
				<b>CS100-8xx</b> <b>CF100-8xx</b>	1-33/64	1-37/64	1 35/64	1.542	39.168
							1 36/64	1.554	39.481
							1 37/64	1.567	39.795
				<b>CS100-9xx</b> <b>CF100-9xx</b>	1-37/64	1-40/64	1 38/64	1.579	40.108
							1 39/64	1.591	40.422
							1 40/64	1.604	40.735
				<b>CS100-10xx</b> <b>CF100-10xx</b>	1-41/64	1-44/64	1 41/64	1.616	41.049
							1 42/64	1.628	41.362
							1 43/64	1.641	41.676
				<b>CS100-11xx</b> <b>CF100-11xx</b>	1-44/64	1-48/64	1 44/64	1.653	41.989
							1 45/64	1.665	42.303
							1 46/64	1.678	42.616
				<b>CS100-12xx</b> <b>CF100-12xx</b>	1-45/64	1-52/64	1 47/64	1.690	42.930
							1 48/64	1.703	43.244
							1 49/64	1.715	43.557
				<b>CS100-13xx</b> <b>CF100-13xx</b>	1-49/64	1-52/64	1 50/64	1.727	43.871
							1 51/64	1.740	44.184
							1 52/64	1.752	44.498



## Crimp Recommendation Guide

• see pages 12-20 for Crimp products

Hose ID	Cam & Groove Coupler Part #	Cam & Groove Adapter Part #	King™ Combination Nipple Part #	Sleeve & Ferrule Part #	Hose Range		Hose OD	Crimp Diam. inches (± 0.005)	Crimp Diam. mm
					From	To			
1 1/4"	RC125EZCR	---	STC15CS RST15CS STV15CS RSTV15CS STB15CS RSTB15CS	CS125-1xx CF125-1xx	1-33/64	1-36/64	1 33/64	1.575	39.993
							1 34/64	1.587	40.299
							1 35/64	1.599	40.604
							1 36/64	1.611	40.910
				CS125-2xx CF125-2xx	1-37/64	1-40/64	1 37/64	1.626	41.299
							1 38/64	1.638	41.608
							1 39/64	1.650	41.918
							1 40/64	1.663	42.228
				CS125-3xx CF125-3xx	1-41/64	1-44/64	1 41/64	1.679	42.636
							1 42/64	1.691	42.950
							1 43/64	1.703	43.263
							1 44/64	1.716	43.577
				CS125-4xx CF125-4xx	1-45/64	1-48/64	1 45/64	1.728	43.890
							1 46/64	1.740	44.204
							1 47/64	1.753	44.517
							1 48/64	1.765	44.831
				CS125-5xx CF125-5xx	1-49/64	1-52/64	1 49/64	1.777	45.145
							1 50/64	1.790	45.458
							1 51/64	1.802	45.772
							1 52/64	1.814	46.085
				CS125-6xx CF125-6xx	1-53/64	1-56/64	1 53/64	1.827	46.399
							1 54/64	1.839	46.712
							1 55/64	1.851	47.026
							1 56/64	1.864	47.339
				CS125-7xx CF125-7xx	1-57/64	1-60/64	1 57/64	1.876	47.653
							1 58/64	1.888	47.966
							1 59/64	1.901	48.280
							1 60/64	1.913	48.593
				CS125-8xx CF125-8xx	1-61/64	2	1 61/64	1.925	48.907
							1 62/64	1.938	49.220
							1 63/64	1.950	49.534
							2	1.963	49.848
				CS125-9xx CF125-9xx	2-1/64	2-4/64	2 1/64	1.975	50.161
							2 2/64	1.987	50.475
							2 3/64	2.000	50.788
							2 4/64	2.012	51.102
				CS125-10xx CF125-10xx	2-5/64	2-8/64	2 5/64	2.024	51.415
							2 6/64	2.037	51.729
							2 7/64	2.049	52.042
							2 8/64	2.061	52.356





## Crimp Recommendation Guide

• see pages 12-20 for Crimp products

Hose ID	Cam & Groove Coupler Part #	Cam & Groove Adapter Part #	King™ Combination Nipple Part #	Sleeve & Ferrule Part #	Hose Range		Hose OD	Crimp Diam. inches (± 0.005)	Crimp Diam. mm
					From	To			
1½"	150-C-AL 150-C-BR 150-C-SS RC150EZCR G150-C-ALCR G150-C-BRCR G150-C-SSCR	150-E-AL 150-E-BR 150-E-SS G150-E-ALCR G150-E-BRCR G150-E-SSCR	STC20CS RST20CS STV20CS RSTV20CS STB20CS RSTB20CS FST20CS RFST20CS	CS150-1xx CF150-1xx	1-41/64	1-44/64	1 41/64	1.726	43.842
							1 42/64	1.738	44.136
							1 43/64	1.749	44.429
							1 44/64	1.761	44.723
				CS150-2xx CF150-2xx	1-45/64	1-48/64	1 45/64	1.778	45.172
							1 46/64	1.790	45.477
							1 47/64	1.802	45.783
							1 48/64	1.815	46.088
				CS150-3xx CF150-3xx	1-49/64	1-52/64	1 49/64	1.829	46.461
							1 50/64	1.841	46.771
							1 51/64	1.854	47.080
							1 52/64	1.866	47.390
				CS150-4xx CF150-4xx	1-53/64	1-56/64	1 53/64	1.878	47.700
							1 54/64	1.890	48.009
							1 55/64	1.902	48.319
							1 56/64	1.915	48.628
				CS150-5xx CF150-5xx	1-57/64	1-60/64	1 57/64	1.931	49.037
							1 58/64	1.943	49.351
							1 59/64	1.955	49.664
							1 60/64	1.968	49.978
				CS150-6xx CF150-6xx	1-61/64	2	1 61/64	1.980	50.291
							1 62/64	1.992	50.605
							1 63/64	2.005	50.918
							2	2.017	51.232
				CS150-7xx CF150-7xx	2-1/64	2-4/64	2 1/64	2.029	51.545
							2 2/64	2.042	51.859
							2 3/64	2.054	52.172
							2 4/64	2.066	52.486
				CS150-8xx CF150-8xx	2-5/64	2-8/64	2 5/64	2.079	52.799
							2 6/64	2.091	53.113
							2 7/64	2.103	53.427
							2 8/64	2.116	53.740
				CS150-9xx CF150-9xx	2-9/64	2-12/64	2 9/64	2.128	54.054
							2 10/64	2.140	54.367
							2 11/64	2.153	54.681
							2 12/64	2.165	54.994
				CS150-10xx CF150-10xx	2-13/64	2-16/64	2 13/64	2.177	55.308
							2 14/64	2.190	55.621
							2 15/64	2.202	55.935
							2 16/64	2.215	56.248
				CS150-11xx CF150-11xx	2-17/64	2-20/64	2 17/64	2.227	56.562
							2 18/64	2.239	56.875
							2 19/64	2.252	57.189
							2 20/64	2.264	57.502
				CS150-12xx CF150-12xx	2-21/64	2-24/64	2 21/64	2.276	57.816
							2 22/64	2.289	58.129
							2 23/64	2.301	58.443
							2 24/64	2.313	58.757

## Crimp Recommendation Guide

• see pages 12-20 for Crimp products

Hose OD	Crimp Diam. inches (± 0.005)	Crimp Diam. mm	King™ Combination Nipple Part #	Sleeve & Ferrule Part #	Hose Range		Hose OD	Crimp Diam. inches (± 0.005)	Crimp Diam. mm
					From	To			
2"	200-C-AL 200-C-BR 200-C-SS RC200EZCR G200-C-ALCR G200-C-BRCR G200-C-SSCR	200-E-AL 200-E-BR 200-E-SS G200-E-ALCR G200-E-BRCR G200-E-SSCR	STC25CS RST25CS STV25CS RSTV25CS STB25CS RSTB25CS FST25CS RFST25CS	<b>CS200-1xx</b> <b>CF200-1xx</b>	2-13/64	2-16/64	2 13/64	2.278	57.872
							2 14/64	2.290	58.177
							2 15/64	2.302	58.483
							2 16/64	2.315	58.788
				<b>CS200-2xx</b> <b>CF200-2xx</b>	2-17/64	2-20/64	2 17/64	2.329	59.161
							2 18/64	2.341	59.471
							2 19/64	2.354	59.780
							2 20/64	2.366	60.090
				<b>CS200-3xx</b> <b>CF200-3xx</b>	2-21/64	2-24/64	2 21/64	2.378	60.400
							2 22/64	2.390	60.709
							2 23/64	2.402	61.019
							2 24/64	2.415	61.328
				<b>CS200-4xx</b> <b>CF200-4xx</b>	2-25/64	2-28/64	2 25/64	2.431	61.737
							2 26/64	2.443	62.051
							2 27/64	2.455	62.364
							2 28/64	2.468	62.678
				<b>CS200-5xx</b> <b>CF200-5xx</b>	2-29/64	2-32/64	2 29/64	2.480	62.991
							2 30/64	2.492	63.305
							2 31/64	2.505	63.618
							2 32/64	2.517	63.932
				<b>CS200-6xx</b> <b>CF200-6xx</b>	2-33/64	2-36/64	2 33/64	2.529	64.245
							2 34/64	2.542	64.559
							2 35/64	2.554	64.872
							2 36/64	2.566	65.186
				<b>CS200-7xx</b> <b>CF200-7xx</b>	2-37/64	2-40/64	2 37/64	2.579	65.499
							2 38/64	2.591	65.813
							2 39/64	2.603	66.127
							2 40/64	2.616	66.440
				<b>CS200-8xx</b> <b>CF200-8xx</b>	2-41/64	2-44/64	2 41/64	2.628	66.754
							2 42/64	2.640	67.067
							2 43/64	2.653	67.381
							2 44/64	2.665	67.694
				<b>CS200-9xx</b> <b>CF200-9xx</b>	2-45/64	2-48/64	2 45/64	2.677	68.008
							2 46/64	2.690	68.321
							2 47/64	2.702	68.635
							2 48/64	2.715	68.948
				<b>CS200-10xx</b> <b>CF200-10xx</b>	2-49/64	2-52/64	2 49/64	2.727	69.262
							2 50/64	2.739	69.575
							2 51/64	2.752	69.889
							2 52/64	2.764	70.202
				<b>CS200-11xx</b> <b>CF200-11xx</b>	2-53/64	2-56/64	2 53/64	2.776	70.516
							2 54/64	2.789	70.829
							2 55/64	2.801	71.143
							2 56/64	2.813	71.457
				<b>CS200-12xx</b> <b>CF200-12xx</b>	2-57/64	2-60/64	2 57/64	2.826	71.770
							2 58/64	2.838	72.084
							2 59/64	2.850	72.397
							2 60/64	2.863	72.711



## Crimp Recommendation Guide

• see pages 12-20 for Crimp products

Hose ID	Cam & Groove Coupler Part #	Cam & Groove Adapter Part #	King™ Combination Nipple Part #	Sleeve & Ferrule Part #	Hose Range		Hose OD	Crimp Diam. inches (± 0.005)	Crimp Diam. mm
					From	To			
3"	<b>300-C-AL</b> <b>300-C-BR</b> <b>300-C-SS</b> <b>RC300EZCR</b> <b>G300-C-ALCR</b> <b>G300-C-BRCR</b> <b>G300-C-SSCR</b>	<b>300-E-AL</b> <b>300-E-BR</b> <b>300-E-SS</b> <b>G300-E-ALCR</b> <b>G300-E-BRCR</b> <b>G300-E-SSCR</b>	<b>STC35CS</b> <b>RST35CS</b> <b>STV35CS</b> <b>RSTV35CS</b> <b>STB35CS</b> <b>RSTB35CS</b> <b>FST35CS</b> <b>RFST35CS</b>	<b>CS300-1xx</b> <b>CF300-1xx</b>	3-13/64	3-16/64	3 13/64	3.333	84.669
							3 14/64	3.345	84.974
							3 15/64	3.357	85.280
				<b>CS300-2xx</b> <b>CF300-2xx</b>	3-17/64	3-20/64	3 16/64	3.370	85.585
							3 17/64	3.384	85.958
							3 18/64	3.396	86.268
				<b>CS300-3xx</b> <b>CF300-3xx</b>	3-21/64	3-24/64	3 19/64	3.409	86.577
							3 20/64	3.421	86.887
							3 21/64	3.433	87.197
				<b>CS300-4xx</b> <b>CF300-4xx</b>	3-25/64	3-28/64	3 22/64	3.445	87.506
							3 23/64	3.457	87.816
							3 24/64	3.470	88.125
				<b>CS300-5xx</b> <b>CF300-5xx</b>	3-29/64	3-32/64	3 25/64	3.486	88.534
							3 26/64	3.498	88.848
							3 27/64	3.510	89.161
				<b>CS300-6xx</b> <b>CF300-6xx</b>	3-33/64	3-36/64	3 28/64	3.523	89.475
							3 29/64	3.535	89.788
							3 30/64	3.547	90.102
				<b>CS300-7xx</b> <b>CF300-7xx</b>	3-37/64	3-40/64	3 31/64	3.560	90.415
							3 32/64	3.572	90.729
							3 33/64	3.584	91.042
				<b>CS300-8xx</b> <b>CF300-8xx</b>	3-41/64	3-44/64	3 34/64	3.597	91.356
							3 35/64	3.609	91.669
							3 36/64	3.621	91.983
				<b>CS300-9xx</b> <b>CF300-9xx</b>	3-45/64	3-48/64	3 37/64	3.634	92.296
							3 38/64	3.646	92.610
							3 39/64	3.658	92.924
				<b>CS300-10xx</b> <b>CF300-10xx</b>	3-49/64	3-52/64	3 40/64	3.671	93.237
							3 41/64	3.683	93.551
							3 42/64	3.695	93.864
				<b>CS300-11xx</b> <b>CF300-11xx</b>	3-53/64	3-56/64	3 43/64	3.708	94.178
							3 44/64	3.720	94.491
							3 45/64	3.732	94.805
				<b>CS300-12xx</b> <b>CF300-12xx</b>	3-57/64	3-60/64	3 46/64	3.745	95.118
							3 47/64	3.757	95.432
							3 48/64	3.770	95.745
				<b>CS300-13xx</b> <b>CF300-13xx</b>	3-61/64	4	3 49/64	3.782	96.059
							3 50/64	3.794	96.372
							3 51/64	3.807	96.686
				<b>CS300-14xx</b> <b>CF300-14xx</b>	4-1/64	4-4/64	3 52/64	3.819	96.999
							3 53/64	3.831	97.313
							3 54/64	3.844	97.626
				<b>CS300-15xx</b> <b>CF300-15xx</b>	4-5/64	4-8/64	3 55/64	3.856	97.940
							3 56/64	3.868	98.254
							3 57/64	3.881	98.567
				<b>CS300-16xx</b> <b>CF300-16xx</b>	4-9/64	4-12/64	3 58/64	3.893	98.881
							3 59/64	3.905	99.194
							3 60/64	3.918	99.508
			3 61/64	3.930	99.821				
			3 62/64	3.942	100.135				
			3 63/64	3.955	100.448				
			4	3.967	100.762				
			4 1/64	3.979	101.075				
			4 2/64	3.992	101.389				
			4 3/64	4.004	101.702				
			4 4/64	4.016	102.016				
			4 5/64	4.029	102.329				
			4 6/64	4.041	102.643				
			4 7/64	4.053	102.957				
			4 8/64	4.066	103.270				
			4 9/64	4.078	103.584				
			4 10/64	4.090	103.897				
			4 11/64	4.103	104.211				
			4 12/64	4.115	104.524				

## Crimp Recommendation Guide

• see pages 12-20 for Crimp products

Hose ID	Cam & Groove Coupler Part #	Cam & Groove Adapter Part #	King™ Combination Nipple Part #	Sleeve & Ferrule Part #	Hose Range		Hose OD	Crimp Diam. inches (± 0.005)	Crimp Diam. mm
					From	To			
4"	<b>400-C-AL</b> <b>400-C-BR</b> <b>400-C-SS</b> <b>RC400EZCR</b> <b>G400-C-ALCR</b> <b>G400-C-BRCR</b> <b>G400-C-SSCR</b>	<b>400-E-AL</b> <b>400-E-BR</b> <b>400-E-SS</b> <b>G400-E-ALCR</b> <b>G400-E-BRCR</b> <b>G400-E-SSCR</b>	<b>STC40CS</b> <b>RST40CS</b> <b>STV40CS</b> <b>RSTV40CS</b> <b>STB40CS</b> <b>RSTB40CS</b> <b>FST40CS</b> <b>RFST40CS</b>	<b>CS400-1xx</b> <b>CF400-1xx</b>	4-13/64	4-16/64	4 13/64	4.333	110.069
							4 14/64	4.345	110.374
							4 15/64	4.357	110.680
				<b>CS400-2xx</b> <b>CF400-2xx</b>	4-17/64	4-20/64	4 16/64	4.370	110.985
							4 17/64	4.384	111.358
							4 18/64	4.396	111.668
				<b>CS400-3xx</b> <b>CF400-3xx</b>	4-21/64	4-24/64	4 19/64	4.409	111.977
							4 20/64	4.421	112.287
							4 21/64	4.433	112.597
				<b>CS400-4xx</b> <b>CF400-4xx</b>	4-25/64	4-28/64	4 22/64	4.445	112.906
							4 23/64	4.457	113.216
							4 24/64	4.470	113.525
				<b>CS400-5xx</b> <b>CF400-5xx</b>	4-29/64	4-32/64	4 25/64	4.486	113.934
							4 26/64	4.498	114.248
							4 27/64	4.510	114.561
				<b>CS400-6xx</b> <b>CF400-6xx</b>	4-33/64	4-36/64	4 28/64	4.523	114.875
							4 29/64	4.535	115.188
							4 30/64	4.547	115.502
				<b>CS400-7xx</b> <b>CF400-7xx</b>	4-37/64	4-40/64	4 31/64	4.560	115.815
							4 32/64	4.572	116.129
							4 33/64	4.584	116.442
				<b>CS400-8xx</b> <b>CF400-8xx</b>	4-41/64	4-44/64	4 34/64	4.597	116.756
							4 35/64	4.609	117.069
							4 36/64	4.621	117.383
				<b>CS400-9xx</b> <b>CF400-9xx</b>	4-45/64	4-48/64	4 37/64	4.634	117.696
							4 38/64	4.646	118.010
							4 39/64	4.658	118.324
				<b>CS400-10xx</b> <b>CF400-10xx</b>	4-49/64	4-52/64	4 40/64	4.671	118.637
							4 41/64	4.683	118.951
							4 42/64	4.695	119.264
				<b>CS400-11xx</b> <b>CF400-11xx</b>	4-53/64	4-56/64	4 43/64	4.708	119.578
							4 44/64	4.720	119.891
							4 45/64	4.732	120.205
				<b>CS400-12xx</b> <b>CF400-12xx</b>	4-57/64	4-60/64	4 46/64	4.745	120.518
							4 47/64	4.757	120.832
							4 48/64	4.770	121.145
				<b>CS400-13xx</b> <b>CF400-13xx</b>	4-61/64	5	4 49/64	4.782	121.459
							4 50/64	4.794	121.772
							4 51/64	4.807	122.086
				<b>CS400-14xx</b> <b>CF400-14xx</b>	5-1/64	5-4/64	4 52/64	4.819	122.399
							4 53/64	4.831	122.713
							4 54/64	4.844	123.026
				<b>CS400-15xx</b> <b>CF400-15xx</b>	5-5/64	5-8/64	4 55/64	4.856	123.340
							4 56/64	4.868	123.654
							4 57/64	4.881	123.967
				<b>CS400-16xx</b> <b>CF400-16xx</b>	5-9/64	5-12/64	4 58/64	4.893	124.281
							4 59/64	4.905	124.594
							4 60/64	4.918	124.908
							4 61/64	4.930	125.221
							4 62/64	4.942	125.535
							4 63/64	4.955	125.848
							5	4.967	126.162
							5 1/64	4.979	126.475
							5 2/64	4.992	126.789
							5 3/64	5.004	127.102
							5 4/64	5.016	127.416
							5 5/64	5.029	127.729
							5 6/64	5.041	128.043
							5 7/64	5.053	128.357
							5 8/64	5.066	128.670
							5 9/64	5.078	128.984
							5 10/64	5.090	129.297
							5 11/64	5.103	129.611
							5 12/64	5.115	129.924



## Crimp Recommendation Guide

• see pages 12-20 for Crimp products

Hose ID	Cam & Groove Coupler Part #	Cam & Groove Adapter Part #	King™ Combination Nipple Part #	Sleeve & Ferrule Part #	Hose Range		Hose OD	Crimp Diam. inches (± 0.005)	Crimp Diam. mm
					From	To			
6"	<b>600-C-AL</b> <b>600-C-BR</b> <b>600-C-SS</b> <b>RC600EZCR</b> <b>G600-C-ALCR</b> <b>G600-C-BRCR</b> <b>G600-C-SSCR</b>	<b>600-E-AL</b> <b>600-E-BR</b> <b>600-E-SS</b> <b>G600-E-ALCR</b> <b>G600-E-BRCR</b> <b>G600-E-SSCR</b>	<b>STC60CS</b> <b>RST60CS</b> <b>STV60CS</b> <b>RSTV60CS</b> <b>STB60CS</b> <b>RSTB60CS</b> <b>FST60CS</b> <b>RFST60CS</b>	<b>CS600-1xx</b> <b>CF600-1xx</b>	6-21/64	6-28/64	6 21/64	6.504	165.200
							6 22/64	6.516	165.510
							6 23/64	6.528	165.819
							6 24/64	6.541	166.129
							6 25/64	6.553	166.438
							6 26/64	6.565	166.748
							6 27/64	6.577	167.057
							6 28/64	6.589	167.367
							6 29/64	6.606	167.792
							6 30/64	6.618	168.105
							6 31/64	6.631	168.419
							<b>CS600-2xx</b> <b>CF600-2xx</b>	6-29/64	6-36/64
				6 33/64	6.655	169.046			
				6 34/64	6.668	169.359			
				6 35/64	6.680	169.673			
				6 36/64	6.692	169.986			
				6 37/64	6.705	170.300			
				<b>CS600-3xx</b> <b>CF600-3xx</b>	6-37/64	6-44/64	6 38/64	6.717	170.613
							6 39/64	6.729	170.927
							6 40/64	6.742	171.240
							6 41/64	6.754	171.554
							6 42/64	6.766	171.868
							6 43/64	6.779	172.181
				<b>CS600-4xx</b> <b>CF600-4xx</b>	6-45/64	6-52/64	6 44/64	6.791	172.495
							6 45/64	6.803	172.808
							6 46/64	6.816	173.122
							6 47/64	6.828	173.435
							6 48/64	6.841	173.749
							6 49/64	6.853	174.062
				<b>CS600-5xx</b> <b>CF600-5xx</b>	6-53/64	6-60/64	6 50/64	6.865	174.376
							6 51/64	6.878	174.689
							6 52/64	6.890	175.003
							6 53/64	6.902	175.316
							6 54/64	6.915	175.630
							6 55/64	6.927	175.943
				<b>CS600-6xx</b> <b>CF600-6xx</b>	6-61/64	7-4/64	6 56/64	6.939	176.257
							6 57/64	6.952	176.570
							6 58/64	6.964	176.884
							6 59/64	6.976	177.198
							6 60/64	6.989	177.511
							6 61/64	7.001	177.825
							6 62/64	7.013	178.138
							6 63/64	7.026	178.452
							7	7.038	178.765
							7 1/64	7.050	179.079
				<b>CS600-7xx</b> <b>CF600-7xx</b>	7-5/64	7-12/64	7 2/64	7.063	179.392
							7 3/64	7.075	179.706
							7 4/64	7.087	180.019
							7 5/64	7.100	180.333
							7 6/64	7.112	180.646
							7 7/64	7.124	180.960
							7 8/64	7.137	181.273
							7 9/64	7.149	181.587
				<b>CS600-8xx</b> <b>CF600-8xx</b>	7-13/64	7-20/64	7 10/64	7.161	181.901
7 11/64	7.174	182.214							
7 12/64	7.186	182.528							
7 13/64	7.198	182.841							
7 14/64	7.211	183.155							
7 15/64	7.223	183.468							
7 16/64	7.236	183.782							
7 17/64	7.248	184.095							
<b>CS600-9xx</b> <b>CF600-9xx</b>	7-21/64	7-28/64	7 18/64	7.260	184.409				
			7 19/64	7.273	184.722				
			7 20/64	7.285	185.036				
			7 21/64	7.297	185.349				
			7 22/64	7.310	185.663				
			7 23/64	7.322	185.976				
7 24/64	7.334	186.290							
7 25/64	7.347	186.603							
7 26/64	7.359	186.917							
7 27/64	7.371	187.231							
7 28/64	7.384	187.544							

## Crimp PTFE Hose Fittings Recommendation Guide

- see pages 797-801 for PTFE hose fittings

### 100R14 Nominal Smooth Bore

Hose Part #	Crimp Collar Part #	Crimp Diameter inches (± 0.005)	Crimp Diam. mm
WSB-03 BSB-03	<b>CSC-03-03</b> <b>SSC-03-03</b>	.300 / .310	
WSB-04 BSB-04	<b>BRC-04-04</b> <b>CSC-04-04</b> <b>SSC-04-04</b>	.325 / .335	
WSB-05 BSB-05	<b>BRC-05-05</b> <b>CSC-05-05</b> <b>SSC-05-05</b>	.395 / .405	
WSB-06 BSB-06	<b>BRC-06-06</b> <b>CSC-06-06</b> <b>SSC-06-60</b>	.471 / .480	
WSB-08 BSB-08	<b>BRC-08-08</b> <b>CSC-08-08</b> <b>SSC-08-08</b>	.575 / .585	
WSB-10 BSB-10	<b>BRC-10-10</b> <b>CSC-10-10</b> <b>SSC-10-10</b>	.685 / .695	
WSB-12 BSB-12	<b>BRC-12-12</b> <b>CSC-12-12</b> <b>SSC-12-12</b>	.790 / .800	
WSB-16 BSB-16	<b>BRC-16-16</b> <b>CSC-16-16</b> <b>SSC-16-16</b>	1.070 / 1.080	
WSB-20Z BSB-20Z	<b>BRC-20Z-20</b> <b>CSC-20Z-20</b> <b>SSC-20Z-20</b>	1.420 / 1.430	

### Convoluted Hose Crimp Collar

Hose Part #	Crimp Collar Part #	Crimp Diameter inches (± 0.005)	Crimp Diam. mm
WOC-T04 BOC-T04	<b>CSC-T04-1</b> <b>SSC-T04-1</b>	.503 / .513	
WOC-T06 BOC-T06	<b>CSC-T06-1</b> <b>SSC-T06-1</b>	.645 / .655	
WOC-T08 BOC-T08	<b>CSC-T08-1</b> <b>SSC-T08-1</b>	.794 / .804	
WOC-T10 BOC-T10	<b>CSC-T10-1</b> <b>SSC-T10-1</b>	.982 / .992	
WOC-T12 BOC-T12	<b>CSC-T12-1</b> <b>SSC-T12-1</b>	1.035 / 1.045	
WOC-T16 BOC-T16	<b>CSC-T16-1</b> <b>SSC-T16-1</b>	1.357 / 1.367	
WOC-T20 BOC-T20	<b>CSC-T20-1</b> <b>SSC-T20-1</b>	1.649 / 1.659	
WOC-T24 BOC-T24	<b>CSC-T24-1</b> <b>SSC-T24-1</b>	1.904 / 1.914	
WOC-T32 BOC-T32	<b>CSC-T32-1</b> <b>SSC-T32-1</b>	2.397 / 2.407	

### True ID Smooth Bore Hose Crimp Collar

Hose Part #	Crimp Collar Part #	Crimp Diameter inches (± 0.005)	Crimp Diam. mm
WTB-T04 BTB-T04	<b>CSC-T04-2</b> <b>SSC-T04-2</b>	.503 / .513	
WTB-T06 BTB-T06	<b>CSC-T06-2</b> <b>SSC-T06-2</b>	.633 / .643	
WTB-T08 BTB-T08	<b>CSC-T08-2</b> <b>SSC-T08-2</b>	.802 / .812	
WTB-T12 BTB-T12	<b>CSC-T12-2</b> <b>SSC-T12-2</b>	1.035 / 1.045	
WTB-T16 BTB-T16	<b>CSC-T16-2</b> <b>SSC-T16-2</b>	1.326 / 1.336	
WTB-T24Z BTB-T24Z	<b>CSC-T24-2</b> <b>SSC-T24-2</b>	1.932 / 1.942	



## Crimp PTFE Hose Fittings Recommendation Guide

• see pages 797-801 for PTFE hose fittings

### Standard Nominal Smooth Bore Crimp Collar

Hose Part #	Crimp Collar Part #	Crimp Diameter inches (± 0.005)	Crimp Diam. mm
WSB-03 BSB-03	<b>CSC-03-03</b> <b>SSC-03-03</b>	.300 / .310 0.305	
WSB-04 BSB-04	<b>BRC-04-04</b> <b>CSC-04-04</b> <b>SSC-04-04</b>	.325 / .335 0.34	
WSB-05 BSB-05	<b>BRC-05-05</b> <b>CSC-05-05</b> <b>SSC-05-05</b>	.395 / .405 0.4	
WSB-06 BSB-06	<b>BRC-06-06</b> <b>CSC-06-06</b> <b>SSC-06-60</b>	.471 / .480 0.475	
WSB-06T BSB-06T	---	.540/.550	
WSB-08 BSB-08	<b>BRC-08-08</b> <b>CSC-08-08</b> <b>SSC-08-08</b>	.575 / .585 0.58	
WSB-10 BSB-10	<b>BRC-10-10</b> <b>CSC-10-10</b> <b>SSC-10-10</b>	.685 / .695 0.69	
WSB-12 BSB-12	<b>BRC-12-12</b> <b>CSC-12-12</b> <b>SSC-12-12</b>	.790 / .800 0.83	
WSB-12T BSB-12T	---	.970/.980	
WSB-16 BSB-16	<b>BRC-16-16</b> <b>CSC-16-16</b> <b>SSC-16-16</b>	1.070 / 1.080 1.075	
WSB-16T BSB-16T	---	1.190/1.200	
WSB-20Z BSB-20Z	<b>BRC-20Z-20</b> <b>CSC-20Z-20</b> <b>SSC-20Z-20</b>	1.420 / 1.430 1.42	

### Convuluted Hose Crimp Collar

Hose Part #	Crimp Collar Part #	Crimp Diameter inches (± 0.005)	Crimp Diam. mm
WOC-T04 BOC-T04	<b>CSC-T04-1</b> <b>SSC-T04-1</b>	.503/.513	
WOC-T06 BOC-T06	<b>CSC-T06-1</b> <b>SSC-T06-1</b>	.645 / .655	
WOC-T08 BOC-T08	<b>CSC-T08-1</b> <b>SSC-T08-1</b>	.794 / .804	
WOC-T10 BOC-T10	<b>CSC-T10-1</b> <b>SSC-T10-1</b>	.982 / .992	
WOC-T12 BOC-T12	<b>CSC-T12-1</b> <b>SSC-T12-1</b>	1.035 / 1.045	
WOC-T16 BOC-T16	<b>CSC-T16-1</b> <b>SSC-T16-1</b>	1.357 / 1.367	
WOC-T20 BOC-T20	<b>CSC-T20-1</b> <b>SSC-T20-1</b>	1.649 / 1.659	
WOC-T24 BOC-T24	<b>CSC-T24-1</b> <b>SSC-T24-1</b>	1.904 / 1.914	
WOC-T32 BOC-T32	<b>CSC-T32-1</b> <b>SSC-T32-1</b>	2.397 / 2.407	

### True ID Smooth Bore Crimp Collar

Hose Part #	Crimp Collar Part #	Crimp Diameter inches (± 0.005)	Crimp Diam. mm
WTB-T04 BTB-T04	<b>CSC-T04-2</b> <b>SSC-T04-2</b>	.503 / .513	
WTB-T06 BTB-T06	<b>CSC-T06-2</b> <b>SSC-T06-2</b>	.633 / .643	
WTB-T08 BTB-T08	<b>CSC-T08-2</b> <b>SSC-T08-2</b>	.802 / .812	
WTB-T12 BTB-T12	<b>CSC-T12-2</b> <b>SSC-T12-2</b>	1.035 / 1.045	
WTB-T16 BTB-T16	<b>CSC-T16-2</b> <b>SSC-T16-2</b>	1.326 / 1.336	
WTB-T24Z BTB-T24Z	<b>CSC-T24-2</b> <b>SSC-T24-2</b>	1.932 / 1.942	



## Glossary of Terms

### A

<b>ANSI</b>	American National Standards Institute, Inc.
<b>API</b>	American Petroleum Institute
<b>ASME</b>	American Society of Mechanical Engineers
<b>ASTM</b>	American Society for Testing and Materials
<b>Anodize</b>	A process for aluminum, similar to zinc or chrome plating steel, in which an aluminum part is electrically charged then, dipped in various chemicals to produce various colors and/or surface hardness.

### B

<b>Burst Pressure</b>	The pressure at which rupture occurs.
-----------------------	---------------------------------------

### C

<b>Chamfer</b>	To cut an angle on the hose tube to aid in stem insertion and to prevent the hose end from flaring when a stem is inserted.
<b>Clamp</b>	A metal fitting, band or wire used around the outside of a hose end to secure a coupling, fitting or nipple.
<b>Cold Flow</b>	Continued deformation or movement of rubber under stress.
<b>Compression Set</b>	The deformation that remains in rubber after it has been subjected to and released from stress such as a clamp. The longer the stress is maintained the more definitive the deformation.
<b>Coupling</b>	A device at the end or ends of a length of hose that allows a connection to be made.
<b>Crimping</b>	The act of forming the metal sleeve or ferrule of a hose fitting with a surrounding series of die segments to compress the hose within the fitting. The crimping process changes the shape of the entire circumference and length simultaneously. Often interchanged with the term "swaged".

### D

<b>Durometer</b>	An instrument for measuring the hardness of rubber.
<b>Durometer Hardness</b>	A numerical value which indicates the resistance to indentation of the blunt indenter of the durometer.

### E

<b>Elastomer</b>	Any of various elastic substances resembling rubber.
<b>Expansion Ring</b>	Typically refers to a type of fire hose couplings that are attached by expanding a sleeve (usually brass) outward to compress the hose against the wall of the bowl of the coupling.
<b>External Swage (Swaging)</b>	A ferrule is passed through a reducing die, usually split, to bring the ferrule OD down to a predetermined size (for proper coupling retention) forcing the hose tube down into the stem serrations.

### F

<b>Ferrule</b>	A collar placed over a hose end to attach the fitting to the hose. The ferrule may be crimped swaged, forcing the hose against the shank of the coupling, or the shank may be expanded, forcing the hose out against the ferrule, or both.
----------------	--



## Glossary of Terms

<b>G</b>	
<b>Gripping Finger</b>	The part of the clamp that goes over and behind the stem collar to aid in clamp retention.
<b>H</b>	
<b>Hard Coat</b>	An anodizing process in which the surface hardness of aluminum becomes similar to or greater than that of case hardened steel.
<b>I</b>	
<b>Internal Expansion (IX)</b>	A plug (or bullet) is pulled through a stem or a set of blades (fingers) increase the stem ID to the plug OD or a predetermined setting when using expansion blades (fingers). This forces the stem serrations into the hose tube and the hose cover into the serrations of the ferrule.
<b>J</b>	
<b>JIC</b>	Joint Industrial Committee
<b>JIC Thread</b>	Typically refers to the threads on hydraulic fittings having 37° conical sealing surfaces.
<b>M</b>	
<b>MSHA</b>	Mine Safety and Health Administration
<b>N</b>	
<b>NSF/ANSI Standard 61</b>	Drinking Water System Components was published in 1988 to establish minimum requirements for the control of potential adverse human health effects from products that contact drinking water.
<b>Nipple</b>	The section of the fitting that is inserted into the hose. Also known as the shank of a coupling.
<b>Nominal</b>	A dimensional value assigned for the purpose of convenient designation.
<b>O</b>	
<b>Operating Pressure</b>	The pressure at which system functions, also known as Working Pressure
<b>P</b>	
<b>PSI</b>	Pounds per square inch
<b>PSIG</b>	Pounds per square inch gauge
<b>Perlast®</b>	Perfluoroelastomer (FFKM) is the most chemically resistant elastomer available and is effectively a rubber form of PTFE. Perlast® perfluoroelastomer grades provide other properties which prove most valuable in critical sealing applications where purity, high temperatures and retention of sealing force are paramount.
<b>Permanent Fitting</b>	The type of fitting which, after it is applied, cannot be removed for reuse.
<b>Polymer</b>	A macromolecular material formed by the chemical combination of monomers having the same or different chemical composition.
<b>Proof Pressure</b>	A specified pressure which exceeds the hose assemblies rated working pressure to indicate its reliability at normal working pressure. Follow RMA's testing guidelines for specific pressures and duration's for various types of hose.
<b>PTFE</b>	Versatile polymer, polytetrafluoroethylene
<b>R</b>	
<b>RMA</b>	Rubber Manufacturers Association
<b>Reusable Fitting</b>	The type of fitting that is designed to be removed from a hose and recoupled on another hose.

## Glossary of Terms

### S

<b>SAE</b>	Society of Automotive Engineers
<b>SAE Threads</b>	Similar to JIC except 45° conical sealing surfaces
<b>SCFM</b>	Standard Cubic Feet per Minute. Typically refers to the amount of compressed air a compressor can produce.
<b>Safety Factor</b>	A ratio used to establish the working pressure of a hose based upon the burst pressure. Typical Safety Factors are as follows: <ol style="list-style-type: none"> <li>1. Water hose up to 150 psi WP: 3 to 1</li> <li>2. Hose for all other liquids, solid materials suspended in liquids or air and water hose over 150 psi WP: 4 to 1</li> <li>3. Hose for compressed air and other gases: 4 to 1</li> <li>4. Hose for liquid media that immediately changes into gas under standard atmospheric conditions: 5 to 1</li> <li>5. Steam hose: 10 to 1</li> </ol>
<b>Serration</b>	The part of the shank (stem) that grips the hose tube.
<b>Shank</b>	The section of the fitting or coupling that is inserted into the hose.
<b>Sintered</b>	Process in which powdered metal is formed in a mold under extreme pressure to form a finished part.
<b>Styrene Butaline Rubber</b>	Also known as SBR
<b>Surge</b>	A rapid rise and decrease of internal pressure.

### T

<b>Torque</b>	Amount of force required to turn an object. Usually measured in inch pounds (in. lbs.) or foot pounds (ft. lbs.)
<b>Tube</b>	The innermost part of the hose that's purpose is to contain the media being transported. Usually, rubber compounds or plastics are blended to give the tube specific properties so that it is compatible with certain media.

### U

<b>UHMW</b>	Ultra High Molecular Weight. Next generation of chemical hoses after cross-linked polyethylene having a thin tube liner made from extremely dense material giving it excellent chemical resistance properties.
-------------	--

### V

<b>Victaulic Groove</b>	A style of couplings that has a groove cut near the end of the stem where threads would typically be. The couplings are attached using a "C" shaped clamp that fits into the grooves on the stem.
-------------------------	---

### W

<b>WOG</b>	Water, Oil, Gas. Pressure rating for valves handling these products. This does not include steam.
<b>WP</b>	Working Pressure
<b>Working Pressure</b>	The maximum pressure to which a hose assembly will be subjected to including pressure surges.

### X

<b>XLPE</b>	Cross-Linked Polyethylene tube material that has good chemical resistance properties.
-------------	---

	Page #		Page #		Page #	
<b>Index</b>		<i>Adapters, continued</i>		<i>Air, continued</i>		
		Nipple	750	with Watts filter	141	
		Oxy-acetylene	363	Sharkbite® push-fit fittings	318, 319	
		Pipe	235, 238, 241, 262, 264, 266, 750	Tool lubricant	156	
	<b>A</b>			Valves	134, 142, 158-160, 695-715	
	Adapters		Polycarbonate	Wilkerson combo unit w/ frame	141	
	Aviation	94	Rocker lug	594	Air Chief	
	Bayonet style dry disconnect	764	Reducing	749	A Series	152
	Bevel seat	480	Rubber hose	458, 497	Ball swivel connectors	
	Boss™	112	Sanitary	458-460, 480, 488, 497, 502	with Air chief plugs	143
	Brass		Side seal	757	Quick disconnect	144-147
	Pin lug	85, 579, 580, 583, 586, 587, 594, 595, 597, 600, 604	Steam service	109	Stainless steel	144-147
	Rocker lug	583, 588, 595, 597, 599, 600	Tank transport	763	Air King™	
	Brewery hose	458	TTMA flange	782	Clamps	124
	British instantaneous	602, 603	Tuff-Lite	373	Compressor Y	125
	Cam and groove	12, 13, 28, 29, 34, 35, 42, 43, 47-58, 60, 68-72, 81, 82, 84-85	with grounding tab	59	Ferrules	124, 125
	Adjustable hose bumper stops	172	Aero-seal	381, 382	Global	123, 124
	Compression	182	Agricultural		Global 4-lug	123
	Double male	582-584	Bauer quick connects	306-309	Lanyards	126
	Drum thread	695	Check valves	429	Safety clip	126
	Dry disconnect	92, 96	Air		Safety pin	126
	Dry gas	98	Blow guns	161-165	Stainless steel clip	126
	Female to male	591-594, 650	Brake fittings	204-207	Universal couplings	122, 123
Fill pipe	759	Check valves	142, 160, 528-530, 712-714	Universal swivels	125	
Flange	728, 749	Couplings	119, 120, 122-124, 127, 128, 130-134	Washers	126	
Flareless bite fittings	426, 427	Dryers, desiccant	259	with ferrules	125	
Forestry	665	Gauges, process	275	with gauge port	125	
GHT	341	Hose, polyurethane	166	Air line		
Gravity drop	760	Hose reel, manual	172	Shut-off valves	158, 236, 238, 241, 713, 714	
Grooved	750	Hose reel, retractable	171	Swivels	169, 170	
Hydrant	70	Hose, self-storing	166, 167	Aluminum		
Hydraulic	408	In-line lubricator base	137	Adapters		
LIQUIfit™	315	LIQUIfit™ fittings	313-316	Long handle	603, 606, 607	
LP gas hose	119-121	Receiver manifold, ASME	140	Rocker lug	606, 607	
				Cam and groove adapters	85, 604	



	Page #		Page #		Page #
<i>Aluminum, continued</i>					
Caps	612	Automotive quick disconnects	143, 149,	Blow guns	
Breakable	616	150		Extended nozzle	165
Drum gate valves	695	Aviation, dry couplings	93, 94	Extensions	162
Hydrant booster	559	Axe	663	High volume	163, 164
Manifolds	563	Axial restraint pipe couplings	720	Pistol grip	165
Manifolds connectors	157	<b>B</b>		Premium	161
Nozzles		Back flow preventer	336	Safety	164–165
Street cleaning	622	Backflow preventer	674	Safety air booster	161
Plugs	614	Ball		Typhoon	164
Storz		Check valves	529	Boss-Lock™	
Adapters	606, 607, 609	Cone check valves	712	Cam and groove	12, 31, 32, 35-46, 48,
Bracket	610	Full flow	686, 687, 773, 774	49, 51, 52, 54, 55, 60, 61, 70-72, 74-77	
Caps	610	Nozzles	765	EZ Boss-Lock™	12, 31, 32, 37, 39,
Gaskets	610	Seat, female	350	41, 45, 48, 54, 55, 61, 70, 72, 76	
Rigid	605, 608	Shut-off	625, 626	Boss™	
Swivels	606, 607	Swivel connector		Adapters	112
Valves		with Air Chief plugs	143	Assembly information	110
Ball	561–563	Swivels	169, 321, 350	Clamps	108, 116, 117
Butterfly	564	Valves	316, 317, 430, 678–690, 692,	Fittings wth ferrules	112
Gate	556–559	693, 696–706, 773–804		Ground joint knurled nut	111
ANSI split flange adapter	749	150# flanged	689	Ground joint seal couplings	111, 113
Anti-freeze lubricant	156	Bronze	678, 679	Hose menders	115
API		Band clamp		Male stems	115
Certified couplings	445	Band and buckle	389	Spud x hose shank	115
Couplers	64, 67, 783	Set screw	389	Washer seal couplings	113, 114
Dust cap	760	F series	385	Wing nut caps	112
Rack cords	784	K series	386	Boss™ LPS	
Valves	67, 783	Smooth ID	387	Hammer union caps and plugs	27
ARO-speed quick disconnects	151	Tools	388, 389	One-piece 150# flange to weld adapters	27
ASA flange		Barbed push-on fittings	145, 146, 148-153,	One-piece flange adapters	26
Quick-connect	307, 310		355–358	One-piece hammer union nuts	24
ASME air receiver manifold	140, 141	Bayonet style dry disconnects	764	Two-piece hammer union nuts	24
Automatic		Bell reducers	749	Vent-lock™ cam and groove couplings	
Drain	232	Bent stem swivels	170		28, 29, 31
Safety couplers	148	Bevel seat fittings	477–481	Brass	
Automatic drain vent valve	554			Adapters	737

## Description Index

	Page #		Page #		Page #
<i>Brass, continued</i>		<i>Brass, continued</i>		<i>Brass, continued</i>	
Pin lug	85, 579, 580, 586, 594, 595, 597, 600, 604	Inserts	183, 346-347	Push-on male NPT hose barb	366
Rocker lug	583, 588, 595, 597, 599, 600	Jack chains with S-hooks	77	Reducer bushings - NPT	367
Ball valves	681, 682, 700, 701, 704, 705	Lead free fittings	364-368	Reducer couplers - NPT	367
Barbed hose fittings	120, 133, 134, 145-153, 299, 304, 324, 325, 338, 339, 346-350, 355-358, 374	90° Elbow - NPT	364	Solid hex head plug - NPT	365
Boss™		90° female pipe elbows - NPT	366	Street tee - NPT	367
Clamps	116, 117	90° street elbows - NPT	366	Lever external drains	159
Ground joints	113	Adapters - NPT	367	Long shank fittings	304
Male stems	115	Close pipe nipple - NPT	365	LP gas hose couplings and adapters	119, 120
Caps	611	Female garden hose swivel fittings	368	Male swivel inserts	349
Caps and plugs	613, 614	Female hex couplings - NPT	367	Menders	299
Combination nipples	285	Female hose barb - solid - NPT	364	Monitors	622
Compression fittings	180-183	Female hose x female hose swivel	368	Needle valves	159
Connections	567	Female hose x female pipe NPT swivel	367	Nickel plated push-in fittings	188, 189, 191, 192
Roof	572-574	Female pipe tees - NPT	366	Nipples	
Connectors	177, 180, 184, 188, 189, 198-201, 203, 204	Female swivel hose barb - dual angle seat	364	Double male hex	582-584
Domestic	594, 595, 597	Hose barb tee splicer	365	Female to male hex	591-594, 650
Dual lock	133, 134	Hose splicer	365	Washdown	617
Elbows	178, 179, 181, 185, 188-191, 198-200, 202, 205, 319, 345, 347, 348, 355	Long pipe nipple - NPT	365	Nozzles	
External drain cocks	159	Male branch tees - NPT	366	Adjust-A-Power	620
Ferrules	351, 363	Male garden hose	368	Ball shutoff	618
Flare	177-179	Male hex nipples - NPT	367	Fog	617-621
Gauges	275, 279	Male hose barb - NPT	364	Garden hose	620
Hex nipples	582, 583, 591-594, 599, 650	Male hose x female pipe adapter	368	Master Stream	622
Hex plugs	342, 738	Male hose x female pipe adapter	368	Monitor	622
Hydrant adapters	586, 587	Male hose x male pipe x female pipe	368	Plain hose	619
Hydrant body	576, 577	Pipe cap - NPT	365	Rack	619
Identification plates	575	Push-on female swivel hose barb - dual angle	366	U.S. Coast Guard Approved	621
				Nylon/nickel-plated push-in fittings	189-191
				Plugs	613
				Push-in fittings	184-186
				Push-on fittings	354-358
				Reusable fittings	359-361
				Sash chains with pull rings	77



	Page #		Page #		Page #
<i>Brass, continued</i>				<i>Cam and groove, continued</i>	
Short shank fittings	300, 301	Bulkhead fittings	342, 741	Handles	69, 75, 76, 83
Sidewalk assemblies	571	Bull plugs	718	Hydrant adapters	70
Sleeves	183	Bull plugs with tap	718	Jump size	47, 48, 50, 51, 84
Swivels	595, 597, 600	Butterfly valves	524-526, 709-711, 750	Locking caps	48
Tees	179, 182, 186, 188, 189, 191, 198-200, 202, 203, 206, 319, 345, 348, 734	Valves		Notched fittings	71-73
Threaded unions	178, 342, 731	Butterfly	527	Phonograph finish	70
Turbo garden hose nozzle	330	Buttweld fittings	60-61, 488, 493, 497	Polypropylene	86, 87
Valves		<b>C</b>		Port on lug	47
Adj. press. restricting device	545	Cables		Pull ring	76
Adjustable angle	544	King™	138, 139	RailCar unloading assemblies	64
Angle	545-547	Cam and groove		Reducing cplrs. & adps.	47, 48, 50, 51, 84
Chicago pattern	549	Actuator style	97	Screen	62
Drip	549	Adapters	12, 13, 28, 29, 31, 34, 35, 42, 43, 49, 50-55, 57-60, 66, 68, 70, 72, 73, 81, 82, 84-86, 96, 752	Specialty items	56
Gate	550-553	Boss™ LPS	28, 29, 31	Spool adapters	49, 84
Pressure reducing	540-543	Clips and lanyards	75-77, 126	Spool couplers	49, 84
Sprinkler hose	554	Couplers	12, 13, 28, 29, 31, 32, 34, 36-41, 44-55, 58, 59, 61, 72, 73, 75, 76, 81, 82, 83, 85, 87, 95, 604, 761	Strap-grip	74, 390
Straight globe	548	Crimped fittings	12-17, 19, 23, 32, 38, 39, 42, 290, 292-295	Swaged	71
Wharf hydrant	676	Crimp sleeves	14, 15, 292, 293	Tank car fittings	62, 63, 68, 69
Wall plate	578	Disk strainers	76	TTMA slip on x socket flange	57, 66
Water regulators	210, 251	Dry disconnect	64, 95, 96	Vapor recovery couplers	59, 785
Wyes		Dust caps	28, 29, 31, 44, 45, 48, 83, 87	Velcro straps	77
¼ turn ball type	555	Dust plugs	28, 29, 31, 46, 83, 86 with pull handle 46	Vent-Lock™	28, 29, 31
¼ turn plug type	555	Elbows	52-54, 86, 87	Welding fittings	60, 61 butt weld to tube 60
Plain	552	Flanged couplers and adapters	55, 57, 58, 62, 66	Witches hat strainers	76
Break-away coupling		Flanges	84	<b>Caps</b>	
Industrial	89	Gaskets	58, 69, 78-80	Aluminum	612, 616, 762
Marine	88	Global	13, 32, 81-84	API, dust	760
Breakaway coupling				Blank end	750
Bevel seat	481			Boss™ wing nut	112
Clamps	465			Brass	611
Breakaways	89, 782			Breakable	616
TTMA	89, 782			British instantaneous	603
Breather vents	154			Dix-Lock™	132
Broom, water	331			Dust	761

## Description Index

	Page #		Page #		Page #
<i>Caps, continued</i>		<i>Check valves, continued</i>		<i>Clamps, continued</i>	
Dust, cam and groove	29, 33, 44, 45, 48, 75, 83, 87	Swing	714	Marine grade	381
Dust, hydraulic	395-402	TrueSeal™	317	Worm gear racks	384
Fill pipe	759	Uni-directional	195	Claw type fittings	122-125
Hammer union	27	Chicago type fittings	122-126, 140	Cleaning	
Hydrant, iron	614	Clamps 378-387, 391-394, 405, 406, 433		Lava, heavy duty hand soap	791
Instrumentation	176	3 segment	453	Close nipples	260, 344, 742
Lockable	48	Accessories	388	Coil-Chief	167
Lok-on	358	Aero-Seal®	381, 382	Combination nipples	18-20, 285-287, 290, 291, 297
LP gas	121	Air King™	124	Global	287
Nylon	376, 761	Band	385, 386	Sleeves	288
Pipe	736, 738, 740	Bolted	391, 393, 394	Combination units	
Plastic	615	Boss™	108, 116, 117	Series 1	258, 259
Polycarbonate	616	Center punch	385, 387	Watts	272
Sanitary 457, 473-475, 479, 485, 488, 502, 510, 539		Constant torque	383	Wilkerson	212, 227-231
Specialty	614	Construction kit	379	Composite mini ball valves	193
Stainless steel	614	Dairy	454	Compound gauges	281
Tank transport	763	Double bolt	391	Compression bibb faucet	694
Thermoplastic	615	HTM Hi Torque	383	Compression fittings	180-183
Universal hose	615	Hydraulic	406	Compressor Y valve	125
Vacuum relief	775	Kits	384	Conical mufflers/filters	154
Vapor	761	Pinch-on	378	Connections	
Vent	775	Quick release	384	Brass	567
Carded FRL's	244	Racks	384	Concealed type	571
Chains		Sanitary 452-454, 483, 487		International shore	676, 727
Jack	614	Sanitary accessories	454	Roof	572-574
Check valves	549	Service kit	379	Siamese	568-570
800 PSI stainless steel	712	Single bolt	391	Single inlet	567
Air relief check valves		Smooth ID	387	Connectors, push-in	184-192, 198-203, 318-319
Dimensions	531	Spiral	392	Constant flow nozzle	623
Ball cone	712	Stepless ear	379	Constant torque clamps	383
In-line	194, 195	Strap-grip	74, 390	Continuous spring guard	796
Safety	142	T-bolt	393, 394, 453	Contractor pressure gauges	277
Series C	160, 429	Toggle	453	Couplers	785
Spring loaded	713	Tools	379, 388, 389	API	67, 783
		Wave seal	382		
		Worm gear	380, 384		



## Description Index

	Page #		Page #		Page #
<i>Couplers, continued</i>		<i>Couplings, continued</i>			
Bayonet style dry disconnect	764	Quick release	746	Drip leg auto drain	260
Legris	148	Rigid	746	Drum faucets	694
Parker E-z-mate	148	Standard	744	Drum plug wrench	694
Quick connect	146, 147, 150-153	Straub	720, 721	Dry	
with grounding tab	59	Crimp		Aviation	93, 94
Coupling		Collars	801	Desiccant air	259
Air King™ quick-acting	124	Crimped fittings		Gas	98
Air King™ universal	122	Cam and groove	12-17, 23, 32, 38, 42, 290, 292-295	Gauges	275-278
Bayonet style dry disconnect	764	King™ combination	285-287, 290	Quick disconnects	64, 91, 92, 764
Cam and groove	12, 13, 28, 29, 31, 34, 36-41, 44-55, 58, 59, 61, 72, 73, 81-84, 87, 95-97	Sanitary	450, 451	Dryers	
Dix-Lock™ quick acting	130-132	DIN external crimp stem	450	Desiccant air	218
Dry quick disconnects	88-98	True ID	800, 801	Dry hydrant	
Dual Lock quick-acting	133, 134	Crimping tools	352, 353	Low level strainer	667
Equipment	434, 446	Crows foot type fittings	122-125	Strainers	667-671
Global Air King™ quick-acting	123	<b>D</b>		Dual Lock	
Global Air King™ universal	123	Desiccant dryer, FRL	218, 259	Flanged knurled locking	134
Ground joint	110, 118	Diameter tape	791	Gaskets	133
Hydraulic	395-406	Differential pressure indicator	236	Locking key	133
Insertor	789	Diffuser	552	Quick-acting couplings	133, 134
Long shank	303, 304	Digital gauges	282	with ferrule	134
LP gas hose	119-121	DIN fittings	473	Dual Y Valves	134
Lubricant	788	Disk strainers	76	Dust caps	761
Safety break-away	88, 89	Display, FRL	243	Aviation	94
Sand blast	127	Dix-Lock™		Cam and groove	29, 33, 44, 45, 48, 83, 87
Short shank	300, 301, 305, 338, 372	Cap	132	with pull handles	44
Spray hose	303	Converter	132	Dry gas	98
Steam service	109	Gaskets	131	Dry quick disconnect	92
Straight through	324	Quick acting couplings	130-132	Threaded	376, 764
Surelock™ quick acting	128	D.O.T.		Dust plugs	121, 761, 764
Couplings		Air brake fittings	207	Aviation	93
Booster hose	655	Air brake tubing	208	Cam and groove	33, 46, 83, 86, 95
High density polyethylene	745	Push-in fittings	200-203	Dry gas	98
Lightweight flexible	744	Double		Dry quick disconnect	91
Lite®	745	Bolt clamps	391	<b>E</b>	



	Page #		Page #		Page #
Elbows		Elevated temperature washdown nozzle	321	<i>Ferrules, continued</i>	
Air brake	205, 206	Equipment		I-line	484
Angle	675	Clamp tools	379, 389	Instrumentation	176
Bevel seat	480	Coupling inserters	789	Internally expanded	443
Cam and groove	52-54, 86, 87	Crimpers	352, 353	King Crimp™	16, 17, 294, 295
Coaxial	756	Cutters	370	Heavy duty	23
Compression	181	for Push-on fittings	358	Short frac	18
Continuous swivel	675	Rams	434	Notched	71, 73, 289, 439
Drop	752, 753, 755-757, 760	Test pumps	790	Oxy-acetylene	363
Flare	178, 179	Exhaust muffler		Petroleum	445
Flareless bite fittings	426-428	Wilkerson	231	Pipe size	487, 488
Grooved	748	Expansion		Quick weld	465, 500
Hydraulic	409, 410	Machines	651	Stainless steel	71, 73, 289, 448
Instrumentation	174, 175	Expansion ring couplings	653, 665	Fill pipe	
JIC	357	Expansion unit assembly	653	Adapter caps	759
LIQUIfit™	313-316	External crimp ferrules	16, 17, 294, 295	Adapters	759
Metal hose fittings	722	External drain cocks	159	Filter/Regulators	
Nickel plated	188	Externally swaged fittings	289, 436-441	Accessories	241, 242, 261-267, 273,
Nylon	374, 375	EZ Boss-Lock™	12, 29, 31, 32, 37, 39, 41,	Carded	274
Polypropylene	86, 87, 375		45, 48, 54, 55, 61, 70, 72, 76	FRL	210, 211, 223, 224, 252, 269
Push-in	185, 187-191, 198-200, 202	<b>F</b>		Mini's	210, 211
Quick connect	308, 311	Faucet		Series 1	252
SAE, 45° swivel	357	Adjustable	694	Watts	269, 270
Sanitary	461, 480, 493-495, 501, 535,	Bibb	694	Wilkerson	223, 224
	536	Drum	694	Filters	
Sharkbite®	319	Ferrule crimping tools	352, 353	Accessories	233-236, 261-263, 273
Storz	607	Ferrules		Airline	213, 214, 246, 247
Street	345, 733	Air King™	125	Carded	244
Suction	675	Bevel seat	478, 479	Disposable in-line nipple	136
Threaded, 45°	347, 734	Brass	351, 363	Hydraulic	
Threaded, 90°	345, 347, 348, 416,	Clamp	455, 456	In-line	430
	732, 733, 740	Crimped, sanitary	451	Inlet	330
Threaded side outlet	735	Externally swaged	289, 438, 439	In-line, air/oil	136, 155
Tuff-Lite	374, 375	Global Air King™	124	Lubricator	137
Electrically actuated	696, 698, 700, 702,			Mini in-line	155
	704			Oil removal	248

## Description Index

	Page #		Page #		Page #
<i>Filters, continued</i>		<i>Fire Hose, continued</i>		<i>Fire Hose, continued</i>	
Series 1	246-248	Hydrant		Storz	557-561, 563-566, 605-610, 631, 634, 651, 667-669
Watts	268, 269	Caps	614, 615	Storz fittings	631, 634, 668, 669
Wilkerson	209, 213-217	House	672	Strainers	663, 667-671
Filters, Regulators, Lubricators	209-274	Wrenches	631-633	Suction	599, 600, 603, 610, 633, 675
Filters / Strainers		Hydrant connections	70	Swivels	555-560, 562, 564-566, 581, 595-598, 600, 601, 603, 606, 607, 654, 658, 667, 669, 675
Dual units	518	Hydrants		Tank	671
Wire cloth mesh over screens	517	Adapters	85, 586-588, 594, 604	Valves	540-564, 663, 671
Finger type clamps	108, 116, 117	Boosters	559	Wall plates	578
Fire hose		Concealed two way wall	576	Washers	654
Adapters	85, 548, 583-590, 594, 596-602, 604, 609	Connections	567	Wrenches	631-634, 663
Pin lug	85, 579, 580, 583, 586, 587, 594, 595, 597, 600, 604	Gate valves	552, 553	Fire jacket for hose	795
Rocker lug	583, 585, 588-590, 594-601, 606, 607	Wharf	676	Fire tape	795
Axe	663	Jacket	795	First aid kit	794
British instantaneous fittings	602, 603	Layflat hose cutter	652	Flame retardant hose and cable protection	795
Cabinet	672	Manifolds	563	Flange	
Cam and Groove	85, 604	Menders	652	Code 61 / Code 62 hydraulic	
Caps	611, 612, 614-616	Monitors	622	Split flange kit	408
Pin lug	611	Nipples	582, 591-594, 650, 656	Floating	20, 291
Rocker lug	611	Nozzles	335, 617-623, 625-630, 662	Gaskets	58
Cap test gauges	614	Pin rack	656	Slip-on	57, 66
Connections	567-570, 572-574, 676, 727	Plugs	613, 614	Tube OD wall	508
Couplings	653	Pin lug	613	Tube OD weld	506
Threaded	652	Rocker lug	613	Flanged	
Elbows	675	Pump test headers	578	Adapters	26, 55-57, 727, 728, 749
Storz	607	Push pull drain valve	554	Assemblies	440
Flange	608	Rack	619, 646, 656, 659, 661	Combination nipple	20, 287, 291
Forestry mop up	664	Rectangular identification plates	575	Couplers and adapters	55-57, 84
Gaskets	628, 629	Reels	657-661	Dry aviation	94
Gauges	673	Replacement swivel	581	Dry break	96
Hand hydrotest pump	674	Roller	674	Dry gas	98
Hose	635-650, 664	Round identification plates	575	Dry quick disconnect	91, 92
Hose couplings	653, 655	Siamese clappers	568-571		
		Single jacket 500#	643		
		Snoots	579, 580		
		Spanner wrenches	302, 631-634		
		Sprinkler line tester	673		



## Description Index

	Page #		Page #		Page #
<i>Flanged, continued</i>					
King Crimp™	725	FRL's		Gas	
Quick-connect, fittings	306, 307, 310, 311	Accessories	233-242, 261-267, 273, 274	Dry couplings	98
Storz	608	Carded	244	Regulators	250
Tee	56	Combination units	212, 227-230	Gaskets	58, 69, 78-80, 87, 120, 131, 133, 302, 303, 309, 311, 312, 335, 446, 466-470, 476, 482, 486, 490, 610, 628, 629, 727, 751, 762, 782
TTMA extensions	786	Displays	243	Gate valve	
Weld adapters	27	Series 1	244-267	Self-closing	695
Flanges	726-727	Watts	268-274	Gauges	168, 236, 275-282, 519, 673
Hydraulic		Wilkerson	209-243	Line test	673
NPTF port	407	Fuel nozzles	100, 101, 768-772	PITOT	673
Pipe socket weld	407	Fuel receivers	100, 101	Sprinkler system	673
SAE port	407			Three way	673
Flare fittings	177-179	<b>G</b>		Gravity drop adapters	760
Flareless bite fittings	426-428	Garden hose		Grease whip assemblies	362
Flat face fittings	409, 410	Accessories	320-338	Grip-L couplings	720
Flexogen®, garden hose	332	Adapters	341-343	Grooved couplings	747, 748, 750
Flexzilla®, garden hose	332	Back flow preventer	336	Grooved fittings	
Flomax connectors		Compression bibb faucets	336	End caps	750
¾" series	107	Country Club® RT	333	Gaskets	751
Diesel fueling system	100-102	Fittings	336-340, 354	Lightweight	744
Fuel vent	100-102	GHT zinc hose	337	Mechanical tees	747
Gravity fill receiver	102	GHT coupler and adapter	337	Nuts and bolts	751
High flow 1" series	107	Hose	332, 333	Quick release	746
R series	99, 105, 106	Hot water rubber reinforced	333	Rigid	746
Service box	102	Lok-on hose fittings		Series 45	748
Standard	99, 103, 104	Caps	358	Series 90	748
Flow chief food grade fittings	448-450	Marine, camper, patio & pool	333	Series AN	750
Flow control valves		Nozzles	321-323, 328-330, 334-336	Series BE	750
Hydraulic	429	Perfect water	332	Series EC	750
Legris	193, 194	Premium rubber	333	Series FA	749
Flush face hydraulic fittings	401	Quick connectors	337	Series RA	749
Fog nozzles	623, 624	Quick couplings	328	Series SF	749
Food grade fittings	452-539	Rubber vinyl	332	Series T	747, 748
Foot valves	312	Spray valves	338	Standard	744
Frac	18, 21, 22, 26	Top level PVC	332		



	Page #		Page #		Page #
<i>Grooved fittings, continued</i>		<i>Holedall™, continued</i>		<i>Hose, continued</i>	
Valves	686, 687, 773, 774	Petroleum	445-447	Menders	115, 298, 299, 349, 358, 375, 377
Grooved nipples	286, 750	Rams	434	Mill	635-638
Grooved stem style ext. crimp ferrule	16-17, 294-295	Swaging machines	434	Mop Up	664
Grooved valves	750	Hookie - hook hose lifter	718	MSHA approved	645
Groove lube	751	Horizontal swing check valves	714	Nitrile	639-641, 647, 648
Ground joint		Hose		Nominal smooth bore	797
Fittings	108, 111, 113, 118	300# single jacket	642	Non-collapsible	650
<b>H</b>		400# nitrile covered	647	Non weeping	664
Hammer unions	25, 716, 717	500# single jacket	644	Potable water	645
Caps	27	500# single Jacket	643	PTFE	797
One-piece nut	24	800# double jacket	644	Rack	646, 656, 659, 661
Plugs	27	Air, self-storing	166, 167	Racks	172, 661, 789
Two-piece nut	24	Braided rubber	330	Reels	171, 172, 657-661
Hand cleaner, Lava	791	Bumper stops	172	Roller	674
Handles, cam and groove	69, 75, 76, 83	Cabinet	672	Room equipment	791
Hangers		Chemical	649	Spiral protection	795
Pipe	489	Contractors	333	Spray couplings	303
Tube	507, 508	Crimper	353	Stations, water and steam	320
Hastelloy fittings	34, 285	Cutters	370	Storage	672
Hex bushing	140	Diameter tape	791	Swivels	125, 169, 170, 798
Hex bushings	343, 730	Expanders	651	True ID	800
Hex manifolds	157	Fire	635-648	Hose assembly tool	358
Hex nipples	260	Fire jacket for hose	795	Hose couplings	
Hex plugs, brass	342, 738	Fittings, barbed	120, 133, 134, 145-153, 324, 325, 348-350, 354-358, 374, 375	Booster	655
Holedall™		Flexogen®	332	Expansion rings	654
Couplings	440, 441, 444, 445	Flexzilla®	332	Swivel	658
DIN external crimp stem	450	Garden	332, 333	Washers	654
Expander machine	446	Hand crank reel	330	Hot & cold water washdown stations	320
Ferrules	438, 439, 443-445, 448, 451	Hot water reinforced	333	Hot water washdown hose	320
Flanged assemblies	440	Hot water washdown	320	Hot water washdown nozzle	321
Food grade fittings	448-450	Hydrostatic test pumps	790	Hydrant	
Nipples	437	Hydrotest pump	789	Adapters	335, 586-588, 594
Notched ferrules	439	Knife	791	Boosters	559
Notched stems	439	Mallet	791	Caps	614, 615
				Concealed two way wall	576

	Page #		Page #		Page #
<i>Hydrant, continued</i>		<i>Hydraulic, continued</i>		<b>K</b>	
Connections	567	Mini	431	Keychains	154
Diffuser	552	Multiport	431	King™	286
Gate valves	552, 553	VEP series	402	Beveled end	286
House	672	VH series	403	BSPT end	286
Wharf	676	Water-blast	404	Cables	138
Wrenches	631–633	WS series	400	Cam and Groove	13
<b>Hydraulic</b>		<b>I</b>		Adapters	12, 13
3000 series	396	I-line fittings	483–485, 510	Couplers	12, 13
5600 series	397	Industrial		Combination nipples	18-20, 285-287, 290, 291, 297
7800 series	399	Hydraulic couplings	395	Global	287
Adapters	408	Internally expanded fittings	442	Sleeves	288
Agricultural	398	Quick connects	143-148	Crimp style	285-287, 296-298, 300, 301, 303, 451, 725
BSPP fittings	425	Safety break-away	89, 121	150# ASA fixed (welded) flange	20
Clamps	405, 406	Injector nozzles	328	Adapters	13
Code 61 / Code 62 flange adapters	408	Inlet filter	330	Combination nipples	19
Code 61 / Code 62 flanges	407	In-line		Combination nipples and sleeves	18
Dust plugs and caps	395-402, 404	Check valves	195	Domestic cam and groove	12
Filter	430	Desiccant dryers	218	Ferrules	16, 17
Flat face fittings	409, 410	Filter, air	136, 137, 155, 169	Global Cam and Groove	13
Flush face	401	Filter, mini	155	Nipples for floating flanges	20
Industrial	395	Flow control	193, 194	Short frac ferrules	18
Metric fittings	424	Lubricators	136, 155	Sleeves	14, 15
NPTF fittings	420-424	Lubricators base	137	TTMA flange x King Crimp™	20
Quick-connect	324, 325, 395, 397, 398, 401, 403	Swivels	169	Ferrules	16, 17, 294, 295
Return line	405	In-line sight glass	56	Heavy duty	23
Split flange kit	408	Inserts		Flanged	20, 287, 291
Valves		Tuff-Lite	371	Floating flange	20, 291
Check	429	Instrumentation fittings	173-176	Frac	18, 21, 22, 26
Control	429	Interlocking clamps	108, 116, 117, 124	Grooved end	286
High pressure ball	430, 688	<b>J</b>		Hose menders	298
Full-bore 3-way	430	Jack chains	614	PF shank	297
Needle	431	JIC fittings	349, 357, 414-419, 722, 798, 800		
Bleed	432	Joint sealant gasket material	788		
Block and bleed	432				

	Page #		Page #		Page #
<i>King™, continued</i>					
Quick-acting	123, 124	Lubricants		Menders	115, 298, 299, 349, 358, 375, 377
Shank couplings	300, 301, 303	Air tool	156	Merchant couplings	743
Sleeves	14, 15, 292, 293	Anti-freeze	156	Metal hose fittings	722, 723
Short	23	Lubricators		Metric	
<b>L</b>		Accessories	239-241, 265, 266, 274	Push-in fittings	198, 199
Lance, spray and extensions	327, 328	Carded	244	Tubing	198
Lanyards	76, 126	EconOmist® compact	224, 225	Mini	
Lead free fittings	364-368	EconOmist® standard	225-227	Ball valves	193
Leak detector	788	In-line	136, 155	Carded	244
Legris fittings	187-195	Mini	211	Combination units	212, 245, 258
Legris tubing	197	Series 1	253-257	Filter/regulators	210, 211, 245
Lever drain cocks	159	Micro-fog	253-255	Filters	155, 209, 245
Lever ring, quick connector	309	Oil-fog	256, 257	Lubricators	155, 211, 245
Lincoln interchange quick disconnects		Pyrex® sight feed dome	255	Regulators	155, 209, 210, 245, 251
	143, 153	Watts	271	Monitor	
Line strainer	328	Wilkerson	211, 212, 224-229, 239-241, 243	Brass nozzle	622
Line strainers	714, 715	<b>M</b>		Omega™	622
LIQUIfit™ fittings	313-316	Magnetic thermometers	284	Steel FirePro™	622
Lockable caps	48	Maintenance and repair		Muffler	
Locking ball valves	679, 680, 683, 684	PTFE tape	787	Conical	154
Locking kit, dry disconnect	95	Make-a-clamp kit	384	Exhaust	231
Lockout valves	232	Mallet, hose	791	Speed control	154, 708
Lok-on fittings	354-358	Manifolds		Mulconroy	434
Caps	358	3 in 1	157	<b>N</b>	
Long shank couplings	303, 304	Air receiver	140, 141	Needle valves	
LP		Aluminum	563	Air	159
Boss™ male stems	74, 115, 406	Aluminum bar	157	Hydraulic	431
Gas hose coupling & adapters		GHT, 4-valve	336	Nipple	
	119-121	Hex, flat	157	Pin rack	656
Metal Acme caps	121	Modular	192	Nipples	
Plastic Acme caps	121	Regulator	250	3500	135
Plastic dust plugs	121	Marine break-away coupling	88	Brass female to male	591-594, 650
Safety break-away coupling	121	Marine grade worm gear clamps	381	Brass male hex	582, 583
Wrench	120	Mechanical tees	747	Close	260, 344, 376, 742
				Combination	285, 286, 287, 297

## Description Index

	Page #		Page #		Page #
<i>Nipples, continued</i>		<i>Nozzles, continued</i>			
Filters	136	Garden hose	321, 328-330, 334, 335, 620, 624	NYFD	545, 547, 550, 552, 568, 569, 572, 580, 581, 584, 587, 593, 595, 599, 600
Grooved	286	High pressure spray	329	Nylon fittings	297, 299, 371-377
Hex	260, 296, 342, 343, 737, 742	Holders	127, 330	Nylon protective sleeve	796
Hex welding	723	Industrial grade	323	Nylon tubing	198
King™	285, 287, 296, 297	Industrial pistol grip	624	Nylon Tubing	196
Notched turned back	289, 725	Injector	328	<b>O</b>	
Octagon	723	Master Stream	622	Octagonal nipples	723
Pipe	344, 723, 742	Monitor	622	Oil removal filter	248
Polypropylene	297, 739	Multi-pack	329	Oil spill kits	791
Swage	719	Overwing aircraft	766	Oil vapor removal filter	248
Nitrile washdown hose	639-641	Pistol grip adapter	626	Open flex 1L couplings	721
Northline	585	Plain hose	619	OSHA valves	142
Notched		Pressure	326, 329, 766, 767, 775	Oxy-acetylene	
Cam and groove fittings	71-73	Quick connect	329	Adapters	363
Ferrules, Holedall™	71, 73, 289, 439, 724	Rack	619	Connecting spuds	363
Stems, Holedall™	289, 439	Single gallonage	626, 627	Ferrules	363
Turned back nipples	289, 724	Soap	329	Hose couplings	363
<b>Nozzles</b>		Solid brass	334, 335	<b>P</b>	
4AN military with fog tip	621	Spray	321-323, 329	Panel builder gauges	277
Adjustable constant gallonage	626	Stainless steel	322, 323	Parker Ez-Mate	148
Adjustable tri-flo selectable gallonage	627	Street cleaning	622	Petroleum fittings, API	445
Adjust-A-Power	334, 620	Sweeper	335	Petroleum fittings, Holedall™	444-447
Ball	765	Temperature indicating	322	Phonograph finish fittings	297
Ball shutoff	618, 625, 626, 662	Thermoplastic	628	Pinch-on clamps	
Constant flow	335, 623, 626, 630	Tips	618	Double ear	378
Dual gallonage constant flow	627	TriFlow fog	624	Single ear	378
Econo fog	624	Turbo	330	Pin lug	
Elevated temperature	321	Twist	334	Adapter	335
Fire hose	335	U.S. Coast Guard Approved	621	Couplings	62-64, 300, 301, 303, 763
Flexible water	336	Utility	766	Pipe	
Fog	617, 618, 621, 623, 624, 628, 629	Washdown	321, 617	Adapters	750
Forestry	623	<b>Nozzles accessories</b>		Caps	762
Fuel	765-767, 770, 771	Multi-plane hose swivels	772	Couplings	744-747
		Single plane hose swivels	772		
		NPT threaded fittings	723, 730-743		



	Page #		Page #		Page #
<i>Pipe, continued</i>					
Grip-L	720	Polished fittings		Push pull drain valve	554
Open-Flex 1L	721	Elbows		Push to connect fittings	318, 319
Cross	736	Sweep	495	PVC tubing	369
Hangers	489	Polycarbonate		<b>Q</b>	
Nipples	344, 742, 743	Hydrant adapters	594	Quick-acting couplings	123, 124, 128, 130-134
Play pipes	620	Polyethylene tubing	196	Quick connect	
Plugs	764	Polypropylene		Air fittings	123, 124, 128, 130-134, 144-147, 149-153
Adjust-A-Plug	616	Ball valves	715	Cam and groove	31-66, 81-86
Aluminum	614	Bolted fittings	741	Quick-connect	
Ball swivel	143	Cam and groove fittings	86, 87	Agri-Lock style	306, 310, 311
Brass	613	Pipe fittings	739, 740	Bauer style	306-309
British instantaneous	603	Sleeves	507	Hydraulic fittings	324, 325, 395, 397, 398, 401, 403
Bull	718	Polyurethane		Straight through	324, 325
Bull with Tap	718	Air hose	166	Quick couplings and plugs	328
Compression	182	Tubing	196, 197	Quick release couplings	746
Dust, cam and groove	33, 46, 83, 86	Pop-off valves, safety	158	Quick weld ferrules	465, 500
with pull handle	46	Poppet valve	109	<b>R</b>	
FDC	616	Positioners	708	Racks	
Fill	239	Pressure guns	326	Fire hose	656
Fixed	328	Lances	327	Hose	172, 661, 789
Hammer union	27	Telescoping	328	Mixing station	320
Hex head	342, 376, 738, 740	Pressure recommendations	811-813	Worm gear clamp	384
Hydraulic flat face	410	Process gauges	275	Radiator bibb	336
Instrumentation	176	PTFE		Railcar unloading assemblies	62-69
LIQUIfit™	315	Gaskets	762, 782	Railroad tank car	67
LP gas	121	Hose	797	Fittings	62, 63, 67, 68
Poppet valve	109	Fittings	799	Gaskets	69
Push-in fittings	191, 199	Insertion tool and dies	799	Reducer	
Quick-connect	144, 145, 149, 151-153, 309, 311, 325	Sealant	788	Adapters	47-51
Square head	376, 736	Tape	787	Bell	749
with pull handle	761	Pump adapters	582, 738, 741	Combination nipples	287
Pneumatically actuated valves	697, 699, 701, 703, 705, 709, 710	Punch style clamps	385-387		
Pneumatic test pump	790	Push-in fitting kit	192		
		Push-in fittings	184-192, 198-203		
		Push-on fittings	299, 354-358, 377		
		Push-on fittings tool	358		



	Page #		Page #		Page #
<i>Reducer, continued</i>		<b>S</b>		<i>Sanitary, continued</i>	
Couplers	47-51	SAE fittings	349,	European fittings	473-476
Quick connect	308, 309	350, 356, 357, 380, 401, 405, 407-413, 415,		Ferrules	455, 456, 465, 478, 479, 484,
Sanitary	463, 480, 497, 498, 504, 538	417-419, 430, 688, 737, 738			487, 488, 500, 539
Tuff-Lite	372			Filter	514, 517, 518
Reels		Safety		Flanges	506, 508
Hand crank	330	Blow gun	161, 165	Gaskets	466-470, 476, 482, 486, 490
Reelcraft® hose	171, 172	Break-away couplings	88, 89	Gauges	519
Reelcraft® static discharge	784	Cables	139	I-line fittings	483-486
Reels, hose		Shackles	139	Laterals	464, 499, 505
Continuous flow	657, 658	Check valves	142	Nuts	454, 474, 475, 477, 508
Covers	660	Clips and lanyards	76, 77, 83, 126	Pipe hangers	489
Swing type	660	Industrial, break-away	89	Quick weld ferrules	465, 500
Heavy duty	660	Information	9, 807-810	Reducer	463, 480, 497, 498, 504, 538
Pipe brackets	660	Locking pin	129	Sight glasses	510, 511
V swing	659	Marine, break-away	88	Spray balls	512, 513
Regulators		Shut-off valves	142, 158	Strainers	514-518
Accessories	236-238, 241, 242, 263,	Tape and tag	794	Swivels	520, 521
	264, 267, 274	Vented ball valves	680	Tees	462, 496, 503, 536, 537
Carded	244	Whipsock	139	True wyes	464, 499, 505
Dial air	218	Sand blast couplings	127	Tube hangers	507, 508
Gas	250	Sanitary		Tube OD fittings	493-502
General	250	Adapters	458-460, 480, 488, 497, 502	U bends	464, 499, 505
High flow	220, 222	Bevel seat fittings	461, 477-482, 493	Valves	
High pressure	221, 222	Biopharm fittings	534-539	Ball	522, 523
Manifold	250	Bolted clamps	453, 483	Butterfly	524-527
Mini general purpose	155, 250	Breakaway coupling	465, 481	Check	528-530
Mini water	210, 251	Buttweld fittings	493-505	Tank vent	531, 532
Replacement springs	236, 263	Caps	457, 474, 475, 479, 485, 488,	Weld fittings	455, 456, 460, 465, 478,
Series 1	249-251		502, 510, 539		479, 484, 487, 488, 493-506, 535-539
Water	251	Clamp accessories	454	Welding	
Watts	270	Clamp fittings	452-472, 487, 488,	Liners	473-475
Wilkerson	209-211, 218-224, 236-238		493, 494, 524-526, 535-538	Males	474, 475
Replacement handles		Clamps	452-454, 483, 487	Wrenches	474, 475, 477
Cam and groove	75, 83	Crosses	463	Sanitary crimp fittings	
Right hand couplings	363	Elbows	461, 480, 493-495,	Bevel seat	450
Rostra type fittings	444-446		501, 535, 536	Clamp end	450



## Description Index

	Page #		Page #		Page #
<i>Sanitary crimp fittings, continued</i>				<i>Stainless steel, continued</i>	
Ferrule, 304 stainless	451	Sleeves	14, 15, 23, 183, 206, 207, 288,	Clip	126
I-line	450		292, 293, 489, 507	Combination nipples	285–289
Tube weld end	450	Sleeving	796	Dry disconnect	91
Sanitary (IX) fittings		Snoots	579, 580	Dry quick disconnect	92, 95, 96
Bevel seat	449	Soap, high pressure nozzle	329	Ferrules	71, 73, 176, 289, 439, 448,
Clamp end	448	Solenoids	708		724
Ferrule, flow chief	448	Spanner wrenches	302, 474, 475	Gate valves	691
Male NPT	449	Special city threads	593	Gauges	275, 277-280, 282
Tube weld end	448	Speed control mufflers	154, 708	GHT adapters	341
Scovill type fittings	444	Spill kits	791	Hose swivels	767
Screw pitch gauge	581, 791	Spiral		Inserts	206, 305
Security chains	77	Hose and cable protection	795	Lockable ball valves	683, 684
Self-closing gate valves	695	Hose clamps	392	Menders	298
Self-storing air hose	166, 167	Splicers		Notched shank cam and groove	72,
Series 1 FRL's	243-267	Reusable	361		73
Service station equipment	752–767	Tees	348	Pipe hangers	489
Set screw buckles	389	Spool adapters & couplers		Push-in	187
Shackles	139	Cam and groove	49, 84	Quick couplings	144–147
Sharkbite® push to connect fittings	318, 319	Spray balls	512, 513	Short shank couplings	305
Shore connections	676, 727	Spray hose		Spray balls	512–513
Short shanks	300, 301, 305, 338, 372	Couplings	303	Spray nozzle	322–323
Shut-off		Nozzles	329, 330	Strainers	312
Nozzles	625	Spray nozzles	321-323, 329	Strap-grip	74
Safety valves	158	Spring guard	796	Swaged fittings	71
Valves	236, 238, 241, 713	Spring return handle ball valves	679, 685	Thermometers	283
Siamese	565, 566, 568-571, 574, 577, 578	Sprinkler system gauge	673	Thermowells, threaded	284
Side-entry filter/strainer	515	Squeeze Lok™ hose assembly tool	358	Threaded fittings	730–736
Side-outlet reverse strainer	516	Stainless steel		Thread tape	787
Sight flow indicators	65, 93, 729, 758	Ball cone check valves	712	Tube hangers	507–508
Flanged acrylic sight flow indicators	65	Ball valves	683–685, 698, 699, 702,	Steam	
Flanged short sight flow indicators	65		703	Gauge siphon	284
TTMA pattern	65	Bolted fittings	741	Hose couplings	108, 109
Sight glasses	510, 511	Boss™		Quick disconnects	109
Single bolt clamps	391	Clamps	108, 116, 117	Valve, 250 Lb.	680
Skimmers	312	Ground joint	108, 111, 113, 118	Storz	
		Male stem	108, 115	Accessories	610

## Description Index

	Page #		Page #		Page #
<i>Storz, continued</i>		<i>Swivels, continued</i>		<i>Tank Truck, continued</i>	
Adapters	605, 606, 609	Air King™	125	Swivels	776-780, 786, 798, 800
Bracket	610	Air tool	170	TTMA flange extensions	786
Caps	610	Angled	170	Tank truck equipment	
Gaskets	610	Angled industrial plugs	143	TTMA flange extensions	58
Rigid	605, 608	Ball, with Air Chief plugs	143	Tank vent valves	531, 532
Swivels	606, 607	Ball, with hose barb	169	Tape	787, 791, 794, 795
Storz fittings	631, 634, 668, 669	Bent stem	170	Fire	795
Straight through fittings	324, 325	Connectors for spray gun	321	PTFE tape	787
Strainers	312, 313	Diesel fuel	102	Safety	794
Barrel	668	Dubl-grip reattachables	447	T-Bolt clamps	393, 394
Basket	668	Hose	767	Tees	
Disk	76	In-line	169	Air brake	206
Floating	669	Joints	776-785	Bull head	735
Foot valve	663, 671	Loading arm	786	Compression	182
Line	328	Multi-plane hose	772	Female reducing	735
Low level	667, 671	Single plane hose	772	Female threaded	734
Polyethylene	313	Syracuse valves	695	Flare	179
Polypropylene	670	<b>T</b>		Flareless bite fittings	428
Square hole	308	Tag, hose	794	Grooved	748
Stream	671	Tank car		Hydraulic	
T line	715	Fittings, railroad	62, 63, 65-69	37° flare	417
Witches hat	76, 312	Gaskets	69	Flat face	410
with spring loaded check valves	713	Wrenches	69	Flat face fittings	410
Y line	714	Tank truck		NPTF fittings	423
Strap-grip	390	Adapter x round flange	58	ORB fittings	411, 413
Straub pipe couplings	720, 721	API	67, 783	SAE O-ring	413
Stretch strap	794	Coupler	67, 783	Instrumentation	175
Suction hose couplings	300, 301	Valve	67, 783	LIQUIfit™	314-316
Super King™ shank couplings	303	Coupler x round flange	58	Mechanical	747
Surelock™ quick acting couplings	128	Drop elbows	752, 753, 755-757	Push-in	186, 187, 189, 191, 198-200, 202, 203
Accessories	129	Elbows	752-757	Sanitary	462, 496, 503, 536, 537
Swaged fittings	112, 436-441	Flanged tee	56	Sched. 80 polypropylene	740
Swage Nipples	719	Gaskets	58	Sharkbite®	319
Switches, limit	708	Nozzles	765-772	Side outlet	735
Swivels	520, 521	Pump adapters	738, 763	Street service	735
37° female	415				



	Page #		Page #		Page #
<i>Tees, continued</i>		<i>Tools, continued</i>			
Tuff-Lite	375	Squeeze Lok™	358	Universal couplings	122, 123
Telescoping lance	328	Torque wrenches	792, 793	Unloader, valves	331
Temperature indicating nozzle	322	True ID		Unpolished fittings	
Test and drain valves	554	Fittings	800, 801	Flange	
Test plugs and caps	790	Hose	800	Neck	506
Test pumps	790	TrueSeal™	316, 317	<b>V</b>	
Thermometers		Tube fittings	185–193	Vacuum gauges	281
Bi-metal	283, 284	Tube hangers	507, 508	Valves	750
Magnetic	284	Tubing		3-way	688
Thermowells, stainless threaded	284	Braided	369	3-way diverting	693
Thor style fittings	133, 134	Clear	369	250 lb. steam	680
Thread		Cutters	370	Actuated	696-705, 708-710
Tape, PTFE	787	D.O.T., air brake	208	Actuated valve accessories	708
Tape, stainless steel	787	Fluoropolymer FEP 140	197	Adjustable faucet	694
Threaded		Metric	198	Air blow check	530
Caps	376, 736	Nylon	196, 197	Aluminum	
Elbows	345, 347, 348, 355, 357, 374, 732	Polyethylene	196	2-way ball	561, 562
Sch80 polypropylene	739, 740	Polyurethane	196, 197	3-way ball	563
Tees	734, 735	PVC clear	369	Butterfly	564
Test caps	790	Valves	193-195	Gate valves	556–561
Unions	342, 731	Tuff-Lite fittings	297, 299, 371-377	Jumbo ball	563
Tight fill couplers and adapters	753	Turned back nipples	289, 725	Large diameter	557-559
Tire		<b>U</b>		Relief	
Inflator chuck	168	Unions		Piston intake	560
Inflator gauges	168	Air brake	204, 205	API	67, 783
Pressure gauges	168	Compression	180-182	Ball	430, 678-684, 686-690, 692, 693, 696-705, 685, 773, 774
T line strainers	715	Flare	178, 179	3-way	430
Tools		Flareless bite fittings	427, 428	150# flanged	689
Band clamp		Hammer	24, 25, 716, 717	Ball cone check	712
Jack type	388, 389	Instrumentation	174, 175	Ball, global	682
Screw type	389	LIQUIfit™	314	Ball, mini	692
Brass ferrule crimper	352, 353	Push-in	184, 185, 187, 189-203	Ball, with nozzle	690
Hose cutters	370	Threaded	342, 731	Ball, with NPT tap for drain	680
Mallet	791	TrueSeal™	317		
Push-on	358	Uni-range couplings	440		

## Description Index

	Page #		Page #		Page #
<i>Valves, continued</i>		<i>Valves, continued</i>		<i>Valves, continued</i>	
Brass		Flow control	160, 193, 194, 429	Sanitary	522–532
500# angle	547	Foot	312, 663, 671	Solder end	682
Adj. press. restricting device	545	Full-bore 3-way ball	430	Spray	338
Angle	544–547	Full flow	686, 687, 773, 774	Spring check	528
Automatic drain vent	554	Gate	691	Spring loaded	713
Chicago pattern	549	Self-closing	695	Swing check, horizontal	714
Domestic	544	Globe	692	Tank Filler	156
Drip valves	549	Grooved end iron butterfly	750	Tank vent	531, 532
Gate	550-553	High pressure	688	Thermal relief	331
Grooved inlet	546	High pressure full-bore 3-way ball	430	TrueSeal™	316, 317
Pressure reducing	540–543	High pressure hydraulic ball	430, 688	Two-way	687, 774
Accessories	541	Horizontal swing check	714	Unloader	331
Pressure restricting	544, 545	Industrial wafer ball	685	Wye	663
Sprinkler hose	554	In-line check	195	Vapor recovery couplers	59, 785
Straight globe	548	In-line flow control	193, 194	Velcro straps	77
Test and drain valves	554	Lead free brass ball	682	Vent	
Wedge disc	550, 551	Locking handle	679, 680	Breather	154
Wharf hydrant	676	Lockout	232	Stationary	775
Butterfly	709-711	Needle		Vented grip lance	327
Button	156	Air	159	Vent-Lock™	28, 29, 31
Check	142, 160, 195, 317, 429, 528–530, 549, 712-714	Hydraulic	431	VH series hydraulic	403
800 PSI stainless steel	712	Bleed	432	<b>W</b>	
Compact polypropylene	690	Block and bleed	432	Wafer ball valves	685
Composite mini ball	193	Mini	431	Washdown	
Compressor Y	125	Multiport	431	Hose	320
Deadman handle	679, 685	One-way	686, 773	Nozzles	321, 322
Domestic gate	691	Pneumatically actuated	697, 699, 701, 703, 705, 709, 710	Rack	320
Domestic globe	692	Polypropylene	689, 690, 715	Stations	320
Domestic swing check	714	Poppet	109	Swivel connectors	321
Drum gate	695	Quick exhaust	193	Washers	
Dual Y	134	Release	331	Air King™	126
Dual Y ball	692	Safety check	142	Cam and groove	70, 78–80
Electrically actuated	696, 698, 700, 702, 704	Safety pop-off	158	Fire hose coupling	654
Flanged	689	Safety release	331	Garden hose	335
		Safety vented	680	Ground joint	113, 114



	Page #		Page #	Page #
<i>Washers, continued</i>		<i>Wrenches, continued</i>		
Holedall™ petroleum	446	Spanner	302, 631-634, 663	
Suction and shank fittings	302, 303, 309, 311	Storz	631, 634	
Washer type couplings	110, 113, 114	Torque	792, 793	
Water broom	331	Wrench grips	723	
Water nozzle, flexible	336	Wyes	56	
Water regulators	210, 251	Aluminum		
Water-steam washdown station	320	2-way siamese	565	
Watts FRL's	141, 268-274	3-way siamese	565	
Wave seal clamps	382	4-way siamese	566	
WD-40	788	¼ turn ball	562	
Welding		Jumbo siamese	566	
Cam and groove	60, 61	Plain	562	
Gauges	281	Brass		
Liner	474, 475	¼ Turn	555	
Male	474, 475	Full flow	555	
Nipples	723	Plain	552	
One-piece 150# flange to adapters	27	<b>Y</b>		
Sanitary	455, 456, 460, 465, 473-475, 478, 479, 484, 487, 488, 493-506, 535-539	Y, cam and groove	56	
Threaded fittings	723	Y, compressor	125	
Wharf hydrants	676	Y, connectors	191, 199, 203, 314	
Whipsock	139	Y, dual valve	134, 692	
Wilkerson FRL's	141, 209, 210-243	Y line strainers	715	
Lockout valves	232	Y, unions	203	
Witches hat strainers	76, 312			
Worm gear clamp rack	384			
Worm gear clamps	380, 381, 384			
Marine grade	381			
Wrenches				
Drum plug	694			
Hex	477			
Long handle	69			
LP gas hose	120			
Pin lug	69			

## PART NUMBER INDEX

In the following index, a (\*) is used to represent a variable. Therefore, to find AD075EZ or AD400EZ, look for: **AD\*\*\*EZ**

PART NUMBER INDEX		Page #	Page #	Page #			
		100AWSPSS	60	1094P****	197	1217AR-*	140
		100-B-*	36	1094U****	197	1217AR-4**	140
		100-C-*	12, 38	1094U**R00	197	1217AR-4AKWF	141
		100-D-*	40	10-DBHU-10	174	1217FRAME	140
	Page #	100D-90**	54	10-DCAP	176	1231-***	411
0***	196, 378, 379	100DA-90**	52	10-DELU-10	175	1234-***	415
0****	196	100-DC-*	44	10-DFC-*	173	1238-***	412
0***R	378	100DHAN-AL	786	10-DFPLUG	176	1240-***	413
001-****	362	100-DL-*	55	10-DMC-*	173	1250-94	767
0304C-*	418	100-DP-*	46	10-DTTT-10	175	1250SK	767
0304C-*	418	100DWPSTSS	61	10-DU	174	1251-**H	424
0306-*	419	100DWSP**	61	10EF10-S	324	1254-**H	418
0306-*	419	100-E-*	12, 42	10VEPDP-A	402	1255-**H	413
0318-*	418	100-E-HA	34	10VEPF10	402	125-A-*	35
0318-*	418	100-F-*	43	10WSDP-A	400	125-AA-*	49
0319-*	418	100-F-HA	34	10WSF10	400	125-B-*	36
0319-*	418	100-G-*	78, 79	10WSF10-BOP	400	125-C-*	38
0610-4	795	100-G-***	78, 79	11-009-***	251	125C-90**	53
0817-*	196	100GTFACC	79	1125A	765, 766	125-D-*	40
0817BL100	196	100GTFVI	79	112D	766	125D-90**	54
09-31-00001	676, 727	100GTHK	78	112DNS	766	125-DP-*	46
		100-HP-SP	75	112DSK	766	125-E-*	42
1*	391	100PRSCSS	76	114/2D-TK	766	125-F-*	43
1**	378	100TP	790	1143A	765, 766	125-G-*	78, 79
1***	196, 378, 379, 391	1010-6	795	114D	766	125-G-***	78, 79
1****	196, 381	1012CIPUSH	789	114DAL-AV-16	766	125GTFACC	79
1***R	378	1015-DA-*	47	114DAL-AV-19	766	125GTFVI	79
1**R	378	102****CLF	364	114DAL-AV-25	766	125GTHK	78
156	117	10210-64	795	114D-AV	766	126-****	350
187	117	1025P****	198	114D-AV-06ASM	766	128P*LJ15	440
189	632, 672	103-****	349	114DAVR	766	128P*SO15	440
10-076-004	254, 257	104****CLF	364	114DAV-SK	766	129****CLF	364
100-A-*	35	105-****	349	114DNS	766	12-DBHU-12	174
100-AA-*	49	1091P****	197	114DSK	766	12-DCAP	176
100-A-HA	34	1091U****	197	1204-***	414	12-DELU-12	175
100-AL-*	55	1091U**R00	197	1208-*	196	12-DFC-*	173
100AWBPSTSS	60	1092T****	197	1212-05**4	658	12-DFE-12	174



Part Number Index

	Page #		Page #		Page #		Page #
12-DFE-8	174	13LW	454	13SN	454	14MPHT-R...	458
12-DFPLUG	176	13MHHM...	452	13WGC...	454	14MPW-R...	456
12-DMC-•	173	13MHHM•••••	452	13WGC100-150	454	14MPW-R...	456
12-DMC-••	173	13MHHM•••••••	452	13WN•	454	14PRF-G...	478
12-DME-12	174	13MHHM•••••••SN	452	13WNX	454	14QMP-G...	465, 500
12-DME-8	174	13MHHM•••••SN	452	13WNXM	454	14R-G...	478
12-DRATT-16	174	13MHHM•••••SN	452	1404-••	421	14RMP-G...	456
12-DRATT-8	174	13MHHM-3P...	453	1404-•••	421	14RMP-R...	456
12-DTMT-••	175	13MHHM-3P••••	453	1404-••••	421	14VB-R...	506
12-DTTM-12	175	13MHHM-3P••••••	453	1404-•••••	421	14WHRL-R...	497
12-DTTM-8	175	13MHHM-DP...	452	1405-•••	421	14WI-G...	484
12-DTTT-•	175	13MHHM-DP••••	452	1405-••••	421	14WI-R...	484
12-DTTT-12	175	13MHHM-DP••••••	452	1405-•••••	421	14WLI-G...	484
12-DU	174	13MHHM-Q••	452	14-19-G...	480	14WLI-R...	484
12EF12-S	324	13MHHM-Q•••	452	142-••••	349	14WLMP-G...	455
12P•	440	13MHHM-Q••••••	452	143-••••	350	14WLMP-R...	455
12SFO	408	13MHHV...	487	1430407KLF	364	14WMP-G••	455
12SF XO	408	13MHLA...	453	144-••••	350	14WMP-G•••	455
12VEPDP-A	402	13MHLA100-150	453	144F-•	179	14WMP-G••••	455
12VEPF12	402	13MHP••	453	145-••••	349	14WMP-R••	455
12WSDP-A	400	13MHPV...	487	149F-•••	178	14WMP-R•••	455
12WSF12	400	13MO•••	453	149F-••••	178	14WMP-R••••	455
12WSF12-BOP	400	13MO••••	453	149F-•••••	178	14WMV-R...	487
1310-8	795	13MO100-150	453	14A-G•••	478	14WMX-R•••	487
134-••••	347	13NHN-G••	508	14A-R•••DIN	473	14WQ-G•••	484
139-••••	347	13NHN-G••••••	508	14A-R•••RJT	475	1500SK	767
13BN	454	13PS-••	507	14A-R•••SMS	474	1501-•••	422
13BNH	454	13PS-•••	507	14MPHR-G•••	458	1501-••••	422
13CB-•••	454	13PV-•••	489	14MPHR-G•••••	458	1501-••••	422
13H-G•••	477	13QLH•••	483	14MPHR-G••••••	458	1501-•••••	422
13H-G•••RJT	475	13QLH••••••	483	14MPHRL•••	458	1502-•••	422
13IB	454	13RBN-G•••RJT	475	14MPHR-R••	458	1502-••••	422
13IB6	454	13R-G•••DIN	451, 473	14MPHR-R•••	458	1503-•••	422
13ILB•••	483	13R-G•••SMS	474	14MPHR-R••••	458	1503-••••	422
13ILB••••••	483	13RP	454	14MPHR-R•••••	458	15030FXF••00000	778
13ILH•••	483	13RP6	454	14MPHR-R••••••	458	150-A-••	35
13ILH••••••	483	13SLN	454	14MPHT-R••	458	150A-90••	53



Part Number Index

	Page #		Page #		Page #		Page #
150-AA-••	49	150GPCTF	762	161••	651	16-DMC-••	173
150-A-ALH	35	150GTF••	79	1610-10	795	16-DME-••	174
150-A-HA	34	150GTFACC	79	16101-RH	651	16-DTTM-••	175
150-AL-••	55	150GTHK	78	1630•00CLF	365	16-DTTT-••	175
150AWBPST••	60	150TP	790	164C-••	182	16-DU	174
150AWSP••	60	1510-B-••	50	164C-••••••	182	16EF16-S	324
150-B-••	36	1510-C-••	50	165-••••	344	16SFO	408
150B-90••	53	1510-D-••	50	165-••••CLF	365	16SFXO	408
150-B-ALH	36	1510DAAL	47	165C-••	181	16VEPDP-A	402
150-C-••	12, 38	1510-DA-SS	47	166-••••	344	16VEPF16	402
150C-90••	53	1510-E-••	51	166-••••CLF	365	16WSDP-A	400
150-C-ALH	38	1520-AA-••	49	166FSV-•••	178	16WSF16	400
150CNOSSS	73	1520-DA-••	47	169-••••	345	16WSF16-BOP	400
150-D-••	40	1520-F-••	51	169C-••••	181	17-•••	395
150D-90••	54	156-••••	363	16A-G••	479	17-•••A	395
150DA-90••	52	1565U	767	16AI-14I••	485	17-016-107	260
150-D-ALH	40	158-••••	363	16AI-14I•••R	485	170C-••••	181
150-DC-••	44	159F-•••	179	16AI-15I••	485	171C-••••	182
150-DC-ALH	44	15A-G••	479	16AI-15I•••R	485	172C-••••	182
150DC-L••	48	15A-R•••DIN	473	16AMP-G••••	457	174-••••	343
150-DD-••	49	15A-R•••RJT	475	16AMP-G-••••	457	176-••••	342
150-DL-••	55	15A-R•••SMS	474	16AMP-G-••••••	457	1765A	352
150-DP-••	46	15B15-••RBF	650	16AMP-R••	457	176C-0402	182
150-DP-ALH	46	15B15-100RBF	650	16AMP-R••••	457	177-••••	348
150DWBPST••	61	15B15-100RBS	650	16AMP-R-••••	457	177-••••SS	348
150DWSP••	61	15B15-50RBS	650	16AMP-R-••••••	457	177C-0402	182
150-E-••	12, 42	15B15-100RAF	650	16AMP-R•••DIN	473	1780•0•CLF	365
150-E-ALH	42	15B15-100RAS	650	16AMP-R•••SMS	474	179-••••	348
150-E-HA	34	15B15-••RAF	650	16AMV-G••	488	179-••••SS	348
150ENOSSS	73	15B15-••RAS	650	16AMV-R••	488	1790•••CLF	365
150F-•••	178	15R-G••	479	16AQ-G••	485	1790604BARB	348
150-F-••	43	15WI-G••	484	16-DBHU-16	174	179C-••••	181
150F-90AL	54	15WI-R••	484	16-DCAP	176	18-•••	398
150-F-ALH	43	15WLI-G••	484	16-DELU-16	175	18-••••••	264, 265, 267
150-F-HA	34	15WLI-R••	484	16-DFC-••	173	18•57	274
150-G-••	78, 79	16-•••	395	16-DFE-16	174	180••••F	359
150-G-•••	78, 79	16-•••A	395	16-DFPLUG	176	180••••FSS	359



Part Number Index

	Page #		Page #		Page #		Page #
182****S	359	200A-90**	53	200-F-**	43	2030-F-**	51
182****SS	359	200-AA-**	49	200F90AL	54	2040-AA-**	49
184****A	361	200-A-ALH	35	200F-90SS	54	2040-DA-**	47
18-458-00017	541	200-A-HA	34	200-F-ALH	43	207BH•	342
185****	361	200-AL-**	55	200-F-HA	34	207BH**	342
187****	361	200-AL-SSANSI	55	200-G-**	78, 79	20SFO	408
188**	405	200AWBPST**	60	200-G-***	78, 79	20SFXO	408
189DH	632	200AWSP**	60	200GPC**	762	211-****C	342, 736
19***	398	200-B-**	36	200GTF**	79	213-****	343, 738
1910-12	795	200B-90**	53	200GTFACC	79	213**00CLF	365
110319	755	200-B-ALH	36	200GTHK	78	2143SEALBU	760
112012	754, 755	200-C-**	12, 38	200-HRP-**	75	219-****	342
18500116	379	200C-90**	53	200-HSCRP-SI	75	21MP-G***	459
1A*1-B	152	200-C-ALH	38	200-LH-**	75	21MP-G*****	459
1-HR1004	172	200CNOSSS	73	200-PC-**	762	21MP-G*****	459
1-HR1004-3	172	200-D-**	40	200PRSC**	76	21MP-R**	459
1-HR1004A	172	200D-90**	54	200-PV-9	775	21MP-R***	459
1WAYBV***	686, 773	200DA-45**	52	200-TCA-**	68	21MP-R****	459
1WAYBV***SW	686, 773	200DA-90**	52	200TP	790	21MP-R*****	459
1WAYBV***VIC	686, 773	200-D-ALH	40	200YDAAAL	56	21MP-R*****	459
		200DBAL	622	2010-DA-**	47	2210-14	795
2	391	200-DC-**	44	2015-A-**	50	228-****	344
2•	391	200-DC-ALH	44	2015-B-**	50	22MP-G***	460
2**	378	200DC-L**	48	2015-B-ALNST	85, 604	22MP-G*****	460
2***	378	200-DD-**	49	2015-C-**	50	22MP-G*****	460
2****	311, 381	200DD-45**	52	2015-D-**	50	22MP-R**	460
2****•	261, 263, 265	200DD-90**	52	2015-DA-**	47	22MP-R***	460
2***R	378	200-DL-**	55	2015-E-**	51	22MP-R****	460
2**R	378	200-DP-**	46	2015-F-**	51	22MP-R*****	460
206	117	200-DP-ALH	46	2025-DA-**	47	22MP-R*****	460
212	117	200DWBPST**	61	2025-D-ALNST	85, 604	230FXF**00000	778
225	117	200DWSP**	61	2025-F-ALNST	85, 604	234-80-4	766
233	631, 672	200-E-**	12, 42	2030-A-**	50	234-80-5	766
250	117	200E-90**	54	2030-AA-**	49	2404-***	414
275	117	200-E-ALH	42	2030-B-**	50	2404-****	414
2000L	775	200-E-HA	34	2030-DA-**	47	2404-****•	414
200-A-**	35	200ENOSSS	73	2030-DD-**	49	2405-***	414



Part Number Index

	Page #		Page #		Page #		Page #
2405-...	414	2601-.....	417	2-HR1005	172	300A-90..	53
2405-...	414	2603-.	417	2HTDP	401	300-AA-..	49
2405-...	414	2603-..	417	2HTF2	401	300-A-ALH	35
24PFX-...	448	268B....	347	2VEPDP-A	402	300-A-HA	34
24SFO	408	269C-....	181	2VEPF2	402	300-AL-..	55
24SF XO	408	2700LN-.	418	2WAYBV...	687, 774	300-AL-SSANSI	55
2500HB0000	446	2700LN-..	418	2WAYBV...SW	687, 774	300-ALT-..	58
2500L	775	2701LN-.	419	2WAYBV...VIC3	687, 774	300ASSSAP	763
2500SFV	775	2701LN-..	419	2WCA....F-.	571	300AWBPST..	60
2501-..	416	270AT	358	2WCA....F-SP-.	571	300AWSP..	60
2501-...	416	271-....	355	2WSA....F	571	300-B-..	36
2501-...	416	272....W	358	2WSA....F-.	571	300B-90..	53
2501-...	416	2720...CLF	366	2WSA....F-..	571	300-B-ALH	36
2503-..	417	273-....	355	2WSA....F-SP-.	571	300BR....	731
2503-...	417	280-....	355			300-C-..	12, 38
2503-...	417	282-....	356	3	391	300C-90..	53
250-A-..	35	284-....	356	3..	378	300-C-ALH	38
250-B-..	36	286-....	357	3...	307, 378	300CNOSSS	73
250-C-..	38	287-....	357	3....	307, 381	300-D-..	40
250-D-..	40	287-....SS	357	3...-..	261, 263	300-D-ALPH	761
250-DC-..	44	2870407CLF	366	3...R	378	300D-90..	54
250-DP-..	46	288-....	357	3..R	378	300DA-45..	52
250-E-..	42	288-....SS	357	30-...	396	300DA-90..	52
250-F-..	43	289-....	357	30-...DP	396	300-D-ALH	40
250-G-..	78, 79	289-....SAE	357	30-...F	396	300DAT..SS	47
250-G-...	78, 79	290-....	356	30..RDSSAP	763	300DBAL	622
250GTF..	79	292-....	356	300-..	408	300-DC-..	44
250GTHK	78	294-....	358	300-...	408	300-DC-ALH	44
2510-16	795	294-....SS	358	300-....	408	300-DC-ALPH	44
2520-DA-..	47	2A*2-B	152	3000....	192	300DC-L..	48
2530-AA-..	49	2-DFC-.	173	3002....	283	300-DD-..	49
2530-DA-..	47	2-DMC-.	173	300300MAE	752	300DD-45..	52
2540-AA-..	49	2-DTMT-2	175	3004....	283	300DD-90..	52
25H-...	477	2-DTTM-2	175	3004030MAE	752	300-DL-..	55
25H-.....	477	2-DU	174	3006....	283	300-DLT-AL	58
2601-....	417	2ES2-B	324	3009....	190, 283	300-DP-..	46
2601-.....	417	2-HR1004-3	172	300-A-..	35	300-DP-ALH	46



Part Number Index

	Page #		Page #		Page #		Page #
300-DP-ALPH	46	300-PC-••	762	3040-AA-••	49	31440-225AL	760
300DWB PST••	61	300PC••AP	763	3040ALTAL	58	3148••••	191
300DWSP••	61	300PRSC••	76	3040-B-••	50	3148••••DOT	203
300-E-••	12, 42	300RHC••	732	3040-C-••	50	31665660DOT	202
300E-90••	54	300RHC•••	732	3040-DA-••	47	3175••••	189, 192, 198
300-E-ALH	42	300-SFC-••	762	3040-DD-••	49	31825600DOT	202
300-E-HA	34	300SSSG	323	3040DLTAL	58	31835600DOT	203
300EL90••	732	300-TCA-••	68	3040-F-••	51	3199••••	199
300EL90•••	732	300-TFA	759	306-••••	345	3210-20	795
300ENOSSS	73	300-TFG	752	3060-DA-••	47	322-••••	345, 734
300-F-••	43	300TP	790	31-••	157	322••••CLF	366
300F-90SS	54	306	117	31-•••	396	324-••••	345
300-F-ALH	43	350	117	31-•••DC	396	3240606CLF	366
300-F-HA	34	375	117	310•••••	283	326-••••	345
300FT••	734	3010-RC-SS	762	3101••••	199	3260404CLF	367
300FT•••	734	3014••••	189	3102••••	190, 199	32P•LJ15	440
300-G-••	78, 79, 752	3015-DA-••	47	3102••••DOT	202	32P•SO15	440
300-G-•••	78, 79	3015-F-••	51	3103••••	191	32PFX••••	448
300GPC•	762	302••••CLF	366	3103••••DOT	203	32SFO	408
300GTF••	79	3020-A-••	50	3104••••	191, 192, 199	32SFXO	408
300GTFACC	79	3020-B-••	50	3104••••DOT	202	330FXF••00000	778
300GTHK	78	3020-C-••	50	3106••••	190, 192, 199	340-••-••	408
300GTHKBF	78	3020-D-••	50	3106••••DOT	201	35••	135
300GTTFCB	58, 782	3020-DA-••	47	3108••••	191, 198	35-•••••	336
300GTTFK	58, 782	3020DAT••SS	47	3108••••DOT	202	35-••••-10	694
300GTTFTK	58, 782	3020-E-••	51	3109••••	190, 192, 198	35••WF	135
300H-PADBR	75	3020-F-••	51	3109••••DOT	202	35••WF2	135
300H-PADSS	75	3020-RD-••	762	3113••••	191	3533••	56
300-HRP-••	75	3025-A-ALNST	85, 604	3114••••	198	3534••	56
300-HSCR P-SI	75	3025-B-ALNST	85, 604	3114••••DOT	201	3543••	56
300-LH-••	75	3025-C-••	50	3115••••DOT	201	3544••	56
300-MAE	752	3025-DA-••	47	3116••••	190, 199	3646-54	265
300MICAP••	736	3025-D-ALNST	85, 604	3116••••DOT	201	3700•••CLF	367
300MICAP•••	736	3025-E-••	51	3126••••	191, 199	3710•••CLF	367
300MIU••	731	3025-F-ALNST	85, 604	3129••••	191	373••••CLF	367
300MIU•••	731	3040•••CLF	366	3140••••	191, 192, 199	375••••CLF	367
300-P	752	3040-A-••	50	3140••••DOT	203	377••••CLF	367



Part Number Index

	Page #		Page #		Page #		Page #
3804****	187	400--ALGT	59	400-DVR-AL	59, 785	4030-B**	50
3805****	187	40022ALTAL	58	400DWPST**	61	4030-C**	50
3806****	187	40022DLTAL	58	400DWSP**	61	4030-CVR-AL	59, 785
391137	765	400-A**	35	400DWX5TC	63	4030-D**	50
3810-24	795	400A-90**	53	400-E**	12, 42	4030-DA**	47
33155614	192	400-AA**	49	400E-90**	54	4030-DAVR-AL	59, 785
38025600	187	400-A-ALH	35	400-E-ALH	42	4030-DVR-AL	59, 785
3816****	187	400-AL**	55	400-F**	43	4030-E**	51
3889****	187	400-ALT**	58	400-F-ALH	43	4030-F**	51
390-***	408	400-AS-AL	51	400-G**	78, 79	4030-MAE	752
390-***	408	400AWBPST**	60	400-G***	78, 79	4030-RD**	762
3601****	188	400AWSP**	60	400GAGFI	51	40321TF	58, 782
3602****	189	400-B**	36	400-G-BUSS	62	40322TF	58, 782
3604****	189	400-B-ALH	36	400GPCTF	762	4050-AA**	49
3606****	189	400-C**	12, 38	400GTF**	79	4050-DA**	47
3615****	188	400C-90**	53	400GTHK	78	4050-DD**	49
3675****	188	400-C-ALH	38	400GTHKBF	78	4055-3	795
3ES3-B	324	400-CVR-AL	59, 785	400GTTFCB	58, 782	4060-A**	50
3-HR1004-3	172	400-D**	40	400GTTFK	58, 782	4060-AA**	49
3-HR1005	172	400-D-ALPH	761	400GTTFTK	58, 782	4060-DA**	47
3HTDP	401	400D-90**	54	400-LH**	75	4060-DD**	49
3HTF*	401	400DA-45**	52	400-PC**	762	40A-45TCAL	68
3S--15U-GFB*SS	519	400DA-90**	52	400-TCA**	68	40BS-H***	482
3S--2U-GFB*SS	519	400-D-ALH	40	400-TLT-AL	56	40BS-O***	482
3VEPDP-A	402	400-DC**	44	400TP	790	40BS-S***	482
3VEPF*	402	400-DC-ALH	44	401-01	284	40IE***	486
		400-DC-ALPH	44	401-01S	284	40IH***	486
4	391	400DC-L**	48	401	117	40IT***	486
4**	378, 391	400-DD**	49	418	117	40IV***	486
4***	384	400DD-45**	52	450	117	40MP-E***	466
4****	261-267	400DD-90**	52	4433	754	40MP-EZ***	468
4****	261-266	400-DDVR-AL	59, 785	4530	760	40MPF-E***	469
4****R	261, 265, 267	400-DL**	55	4540	760	40MPF-E****	469
4****RF	261	400-DLT-AL	58	452963	133	40MPF-SFY***	469
4****RL	265	400-DP**	46	4020-DA**	47	40MPF-SFY****	469
4**R	378	400-DP-ALH	46	4025-DA**	47	40MPF-U***	469
40**REV90	577	400-DP-ALPH	46	4030-A**	50	40MPF-U****	469



Part Number Index

	Page #		Page #		Page #		Page #
40MPF-UW...	469	42MP-XC..	467	4-DBHU-4	174	5000-...	421
40MPF-XW...	470	42MP-XW..	467	4-DCAP	176	5000-..	421
40MPF-XW....	470	420190158•	541	4-DELU-4	175	5000-....	421
40MP-G...	467	430FXF••00000	778	4-DFC-•	173	5000-24	760
40MP-G....	467	4380-...	261	4-DFE-2	174	5000-24L	760
40MP-GR...	470	44-251-00006	676	4-DFPLUG	176	5000-25	760
40MP-GRE...	470	4500-5	760	4-DMC-•	173	5000-25RK1	760
40MP-SFY...	466	4500RK	760	4-DME-•	174	500-A-••	35
40MP-SFYZ...	468	4500RK-V	760	4-DRATT-2	174	500-AA-••	49
40MPS-U...	470	450-4S	166	4-DTMT-4	175	500AN4	334
40MP-U...	466	4510-28	795	4-DTTF-4	175	500-AN7	334, 620
40MP-U...DIN	476	452-...	136	4-DTTM-4	175	500AWBPST••	60
40MP-U...RJT	476	4530SG	760	4-DTTT-4	175	500AWSP••	60
40MP-U...SMS	476	4540SG	760	4-DU	174	500-B-••	36
40MP-UW...	466	4540SG-RK•	760	4-DU-2	174	500BFP	336
40MP-UZ...	468	45CIPUSH	789	4EAF•	404	500-C-••	38
40MPV-G...	490	43HTFTFLAL.....	786	4ES4-B	324	500-D-••	40
40MPV-U...	490	43HTFXTFAL.....	786	4-HR1005	172	500DA-90••	52
40MP-XC...	467	44HTFXTFAL.....	786	4HTDP	401	500-DC-••	44
40MP-XW...	467	45HTFXTFAL.....	786	4HTF•	401	500-DD-••	49
40PFX•....	448	430TFTFLAL.....	786	4HTOF•	401	500-DP-••	46
40QH...	486	430TFXTFAL.....	786	4P•	440	500DWBPSTAL	61
40QT...	486	440TFXTFAL.....	786	4PSG	65, 758	500DWSP••	61
40SFO	408	450TFXTFAL.....	786	4RKOBV	786	500-E-••	42
41440-225AL	760	46-003-00001	581	4RKOVIVI	786	500-F-••	43
41450-DCAL	760	46-011-00418	581	4VEPDP-A	402	500-G-••	78
4-1460-AL	65, 758	46-030-00025	541, 543, 676	4VEPF•	402	500GH4VBK	336
41FL-•	179	46F-••	177			500GTCABF	69
41FS-•	179	46F-•••	177	5	391	500GTCABU	69
42777••-000•	277	4895••••	195	5••	378, 391	500GTCATF	69
42F-•	178	48F-••	177	5••••	389	500GTCATV	69
42MP-E••	466	48F-•••	177	5••-••	263	500GTCAVI	69
42MP-G••	467	48F-••••	177	5•••••	261-265, 267	500GTCAVITHK	69
42MP-GRE••	470	48P•LJ15	440	5•••LP	171	500GTFWB	79
42MP-SFY••	466	48P•SO15	440	5••R	378	502••••CLF	367
42MP-U••	466	48PFX•....	448	500•••••	283	5204	783
42MP-UW••	466	48SFO	408	5000-•	421	5300	67, 783



Part Number Index

	Page #		Page #		Page #		Page #
5400	67, 783	5201-SFI-RK1	65, 758	5605•	423	600-B-ALH	36
5030-DA••	47	5204LNG	67, 783	5605••	423	600-C••	12, 38
504-••••	341	5204LSNG	67, 783	56RBSG••	207	600C-90••	53
5040-C••	50	5204LSNGP	67, 783	57-•••	397, 398	600-C-ALH	38
5040-D••	50	5204NG	783	572-••••	354	600-D••	40
5040-DA••	47	5205-RK4	760	574-••••	354	600D-90••	54
5040-E••	51	5300B	67, 783	575-••••	354	600DA-45••	52
5060-AA••	49	5300BC	64, 67, 783	59-•••	715	600DA-90••	52
5060-DA••	47	5300G	67, 783	590••12CLF	368	600-D-ALH	40
5061212CLF	368	5354K21	67, 783	591••••W	335	600-DC••	44
507-••••	341	5400B	67, 783	591••12CLF	368	600-DC-ALH	44
5071212CLF	368	5400G	67, 783	5911212W	376	600DC-L••	48
5081208CLF	368	5404•	420	5HTDP	401	600-DD••	49
509-••••	341	5404••	420	5HTF6	401	600DD-45••	52
5091212CLF	368	5404-••	420			600DD-90••	52
50-A••		5404-•••	420	6	391	600-DL••	55
50-B••	36	5404-••••	420	6••	184-186, 391	600-DLT-AL	58
50-C••	38	5406-••	420	6•••	184-186	600-DP••	46
50-D••	40	5406-•••	420	6••••	739-741	600-DP-ALH	46
50-DC••	44	5406-••••	420	6••••	261	600DWPSTAL	61
50-DP••	46	5406C••	424	6•••••	262, 265	600DWSP••	61
50-E••	42	5406C••	424	600-••••	408	600-E••	12, 42
50-F••	43	5500•	421	6000•	754, 755	600-E-ALH	42
50-G••	78, 79	5500••	421	6000••	753	600-F••	43
50-G-TF-VI	79	5502•	422	6000••C	756	600-F-ALH	43
50-HP-SP	75	5502••	422	6000ASAL	757	600-G••	78, 79
5110-32	795	5504•	422	6000EHK	755, 756	600GTFVI	79
5111A	352	5504••	422	6000NPHK	755	600-HRP••	75
5141212CLF	368	56-•••	397	6000-SSA	757	6030-DA••	47
520•••••	283	5600•	423	600-A••	35	6040-A••	50
5200-SFI	65, 758	5600••	423	600-AA••	49	6040-D••	50
5200-SFI-3	758	5601•	423	600-A-ALH	35	6040-DA••	47
5200-SFI-3-RK1	758	5601••	423	600-AL••	55	6050-DA••	47
5200-SFI-3V-RK1	758	5602•	423	600-ALT-AL	58	60C••	183
5200-SFI-RK1	758	5602••	423	600AWBPST••	60	60NAB•	206
5200-SFIV-RK1	758	5604•	423	600AWSP••	60	60NAB••	206
5201-SFI	65, 758	5604••	423	600-B••	36	60PT••	183



Part Number Index

	Page #		Page #		Page #		Page #
60RB-..	207	6325.....WP2	313	6500-.....	415	68•X••	184
61•••	715	6326.....WP2	315	6500A	753	6803-•	413
61-...•	712	6340.....WP2	314	6501-...•	416	6803-...•	413
61C-...•	183	6351.....WP2	315	6501-...•	416	682C-.....	181
61CL-...•	183	6366.....WP2	316	6501-...••	416	688-...•	405
61NAB•	206	6382.....WP2	316	6502-•	416	68C-.....	180
61NAB••	206	6388.....WP2	316	6502-...•	416	68CIPUSH	789
61RB-...•	207	639C-04	182	6503.....WP2	315	68NAB.....VS	204
61RBSG-...•	207	63NAB•	206	650-4S	166	68NAB...•VS	204
6200	753	63PT-.....	183	6505-...•	415	68NAB••VS	204
6230	754, 756	640-...•••	408	6505-...••	415	68RB-.....B	207
6400	756	6400ARK	756	6505-...•••	415	68RBSG-.....	207
6500	753	6400-DTK	756	6505.....WP2	313	69••X•	185
6200•	753	6400SGK	756	6506-...•	415	69••X••	185
6200-•	754, 755	6401-...•	411	6506-...••	415	69•X•	185
6200••	753-756	6401-...••	411	6506-...•••	415	69•X••	185
6200-...•	754	6401-...•••	411	650-6S	166	690-...•••	408
6200...•	754-756	6403-•	411	6508.....WP2	315	6901-...•	412
6200-15ASSM	754-756	6403-...•	411	6509.....WP2	315	6901-...••	412
6230X	754, 756	6405-...•	412	6579.....WP2	313	6901-...•••	412
62C-...•	180	6405-...••	412	65NAB•	205	6901-...•••	412
62C-.....	181	6405-...•••	412	65NAB••	205	69NAB.....VS	205
62CBH-...•	181	6408HHP-•	413	66••X•	184	69NAB...•VS	205
62NAB•	204	6408HHP-...•	413	66••X••	184	69NAB••VS	205
62NAB••	204	6410-...•	411	66•X•	184	69S••X••	185
62NABH•	204	6410-...••	411	6600-•	417	69S•X•	185
62NBH•	204	6410-...•••	411	6600-...•	417	69S•X••	185
62NBH••	204	6410-40	795	6602-•	417	6-DBHU-6	174
62NFBH•	205	64NAB•	206	6602-...•	417	6-DCAP	176
62NFBH••	205	64NAB••	206	66C-.....	180	6-DELU-6	175
6302.....WP2	314	64P•LJ15	440	66NAB••	204	6-DFC-•	173
6304.....WP2	314	64P•SO15	440	66NAB...•	204	6-DFE-4	174
63046056WP2	314	64PFX•...•	448	66NBH86	205	6-DFPLUG	176
6306.....WP2	314	6500-•	415	67RBSG-...•	207	6-DMC-•	173
6315.....WP2	313	6500-...•	415	68••X•	184	6-DME-•	174
6316.....WP2	314	6500-...••	415	68••X••	184	6-DRATT-•	174
6322.....WP2	316	6500-...•••	415	68•X•	184	6-DTMT-4	175





Part Number Index

	Page #		Page #		Page #		Page #
6-DTTT-6	175	72S•X•	186	7910••••	193	801-E-••	42
6-DU	174	75-•GH-NY	337	7982••••	193	801-F-••	43
6-DU-4	174	7550-A-••	35	7994••••	195	8060-DA-••	47
6ES6-B	324	7550-E-••	42	7996••••	195	80B••-100HAF	649
6HTDP	401	7550-F-••	43	79NAB••VS	205	80B••-100HCF	649
6HTF6	401	75-A-••	35	79NAB••VS	205	80B••-50HAF	649
6VEPDP-A	402	75AWBPSTSS	60			80B••-50HCF	649
6VEPF6	402	75AWSPSS	60	8	391	850•••	447
6WSDP-A	400	75-B-••	36	8••	184, 391	851•••	136
6WSF6	400	75-C-••	38	8•••	184, 336	855A	353
6WSF6-BOP	400	75-D-••	40	8••••	338	856-•	353
		75-DC-••	44	8••••H	338	856-••	353
7	391	75-DP-••	46	8••••LP	171	861-••	353
7••	391	75DWPSTSS	61	850	117	875-4	766
7••LP	171	75DWSPSS	61	855	353	875-5	766
70••X•	185	75-E-••	42	860	353	8-DBHU-8	174
70•X•	185	75-F-••	43	855206	133	8-DCAP	176
700013-•••	136	75-G-••	78, 79	855231	133	8-DELU-8	175
7065••••	193	75-G-•••	78, 79	8320605	338	8-DFC-•	173
70NAB••	205	75GTFACC	79	800-A-••	35	8-DFE-8	174
70NAB•••	205	75-G-TF-VI	79	800-AL-••	55	8-DFPLUG	176
71••X•	186	75-HP-SP	75	800AWSP••	60	8-DMC-•	173
71••X••	186	75TH2R••SS	284	800-B-••	36	8-DME-8	174
71•X•	186	750	117	800-C-••	38	8-DRATT-12	174
71NAB•••VS	206	7600HP	171	800-D-••	40	8-DTMT-•	175
71NAB••VS	206	7610-48	795	800-DC-••	44	8-DTTM-•	175
71S••X•	186	7660••••	193	800-DL-••	55	8-DTTT-8	175
71S••X••	186	7665••••	193	800-DP-••	46	8-DU	174
71S•X•	186	77-•••	399	800DWSPAL	61	8ES8-B	324
71S•X••	186	77-••••	399	800-E-••	42	8HTDP	401
72••X•	186	7770••••	194	800-F-••	43	8HTF8	401
72••X••	186	7775••••	194	800-G-••	78	8SFO	408
72•X•	186	78-•••	399	800-HNP-BR	75	8SF XO	408
72NAB•••VS	206	78-••••	399	801-A-••	35	8VEPDP-A	402
72NAB••VS	206	7800MP	171	801AWBPSTAL	60	8VEPF8	402
72S••X•	186	79-•••	399	801AWSP••	60	8WSDP-A	400
72S••X••	186	79-••••	399	801-DP-••	46	8WSF8	400



Part Number Index

	Page #		Page #		Page #		Page #
8WSF8-BOP	400	915•	430	A325100•••	642	ADH90M••F	666
		94••U••••	148	A330100•••	642	ADHC•••F	666
9	391	96P•LJ15	440	A510100•••	643	ADHP•••F	666
9••	391	96P•SO15	440	A515100•••	643	ADPW	694
900	766	90FRC••••	573	A525100•••	643	ADS400	51
968	117	90FRC••••F	573	AAPN75GHT	334, 620	ADV150F	554
9•••	379			AB•	122	A•F•-B	152
900•	766	A•	124	AB••	122, 124	AFC•••F-TGWP	614
900•34	766	A••	124	AB•••	37	AFN150	623
9000-48S	163	A3•••••UC	642	ABC••	339	AFN150NST	623
9000-MJ	163	A3•••••UC	642	ABC250	616	AG••	727
900SK	766	A5••-50RAF	672	AB•••EZ	37	AH•••	45
900TK	766	A5•••••UC	643	ABH•••••	655	AHA••••ADP	70, 85, 604
900W•••	766	A5•••••UC	643	ABH10150S	655	AHA••BSP••T	738, 763
9076M	136, 155	A5••U••CBF	643	ABH•••••F	655	AHDBF75	694
90CDMHCB•••••	576	A5••U••CBS	643	ABN100•	625	AH•••EZ	45
90CREV••••	577	A7••	750	ABN150•	625	AHGV250	556
90DCS••••F	569	A7•••	750	AC•••	39	AHGV250F	556
90DCS••••F••	569	A315-50•••	642	AC1	126	AHGV250F-H	556
90DCS••••NYFD	569	A320-50•••	642	AC7	77, 126	AHGV250F-I	556
90DCS4025F••	569	A325-50•••	642	ACB304	309	AHW	631
90DCS4030NYFDSP	569	A330-50•••	642	AC•••EZ	39	AHWPT	632
90FR3C••••	574	A510-50•••	643	ACL•	76	AK2079NST	621
90FR3C••••F	574	A515-25•••	643	ACL8	126	AK2079S	621
90IRC••••	573	A515-50•••	643	ACPSO150	626	AK3526-300FL	622
90IRC••••F	573	A515-75•••	643	ACPSO150F	626	AK4450NST	622
90IRC4025G	573	A515OR50RAF	644	AD•••	41	AK••••F	626
90IRC4025GF	573	A515OR50RAS	644	AD400ALEZMTC	63	AKSP1	126
90ISCS4025F	568	A515R50RAF	644	AD90400••	54	AKSP25	126
90PPA•••	86	A515U100CBF	643	ADA••••	48	AL•••	327, 328, 330, 331
90PPC•••	87	A515U100CBS	643	ADA2030EZ	48	AL9	326
90PPD•••	87	A515Y50RAF	644	ADD•••	49	AL455F	328
90PPF•••	86	A525-25•••	643	ADD••••	49	ALTG•••F	673
90SCS4025F	568	A525-50•••	643	AD•••EZ	41	AL-TPR••••	330
90SCS4025NYFD	568	A525-75•••	643	ADH45F••F	666	AL•••XX	327
90TCS••••F	570	A315100•••	642	ADH45M••F	666	AM•	122, 140
90TCS••••F••	570	A320100•••	642	ADH90F••F	666	AM••	122, 124



## Part Number Index

	Page #		Page #		Page #		Page #
AM7T	125	A•S•-B	152	AVAPR•••F	544	B2KMP-G•••	461
AM11WF	125	ASB••	127	AVAPRF•••	544	B2KMP-R••	461
AM11WF-1	125	ASB•••	127	AVAPR•••F-I	544	B2KMP-R•••	461
A•M•-B	152	ASBDV••	549	AVAPRF••••-I	544	B2KM-R•••	494
AMF••	157	ASC•••	127	A•VC•-MG	317	B2KS-G•••P	494
AM•SWIV	125	ASCM••	154, 708	AVF•••	545, 547	B2KS-G•••U	501
AM•WF	125	ASFI••T••B	93	AVF5-250	547	B2KS-R•••P	494
ANH••	127	ASFI••T••T	93	AVF•••-I	546	B2KS-R••P	494
ANH•••	127	ASHV1015F	554	AVG250F-I	546	B2KS-R•••U	501
ANSI••	749	ASP310•-40	136	AVGF250-I	546	B2KS-R••U	501
ANT•••	625	ASP•-BV	154	AV•••-I	546	B2S-G•••P	493
ANT•••F	625	AST•	285	AV•••-N	547	B2S-G•••U	501
APN••••	723	AST••	285	AVN••••-200	750	B2S-R•••P	493
APRD250NYC	545	ASTB••	286	AV•••NYFD	545	B2S-R••P	493
APRD•••F	545	ASTB•••	286	AV•••-RBR	545, 547	B2S-R•••U	501
AQ62DOT•	200	ATC40ASSAPI	64	AV•••S	545	B2S-R••U	501
AQ64DOT•	200	ATC40ASSDDA	64	AV•••-W	541	B2SXL••-R•••	495
AQ68DOT•X•	200	ATCA40	62	AV•••-WR	547	B2WCL-G•••P	493
AQ69DOTS•X•	200	ATCF40	62	AWR4	126	B2WCL-G•••U	501
AQ69DOT•X•	200	ATCF40-90	62	AWR14	126	B2WCL-R•••P	493
AQ71DOTS•X•	200	ATCG40-90	62	AWS6	126	B2WCL-R••P	493
AQ72DOTS•X•	200	ATCGF40	62	AWSG	321	B2WCL-R•••U	501
AR3000-A2	328	ATCS40	62	AWSG-TG	321	B2WCL-R••U	501
AR3500	330	ATCT••	63	AWSG-W	321	B2WK-G•••P	494
AR5000-1	331	ATN100X7	786			B2WK-G•••U	501
AR20831	331	ATS7838F	170	B•	111, 114, 116	B2WK-R•••P	494
AR503830SSP	330	ATS7838M	170	B••	111, 114, 116, 117	B2WK-R•••U	501
AR-BROOM16	331	ATS••••H	170	B2CM-G•••	493	B2WK-R••U	501
AREP400AS	575	ATTFST40CS	68, 291	B2CMP-G•••	461	B2WUL-R•••P	499
ARPW••F••F	562	AV•••	545, 547	B2CMP-R••	461	B2WUL-R•••U	505
ARPW••F••S	562	AV•••••	545	B2CMP-R•••	461	B2WUMP-R•••	464
AR-REEL100	330	AV5-250F	547	B2CM-R•••	493	B6-1	114
ARSMSA•••F	600	AV5-250NYFD	547	B2E-G•••	480	B07-202•GC	244
ARSMSA••F••T	600	AV250NYC	545	B2F-G•••	480	B07•••AG	245
ARTEL18A	328	AV251NYC	547	B2FMP-14-G•••	461	B07•••MG	245
ARTEL-BELT	328	AV251NYFD	547	B2FP-G•••	493	B7MP-G•••	462
AS156	754, 755	AV2531	547	B2KM-G•••	494	B7MP-R••	462



Part Number Index

	Page #		Page #		Page #		Page #
B7MP-R...	462	B18-•MGMB	223	B31W-R.....U	504	B72G-•MG-MB	252
B7MPS-R...	462	B19MPX-R...	488	B31W-R.....U	504	B73G-•AG	252
B7RMP-G.....	462	B19WB-G...	502	B31W-R.....U	504	B73G-•AG-MB	252
B7RMP-R.....	462	B19WV-R...	488	B32W-G.....P	498	B73G-•MG	252
B7RMP-R.....	462	B19WX-R...	488	B32W-G.....U	504	B73G-•MG-MB	252
B7RWWW-G.....P	496	B22WB-G...	502	B32W-R.....P	498	B74G-•AG-MB	252
B7RWWW-G.....U	503	B23BMP-G...	457	B32W-R.....P	498	B74G-•MG-MB	252
B7RWWW-R.....P	496	B23BMP-R...	457	B32W-R.....U	504	B3114MP-G.....	463
B7RWWW-R.....U	503	B23BMP-R...	457	B32W-R.....U	504	B3114MP-R.....	463
B7W-G...P	496	B24PS-G•	507	B38SL-G...	506	B3114MP-R.....	463
B7W-G...U	503	B24PS-G...	507	B38SL-R...	506	B3115F-G.....	480
B7W-R...P	496	B24PV-G...	489	B38W-R...	506	B3214MP-G.....	463
B7W-R•P	496	B24RG-G•	507	B45AB-R...	530	B3214MP-R.....	463
B7W-R...U	503	B24RG-G...	507	B45AB-R.....	530	B3401-••	425
B7W-R•U	503	B24RPH-G•	508	B45AB-RK	530	B3401-•••	425
B7WWW-G...P	496	B24RPH-G...	508	B45BC-R...	530	B3455-••	425
B7WWW-G...U	503	B24RV-G...	489	B45BC-R.....	530	B3455-•••	425
B7WWW-R...P	496	B25-G.....	508	B45BY-R...	529	B3800-••	425
B7WWW-R...U	503	B25-G.....	508	B45BY-RK...	529	B3800-•••	425
B08-02AG	211	B25-G.....	508	B45BY-SK...	529	B3801-••	425
B08-02AGMB	211	B28-•AG	224	B45BY-SKV...	529	B3801-•••	425
B9MP-G...	463	B28-•AGMB	224	B45BY-TB...	529	B5101E...CC-A	524
B9MP-R...	463	B28AMP-R...	464	B45CC-R...	530	B5101E...CC-B	524
B9WWW-G...P	498	B28BMP-R...	464	B45CC-R.....	530	B5101E...CC-C	525
B9WWW-R...P	498	B28-•MG	224	B45MP-R•	528	B5101E...CC-F	527
B11-•WJC	269	B28-•MGMB	224	B45MP-RK...	528	B5101E...CC-G	527
B11-•WJCR	269	B28WA-R...P	499	B46MP-R...	528	B5101E...CC-H	527
B16-•••	395	B28WA-R...U	505	B46MP-RK...	528	B5101-RKE...	525
B16-•••S	109	B28W-R...P	499	B54BMP-R...	510	B5101-RKS...	525
B16-•••S	109	B28W-R...U	505	B54BMPS-GL...	511	B5101-RKV...	525
B16W-G...	502	B31TP-G.....	480	B54BMP-SK...	510	B5101S...CC-A	524
B17-•••	395	B31W-G.....P	497	B54BMPS-R...	511	B5101S...CC-B	524
B17-•••S	109	B31W-G.....U	504	B54BMPS-SK...	511	B5101S...CC-C	525
B17-•••S	109	B31WMP-G.....	456	B54G-P...	510	B5101V...CC-A	524
B18-•AG	223	B31W-R.....P	497	B72G-•AG	252	B5101V...CC-B	524
B18-•AGMB	223	B31W-R.....P	497	B72G-•AG-MB	252	B5101V...CC-C	525
B18-•MG	223	B31W-R.....P	497	B72G-•MG	252	B5102E...-A	526



Part Number Index

	Page #		Page #		Page #		Page #
B5102E...-F	527	BBFVW...E	711	BD...	41	BGHF..	338
B5102E...-G	527	BBLV..	140, 679	BD...EZ	41	BGHM..	338
B5102E...-H	527	BBLV...	679	BDS..	425	BGV..	691
B5102-RKE...	526	BBU..	116	BEC..	750	BGV...	691
B5102-RKS...	526	BBU..	116	BF..	346	BH...	45
B5102-RKV...	526	BBV..	678	BF...	346, 351	BH6	75
B5102S...-A	526	BBV75FP	678	BF30...-.....	517	BH...EZ	45
B5102V...-A	526	BBV100	678	BF302...-.....	517	BHSC34	75
B5121E...-LLBBC	710	BBV...DTW	693	BFC...	160	BHSC152	75
B5121E...-LL-BBC	710	BBV...DTW	693	BFC....	160	BHSC175	75
B5121E...-LLBCC	710	BBV...DW	134, 692	BFL...	351	BHT....	735
B5121E...-LL-BCC	710	BBV...DWV	134, 692	BFM...	351	BIA250..	602
B5121E...-WWBBC	709	BBV...FP	678	BFM...B	351	BIB250..	602
B5121E...-WW-BBC	709	BBV...LV	680	BFMW...	351	BIC150	603
B5121E...-WWBCC	709	BBV...LV	680	BFN...	617	BID250..	602
B5121E...-WW-BCC	709	BBV...SR	679	BFN75	617	BIDC250	603
B5416MP-A...	510	BBV...SR	679	BFN75GHT	617	BIDP250	603
B5416MP-A.....	510	BBV...ST	680	BFNE150	618	BIE150	603
BA..	341	BBV...ST	680	BFNE150NST	618	BIF250..	602
BA...	341	BBV...TW	693	BFN...NST	617, 672	BIT-KIT	326
BA....	342	BBV...TW	693	BFO...	363	BL...	765
BA31-...	764	BBV...VT	680	BFP200	674	BL810R50RAF	649
BA32-...	764	BBV...VT	680	BFS..	350	BL810R50RAS	649
BA61-...	764	BC..	340	BFS...	350	BL810R100RAF	649
BA62-...	764	BC...	39	BFSCN250..	622	BL810R100RAS	649
BAC-...	764	BC61-...	764	BF..SS	346	BLCA152CS	77
BA.F.F	342, 737	BC62-...	764	BFVL...	711	BL...NS	765
BAS...	341	BCC-...	464	BFVL...E	711	BL-RK..	765
BB..	116	BC...EZ	39	BFVW...	711	BL-RK...	765
BB..	113, 116	BCF..	340	BFW...	351	BL-RK...	765
BB...	37	BCM..	340	BFW....	351	BLS..	304
BB3-0.AG	210	BCN..	140, 260, 342, 737	BGB..	113	BLS...	304
BB3-0.AGMB	210	BCN...	260, 342, 737	BGB..	113	BLS...NST	304
BB3-0.MG	210	BCP-...	764	BGE..	162	BLS..NST	304
BB3-0.MGMB	210	BCV...	160	BGE6	162	BLT.....	751
BB...EZ	37	BCW-...	500	BGF..	113	BM..	299, 349
BBFVW...	711	BD	116	BGH..	338	BM....	299, 349



Part Number Index

	Page #		Page #		Page #		Page #
BM••	299, 349	BRN150	619	BST•	285	BVTSO150NST	627
BMA•••	341	BRN150NST	619	BST••	285	BVTSO150NST-200	627
BMAS•••	321	BRN150NST-I	619	BTB-T••	800	BW10150S-PC	655
BMS•	115	BRN150S-I	619	BTB-T••Z	800	BW••AT	655
BMS••	115	BR•••SS	731	BTN75	334, 620	BW••••F-PC	655
BMV••	679	Brute2	651	BU•	116	BWSG	321
BMV100	679	BruteXpand	651	BU••	116, 117	BWSG-TI	322
BN•	335, 619	BS••	117	BV2•	156	BWSG-W	321
BN••	346, 619	BS••••••••	517	BV2BV•••11••	700	BZ4051	759
BN•••	160, 346	BS•••	301, 339, 671	BV2BV•••11-BBC	701	BZ4051S	759
BN••••	160	BS••••••••	517	BV2BV•••11-BCC	701		
BN••BSPT	346	BS••••••••	517	BV2CV•••CC-A	522	C••	744
BN••F	619	BS61•••	764	BV2GG•••CC-A	523	C•••	744
BNH••	127	BS62•••	764	BV2HG•••11••	696	C••••	792
BNH•••	127	BSB••	797	BV2HG•••11-BBC	697	C2	389
BN••NYFD	619	BSB•••••	797	BV2HG•••11-BCC	697	C03-0•A	212
BN•••RU••	360	BSB•••••	797	BV2IC•••WW-A	685	C03-0•AMB	212
BN••RU••	360	BSB••	127	BV2IG•••11••	698	C03-0•M	212
BN•••RU••SS	360	BSB•••	127	BV2IG•••11-A	685	C03-0•MMB	212
BN••RU••SS	360	BSB-20Z	797	BV2IG•••11-BBC	699	C08-02A	212
BNS••	321	BSB••T	797	BV2IG•••11-BCC	699	C11••A	272
BNS••SS	321	BSB••T•••	797	BV2IG•••33-A	685	C11••M	272
BNT•••F	618	B••SC	112, 140	BV3BV•R•••1	704	C16••A	227
BOC-T••	800	BSC••	127	BV3BV•R•••1BBC	705	C16••AMB	227
BP•••••	718	BSCCQ3-R•••	515	BV3BV•R•••1BCC	705	C16••M	227
BPF••	355	BSCCQ4-R•••	516	BV3IG•F•••1••	702	C16••MMB	227
BPF•••	160, 355	BSCCQ•R•••	515	BV3IG•F•••1BBC	703	C18••A	228
BPFS••	355	BSCCS•R•••	515	BV3IG•F•••1BCC	703	C18••AMB	228
BPM•	358	BSKTST••F	668	BVDSO•••	627	C18••M	228
BPM••	358	BSKTST••S	668	BVDSO•••NST	627	C18••MMB	228
BPN••	355	BSM••	342	BVFS••	713	C26••A	228
BPN•••	355	BS••N	301	BVSO•••	627	C26••AMB	228
BP•••••T•••	718	BSO150-H	618	BVSO150-125	627	C26••M	228
BR••••	369, 731	BSO150NST	618	BVSO150NST-125	627	C26••MMB	228
BR••••B	731	BSO150S	618	BVSO•••NST	627	C28••A	229
BR••••FS	731	BSS61•••	764	BVTSO150	627	C28••AMB	229
BR••••G	731	BSS62•••	764	BVTSO150-200	627	C28••M	229



Part Number Index

	Page #		Page #		Page #		Page #
C28-••MMB	229	CF400-•CSHD	23	CI96	789	CSN75	334
C31-08FRAME	141, 231	CFB75GHT	628	CI96AH	789	CSS•••••CS	288
C31-••A	229	CFB250NYC	628	CI9311SML	789	CSS•••••CS	288
C31-••AMB	229	CFB•••CF	628	CILR•••	450	CSSR•••	450
C31-••M	229	CFB•••NST	628	CL••••	369	CSSR•••CS	451
C31-••MMB	229	CFB•••NYF	628	CL••••••	369	CS•••••SS	14, 15, 292, 293
C119-••A	272	CFB•••S	628	CMF••	154	CS•••••SS	14, 15, 292, 293
C119-••AMB	272	CFB•••S	628	CN	103	CSSTF••F••T••	579
C119-••M	272	CF•••••CS	16, 17, 294, 295	CN•••	260, 742	CSSTM25F30T••	579
C119-••MMB	272	CF•••••CS	16, 17, 294, 295	CN•••B	344	CTER•••	450
C33112•	172	CFFR150	623	CNB75GHT	335, 630	CT•••L	383
CAB•••	300	CFFR150NST	623	CNB75GHT-GD	335, 630	CV•••	713
CAB•••N	301	CFG•••NST	628	CN•••G	742	CVS••	77
CAL••	77	CFG•••S	628	CN-P	103	CWG-C-•••••	796
CAP•••FABS	612	CFR-••	657	CN-PLUG	103	CWG-S-•••••	796
CAP•••F-C	612	CFR47-1-•••	657	CN•••SS	742	CWH50	333
CAP•••F-C-LH	612	CFR47-150-•••	657	CPV•••F	549		
CAP•••SABS	612	CFR47-C•	657	CR	384	D••	140, 159, 695
CAP•••S-C	612	CFS800-•CS	18	CR-C	103	D•••	168
CB	111, 114	CF•••••SS	16, 17, 294, 295	CR-CAP	103	D•••••	653
CB6-••AG	223	CF•••••SS	16, 17, 294, 295	CR-S	103	D2C•••••	97
CB6-••AGMB	223	CG•••	389	CRWC	384	D8••Y50RAF	644
CB6-••MG	223	CGN150S	621	CS•••	389	D8••Y100RAF	644
CB6-••MGMB	223	CGN•••NST	621	CS•••••AL	14, 292	D18-04M	230
CBB•••	300	CGN•••TIP	621	CS•••••AL	14, 292	D18-04MMB	230
CBC••	340	CGSN•••F	621	CSB•••	301	D28-••MMB	230
CBSR•••	450	CGSN•••S	621	CS•••••CS	14, 15, 292, 293	D34••	157
C•••BU	744	CH-B-•	77	CS•••••CS	14, 15, 288, 292,	D75AL	695
C••BU	744	CH-B-••	77	293		D150SDB	322
CC	114	CH-B-6	614	CSC-T••-1	801	D201	162
CC••••	167	CH-B-12	614	CSC-T••-2	801	D201RT	163
CC•••••B	167	CH-C-••	77	CSCTF25F30T••	580	D204-30	161
CCF••••	124	CH-SS-•	77	CSCTM25F30T••	580	D204-30P	161
CCH50	333	CH-SS-••	77	CSES150F	675	D204-30SB	161
CD	116, 124	CH-SS-6	614	CSES150T	675	D263	653
CDMHCB•••••	576	CH-SS-12	614	CSES2015F	675	D263F	653
CF400-••CSHD	23	CI9	789	CSM•••	301	D605	162



Part Number Index

	Page #		Page #		Page #		Page #
D815-25***	644	DBV-WB***	747	DDA*****105	92	DFN100-NPNF	769
D815-50***	644	DC•	146, 150	DDA*****105FL	92	DFN100*-NPNF	768
D815-75***	644	DC••	146, 150, 151, 153, 164	DDA***AL	92	DFP****	595
D815Y50RAS	644	DC***	150	DDA***ALFL	92	DFP****F	595
D815Y100RAS	644	DC****	146, 147, 150, 151	DDA***AL***TTMA	92	DFP****F-D	595
D825-25***	644	DCB••	147	DDA***BR	92	DFP••F•S	595
D825-50***	644	DCB****	147	DDA***BRFL	92	DFP••NYFD••NYFD	595
D825-75***	644	DC****L	146, 151	DDA***SS	92	DFR****	595
D815100***	644	DC***L	150	DDA***SSFL	92	DFR****F	595
D825100***	644	DCL••	788	DDC*****105	91	DFVS••	312
DAA***AL	94	DC****LSE	148	DDC400AL	64	DG***	282
DAA***ALFL	94	DCM1	791	DDC400AL164TTMA	64, 91	DG****	282
DAB•	772	DCP•	149	DDC***AL	91	DG*****	282
DAB••	772	DCP••	144, 149, 151, 153, 164	DDC***BR	91	DGA***SS	98
DAC****	772	DCP***	149	DDC***SS	91	DGA***SS***	98
DAC***AL	93	DCP****	144, 145, 149, 151	DDC***SSFL	91	DGA***SSFL	98
DAC***ALBSP	93	DCP****B	144, 145	DDDC***	92	DGC***SS	98
DADC250	94	DCP••B	144	DDDC300105	92	DGDC***	92, 98
DADP250	93	DCP****L	145, 151	DDDP***	91	DGDP***	98
DATL***	156	DCP***L	149	DDDP300105	91	DGH7	337
DATL***W	156	DCP****S	145	DDSA***SS	109	DGH7C	337
DAWS••	772	DCP••S	144	DDSC***SS	109	DGH7CSS	337
DB•	114	DCP••SWIV	143	DDT1	791	DGH7CV	337
DB••	114	DCP•SWIV	143	DEFN075	771	DGH7P	337
DBA•••••	96	DC****S	146	D•••••F	653	DGH7PSS	337
DBAF•••••	96	DC••S	146	DF16-•••	633	DGH7SS	337
DBAF••••••	96	DC•S	146	DFC••	176	DGH7V	337
DBAV73-2030	96	DCS••	147	DFC•••	176	DGHW7	337
DBC•••••	95	DCS****	147	DFG•	168	DGLBV••	692
DBC•••••-GL	95	DCS4025F-•	569	DFH-9283-100	671	DGLBV***	692
DBCL-•••	95	DCS4030NYFD	569	DFH-9292-001	671	DHR•	789
DBGV••	691	DC****SE	148	DFN***	769	DHS•••••	796
DBGV***	691	DC••SE	148	DFN100•F	768	DHS90-•••	796
DBS•••••	95	DC•SE	148	DFN100F-NC	770	DHS159-1-•••	796
DBV-BL***	747	DCS****F	569	DFN100F-NPNF	770	DHS•BF	666
DBV-BN***	747	DCS****F-••	569	DFN100-NC	769	DHSSC6	666
DBV-VB***	747	DD	116	DFN100*-NC	768	DIN-SMS-60/90SP	474





## Part Number Index

	Page #		Page #		Page #		Page #
DIN-SMS90/155SP	474	DMP••F••T	583	DSK••	791	EL90•••B	732
DKC1	154	DMP••S••T	583	D•••SL	169	EL90•••FS	732
DL••	391, 405	DMR••••	583	DST••	312	EL90••FS	732
DL•••	391	DM••••RAF	638	DSTW	794	EL90•••G	732
DL••••	382	DM•••••RAF	638	DTW•••	654	EL90••G	732
DLB12	118	DM••••RAS	638	D•••U	170	EL90•••SS	732
DLS••••	382	DM•••••RAS	638	DW••••	792	EL90••SS	732
DM•	298	DM••••RAT	638	DWG050	323	EL•F•F	345, 732
DM••	298	DM•••••RAT	638	DWL100	794	EL••H•M	348
DM•••	298	DMR••••F	583	DX••••	657	EL•H•M	348
DM150SDB	322	DMR••F••S	583	DXHDR25HC	660	EL•H•MSS	348
DM815W50•••	645	DMR••F••T	583	DXHDR25PB	660	E••M••B	325
DMH••••	582, 742	DMR••S••T	583	DXHDRC25HC	660	ENBG1	165
DMH20DR20	695	DM•••••UC	638			ENBL	103
DMH25F25NYFD	584	DM••••UC	638	E73••A	258	ENBL-P	103, 107
DMH25NYFD20T	584	DMXL••	298	E73••M	258	ENBL-P•	107
DMH••••D	583	DN••	176	E73•••MB	258	ENBL-PLUG	103
DMH••••F	582	DN•••	176	E74••A	259	ER••••	654
DMH••••F-D	583	DN7••OBF	770	E74••A-MB	259	ER•••••	654
DMH••F••F	582	DN7U••BF-NC	770	E74••M	259	ERJ	103
DMH••F••F-D	583	DN7U••BF-NPNF	770	E74••M-MB	259	ERJ-C	103
DMH••F••S	582	DNOG6	771	EA•F•	404	ERS	103
DMH••F••S-D	583	DNOG6RB	771	EC•••	750	ERS-C	103, 107
DMH••••NYC	584	DP2-01•••	236	EF111••	665	ERS-C•	107
DMH••••NYFD	584	DPW	694	EF161••F	665	ERS-CAP	103
DMH••NYFD••NYFD	584	D•••R	169	E••F••B	325	E•S•	325
DMH••S••S	582	DRC••	176	EFN•••	624	E•S•B	325
DMH••••T	742	DRC•••	176	EFN1••NST	624	ETP	790
DMH••T••S	582	DRK15	791	E••F••S	325		
DMH••T••T	582	DRP-85-059	233	EK602•	273	F•	385, 388
DMIL250F	548	D•••S	169	EK602VB	273	F••	385, 388
DMIL2530F	548	DSB••	312	EL••••••	308	F•••	438
DMOCA••225F	567	DSBV••	683	EL•••••••	308, 311	F•••	385, 388
DMOCA•0225F••	567	DSBV•••	683	EL45••	734	F••••	438
DMP••••	583	D••SC	695	EL45•••	734	F03-0•A	209
DMP••••F	583	DSCV••	714	EL90••	732	F03-0•AMB	209
DMP••F••S	583	DSCV•••	714	EL90•••	732	F03-0•M	209



Part Number Index

	Page #		Page #		Page #		Page #
F03-0•MMB	209	F72G•M-MB	246	FC•••	611	FHPR150••CBF	656
F07-200•C	244	F73G•A	246	FC••••	306, 307	FHPR2515	656
F07•••A	245	F73G•A-MB	246	FC•••••	307, 310	FHR	674
F07•••M	245	F73G•M	246	FCB48	672	FHR-C	659
F08-0•M	209	F73G•M-MB	246	FC••F	611	FHR-C1	659
F08-0•MMB	209	F74C•A-MB	248	FC••F•	611	FHR-V•	659
F08-02A	209	F74G•A	247	FC••F-D	614	FJB••••	798
F08-02AMB	209	F74G•A-MB	247	FCM••••	306	FJB-20Z-20	798
F16••A	213	F74G•M	247	FCSB•••	301	FJC•••••	798
F16••AMB	213	F74G•M-MB	247	FCSM•••	301	FJC-20Z-20	798
F16••M	213	F74H•A-MB	248	FC•••••ST•••	310	FJC45•••••	799
F16••MMB	213	F74V•A-MB	248	FC••••ST••	307	FJC45-20Z-20	799
F17•••A	247	F602••BJ	268	FD47-C2	658	FJC90•••••	799
F17•••M	247	F602••BJR	268	FD47IR-150-100	658	FJC90-20Z-20	799
F18••A	213	F602••WJ	268, 269	FFB•••	431	FJC-T••	800
F18••AMB	213	F602••WJR	268, 269	FFBSO150	627	FJR-T••	800
F18-C00•	247	FA••	749	FFBSO150NST	627	FJS•••••	798
F18••M	213	FAB•••	300	FFBSO150	627	FJS-20Z-20	798
F18••MMB	213	FAB•••N	301	FFBSO150NST	627	FJS45•••••	799
F23-04M	231	FAK25P	794	FFC•••	431	FJS45-20Z-20	799
F26••A	213	FAPRAV250F	543	FFH15NYFD15NYFD	599	FJS90•••••	799
F26••AMB	213	FAPRAVF250	543	FFH••••F	599	FJS90-20Z-20	799
F26••M	213	FAPRAVG250•	543	FFH••F•F	599	FL••••	438
F26••MMB	213	FAPRV•250	543	FFH••••NYFD	599	FL•••••	438
F28••A	214	FBB•••	300	FFH••T•S	599	FLBV•••CS	689
F28••AMB	214	FBSO100•	625	FFN•••	623	FLC0318••	428
F28••M	214	FBSO100•-PG	625	FFN75GHT	623	FLC0319••	428
F28••MMB	214	FBSO150•	625	FFN•••NST	623	FLC2402•••••	426
F30••A	214	FBSO150•-PG	625	FFS•••	431	FLC2403••	427
F30••AMB	214	FBV••	681	F•G•••••	451	FLC2404••	426
F30••M	214	FBV•••	681	FGH••	332	FLC2404•••••	426
F30••MMB	214	FBVG••	682	FHCS150	633	FLC2405••	427
F35-0•AMB	214	FBVG•••	682	FHHR••	661	FLC2405•••••	427
F35-0•MMB	214	FBVL••	681	FHHR-C	661	FLC2500••	428
F72G•A	246	FBVL•••	681	FHHR-C•	661	FLC2501••	427
F72G•A-MB	246	FBV•••SE	682	FHPR150	656	FLC2501•••••	427
F72G•M	246	FBV••SE	682	FHPR150-100CBF	656	FLC2603••	428



Part Number Index

	Page #		Page #		Page #		Page #
FLG***E	749	FMR***	723	FOS•	385	FRX-C	101
FM***	723	FMR****	723	FOS••	385	FRXCAP	101
FM****	591, 723	FMR*****	308	FOS***	385	FS•	385
FM25NYC25F	593	FMR*****	308	FP***	613	FS••	385
FM25NYC25T	593	FMR*****	308	FP****	309	FS***	385
FMB***	723	FM•S•	591	FP*****	309, 311	FS304C•	410
FMB****	723	FMS***	723	FP475S	622	FS304C••	410
FMBTFLY•F•F	564	FMS****	723	FP500•	622	FS2403•	409
FMBV•F•F	562	FM•S•F	591, 592	FP***F	613	FS2403••	409
FMBV•S•S	562	FM•S•F-D	594	FP***F•	613	FS2404•••	409
FM***F	591, 592	FM•S•T	591, 592	FP***F-D	613	FS2404••••	409
FMF***	722	FM•S•T-D	594	FR3C****	574	FS2408•	410
FMF****	722	FM***T	591, 592	FR3C6025F	574	FS2408••	410
FMF***-45	722	FN600	100	FRA	100	FS2501•••	410
FMF****-45	722	FN600B	100	FRA-C	100	FS2501••••	410
FMF***-90	722	FN600BL	100	FRA-NI-C	100	FS2603•	410
FMF****-90	722	FN600BL-NI	100	FRC4025	572	FS2603••	410
FM***F-D	594	FN600B-PLUG	100	FRC4025F	572	FS6400•••	409
FM•F•F	591, 592	FN600S	102	FRC6025	572	FS6400••••	409
FM•F•F-D	594	FNB75GHT	335, 629	FRC6025F	572	FS6500•••	409
FM•F•NYC	593	FNB75GHT-GD	335, 630	FRC6025NYFD	572	FS6500••••	409
FM•F•NYFD	593	FNB75S	629	FR-CAP	100	FS6602•	410
FM•F•S	591, 592	FNBE150NST	629	FRP-95•••	155, 233, 234, 241,	FS6602••	410
FM•F•S-D	594	FNBE150S	629		242	FS6801•••	409
FM•F•T	591, 592	FNB***NST	629	FRP-96•••	233, 241	FS6801••••	409
FM•F•T-D	594	FNB***S	629	FRRE-T•	801	FSA****F	605
FMGR•F•F	560	FNG***NST	629	FR-RS	100	FSA****S	605
FMGV30•F•F	559	FNG***S	629	FR-RS-C	100	FSA****T	605
FMGV•F•F	558	FN***NST	629	FR-RS-R	100	FSB	102
FMI*****	308	FNPSO150•••	662	FRR-T•	801	FSBV2525F	561
FMI*****	308	FN***S	629	FRS	100	FSBV***F	561
FMI*****	308	FNS	102	FRS-C	100	FSBVR3•••F	563
FM***NYC	593	FNS2	102	FRSGX•	795	FSCV•	713
FM***NYFD	593	FNSID	102	FRSGX110	795	FSCV***	713
FM•NYFD•F	593	FO•	385	FRT***	735	FSGLBV•	692
FM•NYFD•NYFD	593	FO••	385	FRV250	559	FSGLBV***	692
FM•NYFD•T	593	FO***	385	FRX	101	FSGR***F	560



Part Number Index

	Page #		Page #		Page #		Page #
FSG•RK	677	FT•SS	734	G••B-••••	81	G••DP-••	83
FSGV••	691	FVFA••	312	GB•	111	G•••DP-••	83, 95
FSGV•••	691	FVL••	312	GB••	111	G••E-••	82
FSGV•••F	557	FVS••	312	GB6-1	111	G•••E-••	82
FSGVR30-•••F	558	FVSP••	312	GBA••	118	G••••E-••	84
FSGVR-RK	677	FW••	439	G•••B-ALNST	85, 604	G••••E	751
FSHV•••F	559	FWV••F••F	562, 663	GBB••	118	G•••E	751
FSHV-RK	677	FWV••F••S	663	G•••BL	747	G••••E-••CR	13
FSSV3-•••F	565	FWV••S••S	562, 663	GBR••	275	G•••F-••	82
FSSV4-•••F	566	FX1500	101	GBR•••	275	G••••F-••	82
FSSV•••F	565	FX1500P	101	GBR••••	275	GF•	111
FST••	287	FX1500PLUG	101	GBRW••	281	GF••	111
FST•••	287	FX1500S	101	GBRW•••	281	GF•••	111
FST40CS	68	FX1500SP	101	GBRW••••	281	GF26-1	111
FST••CS	20, 287, 291			GBRW30R	281	G•••F-ALNST	85, 604
FST•••F	668	G•••••00	715	G•••C-••	81	GFAS•	112
FSTP-LD-••F	670	G5•••	444	G•••C-••	81	GFAS••	112
FSTP-LS-••F	670	G9	69	G•••C-••••	81	GFN150	623
FSTP-SD-••F	670	G10	69	G••••C-••	84	GFN150NST	623
FSTP-SS-••F	670	G75HRPSS	83	GC•	111	GF•••P•	112
FST•••S	668	G400-AL-AL	84	GC••	276, 281	GF••P•	112
FSW•	633, 663	G400-DL-AL	84	G•••C-••CR	13	GFR••	102
FT••	734	G3050	784	G•••D-••	82	GFR•••	102
FT•••	734	G•••A-••	81	G••••D-••	82	GFR1-•	102
FT6••	784	G••••A-••	81	G••••D-••••	82	GFR1-••	102
FT6••••	784	G•••••A-••	84	G•••••DA-••	84	GH••••	115
FT600	784	G••••AA-••	84	G••••D-ALNST	85, 604	GHC7	341
FT600•	784	G•••••AA-••	84	GDB•	111	GHGN	336
FT600SC	784	G••••A-ALNST	85, 604	GDB••	111	GHN75	624
FT620S	784	GAM•	123	G•••DC-••	83	GHN75-B	624
FT••B	734	GAM••	123	G••••DC-••	83, 96	G•••HRP	83
FT•••FS	734	GAS••••NO	71, 289, 724	G••••DC-••••	83	G••HRP	83
FT••FS	734	GAS••••NOS	73, 289, 439	G••••DD-••	84	G•••HRPSI	83
FT•••G	734	GAS••••TO	439	GDF•	118	G•••HRPSI	83
FT••G	734	GAW	632	GDF••	118	G•••••HRPSS	83
FTH100	795	G•••B-••	81	GDL•	118	G•••HRPSS	83
FT•••SS	734	G••••B-••	81	GDL••	118	GHV	336



Part Number Index

	Page #		Page #		Page #		Page #
GHY	336	GPA-96-***	234, 235, 237-240,	H***	746	HA****-D	594
GHYV	336		242	H5***	444	HAD***EZ	34
GIBFV***	750	GPA-97-***	234, 237, 239, 242	H5***-A	444	HA****F	586
GJ**	118	GROOVLUB32	751	H5***-A-BU	444	HA****F-D	594
GL***	140, 276, 281	GRP-95-***	233, 234, 237, 239,	H5***-BU	444	HA**NYC**T	587
GLBR**	279		242	H5***NST	444	HA**NYFD76	587
GLBR***	279	GRP-96-***	233, 234, 236, 237,	H5**R50UC	647	HA**NYFD**F	587
GLBR****	279		239, 241, 242	H5**R100UC	647	HA**NYFD**S	587
GLBR**-4	279	GS**-4	276	H6**	447	HA**NYFD**T	587
GLBR***-4	279	GS***-4	276	H52**-A	445	HA**S**	586
GLBR****-4	279	GS****-4	276	H52**-A-BU	445	HA**S**F	586
GLBR100004	279	GSAFETYCLIP	83	H52**L-A	445	HA**S**S	586
GLBRC**	279	GSS**	278	H52**L-A-BU	445	HA**S**T	586
GLBRC***	279	GSS***	278	H57**	446	HA****T	586
GLBRC****	279	GSS****	278	H420R50RBS	647	HA****T-D	594
GL**FG	277	GSS*****	278	H420R50UC	647	HA**T**F	586
GLP***	280	GSS**-4	278	H507**-BU	446	HA**T**S	586
GLS***	280	GSS***-4	278	H515R50***	647	HB***	297, 739
GLSC***	280	GSS****-4	278	H515R100***	647	HB****	140, 730
GLSS**	278	GSS*****-4	278	H525R50***	647	HB****B	730
GLSS***	278	GSTC*	287	H525R100***	647	HBC**S	387
GLSS****	278	GSTC**	287	H610Y50***	648	HBC*S	387
GLSS*****	278	G****T	751	H615Y50***	648	HB*F*M	140, 343, 730
GLSSC***	279	G***T	747, 751	H615Y100***	648	HB****FS	730
GM*	111	G****V	751	H625Y50***	648	HB****G	140, 730
GM**	111, 140	G***V	751	H625Y100***	648	HB****SS	730
GMAS*	112	G***VB	747	HA****	335, 586	H**BU	746
GMAS**	112	GV-HDWHL	558, 677	HA023*	450	H**BU	746
G***N	747, 751	GV-KNOB	558, 677	HA024*	450	HC15*-A	652
GNB75GHT	335, 630	GWDGV250F	550	HA25NYC15F	587	HC15*-B	652
GNW*	725	GWH-****	362	HA25NYC76	587	HC90	370
GNW**	725	GWH1*00R	362	HA25NYFD15NYFD	587	HC90RB	370
GNWP*	725	GWH-C	362	HA0900-*	718	HC30143	672
GNWP**	725	GWHC-FF	362	HA2515F	672	HD1-*	406
GNWP***	725	GWHZ**	362	HA****ADP	70, 85, 604	HDBF75	694
GPA-95-***	234-242			HAB***EZ	34	HD***F	552
GPA-95-292	790	H**	746	HAC***EZ	34	HDPE***	745



Part Number Index

	Page #		Page #		Page #		Page #
HDPE•••BU	745	HOSECUTTER	652	HSTBC•••	394	HUM206400FLG-ST	26
HDSSF75	694	HOSEMEND1	652	HST••P	433	HUM•••••CS	21, 22
HFN•••	617	HOSEMEND15	652	HST••T	433	HUMF•••••CS	21, 22
HFN150NYFD	617	HP•	383	HT4OF•	401	HU•••••N	21, 22, 24
HFN•••NST	617	HPBV••	430, 688	HTBC•••	394	HUP207400	27
HFN•P•	107	HPBV•••	430, 688	HTBG	164	HU•••••RN	24
HFR•C•	107	HPBV••-3WAY	430, 688	HTBG•	164	HUS500RN	24
HGB100S	629	HPBV•••SAE	430, 688	HTBG••	164	HVF•••••-25	578
HGB•••NST	629	HPBV••SAE	430, 688	HTBG-CT	164	HVG0•••-25	578
HGCFB150S	628	HPBV••SS	430, 688	HTBG••EXT	164	HWH50	333
HGCFB•••NST	628	HPFN150	617	HTBG•EXT	164	HWH50-75	333
HGG100NST	629	HPFN150NST	617	HT•DC	401	HY•	406
HGG100S	629	HPSG	326	HT•F•	401	HY••	406
HGV250	553	HPSGC	326	HTM•••	383	H••Y50SZ	648
HGV250F	553	HPSGHD	326	HTSW	631	H••Y50UC	648
HGV250F-D	553	HPSGW	326	HTW••P	433	H••Y100SZ	648
HGV250-H	553	HR	104	HTW••T	433		
HGV-HDWHL	556, 677	HR1610	172, 661	HU100•••	25, 716	IA•••TP	790
HGV-KNOB	556, 677	HR1610•	172, 661	HU100•••BW	25, 716	IB•••	37
HGVW250F	552	HR-C	104	HU200•••	25, 716	IBFVW•••	711
HGVW250NYFD	552	HRC•••	406	HU200•••BW	25, 716	IBFVW•••E	711
HGVW250-W	552	HR-CAP	104	HU206•••	25, 716	IBR••••	369
HH30145	672	HS•	380	HU400•••	717	IBV••	688
HHA••••	587	HS••	380	HU602•••	717	IBV•••	688
HHCI	358	HS•••	380	HU602•••BW	717	IBV50BOV	790
HHD••P	433	HS•••AL	767	HU1002•••	717	IC•••	39
HHD••T	433	HSR••	660	HU1002•••BW	717	ICL••••	369
HHP•M	342, 738	HSR••••	660	HU1502•••	717	ID•••	41
HHTP	674, 789	HSRC••	660	HU1502•••BW	717	ID•••TC	790
HN	104	HSRC••••	660	HUC207400	27	IH•••	45
HNBGH••	338	HSRC26	659	HUF206400FLG	26	IH6	75
HNBGHF••	338	HSS•	380	HUF206400FLG-45	26	IHC250NYFD	614
HN•M•M	343, 737	HSS••	380	HUF206400FLG-ST	26	IHC•••F	614
HN-P	104	HSS•••	380	HUFALL•••CS	21, 22	IHSC34	75
HN-PLUG	104	HS•••SS	767	HUF•••••CS	21, 22	IHSC152	75
HN•••SS	742	HST••	285	HUM206400FLG	26	IRC4025	572
HN••SS	742	HSTBC•••	394	HUM206400FLG-45	26	IRC4025F	572



Part Number Index

	Page #		Page #		Page #		Page #
IRC4025GF	572	KRH...	332	L18...A	225	L...-DC-SS	29
ISCS4025F	568	KRN...	296	L18...AMB	225	L...-DP-SS	29
ITD...	799	KRN....	296	L26...A	225	L...-E-SS	28
ITDH	799	KRW.	302	L26...AMB	225	LFV..	682
IXAN..	449	KRW..	302	L28...A	226	LFV...	682
IXF....	443	KRW....	302	L28...AMB	226	LHC95	370
IXFDPLG...	448	KS.	386	L30...A	226	LHC95RB	370
IXFS..	449	KS..	386	L30...AMB	226	LHFS400F	603
IXFS32-3A	449	KS...	386	L40...A	227	LHFS4045F	603
IXH..	442	KS.....	386	L40...AMB	227	L...-HSCRIP-SI	29
IXM..	442	KS.....	386	L72M.	253	LHW	69, 633
IXMS..	449	KSS..	139	L72M.-MB	253	LJ...	726
IXPE32-3A	448	KSV10....	158	L73M.	253	LJ....	726
IXSE..	449	KSW..	139	L73M.-MB	253	LJR...	726
IXSE..-3A	448	KVW..	302, 762	L73M.-MBPX	255	LLBV2515F	555
IXV..	442			L74C..	256	LM...*	441
		L..	744	L74C.-MB	256	LM..... *	441
J..	391, 405	L...	744, 748	L74M.	254	LOCKINGDEVICE	610
J...	77	L....	748	L74M.-MB	254	LOCKINGDEVICE6	610
J47	118	L03-0.A	211	L74M.-MBPX	255	LP..	74, 115, 390
J844-...-100	208	L03-0.AMB	211	L606...B	271	LP....	74, 115, 390
J844-...-BL-100	208	L07-200AC	244	L606...W	271	LPB..	115
JS...	387	L07...A	245	L1110-L2287	755	LR....	309
JX..	391	L08-02A	211	L...-A-SS	28, 29	LR.....	309
		L14AM7-G..	455	LAVA221	791	LR7	77, 126
K.	386	L14AM7-G...	455	LB...	137	LRHEZ...	29
K..	386	L14AM7-G....	455	L...BU	744	LRHEZ34	29
K...	386	L14AM7-R..	455	L..BU	744	LRP-95....	239
KB..	111, 114	L14AM7-R...	455	LCJS....	788	LRP-96....	239
KHN...	296	L14AM7-R....	455	LCJS12-15	788	LS..	384
KLW.	302, 303	L14AM7V-R...	487	LCLD	788	LS...	384
KLW..	302, 303	L14AM7X-R...	488	L...-C-SS	28	LSS..	384
KM..	298	L16...A	224	LCTS.	788	LSS...	384
KM...	298	L16...AMB	224	LCTS14	788	LV*N6D	232
KNW.	302	L17-800APX	255	LDC2	159	LV*NAD	232
KNW..	302, 762	L17...A	254	LDCF2	159	LW..200	796
KRH..	332	L17...D	257	LDCM2	159		



Part Number Index

	Page #		Page #		Page #		Page #
M•	115	MC••••ST••	310	MIRU7550	730	MSA••••T	608
M••	115	MC••••ST••	307	MIU••	731	MSBC•••SS	88
M••••	311	MD••••T	653	MIU•••	731	MSBC•••SSFL	88
M16-03A	790	ME•••	119, 120	M••••KAF	637	MSBC•••SSMNPT	88
M16-03M	790	ME•••••	121	M••••KAS	637	MSBV2525F	561
M16-••A	215	ME••••••	119	ML•00M	155	MSBV•••F	561
M16-••M	215	ME•••••••	120	MLS••	304	MSBVR3-•••F	563
M18-••A	215	ME109-NH3-1	121	MOC250NYC-P	580	MSBVR(3)-RK	677
M18-••M	215	ME502-12/8	119	MOC250NYFD-P	580	MSBV-RK	677
M26-••A	215	ME3162-32B	120	MOC3025F-•	580	MSMG•••F	563
M26-••M	215	ME3162-32S	120	MOCA250F	567	MSMG-RK	677
M28-••A	216	ME•••F-•	121	MOCA250F-•	567	MSP•••	329
M28-••M	216	ME•••FS-•	121	MOC•••F-•	580	MSP4PAK	329
M30-••A	216	MEP120B	120	MP••••	309	MSP-95-•••	233
M32-0AAMB	217	ME•••S	119, 120	MP•••••	309, 311	MSSV3-•••F	565
M35-0•AMB	217	ME•••S-•	121	MPB-•••••	798	MSSV4-•••F	566
M•200	155	ME•••S-••	119	MPB-20Z-20	798	MSSV•••F	565
M5834F	337	MEW•	120	MPC-•••••	798	MS•••••T	653
M5834HM	337	MFB••	431	MPC-20Z-20	798	MS••X•	115
M5834M	337	MFC••	431, 432	MPC-T••	800	MS••X••	115
M7400-•-••	424	MFC•••••	431	MPR-T••	800	MS•X•	115
M7400-•••••	424	MFPG150	624	MPS-•••••	798	MS•X••	115
M7455-•-••	424	MFPG150NST	624	MPS-20Z-20	798	MT•••	284
M7455-•••••	424	MFS••	431, 432	M••••RAF	636	MT••••	747
MA•••	300	MFS•••••	431	M•••••RAF	636	MT•••••	747
MAH•	380	M••••GAX	637	M••••RAS	636	MT••••••	747
MAH••	380	MGC•	381	M•••••RAS	636	MTP-95-•••	233
MA•••N	301	MGC••	381	M•••••RAT	636	M•••••UC	635
MB•••	300, 432	MGC•••	381	M•••••RAT	636	M•••••UC	635
MBV••	692	MH•	380	MRCH••	743		
MC•••	432	MH••	380	MRCH•••	743	N••	725
MC••••	306, 307	MIC••	736	MRV250	559	N•••	725
MC•••••	306, 307, 310	MIC•••	736	MS•	115, 406	N35-••F••F	596
MCH50	333	MICAP••	736	MS••	115	N35-••S••F	596
MCM••••	306	MICAP•••	736	MS•••	432	N35-••S••S	596
MCM••••XL	308	MICAP•••G	736	MSA••••F	608	N36-••F••F	585
MCS•••	301	MICAP•••G	736	MSA••••S	608	N36-••F••T	585





## Part Number Index

	Page #		Page #		Page #		Page #
N36-•S•F	585	NAPRVGT•••••	542	NZMMEG5P-•••	329	PFL•	133
N36-•S•S	585	N••CS	20, 291, 725	NZMQC5P-•••	329	PFL••	133
N36-•S•T	585	NCS-CSF-STZ•••	608	NZ••••S	329	PFL••FS	134
N36-•T•F	585	NCS-CSF-STZ•••C	608			PFL•FS	134
N36-•T•T	585	NCS-FDFS-•F	669	O246BU	65, 758	PFL••SS	133
N37-•F•F	589	NCS-FDFS-•S	669	O249BU	65, 758	PFN4005•	630
N37-•F•G	589	NCS-FDSTZ-••	669	OA••	363	PFNB150NST	629
N37-•F•S	589	NCS-LL-•F	667	O••BU	22, 26, 27	PFNB••S	629
N37-•F•T	589	NCS-LLSJ-•FF	667	OCT32	723	PF••SS	133
N37-•G•F	589	NCS-LLSJ-•FS	667	OCTOE32	723	PG700	165
N37-•G•S	589	NCS-LLSJ-•SZF	667	OCTOES32	723	PG8083	673
N37-•G•T	589	NCS-LLSJ-•SZS	667	OCTS••	723	PGA150NPSH	626
N37-•S•F	589	NCS-LL-•SZ	667	O-RING-AS-334	755	PGA••NST	626
N37-•S•G	589	NF307Y50GHT	664			PGH50	333
N37-•S•S	589	NF307Y50GHT-KIT	664	P••	351	PGH100	333
N37-•S•T	589	NF610Y50•••	664	P1A-•••A	245, 258	PGS••	275
N37-•T•F	589	NF610Y100•••	664	P1A-•••M	245, 258	PGS•••	275
N53-•F•F	598	NF615-50RAQT	664	P3-TFG-•	752	PGS••••	275
N53-•F•T	598	NF615Y50•••	664	P3-TFG-••	752	PHFA6	663, 672
N53-•S•S	598	NF615Y100•••	664	P8A-860•	259	PHFA-B-A	663
N53-•S•T	598	NF615100RAQT	664	PAP250	616	PHL•	133
N54-•-25F25F	675	NFSGX••	795	PBC250	616	PHL••	133
N54-•F•F	601	NFSGX110	795	PBLSS••	277	PHLB••	133
N54-•F•T	601	N-FTVLST-20•	663, 671	PBLSS•••	277	PHL••FS	134
N54L-•F•F	601	NG••	727	PBLSS••••	277	PHL•FS	134
N54L-•F•T	601	NIPPLE/1	754	PEDF75	694	PHL••SS	133
N54-•S•S	601	N••NO	289, 724	PEDF200	694	PHL••WF	134
N54-•S•T	601	NORG74DISPLAY	243	PF•	133	PHL•WF	134
N56-•F•F	588	NPT••TC	790	PF••	133	PHW	632
N57-•F•F	596	NST••TC	611	PFB•	133	PIN5/16X1¼-P	755
NAPRAV•••F-••	540	NV4M	159	PFB••	133	PIN5/16x11/4P	754
NAPRAVF•••••	540	NV•F	159	PFC250F	615	PL•••	136
NAPRAVGFT•••••	542	NW•	725	PFC250U	615	PL400LWF	137
NAPRAVGT•••••	542	NW••	725	PFCW•••	615	PL400WF	137
NAPRVF•••••	541	NW•••	725	PFCW250•••	615	PL•••L	136
NAPRVFT•••••	542	NZ•••	329	PFCW•••F	615	PLUG•••F-C	614
NAPRVG•••••	541	NZ6540QCS	329	PFCW•••F-Y	615	PLUG•••S-C	614



Part Number Index

	Page #		Page #		Page #		Page #
PM•	133	PPF••	86	PTH•••AG	245	QM•WF	132
PM••	133	PPF•••	86	PTLS7540	715	QSS•	130
PMB•	133	PPH••	87	PTLS10040	715	QSS••	130, 131
PMB••	133	PPH•••	87	PTP	790	QSS•••	131
PML•	133	PPLSS••	375	PTTF150•	630	QTF75GHT-F	665
PML••	133	PPM•	375	PU••••	166	QTF••••-F	665
PML••FS	134	PPN••	297, 371	PV•••	689	QTM75GHT-F	665
PML•FS	134	PPN•••	371	PVFP••	689	QTM••••-F	665
PML••SS	133	PPP••	86	PVFP•••	689	QTX150-F	665
PM••SS	133	PPP•••	86	PVFPN••	690		
PN•••	723	PPSO150•	662	PVFPS200	690	R••	351, 746
PN••••	723	PP•VEU•-MG	317	PVFPSA200	690	R•••	746
PN15	630	PP•VFC•-MG	317	PV-HDWHL	560, 677	R1AAAS-A	444, 445
PN15CF	630	PP•VFE•-MG	316	PV-KNOB	560, 677	R1AAS-A	444, 445
PN15F	630	PP•VMC•-MG	317	PVN200	690	R1•S-A	444, 445
PN15NYFD	630	PP•VME•-MG	316	PW6••B50•••	645	R2•AL-A	445
PNB75GHT	334	PP•VTEU•-MG	317	PW6••B100•••	645	R2•SS-A	445
PNS•••	723	PP•VUC•-MG	317	PW••F••F	552	R03-0•R	209
PNS••••	723	PRC	656	PWH••	332	R03-0•RG	209
POLYHA••••	594	PRC-SPANISH	656	PWH•••	332	R3AAAL-A	445
POLYHA15S15F	594	PRN•••F	656	PW••S••S	552	R3AAAS	444
POLYHA2515F	594	PRN•••F-C	656	PYLS••••	715	R3AASS-A	445
POLYHA2520T	594	PRWB	656	PYLS•••••	715	R3•AL-A	445
PP250F	616	PS•••	273			R3•S	444
PPA••	86	PS403	233	QB•	130	R3•SS-A	445
PPA•••	86, 373	PS417B	234, 237	QB••	130, 131	R4•SS-A	445
PPB••	87	PS743	274	QB•••	131	R07-200RGC	244
PPB•••	87	PSM••••	166	QBCAP	132	R07-•••R	245
PPC••	87	PSN76	335	QBM•	131	R07-•••RG	245
PPC•••	87	PSNP250•••	581	QB••WF	132	R08-02RG	210
PPCF••	372	PSNP250S	581	QB•WF	132	R11-••C	270
PPCM••	372	PSNP2503.125x5	581	QM•	130	R11-••CG	270
PPD••	87	PSNP2503.••x•	581	QM••	130, 131	R11-•••RG	250
PPD•••	87	PSNP•••NYFD	581	QM•••	131	R15AAAS-A	444, 445
PPDV75	554	PSW	631	QM0	132	R15AAS-A	444, 445
PPE••	86	PSW•	631	QMCAP	132	R15•S	444
PPE•••	86	PT•••	284	QM••WF	132	R15•S-A	444, 445



Part Number Index

	Page #		Page #		Page #		Page #
R16-•R	219	R73G•RG	249	RA•F•M	343, 737	RD253	653
R16-•RG	219	R74G•R	249	RAGG••••	749	RD253F	653
R16-•RH	221	R74G•RG	249	RAGG•••••	749	RD15193F	653
R16-•RHG	221	R75••	444	RAM•	122	RDA90•••EZ	52
R17-••R	249	R75AAAS	444	RAM••	122	RDA2030EZ	48
R17-••RG	249	R75AAS	444	RAM6WF	125	RDA••••BL	48
R18-C05R	249	R83-200R	250	RAM7T	125	RD•••BL	41
R18-C05RG	249	R91-221RG	251	R•AS	444	RDD••••EZ	49
R18-•R	219	R119-•C	270	RAS•••	341	RDD•••EZ	49
R18-•RG	219	R119-•CG	270	RB•	113, 116	RD•••EZ	41
R21-•R	218	R125AAS-A	444, 445	RB••	113, 116	RD•••EZHD	41
R21-•RG	218	R125ES-A	444	RB3-0•R	210	RDL•••EZ	55
R25•AL-A	445	R125•S-A	444, 445	RB3-0•RG	210	RDM•	298
R25•S	444	R200SS	76	RB•••BL	37	RDM••	298
R25•SS-A	445	R364-•C	270	RB•••EZ	37	RDWBPST•••EZ	61
R26-•R	219	R364-•CG	270	R•••BU	746	RDWSP•••EZ	61
R26-•RG	219	R504-••••	341	R••BU	746	RE•••••••	71
R26-•RH	221	R515-50•••	646	RBU•	116	RE•••BT	60, 460
R26-•RHG	221	R515-50CBF	646	RBU••	116	REL••••	733
R28-•R	220	R515-50CBF/F	646	RC•••BL	39	R-EN	105
R28-•RG	220	R515-50•••/F	646	RC•••BLNO	39, 72	RE•••NO	72
R30-•R	220	R515U50•••	646	RC•••BT	60, 460	R-EN-P	105
R30-•RG	220	R515U50CBF	646	RC•••CEZ	74	R-EN-PLUG	105
R30-•RH	222	R515U50CBF/F	646	RC•••EZ	39	REP250PT	575
R30-•RHG	222	R515U50•••/F	646	RC•••EZ-••	71	REP400AS/SP	575
R40-0•R	220	R515U100CBF	646	RC•••EZCR	12, 39	REP•••AS	575
R40-0•RG	220	R515U100CBF/F	646	RC•••EZNO	39, 72	REP•••AS-•	575
R40-•RH	222	R515U100•••/F	646	RC•••EZPF	70	RE•••PF	70
R40-•RHG	222	R515U•••RAF	646	RC•F•F	343, 731, 738	REP•••HY	575
R43-••RG	251	R1375•S	444	R-CN	105	REP•••SP	575
R46-•••R	155, 250	R515100•••	646	R-CN-P	105	REP•••SP-•	575
R46-•••RG	155, 250	R515100CBF	646	R-CN-PLUG	105	R-ER	105
R72G•R	249	R515100CBF/F	646	R-CR	105	R-ER-C	105
R72G•RG	249	R515100•••/F	646	R-CR-C	105	R-ER-CAP	105
R72M•R	250	RA••	341	R-CR-CAP	105	RES••	305
R72M•RG	250	RA•••	341	RC•••SE	460	RES•••	305
R73G•R	249	R•AAS	444	RD15•••	653	RE•••SE	460



Part Number Index

	Page #		Page #		Page #		Page #
RFC...	611	RHEZ152	76	R•P•...	440	RSTB•CS	19, 290
RFC250F-SS	614	RHEZ175	76	RPA-95•••	236, 237	RST•CS	19, 290
RFC••F	611	R-HN	106	RPA-96•••	236, 242	RST••NOS	289, 439
RFC••F••	611	R-HN-P	106	R•P•LJR15	440	RST•PF	297
RFP••F	613	R-HN-PLUG	106	RPN•	355	RSTV•	286
RFP••F-C	613	RHN•••SS	742	R•P•SOR15	440	RSTV•CS	19, 290
RFST•	287	R-HR	106	R•P•SS	440	RTCA•	62
RFST••	287	R-HR-C	106	RRH15168	653	RTCT•	63
RFST•CS	20, 287, 291	R-HR-CAP	106	RRH15168F	653	R-TN	106
RG•••	309	RHS•	312	RRHS•	312	R-TN-P	106
RG••••	309, 311	RHS••	312	RRP-95•••	236, 237, 242	R-TN-PLUG	106
RGB•	113	RHSC34	75	RRP-96•••	236, 237, 242	R-TR	106
RGB••	113	RHSC152	75	RS15•••	653	R-TR-C	106
RGF•	113	RHSC175	75	RS15••F	653	R-TR-CAP	106
RGF•P•	112	RIC150F	567	RSDM•	303	RTW150	654
RHA••••	588	RJT•••SP	475	RSE••••F	675	RV250	559
RHA•••F	588	RK••	167	RSE••••F-C	675	RWDGV250F	551
RHA•••F-C	588	RK••••	274	RSF••F	597	RWDGV3025F	551
RHA•S•	588	RKB605WB	274	RSF•F•T	597	RWF•	113
RHA•S•F	588	RKHN•	305	RSFSA••F	599	S•	300
RHA•S•T	588	RKR••Y	274	RSFSA•F•T	599	S••	300, 301
RHA•••T	588	RLC••EZ	29	RSHR•	303	S••••	653
RHA•T•F	588	RLD200EZ	29	RSK•	303	S6175	555
RH••BL	45	RLH••EZ	29	RSM•F	600	S6175S	555
RHC•	732	RLP•	74, 115, 390	RSM•F•T	600	S7100	555
RHC••	732	RL•V	745	RSM•S	600	S7100-15	555
RHC••B	732	RM•	298	RSMSA25F•T-Z	599	S7100-15S	555
RHC••B	732	RMA••	341	RSMSA250F-Z	599	S7337S	555
RHC••FS	732	RMS•	115	RSMSA••F	599	SA15Y57	274
RHC•FS	732	RMS••	115	RSMSA•F•T	599	SA161X57	274
RHC••G	732	RN•	305, 725	RSS•	312	SA200•W57	273, 274
RHC•G	732	RN••	305, 725	RST•	285, 305	SA4050AL	759
RHC••SS	732	RNB150NST	628	RST••	285, 305	SAEB-••••	798
RHC•SS	732	RNB150S	628	RST•••	287	SAEC-••••	798
RH••EZ	45	RN•CS	20, 291, 725	RST•A	286	SAHW	631
RHEZ6	76	RN••NO	289, 724	RSTB•	286	SAP•	286
RHEZ34	76	R•P•	440	RSTB••	286		



Part Number Index

	Page #		Page #		Page #		Page #
SAP••	286	SCVS•	140, 142	SFMF•••-45	722	SJBV-RK	677
SAR10Y57	274	SCVS••	142	SFMF••••-45	722	SJSS•••BB-20	520
SB••	300	SCVV400	549	SFMF•••-90	722	SJSS•••CC-	521
SB•••	300	SD••	303	SFMF••••-90	722	SJSS•••CC-20	520
SBC•••AL	89	SD•200	76	SF•••NYFD	597	SK••	303
SBC•••ALFL	89	SD•300	76	SF•••NYFD•-	597	SK1098	379
SBC•••ALMNPT	89	SD•400	76	SF••NYFD••T	597	SL••	129
SBC•••ALTTMA	89, 782	SDMP••	303	SF•••S	597	SL•••	629
SBC-E300CC13	465	SE45••	734	SFSA30••••F	607	SL075GHT	629
SBC-E300TP13	481	SE45•••	734	SFSA30••••F-LH	607	SL150NST	629
SBCS	127	SE45•••G	734	SFSA••••F	606	SL•••CR	128
SBC•••SS	89, 121	SE45••G	734	SFSA••••F-LH	606	SL•••F	128
SBC•••SSFL	89	SE90••	733	SFSA••••S	606	SL•••H	128
SBC•••SSMNPT	89	SE90•••	733	SG•••	389	SL•••M	128
SBDV••	549	SE90••B	733	SGH••	332	SLP1	129
SBG	127	SE90••FS	733	SGH•••	332	SLR•	129
SB••N	301	SE90••G	733	SGP•••	610	SLS•••	304
SBV•••	561	SE90••SS	733	SGS•••	74, 390	SLS4	111
SBV2525	561	SE••100	140	SGS•••-NL	610	SLT10050	673
SC•••	392	SE•F•M	345, 733	SGV•••	557	SM515W50•••	645
SC••••	392	SEGC0•••••	796	SGV30•••	557	SMB450	610
SC•••ABS	610	SEGC1•••••	796	SGV•••F	548	SMB1525	610
SCCW•••	392	SEGS0•••••	796	SGVF•••	548	SM•••F	600
SCCW••••	392	SEGS1•••••	796	SHP••	736	SM•••F-D	600
SCM••	154, 708	S•••••F	653	SHP•••	736	SM••F••T	600
SC•••-NL	610	SF1471•••	729	SHP•••B	736	SM••F••T-D	600
SCS4025F	568	SF1631•••	729	SHP•••FS	736	SM•••NYC	600
SCS4025NYFD	568	SFBTFLY••••F	564	SHP••FS	736	SM•••NYFD	600
SCV•••	429	SFC•••	429	SHP•••G	736	SM•••S	600
SCVH•	142	SFC••••	429	SHP••G	736	SM••S••F	600
SCVH••	142	SF•••F	597	SHP•••SS	736	SMV•••	429
SCVJ•	142	SF•••F•-	597	SHP••SS	736	S••N	301
SCVL•	142	SF•••F-D	597	SHS••	308, 312	SN•••	429
SCVL••	142	SF••F••T	597	SHS•••	312	SN••••	429
SCVM•	142	SF••F••T-D	597	SIC250F	567	SN75	334
SCVM••	142	SFMF•••	722	SIC250F•-	567	SO•••	726
SCVR•	142	SFMF••••	722	SJBV•••	563	SO••••	726



Part Number Index

	Page #		Page #		Page #		Page #
SOE••	735	SSC-T••-2	801	STC40CS	68	SV••SS	158
SOE•••	735	SSCVIL•••	712	STC-180•-R•••	513	SW••	302, 634
SOR•••	726	SSE••	794	STC-360-R•••	513	SW••••••••	719
SOT••	735	SSGV••	691	STC••A	286	SW•••	70, 302, 654, 672
SOT•••	735	SSGV•••	691	STC••CS	18, 19, 21, 22, 290	SW153	634
SP••	309	SSLBV••	684	STC••CSHD	21, 22	SW250	581
SP•••	309, 311	SSLBV•••	684	STC-RK•••	513	SW300F	581
SPA•••	793	SSLBV•••SP	684	STFC•	324	SW1530	634
SPA••••	793	SSLBV••SP	684	STFC••	324	SWB-2	634
SPF•••	429	SSPM•	358	STFC•SS	324	SWB-S•	634
SRH360•••-G•••	512	SST••	735	STFP•	325	SWCV••	714
SRH360•••-R•••	512	SST•••	735	STFP••	325	SWCV•••	714
SS•••	303, 389	SST10	163	STFP•B	325	SWDS	320
SS••••	574	SSV•••	565	STFP•SS	325	SWDSHOSE••	320
SS16•••	395	SSV3•••	565	STMC•	324	SW•••F	654
SS17•••	395	SSV4•••	566	STMC••	324	SWG300-4	673
SS337	114	SSVJ•••	566	STMC•SS	324	SWMF•••	767
SS2404•••	414	SSVJ-RK	677	STMP•	325	SWMF-RK•	765, 767
SS2404•••••	414	ST•	285	STMP••	325	SWMF-RK••	765, 767
SS2405•••	414	ST••	285	STMP•B	325	SWRG80-250-4	673
SS2405•••••	414	ST•••	285, 668	STMP•SS	325	SW-S400	634
SS2501•••	416	ST204B	389	ST••PF	297	S•••X•••X090CS	23
SS2501•••••	416	ST205G	389	STR2••••	720	S••••X•••X120CS	23
SSA••	321	ST206R	389	STR3••••	721	S•••X•••X120CS	23
SSA••••	609	STB•	286	STR6648	721	SZW2	634
SSA30•••	609	STB••	286	STV••	286	SZW2-NL	634
SSBV••	683	STB•••	286	STV•••	286		
SSBV•••	683	STBC•••	393	STV••CS	18, 19, 290	T•••	726, 748
SSBV•••SR	685	STBC••••	393	STW•••	654	T••••	726, 748
SSBV••SR	685	STBC••••L	394	SUBV••	690	T2CM•••PL	535
SSBV•••TW	693	STBC•••L	394	SUBV•••	690	T2CM•••PM	535
SSBV••TW	693	STB••CS	19, 290	SUBVN100	690	T2CMP•••PL	535
SSC••	340	STC•	285	SV••	158, 169	T2CMP•••PM	535
SSCAP••	736	STC••	285	SV•••	140, 158	T2KM•••PL	536
SSCF••	340	STC•••	285	SV•••HD	158	T2KM•••PM	536
SSCM••	340	STC••••	287	SV••HD	158	T2KMP•••PL	536
SSC-T••-1	801	STC•••••	287	SV•••SS	158	T2KMP•••PM	536



Part Number Index

	Page #		Page #		Page #		Page #
T2KS-...PL	535	TCM**	372	TM**	299, 375, 437	TPR-...*	438
T2KS-...PM	535	TCMR-T**	801	TM-...*	438	TPS*	376
T2S-...PL	535	TCN**	376	TM**	437	TPS**	376
T2S-...PM	535	TCR-T-...*	801	TM-...*	438	TPX*	376
T7MP-...PL	537	TCS-...F	570	TM-...*	793	TPX**	376
T7MP-...PM	537	TCS-...F-...*	570	TM502	793	TR	104
T7RWWW-...PL	536	TCT**	63	TML**	437	TR-...*	726
T7RWWW-...PM	536	TDV**	554	TML-...*	438	TR-C	104
T7WWM-...PL	537	TES-...*	799	TML**	437	TR-CAP	104
T7WWM-...PM	537	TETF4AL	58, 786	TMPF15S	677	TRW7	376
T7WWMS-...PL	537	TETF4ALFP50	58	TMPF**F	677	TSA**	373
T7WWMS-...PM	537	TETFG4AL	58, 786	TMPM**F	677	TSE**	374
T7WWW-...PL	536	TF**	372	TMPM**S	677	TSS**	313
T7WWW-...PM	536	TFK	192	TMR**	437	TSSS-...*	375
T16AMP-...PL	539	TFN150-...*	624	TMR-...*	438	TSST-...*	375
T16AMP-...PM	539	TFN150NST-...*	624	TMR**C	437	TT*50	787
T16AMP-...PM	539	TFS**	371	TN	104	TT*75	787
T16AMP-...PM	539	TFV**	156	TN**	371, 372	TTA50LP	787
T16W-...PL	539	TFV2HB	156	TN-...*	371	TTA50SS	787
T16W-...PM	539	TF**WF-80	437	TN-...*	371	TT*ASG	65
T31W-...PL	538	TG**	437	TN-P	104	TT*ASG-ETH	65
T31W-...PM	538	TG-...*	438	TN-PLUG	104	TTB100	787
T32W-...PL	538	TG-...*	437	TN-...X*	743	TTBP50	787
T32W-...PM	538	TG-...*	438	TN-...X*B	344	TTC*	376
T3114MP-...PL	538	TGL**	437	TN-...X*SS	743	TTF4AL-FT	728, 782
T3114MP-...PM	538	TGL-...*	438	TP**	437	TTF400SP	57, 66, 728, 782
T3214MP-...PL	538	TGL-...*	437	TP-...*	438	TTF*AL-EMT	57, 66, 728, 782
T3214MP-...PM	538	TGR**	437	TP-...*	437	TTF*AL-FT	57, 66
TA-...*	373	THB**	372	TP-...*	438	TTF*AL-MT	57, 66, 728, 782
TA-...*	793	THN**	297	TPF**	377	TTFS4AL-FP50	66
TA502	793	TL14AM7-...PL	455, 539	TPG	581, 791	TTFS4SS	65
TA-...F	373	TL14AM7-...PM	539	TPL**	437	TTFST40CS	68
TBC-...*	393	TLFS**	374	TPL-...*	437	TTFST**CS	20, 291
TC97	370	TLS**	374	TPM*	299, 377	TTFST**CS-THK	20, 291
TC97RB	370	TLSS**	375	TPN**	377	TTMA-64	66
TCF*	373	TLT**	374	TPP140	331	TTPM-...*	787
TCF**	372	TM*	299, 375	TPR**	437	TTPM-...*	787



Part Number Index

	Page #		Page #		Page #		Page #
TTPM***	787	VHC***SS	403	W46---U	407	WDH**BK**KAF	641
TTPM***	787	VHN**	403, 404	W46---U	407	WDH**BK**KAS	641
TUN0**G	731	VHN***	403	W48---U	407	WDH**BK**RAF	640
TUN**F	342, 731	VHN***B	403	W48---U	407	WDN150	617
TUN***FS	731	VHN***NV	403	W49---	407	WDN150NST	617
TUN***SS	731	VHN***SS	403	W49---*	407	WDS1	320
TVPC200-300	531	VMIL**	548	W59---U	407	WDSR	320
TVS7-30	335	VN***-200	750	W59---U	407	WF*	114
TVSEC-G**	532	VNR***-200	750	W60---	407	WF**	114
TVW7	376	VR***	755	W60---*	407	WF***	114
T*W7	335	VR4030CS-AL	59, 785	W61---	407	WF26-1	114
TWGV25	673	VR4040CS-AL	59, 785	W61---*	407	WH***	312
TYP2501**	164	VR4040CSRK*	785	W74D-2A-MB32	259	WH300*	76
		VR4050AL	761	W104---	407	WH400*	76
U**	318, 319	VR4050PL	761	W104---*	407	WHYD***F	676
UDC**	153	VR4086	759	W106---	407	WILK26DISPLAY	243
UDC***	153	VR4086-BY	759	W106---*	407	WM*	114
UHG250F	553	VR6000*	755	WA*	138	WM**	114
UHG250F-D	553	VR6200	755	WA2B	138	WN**	723
UHG250-W	553	VR6200NP	755	WA2SS	138	WN***	727
UPP250*	620	VRC3000AL	59, 785	WA4FL12X***	27	WN1000	727
UPP250F	672	VT	102	WA4FL12X***	27	WOC-T**	800
UPP250F-SPEC	620	VT7	102	WB*	138	WP2H---*	578
UPPT	620	VT9	102	WB1C	138	WP2H**	578
UPPT**	620	VTT	102	WB1SS	138	WP2H-ASSP*	578
USBG	127	VTX	102	WBC	114	WP3H***	578
USW	631	VTX-9	102	WD40	788	WP3H*-ASSP*	578
				WDGV250NYFD	550	WP3HH-PT*	578
VEP**DC-A	402	W*	114	WDGV***F	550	WP3H*-PT*	578
VEP**DC-A	402	W**	113, 114	WDH**BK50RAS	640	WSB**	797
VEP**F**	402	W4---U	407	WDH**BK50RAT	640	WSB---*	797
VEP**F*	402	W4---U	407	WDH**BK50UC	639	WSB---*	797
VHC**	403, 404	W43---U	407	WDH**BK100RAF	640	WSB-20Z	797
VHC***	403	W44---U	407	WDH**BK100RAS	640	WSB**T	797
VHC***B	403	W44---U	407	WDH**BK100RAT	640	WSB**T***	797
VHCN**	404	W45---	407	WDH**BK100UC	639	WS**DC-A	400
VHC***NV	403	W45---*	407	WDH**BK**GAX	641	WS*DC-A	400





	Page #	Page #	Page #	Page #
WS•F••	400			
WS•F•	400			
WS•F••-BOP	400			
WS•F•-BOP	400			
WSR•	138			
WSR1•	138			
WSR•SS	138			
WSS••	382			
WTB-T••	800			
WTB-T••Z	800			
W•••••-U	407			
X02-04	232			
X02-04MB	232			
X03-02	218			
X03-02MB	218			
X27	391			
XLS••A0120P	708			
XPO••4F	708			
XSO-4•••-0A	708			
Y•••	714			
Y10075	125			



## Limited Warranty

DIXON VALVE AND COUPLING COMPANY (herein called "Dixon") warrants the products described herein, and manufactured by Dixon to be free from defects in material and workmanship for a period of one (1) year from date of shipment by Dixon under normal use and service. Its sole obligation under this warranty being limited to repairing or replacing, as hereinafter provided, at its option any product found to Dixon's satisfaction to be defective upon examination by it, provided that such product shall be returned for inspection to Dixon's factory within three (3) months after discovery of the defect. The repair or replacement of defective products will be made without charge for parts or labor. This warranty shall not apply to: (a) parts or products not manufactured by Dixon, the warranty of such items being limited to the actual warranty extended to Dixon by its supplier; (b) any product that has been subject to abuse, negligence, accident, or misapplication; (c) any product altered or repaired by others than Dixon; and (d) to normal maintenance services and the replacement of service items (such as washers, gaskets and lubricants) made in connection with such services. To the extent permitted by law, this limited warranty shall extend only to the buyer and any other person reasonably expected to use or consume the goods who is injured in person by any breach of the warranty. No action may be brought against Dixon for an alleged breach of warranty unless such action is instituted within one (1) year from the date the cause of action accrues. This limited warranty shall be construed and enforced to the fullest extent allowable by applicable law.

Other than the obligation of Dixon set forth herein, Dixon disclaims all warranties, express or implied, including but not limited to any implied warranties of merchantability or fitness for a particular purpose, and any other obligation or liability. The foregoing constitutes Dixon's sole obligation with respect to damages, whether direct, incidental or consequential, resulting from the use or performance of the product.

Some products and sizes may be discontinued when stock is depleted, or may require a minimum quantity for ordering.

---

## Limits of Liability

This catalog is intended as a product offering. It is not intended to be a user or technical manual. Information in this catalog is subject to change without notice. All users and distributors of products sold through this catalog should contact Dixon™ with questions of use, compatibilities, coupling procedures and life of product. Our full-time engineering and test staff is always available to recommend uses and to assist distributors and users with any questions.



---

## Safety



Safety logos, which appear throughout our catalog, are used as a reminder that the user should carefully review for the appropriateness of the product for the media, application and environment in which it will be used.

NOTE: Because of the health hazards associated with contamination and lead content in drinking water systems, Dixon™ couplings, unless otherwise specifically approved, are not recommended for potable water service and should not be used in applications where drinking water will contact the wetted surfaces of the coupling.

Warning: Dixon™ products may contain chemicals known to the State of California to cause cancer, birth defects, or other reproduction harm.

---

## Copyright

Copyright © 2016 by Dixon Valve and Coupling

All rights reserved. This book is copyrighted material. Use, reproduction or copying of it by anyone other than Dixon™ is strictly forbidden without its express written consent.

<b>A</b>	<b>King Crimp™</b> pages 12-20
<b>B</b>	<b>Boss™ LPS</b> pages 21-23
<b>C</b>	<b>Cam &amp; Groove</b> pages 29-37
<b>D</b>	<b>Dry Disconnect Fittings</b> pages 88-107
<b>E</b>	<b>Boss™ Fittings</b> pages 103-118
<b>F</b>	<b>Air Fittings, FRL's, Gauges</b> pages 119-234
<b>G</b>	<b>Shank / Water Fittings</b> pages 235-319
<b>H</b>	<b>Garden Hose &amp; Washdown</b> pages 320-341
<b>I</b>	<b>Brass Fittings</b> pages 342-368
<b>J</b>	<b>Plastic Fittings</b> pages 369-377
<b>K</b>	<b>Clamps</b> pages 378-394
<b>L</b>	<b>Hydraulic Fittings</b> pages 395-433
<b>M</b>	<b>Holedall™ Fittings</b> pages 434-451
<b>N</b>	<b>Sanitary Fittings</b> pages 452-533
<b>O</b>	<b>BioPharmaceutical Fittings (BPE)</b> pages 534-539
<b>P</b>	<b>Fire Fittings</b> pages 540-577
<b>Q</b>	<b>Valves</b> pages 673-715
<b>R</b>	<b>Pipe &amp; Welding</b> pages 716-751
<b>S</b>	<b>Tank Truck</b> pages 752-775
<b>T</b>	<b>Swivels &amp; Rack Equipment</b> pages 776-786
<b>U</b>	<b>Maintenance &amp; Repair</b> pages 787-796
<b>V</b>	<b>PTFE Hose &amp; Fittings</b> pages 797-802
<b>W</b>	<b>Safety</b> pages

## United States

**Albany, NY**  
ph 518.725.0993  
178A Corporate Drive  
Gloversville, NY 12073  
fx 518.725.8542

**Atlanta, GA**  
ph 770.486.9619  
101 T.D.K. Boulevard  
Suite A  
Peachtree City, GA 30269  
fx 770.486.9813

**Dallas, NC**  
ph 704-376-5755  
2925 Chief Court  
Dallas, NC 28034  
fx 704-376-1557

**Chestertown, MD**  
ph 800.355.1991  
800 High Street  
Chestertown, MD 21620  
fx 800.283.4966

**Chicago, IL**  
ph 630.323.3716  
1011 N. Hilltop Drive  
Itasca, IL 60143  
fx 630.323.4120

**Cleveland, OH**  
ph 330.425.3000  
1900 Enterprise Parkway  
Twinsburg, OH 44087  
fx 330.425.1527

**Houston, TX**  
ph 713.678.4291  
6525 Homestead Road  
Houston, TX 77023  
fx 713.678.8105

**Kansas City, MO**  
ph 816.221.0064  
1244 Saline Street  
N. Kansas City, MO 64116  
fx 816.221.1108

**Los Angeles, CA**  
ph 909.605.6400  
8840 Flower Road  
Suites150/160  
Rancho Cucamonga, CA 91730  
fx 909.605.6200

**Portland, OR**  
ph 503.289.0400  
2642 North Marine Drive  
Portland, OR 97217  
fx 503.289.0600

**Salt Lake City, UT**  
ph 801.972.1180  
McGillis Ind. Pk. Bldg., #4  
1972 South 4370 West  
Salt Lake City, UT 84104  
fx 801.972.8063

**Tampa, FL**  
ph 813.247.3500  
5120 Adamo Drive  
Suite E  
Tampa, FL 33619  
fx 813.247.7910

## International

**Edmonton, Alberta, Canada**  
ph 780.469.5444  
fx 780.463.9205

**Innisfil, Ontario, Canada**  
ph 705.436.1125  
fx 705.436.6251

**Montreal, Quebec, Canada**  
ph 514.422.9292  
fx 514.422.0166

**Wingfield SA, Australia**  
ph 61.8.8202.6000  
fx 61.8.8202.6099

**Preston, England**  
ph 44.1.77.232-3529  
fx 44.1.77.231.4664

**Troisdorf-Spich, Germany**  
ph 49.2241.84406.0  
fx 49.2241.8440679

**Monterrey, Mexico**  
ph 52.81.8354.5649  
fx 52.81.8354.8197



*The Right Connection®*

**Dixon™**  
ph 877.963.4966  
fx 800-283-4966  
dixonvalve.com

dixonvalve.com



customer service

