



Connection Verification™ Calibration Tool

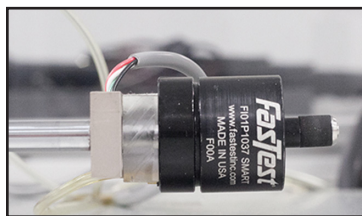


For Quick & Simple Programming of — FE+ & FI+ Quick Connectors —

Teach button
for FE+ & FI+



- Eliminate need for PLC programming
- Easily set calibration points on the Fastest quick connector
- LED connection status feedback
- NPN and PNP output options
- Place teach button in secure and convenient areas
- Stock, two meter cables available



FOR VIDEOS & MORE INFORMATION



AVAILABLE AT FASTESTINC.COM

Connection Verification™ indicates the connector properly actuated

This unique technology provides greater connection accuracy and improves testing efficiency by reducing the number of failed tests due to improper or missed connections.

Applications:

Bench Top Leak Test Stations

Fully Automated Leak Test Cells

Pick & Place

Fluid Filling & Flow Testing



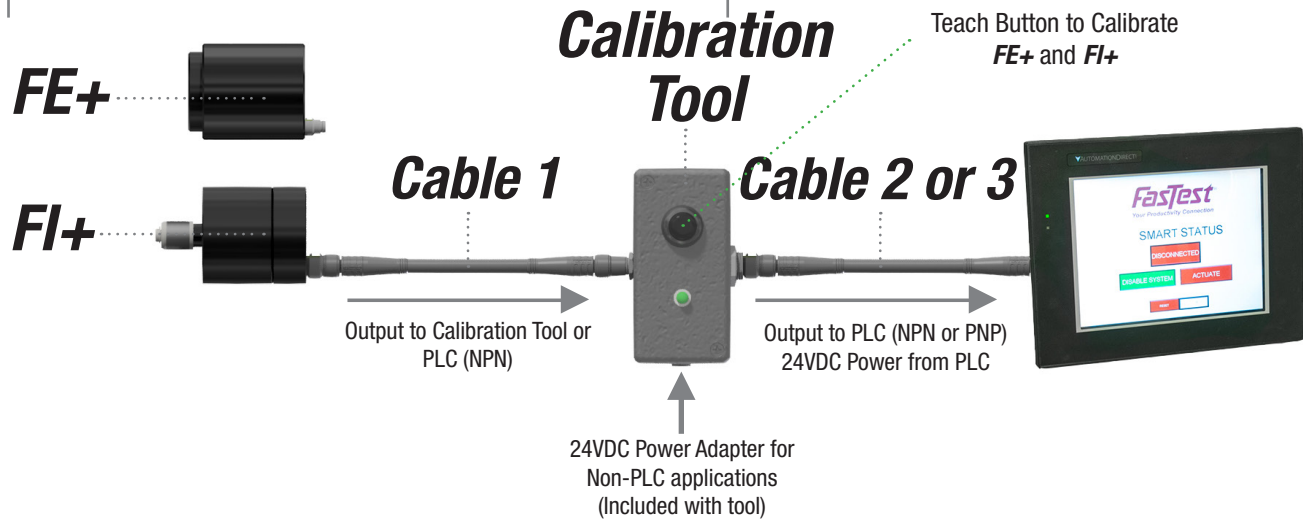
FE+ & FI+ Connection Verification™

(Patent Pending)



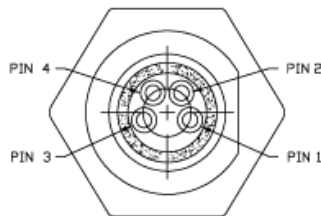
PLC Applications

Non-PLC Applications

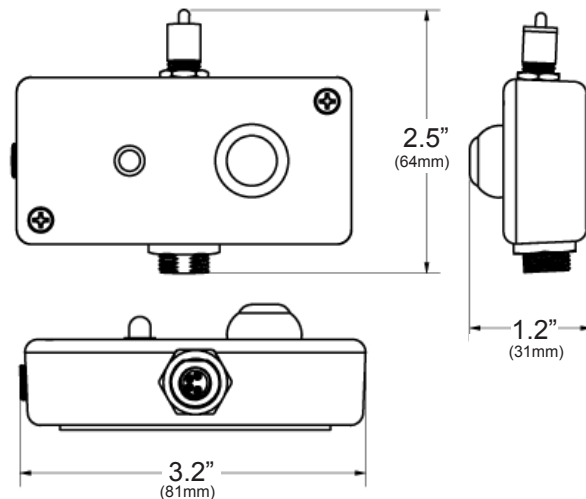


Ordering Information:

Part Number	Description	Output Signal	Supply Voltage
SPCT-0101P	Calibration tool for CV02 enabled connectors (sourcing)	PNP	24 VDC
SPCT-0101N	Calibration tool for CV02 enabled connectors (sinking)	NPN	24 VDC
SPCASR0402APP	Cable 1 (M8 to M8), 2m length	N/A	N/A
SPCASR0502C	Cable 2 (M8 to flying lead), 2m length	N/A	N/A
TSE00035	Cable 3 (M8 to M12), 2m length	N/A	N/A



Pin	Description	Wire Cable
Pin 1	24VDC	Brown
Pin 2	Calibration	White
Pin 3	Signal	Blue
Pin 4	Ground	Black



Want to Learn More About FasTest's Connection Verification™ Technology?
Contact FasTest Today!

Email: fastsales@fastestinc.com | Phone: 1-800-444-2373