

E

Air Preparation Products

Air Preparation Products

Air Preparation Products

Global FRL's



- Port size: 1/4 through 3/4 inch
- Maximum supply pressure: 300 PSIG
- Operating temperature: -13°F through 150°F
- Filters, regulators, filter / regulators, lubricators and accessories

E3

General Industrial FRL's



- Port size: 1/8 through 3 inch
- Maximum supply pressure: 250 PSIG
- Operating temperature: 32°F through 150°F
- Filters, regulators, filter / regulators, lubricators and accessories

E83

Prep-Air II FRL's



- Compact & standard
- Port size: 1/4 through 3/4 inch
- Filters, regulators, filter / regulators, lubricators and accessories
- Operating temperature: 32°F through 175°F
- Point of use applications
- Modular construction

E44

Stainless Steel FRL's



- Port sizes: 1/4 and 1/2 inch
- Stainless steel construction handles most corrosive environments
- Operating temperature -40°F through 180°F
- Meets NACE specifications MR-01-75/ISO 15156
- Filters, regulators, filter / regulators, and lubricators

E104

Miniature FRL's



- Port size: 1/8 through 3/8 inch
- Filters, regulators, filter / regulators, lubricators and accessories
- Operating temperature: -4°F through 125°F
- Non-modular construction
- Ideal for point of use applications

E63

Precision / Proportional Regulators



- Port sizes: 1/4 through 2 inch
- Maximum supply pressure: 300 PSIG
- Operating temperature: -40°F through 200°F
- High precision
- Electronic proportional

E111

P3N FRL's



- Port size: 3/4 through 1-1/2 inch
- Filters, regulators, filter / regulators, lubricators and accessories
- Operating temperature: 32°F through 175°F
- High flow

E74

Bulk Liquid Separators



- Port sizes 1/4 through 6 inch flange
- High liquid removal efficiencies at all flow conditions
- Low maintenance
- Suitable for variable flow compressors

E122



Air Preparation Products

Global

Prep-Air II

Miniature

P3N

General Industrial

Stainless Steel

Precision / Proportional

Bulk Liquid Separators

P3NF Hi-Flow Particulate Filters

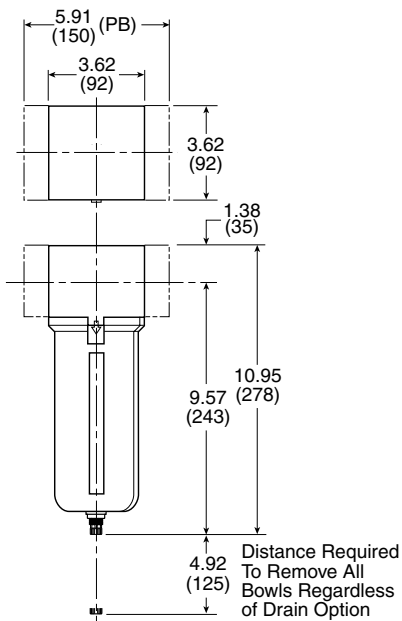
- Excellent water removal efficiency
- Port blocks (PB) available to provide 1-1/2" port extension to 1" ported bodies
- 40 micron element standard
- Metal bowl with sight gauge standard
- 3/4", 1", & 1-1/2" ports (NPT & BSPP)

Material specifications

Description	P3NF (Hi-Flow)	
Body	Aluminum	
Bowl	Aluminum	
Deflector	Plastic	
Drain	Plastic	
Filter element –	40 micron	Plastic
Seals	Nitrile	
Sight gauge	Polyamide (Nylon)	



P3NF (Hi-Flow)



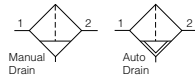
Operating information


		P3NF (Hi-Flow)
Operating pressure:	Metal bowl	0 to 250 PSIG (0 to 17.2 bar)
	Auto float drain	15 to 250 PSIG (1.0 to 17.2 bar)
Operating temperature:	Metal bowl	32°F to 175°F (0°C to 80°C)

Service kits

Description	P3NF (Hi-Flow)	
Bowl Kits –	Sight gauge / auto float	P3NKA00BSA
	Sight gauge / twist drain	P3NKA00BSM
Bowl latch kit	C11A33	
DPI replacement kit	PS781P	
Drain kit –	Auto drain	PS506P
	Twist drain	PS512P
Filter element kit –	40 micron	P3NKA00ESG
	5 micron	P3NKA00ESE
	Adsorber	P3NKA00ESA
Mounting bracket kit	P3NKA00MW	
Sight gauge kit	P3NKA00PE	

P3NF Particulate Filters



	Port size	Bowl type	Sight gauge	Flow SCFM	Element type	Part number (NPT)	
						Twist drain	Automatic float drain
P3NF 	3/4"	Metal	Yes	270	40 micron	P3NFA96GSM	P3NFA96GSA
	1"	Metal	Yes	300	40 micron	P3NFA98GSM	P3NFA98GSA
	1-1/2" #	Metal	Yes	310	40 micron	P3NFA9PGSM	P3NFA9PGSA
# 1" port body with 1-1/2" port block							

Note: BSPP ported units supplied using NPT ported bodies and BSPP port block kits.

Most popular.



P3NF Hi-Flow Coalescing Filters

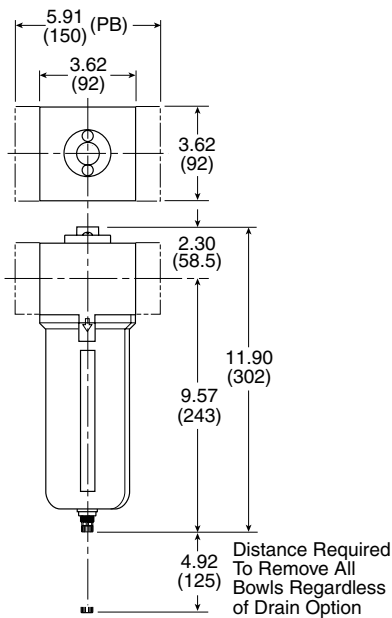
- Removes liquid aerosols and sub-micron particles
- Port blocks (PB) available to provide 1-1/2" port extension to 1" ported bodies
- 0.01 micron element standard
- Metal bowl with sight gauge standard
- 3/4", 1", & 1-1/2" ports (NPT & BSPP)

Material specifications

Description	P3NF (Hi-Flow)
Body	Aluminum
Bowl	Aluminum
Deflector	Plastic
Drain	Plastic
Filter elements – 1.0 micron	Borosilicate & felt glass fibers
Seals	Nitrile
Sight gauge	Polyamide (Nylon)



P3NF (Hi-Flow)



Coalescing Filters

	Port size	Bowl type	Sight gauge	Flow SCFM	Element type	Part number (NPT)	
						Twist drain	Automatic float drain
P3NF	3/4"	Metal	Yes	130	0.01 micron	P3NFA96DSM	P3NFA96DSA
	1"	Metal	Yes	140	0.01 micron	P3NFA98DSM	P3NFA98DSA
	1-1/2" #	Metal	Yes	225	0.01 micron	P3NFA9PDSM	P3NFA9PDSA

1" port body with 1-1/2" port block



Note: BSPP ported units supplied using NPT ported bodies and BSPP port block kits.

Most popular.

Operating information

		P3NF (Hi-Flow)
Operating pressure:	Metal bowl	0 to 250 PSIG (0 to 17.2 bar)
	Auto float drain	15 to 250 PSIG (1.0 to 17.2 bar)
Operating temperature:	Metal bowl	32°F to 175°F (0°C to 80°C)

Service kits

Description	P3NF (Hi-Flow)	
Bowl Kits –	Sight gauge / auto float	P3NKA00BSA
	Sight gauge / twist drain	P3NKA00BSM
Bowl latch kit	C11A33	
DPI replacement kit	PS781P	
Drain kit –	Auto drain	PS506P
	Twist drain	PS512P
Filter element kit –	Grade 6 (standard)	P3NKA00ESCB
	Grade 10 (optional)	P3NKA00ES9
Mounting bracket kit	P3NKA00MW	
Sight gauge kit	P3NKA00PE	



Air Preparation Products

Global

Prep-Air II

Miniature

P3N

General Industrial

Stainless Steel

Precision / Proportional

Bulk Liquid Separators


P3NR Hi-Flow Regulators

- Port blocks (PB) available to provide 1-1/2" port extension to 1" ported bodies
- Self relieving feature plus balanced poppet provides quick response and accurate pressure regulation
- Solid control piston for extended life
- 3/4", 1", & 1-1/2" ports (NPT & BSPP)



P3NR Hi-Flow Regulators



	Port size	Gauge	Flow (SCFM)	Part number (NPT), Relieving
	3/4"	No	200	P3NRA96BNN
	1"	No	300	P3NRA98BNN
	1-1/2"	No	300	P3NRA9PBNN
	3/4"	125 PSI	200	P3NRA96BNG
	1"	125 PSI	300	P3NRA98BNG
	1-1/2"	125 PSI	300	P3NRA9PBNG

Note: BSPP ported units supplied using NPT ported bodies and BSPP port block kits.

Material specifications

	P3NR
Adjusting screw	Steel
Body	Aluminum
Bonnet	Aluminum
Knob	Plastic
Piston	Plastic
Poppet assembly	Brass
Seals	Nitrile
Springs – poppet & control	Steel

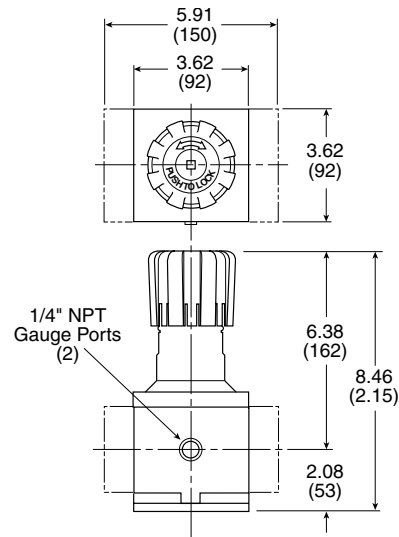
Service kits

Body service kit	
Control knob	P3NKA00PN
Gauges –	
50mm (2") round	60 PSIG (0 to 4.1 bar)
1/4" center back mount	160 PSIG (0 to 11.0 bar)
	300 PSIG (0 to 20.0 bar)
44mm (1-3/4") digital round	0-160 PSIG / 0-11 bar / 0-1.1 MPa
1/4" center back mount	K4517N14160D
Mounting bracket kit	P3NKA00MW
Repair kits –	
Non-relieving	P3NKA00RN
Relieving	P3NKA00RR
Springs –	
1-60 PSIG	C10A1304
2 to 125 PSIG	SPR-47
5 to 250 PSIG	SPR-48

Operating information

Pressure rating, maximum:	250 PSIG (17.2 bar)
Temperature rating:	32°F to 175°F (0°C to 80°C)

P3NR (Hi-Flow)



WARNING

Product rupture can cause serious injury.
 Do not connect regulator to bottled gas.
 Do not exceed maximum primary pressure rating.

CAUTION: REGULATOR PRESSURE ADJUSTMENT –

The working range of knob adjustment is designed to permit outlet pressures within their full range. Pressure adjustment beyond this range is also possible because the knob is not a limiting device. This is a common characteristic of most industrial regulators, and limiting devices may be obtained only by special design. For best performance, regulated pressure should always be set by increasing the pressure up to the desired setting.

Most popular.



P3NR Hi-Flow Pilot Operated Regulators

- Port blocks (PB) available to provide 1-1/2" port extension to 1" ported bodies
- Self relieving feature plus balanced poppet provides quick response and accurate pressure regulation
- Solid control piston for extended life
- 3/4", 1", & 1-1/2" ports (NPT & BSPP)



Operating information

Pressure rating, maximum:	250 PSIG (17.2 bar)
Temperature rating:	32°F to 175°F (0°C to 80°C)
Flow capacity SCFM:	3/4"; 300 1"; 300 1-1/2"; 350

P3NR Hi-Flow Pilot Operated Regulators

	Port size	Gauge	Part number (NPT), relieving
P3NR	3/4"	No	P3NRA96BPP
	1"	No	P3NRA98BPP
	1-1/2"	No	P3NRA9PBPP
	3/4"	160 PSI	P3NRA96BPG
	1"	160 PSI	P3NRA98BPG
	1-1/2"	160 PSI	P3NRA9PBPG



Note: BSPP ported units supplied using NPT ported bodies and BSPP port block kits.

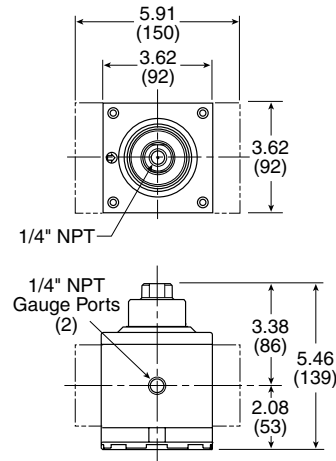
Material specifications

Adjusting stem	Steel
Body	Aluminum
Bonnet	Aluminum
Piston	Plastic
Poppet assembly	Brass
Seals	Nitrile
Springs – poppet	Steel

Service kits

Gauges – 50mm (2") round 1/4" center back mount	60 PSIG (0 to 4.1 bar)	K4520N14060
	160 PSIG (0 to 11.0 bar)	K4520N14160
	300 PSIG (0 to 20.0 bar)	K4520N14300
44mm (1-3/4") digital round 1/4" center back mount	0-160 PSIG / 0-11 bar / 0-1.1 MPa	K4517N14160D
Mounting bracket kit		P3NKA00MW
Repair kits	Relieving	P3NKA00PD

P3NR (Hi-Flow)



WARNING

Product rupture can cause serious injury.
 Do not connect regulator to bottled gas.
 Do not exceed maximum primary pressure rating.

CAUTION: REGULATOR PRESSURE ADJUSTMENT –

The working range of knob adjustment is designed to permit outlet pressures within their full range. Pressure adjustment beyond this range is also possible because the knob is not a limiting device. This is a common characteristic of most industrial regulators, and limiting devices may be obtained only by special design. For best performance, regulated pressure should always be set by increasing the pressure up to the desired setting.

Most popular.





Air Preparation Products

Global

Prep-Air II

Miniature

P3N

General Industrial

Stainless Steel

Precision / Proportional

Bulk Liquid Separators

P3NE Hi-Flow Filter / Regulators

- Port blocks (PB) available to provide 1-1/2" port extension to 1" ported bodies
- Excellent water removal efficiency
- Metal bowl with sight gauge
- Large filter element surface guarantees low pressure drop and increased element life
- 40 micron element standard
- Twist drain as standard, optional auto drain
- Self relieving feature plus balanced poppet provides quick response and accurate pressure regulation
- Solid control piston for extended life
- 3/4", 1", & 1-1/2" ports (NPT & BSPP)



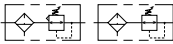
Material specifications


Adjusting stem	Steel
Body, bonnet, bowl	Aluminum
Drain	Plastic
Filter element – 40 micron	Plastic
Knob	Plastic
Piston	Plastic
Polyamide (Nylon)	Polyamide (nylon)
Springs – poppet & control	Steel

Operating information

Pressure ratings:	0 to 250 PSIG (0 to 17.2 bar)
Temperature rating:	32°F to 175°F (0°C to 80°C)

P3NE Hi-Flow Filter / Regulators



	Port size	Bowl type	Drain type	Flow SCFM	Element type	Part number (NPT)
	3/4"	Metal / Sight gauge	Twist	250	40 micron	P3NEA96GSMBNN
	3/4"	Metal / Sight gauge	Auto float	250	40 micron	P3NEA96GSABNN
	1"	Metal / Sight gauge	Twist	250	40 micron	P3NEA98GSMBNN
	1"	Metal / Sight gauge	Auto float	250	40 micron	P3NEA98GSABNN
	1-1/2" #	Metal / Sight gauge	Twist	250	40 micron	P3NEA9PGSMBNN
	1-1/2" #	Metal / Sight gauge	Auto float	250	40 micron	P3NEA9PGSABNN
	# 1" port body with 1-1/2" port block					

Note: BSPP ported units supplied using NPT ported bodies and BSPP port block kits.

WARNING

Product rupture can cause serious injury.
 Do not connect regulator to bottled gas.
 Do not exceed maximum primary pressure rating.

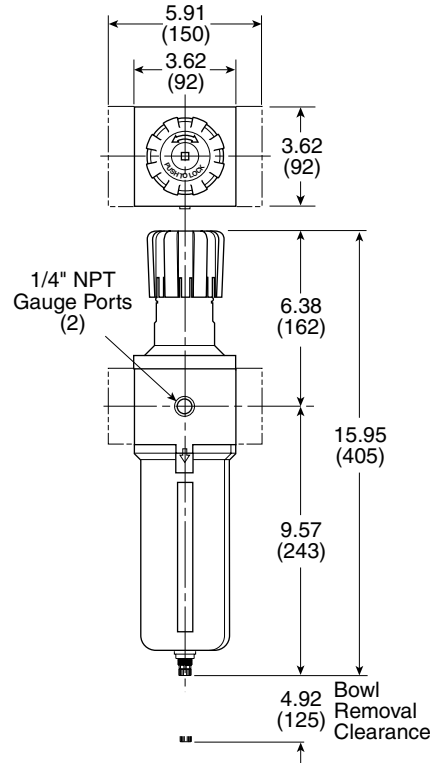
CAUTION: **REGULATOR PRESSURE ADJUSTMENT –**

The working range of knob adjustment is designed to permit outlet pressures within their full range. Pressure adjustment beyond this range is also possible because the knob is not a limiting device. This is a common characteristic of most industrial regulators, and limiting devices may be obtained only by special design. For best performance, regulated pressure should always be set by increasing the pressure up to the desired setting.

Most popular.



P3NE (Hi-Flow)



Service kits

Description		P3NE	
Bowl kits: Metal bowl –	Automatic drain	P3NKA00BSA	
	Twist drain	P3NKA00BSM	
Bowl latch kit		C11A33	
Control knob		P3NKA00PN	
Drain kits –	Automatic float drain	PS506P	
	Twist drain	PS512P	
Filter element kits –	40 Micron	P3NKA00ESG	
	5 Micron	P3NKA00ESE	
	Adsorber	P3NKA00ESA	
Gauges –	50mm (2") round 1/4" center back mount	60 PSIG (0 to 4.1 bar)	K4520N14060
		160 PSIG (0 to 11.0 bar)	K4520N14160
		300 PSIG (0 to 20.0 bar)	K4520N14300
	44mm (1-3/4") digital round 1/4" center back mount	0-160 PSIG / 0-11 bar / 0-1.1 MPa	K4517N14160D
Mounting bracket kit* (includes panel mount nut)		P3NKA00MW	
Service kits –	Non-relieving	P3NKA00RN	
	Relieving	P3NKA00RR	
Sight gauge kit		P3NKA00PE	
Springs –	1- 60 PSIG rang)	C10A1304	
	2- 125 PSIG range	C10A1308	
	5-250 PSIG range (white)	C10A1317	



Air Preparation Products

Global

Prep-Air II

Miniature

P3N

General Industrial

Stainless Steel

Precision / Proportional

Bulk Liquid Separators



Air Preparation Products

Global

Prep-Air II

Miniature

P3NL

General Industrial

Stainless Steel

Precision / Proportional

Bulk Liquid Separators

P3NL Hi-Flow Mist Lubricators

- Port blocks (PB) available to provide 1-1/2" port extension to 1" ported bodies
- Proportional oil delivery over a wide range of air flows
- Bowl can be filled while air line is under pressure
- Transparent sight dome for 360° visibility
- 3/4", 1" & 1-1/2" ports (NPT & BSPP)



Material specifications


Body	Aluminum
Bowls	Aluminum
Drains – twist (optional)	Plastic
Injector meter block & base assembly	Plastic
Seals	Nitrile
Sight dome	Polycarbonate
Sight gauge	Polyamide (Nylon)

Operating information

Pressure ratings: 0 to 250 PSIG (0 to 17.2 bar)
 Temperature rating: 32°F to 175°F (0°C to 80°C)
 Flow capacity: 3/4" – 240 SCFM
 1" – 250 SCFM
 1-1/2" – 260 SCFM
 Minimum Flow for Lubrication: 6.6 SCFM at 100 PSIG
 Suggested lubricant: F442 oil
 Petroleum based oil of 100 to 200 SSU viscosity at 100°F (38°C) and an aniline point greater than 200°F (93°C)
 (DO NOT USE OILS WITH ADDITIVES, COMPOUNDED OILS CONTAINING SOLVENTS, GRAPHITE, DETERGENTS, OR SYNTHETIC OILS.)

P3NL Hi-Flow Lubricators



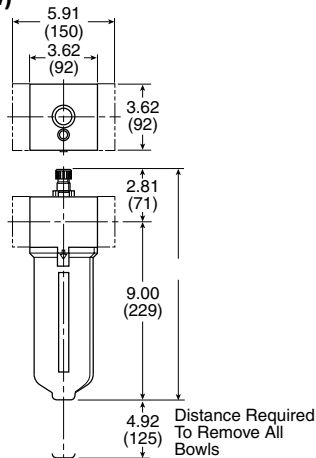
	Port size	Bowl type	Drain type	Flow SCFM	Part number (NPT)
P3NL 	3/4"	Metal / Sight gauge	None	240	P3NLA96LSN
	1"	Metal / Sight gauge	None	250	P3NLA98LSN
	1-1/2" #	Metal / Sight gauge	None	260	P3NLA9PLSN
	# 1" port body with 1-1/2" port block				

Note: BSPP ported units supplied using NPT ported bodies and BSPP port block kits.

Service kits

		P3NL
Adjustment knob		P04121
Bowl kits: Metal bowl –	No drain	P3NKA00BSN
	Twist drain	P3NKA00BSM
Bowl latch kit		C11A33
Drain kit	Twist drain	PS512P
Fill cap kit		P3NKA00PL
Mounting bracket kit		P3NKA00MW
Oil –	1 Quart	F442001
	12 Quart case	F442003
	4 Gallon case	F442005
Pressure fill adapter kit		P3NKA00PK
Service kit		P3NKA00RL
Sight dome kits –	Polycarbonate	PS740P
	Nylon	PS740N
Sight gauge kit		P3NKA00PE

P3NL (Hi-Flow)



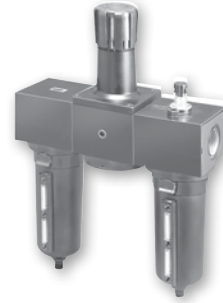
Most popular.



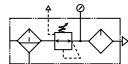
P3N Hi-Flow Combinations



Combinations – P3N Hi-Flow Series

- Regulator can be mounted with knob in up or down position
- 40 micron filter element standard
- Manual twist drain
- Relieving regulator
- 3/4", 1", & 1-1/2" ports (NPT & BSPP)



Modular Combinations



	Port size	Bowl type	Element type	Filter drain type	Pressure range	Relief type	Lubricator drain type	Part number (NPT)
P3NCA 	3/4"	Metal	40 micron	Twist	0-125	Relieving	None	P3NCA96SGMNNLNA
	1"	Metal	40 micron	Twist	0-125	Relieving	None	P3NCA98SGMNNLNA
	1-1/2" #	Metal	40 micron	Twist	0-125	Relieving	None	P3NCA9PSGMNNLNA
P3NCB 	3/4"	Metal	40 micron	Twist	0-125	Relieving	None	P3NCB96SGMNNLNA
	1"	Metal	40 micron	Twist	0-125	Relieving	None	P3NCB98SGMNNLNA
	1-1/2" #	Metal	40 micron	Twist	0-125	Relieving	None	P3NCB9PSGMNNLNA

Notes: All combo part numbers are with regulator knob in up position.
 BSPP ported units supplied using NPT ported bodies and BSPP port block kits.
 # 1" Port body with 1-1/2" port block.

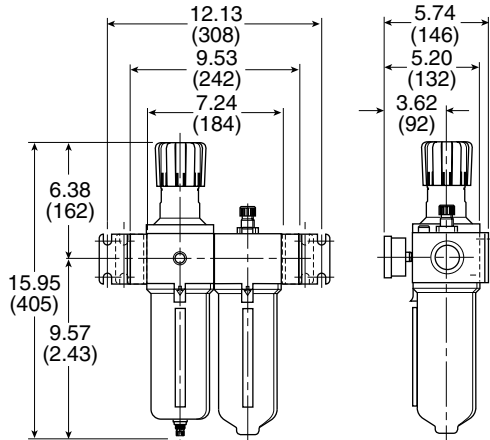
⚠ WARNING

Product rupture can cause serious injury.
 Do not connect regulator to bottled gas.
 Do not exceed maximum primary pressure rating.

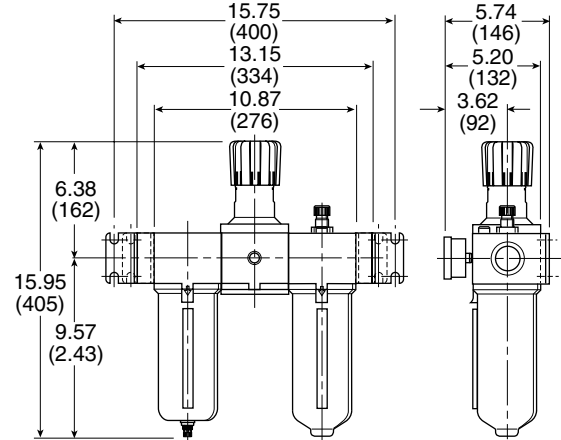
CAUTION:
REGULATOR PRESSURE ADJUSTMENT –
 The working range of knob adjustment is designed to permit outlet pressures within their full range. Pressure adjustment beyond this range is also possible because the knob is not a limiting device. This is a common characteristic of most industrial regulators, and limiting devices may be obtained only by special design. For best performance, regulated pressure should always be set by increasing the pressure up to the desired setting.

Most popular.

P3NCA (Modular 2-unit)



P3NCB (Modular 3-unit)



Service kits

Mounting bracket kit	P3NKA00MW
Replacement body cover	P3NKA00PM

Port block kits	3/4"	1"	1-1/2"
-----------------	-------------	-----------	---------------

Individual filters, individual regulators and 2-piece filter and regulator assemblies:

NPT	P3NKB96CP	P3NKB98CP	P3NKB9BCP
BSPP	P3NKB16CP	P3NKB18CP	P3NKB1BCP

2 and 3 piece combinations including a lubricator (FR/L & FRL), individual lubricators, individual coalescing filters and 2-piece filter and coalescer assemblies:

NPT	P3NKB96CL	P3NKB98CL	P3NKB9BCL
BSPP	P3NKB16CL	P3NKB18CL	P3NKB1BCL

U
Air Preparation Products
Global
Prep-Air II
Miniature
P3N
General Industrial
Stainless Steel
Precision / Proportional
Bulk Liquid Separators