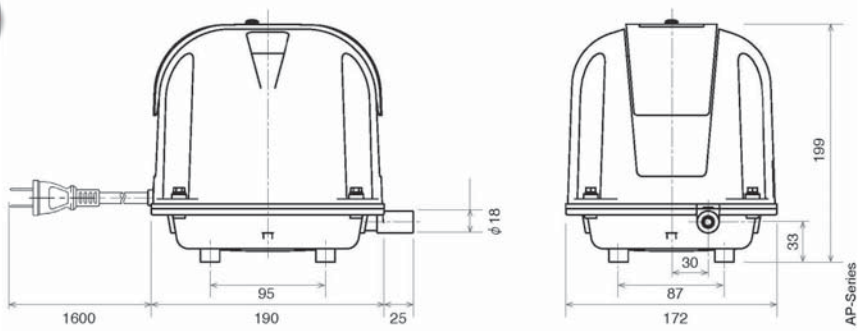


# Linear Diaphragm Pump AP-40

Flow at rated pressure | 45 l/min at 120 mbar



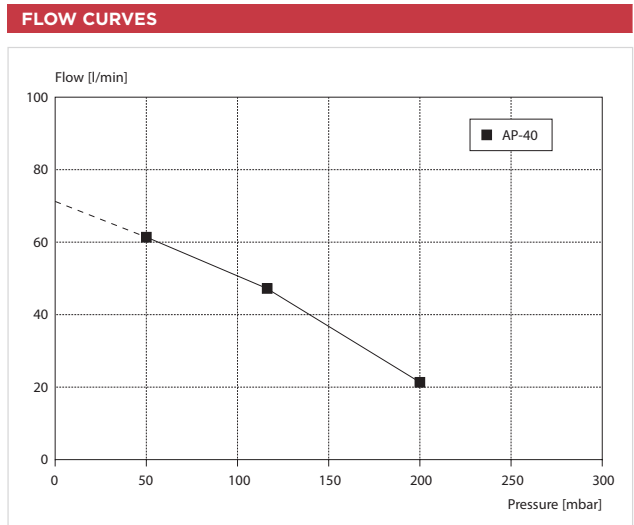
PNEUMATIC DATA	
Description	AP-40
Part number	<b>52500453</b>
Flow at rated pressure	45 l/min
Rated pressure	120 mbar
Operating range	50 to 200 mbar

ELECTRICAL DATA	
Motor type	Linear drive
Nominal Voltage	230V 50Hz
Consumption at rated pressure	0.34 A / 29 W
Efficiency at rated pressure	0.64 W/l

GENERAL DATA	
Ambient temperature	-10 to 40 °C
Weight	4.3 kg
Outlet diameter	18 mm
Average sound level	34 dB (A)

SERVICE PARTS	
Chamber block set <sup>1)</sup>	<b>700580</b>
Air filter and gasket kit	<b>700582</b>
Air filter kit	<b>700583</b>

All listed values are measured at standard atmospheric conditions.  
 If 230V 60Hz is required, please consult factory.  
 1) Denotes that service part is only available for trained service personnel.  
 Please refer to the operation manual for additional information.



Note: Operation outside specified operating range is not recommended.  
 All listed values are measured at standard atmospheric conditions

- SERVICE PARTS**
- Chamber block set<sup>1)</sup> consists of:
- 2 x Pump head with valves
  - 2 x Diaphragm assembly
  - 2 x Diaphragm gasket
  - 2 x Nut
  - 2 x Washer

- Air filter and gasket kit consists of:
- 1 x Air cleaner element
  - 1 x Air cleaner gasket
  - 1 x Cover plate gasket
  - 1 x Noise absorbing net
  - 1 x Tank gasket

- Air filter kit consists of:
- 5 x Air cleaner element
  - 5 x Air cleaner gasket

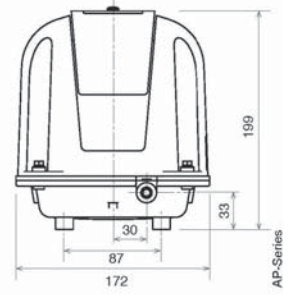
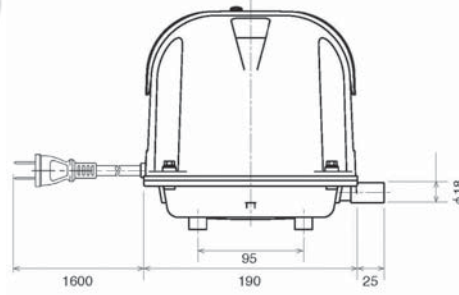
- SUPPLIED AS STANDARD**
- Cable/Euro-plug
  - Air connector consists of (part number 700073)
  - 1 x Outlet hose, angled, 170/50 mm
  - 2 x Hose clamp

**5250...** Stock programme

# Linear Diaphragm Pumps AP-60N, AP-60/80, AP-80H, AP-100, AP-120

Flow at rated pressure

47 to 125 l/min at 200 mbar



## PNEUMATIC DATA

Description	AP-60N	AP-60/80	AP-80H	AP-100	AP-120
Part number	<b>52500478</b>	<b>52500485</b>	<b>52500480</b>	<b>52500472</b>	<b>52500473</b>
Flow at rated pressure	47 l/min	60 l/min	82 l/min	108 l/min	125 l/min
Rated pressure	200 mbar	200 mbar	200 mbar	200 mbar	200 mbar
Operating range	100 to 300 mbar	100 to 300 mbar	100 to 300 mbar	140 to 300 mbar	160 to 300 mbar

## ELECTRICAL DATA

Motor type	Linear drive	Linear drive	Linear drive	Linear drive	Linear drive
Nominal Voltage	230V 50Hz	230V 50Hz	230V 50Hz	230V 50Hz	230V 50Hz
Consumption at rated pressure	0.26 A / 31 W	0.34 A / 41 W	0.8 A / 73 W	1.06 A / 99 W	1.45 A / 128 W
Efficiency at rated pressure	0.66 W/l	0.68 W/l	0.89 W/l	0.92 W/l	1.02 W/l

## GENERAL DATA

Ambient temperature	-10 to 40 °C	-10 to 40 °C	-10 to 40 °C	-10 to 40 °C	-10 to 40 °C
Weight	5.8 kg	5.8 kg	6.1 kg	6.1 kg	6.1 kg
Outlet diameter	18 mm	18 mm	18 mm	18 mm	18 mm
Average sound level	34 dB (A)	34 dB (A)	35 dB (A)	37 dB (A)	38 dB (A)

## SERVICE PARTS

Chamber block set <sup>1)</sup>	<b>700581</b>	<b>700581</b>	<b>700585</b>	<b>700585</b>	<b>700585</b>
Air filter and gasket kit	<b>700582</b>	<b>700582</b>	<b>700582</b>	<b>700582</b>	<b>700582</b>
Air filter kit	<b>700583</b>	<b>700583</b>	<b>700583</b>	<b>700583</b>	<b>700583</b>
Protective switch <sup>1)</sup>	<b>700586</b>	<b>700586</b>	<b>700586</b>	<b>700586</b>	<b>700586</b>

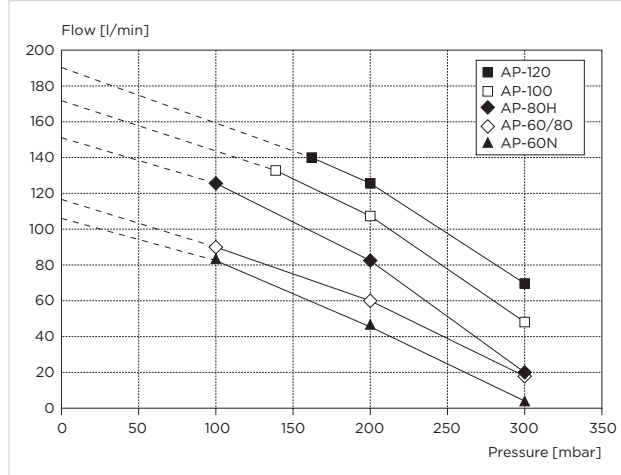
All listed values are measured at standard atmospheric conditions.

If 230V 60Hz is required, please consult factory

1) Denotes that service part is only available for trained service personnel.

Please refer to the operation manual for additional information.

## FLOW CURVES



Note: Operation outside specified operating range is not recommended.  
All listed values are measured at standard atmospheric conditions

## SERVICE PARTS

Chamber block set<sup>1)</sup> consists of:  
 2 x Pump head with valves  
 2 x Diaphragm assembly  
 2 x Diaphragm gasket  
 2 x Nut  
 2 x Washer

Air filter and gasket kit consists of:  
 1 x Air cleaner element  
 1 x Air cleaner gasket  
 1 x Cover plate gasket  
 1 x Noise absorbing net  
 1 x Tank gasket

Air filter kit consists of:  
 5 x Air cleaner element  
 5 x Air cleaner gasket

Protective switch<sup>1)</sup> consists of:  
 1 x Microswitch  
 2 x Nut  
 2 x Washer  
 1 x Cover plate gasket

## SUPPLIED AS STANDARD

Cable/Euro-plug  
 Air connector consists of (part number 700073)  
 1 x Outlet hose, angled, 170/50 mm  
 2 x Hose clamp

**5250...** Stock programme