

FEATURES/BENEFITS

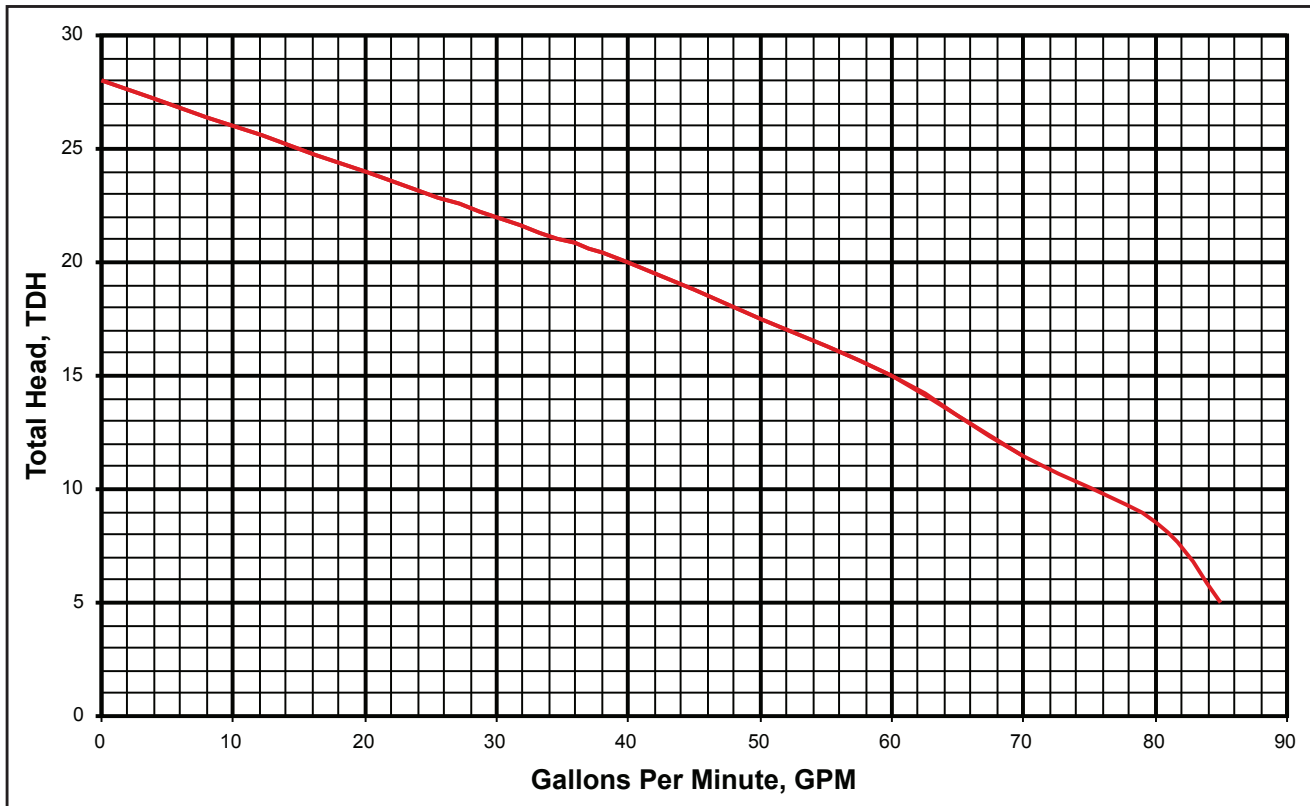
- High Efficient Motor With Upper & Lower Ball Bearings/ Runs Cooler & Last Longer
- Cast Iron Vortex Impeller/ Helps Prevent Clogging
- Inboard Seal-Rotating Components Of Seal Are In The Motor Housing, Lubricated By The Motor Oil/ Seal Will Last Longer If Pump Runs Dry, Hair And Debris Cannot Wrap Around Seal Components
- Secondary Exclusion Seal/ Keeps Debris From Entering Seal Cavity
- Sealed Entry-Replaceable Power Cord/ Easy To Replace In The Field, Prevents Water From Entering The Motor Housing Through A Cut Power Cord (Up to 50' Available)
- Piggy-Back Switch Design/ Defective Switches Can Be Diagnosed By Phone; Pump Can Be Operated Manually by Overriding The Switch
- Every Pump Is Tested in Water/ Ensures That The Pump Meets Head & Flow Requirements

APPLICATIONS

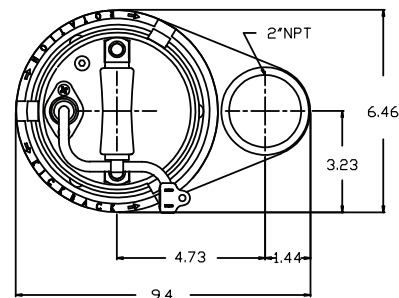
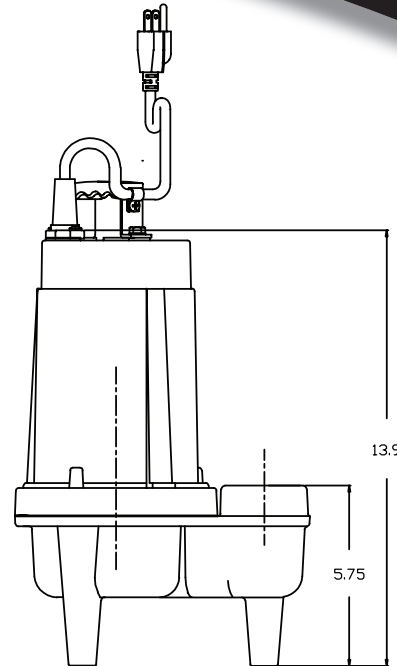
- Basements; Dewatering, Septic Systems, Truck Docks



CHAMPION PUMP - PUMP PERFORMANCE CURVE



DISCHARGE	2" NPT. Vertical
SOLIDS HANDLING	1.25"
LIQUID TEMPERATURE	140 Degrees F. (Intermittent)
MOTOR HOUSING	Cast Iron
VOLUTE	Cast Iron
SEAL PLATE	Cast Iron
IMPELLER	Cast Iron/Vortex
SHAFT	Stainless Steel
SHAFT SEAL	Inboard Mechanical With Secondary Exclusion V-Seal Carbon- Rotating Face Ceramic- Stationary Face Buna-N-Elastomer 300 Series Stainless Steel-Hardware
BEARING (UPPER & LOWER)	Single Row, Ball, Oil Lubricated
HARDWARE	300 Series Stainless Steel
SQUARE RINGS	Buna-N
CORD	(UL/CUL) Listed 16 AWG, Type SJTW 10' Length Standards. Up To 50' Available
CORD ENTRY	Compression Grommet- Outer Jacket Seal Quick Disconnect Pin Terminals
MOTOR (SINGLE PHASE)	1/2 HP, 3450 RPM, 60Hz NEMA L Includes Overload Protection In The Motor. Oil Filled, Class B Permanent Split Capacitor
WEIGHT	38lbs (Manual)



Model	HP	Volts	Phase	Amps	Cord Length	Switch
CPS5-11	1/2	115	1	8.0	10	Manual
CPS5-12	1/2	115	1	8.0	20	Manual
CPS5-22	1/2	230	1	4.0	20	Manual
CPS5-13	1/2	115	1	8.0	30	Manual
CPS5-15	1/2	115	1	8.0	50	Manual
CPS5A-11	1/2	115	1	8.0	10	Float
CPS5A-12	1/2	115	1	8.0	20	Float
CPS5A-22	1/2	230	1	4.0	20	Float
CPS5A-13	1/2	115	1	8.0	30	Float
CPS5V-11	1/2	115	1	8.0	10	Vertical Float
CPS5V-12	1/2	115	1	8.0	20	Vertical Float
CPS5V-22	1/2	230	1	4.0	20	Vertical Float